

 **BOEING**  
COMPONENT  
MAINTENANCE MANUAL

TO: ALL HOLDERS OF INBOARD TRAILING EDGE MAIN FLAP ASSEMBLY COMPONENT  
MAINTENANCE MANUAL 57-53-27

REVISION NO. 11 DATED MAR 01/05

HIGHLIGHTS

Pages which have been added or revised are outlined below together with the highlights of the revision. Remove and insert the affected pages as listed and enter Revision No. and date on the Record of Revision Sheet.

CHAPTER/SECTION

AND PAGE NO.

DESCRIPTION OF CHANGE

REPAIR 17-1  
601

Edited without technical change.

REPAIR 17-1  
602-603  
1007-10280

Updated shear tube inside diameter dimensions to reflect the engineering drawing.

**57-53-27**

HIGHLIGHTS

01.1

Page 1

Mar 01/05

## INBOARD TRAILING EDGE MAIN FLAP ASSEMBLY

PART NUMBERS 113T2201-1SP,-2SP,-9,-10,-11SP,  
-12SP,-17,-18,-19SP,  
-20SP,-21,-22,-23SP  
THRU -26SP,-27,-28,  
-29SP,-30SP,-35,-36,  
-37SP THRU -42SP,-45SP  
THRU -50SP,-401SP,-402SP,  
-403G,-404G,-405SP,-406SP

COMPONENT MAINTENANCE MANUAL  
WITH  
ILLUSTRATED PARTS LIST

**57-53-27**

TITLE PAGE

Page 1

Mar 01/04

01.1



REVISION RECORD

- Retain this record in front of manual. On receipt of revision, insert revised pages in the manual, and enter revision number, date inserted and initial.

REVISION NUMBER	REVISION DATE	DATE FILED	BY	REVISION NUMBER	REVISION DATE	DATE FILED	BY

**57-53-27**

REVISION RECORD

01

Page 1

Oct 01/87

TEMPORARY REVISION AND SERVICE BULLETIN

BOEING SERVICE BULLETIN	BOEING TEMPORARY REVISION	OTHER DIRECTIVE	DATE OF INCORPORATION INTO MANUAL
SB 51-0008		MC B1111-001 PRR A10004 PRR A10019 PRR A10520 PRR B11382 PRR B11528-2 PRR B11528	OCT 10/83 OCT 10/83 OCT 10/83 JAN 10/84 JAN 10/86 APR 10/87 APR 10/87
SB 57-0017 SB 57-0025R1			OCT 01/87 JUL 01/90 JUL 01/90
SB 767-57-0062	57-4	PRR B11816 PRR B11382-3 PRR B11528-3 PRR B12388-1 MC 1110MP6141 PRR B13100-2 PRR B12900-100	JUL 01/90 JUL 01/90 JUL 01/90 MAR 01/97 MAR 01/97 SEP 01/97 NOV 01/00 JUL 01/03
SB 767-57A0066R2 SB 767-57A0066R3 SB 767-57A0076 SB 767-27A0176		PRR B12901-95 PRR B12901-959 MRR 65700-022 MRR 65701-040S	MAR 01/04 MAR 01/04 JUL 01/04 JUL 01/04

**57-53-27**

TR &amp; SB RECORD

01.1

Page 1

Jul 01/04


**BOEING**  
 COMPONENT  
 MAINTENANCE MANUAL

PAGE	DATE	CODE	PAGE	DATE	CODE
57-53-27					
TITLE PAGE			REPAIR-GENERAL		
1	MAR 01/04	01.1	601	MAR 01/02	01.1
2	BLANK		602	JUL 01/98	01.1
REVISION RECORD			603	JUL 01/98	01.1
1	OCT 01/87	01	604	MAR 01/00	01.1
2	BLANK		REPAIR 1-1		
TR & SB RECORD			601	MAR 01/04	01.1
1	JUL 01/04	01.1	602	MAR 01/04	01.1
2	BLANK		603	MAR 01/04	01.1
LIST OF EFFECTIVE PAGES			604	MAR 01/04	01.1
*1	MAR 01/05	01	605	MAR 01/04	01.1
THRU LAST PAGE			606	MAR 01/04	01.1
CONTENTS			607	MAR 01/04	01.1
1	MAR 01/00	01.1	608	MAR 01/04	01.1
2	BLANK		REPAIR 1-2		
INTRODUCTION			601	MAR 01/04	01.1
1	OCT 01/87	01	602	MAR 01/04	01.101
2	BLANK		603	MAR 01/04	01.1
DESCRIPTION & OPERATION			604	MAR 01/04	01.1
1	OCT 01/87	01	REPAIR 2-2		
2	BLANK		601	MAR 01/04	01.1
DISASSEMBLY			602	MAR 01/04	01.1
301	MAR 01/04	01.1	603	MAR 01/04	01.1
302	JUL 01/03	01.1	604	MAR 01/04	01.1
CLEANING			605	MAR 01/04	01.1
401	JUL 01/03	01.1	606	MAR 01/04	01.1
402	BLANK		607	MAR 01/04	01.1
CHECK			608	MAR 01/04	01.1
501	JUL 01/98	01.1	REPAIR 3-1		
502	JUL 01/98	01.1	601	MAR 01/00	01.1
			602	BLANK	

\* = REVISED, ADDED OR DELETED

**57-53-27**EFFECTIVE PAGES  
CONTINUED Page 1  
01 Mar 01/05

PAGE	DATE	CODE	PAGE	DATE	CODE
REPAIR 4-1			REPAIR 8-1		
601	MAR 01/00	01.1	601	MAR 01/00	01.1
602	MAR 01/00	01.1	602	MAR 01/00	01.1
603	MAR 01/00	01.1	603	MAR 01/00	01.1
604	MAR 01/00	01.1	604	MAR 01/00	01.1
605	MAR 01/00	01.1	605	MAR 01/00	01.1
606	MAR 01/00	01.1	606	MAR 01/00	01.1
607	MAR 01/00	01.1	607	MAR 01/00	01.1
608	MAR 01/00	01.1	608	MAR 01/00	01.1
609	MAR 01/00	01.1			
610	BLANK		REPAIR 9-1		
REPAIR 5-1			601	MAR 01/00	01.1
601	MAR 01/00	01.1	602	MAR 01/00	01.1
602	MAR 01/00	01.1	REPAIR 10-1		
603	MAR 01/00	01.1	601	MAR 01/00	01.1
604	MAR 01/00	01.1	602	MAR 01/00	01.1
605	MAR 01/00	01.1	603	MAR 01/00	01.1
606	MAR 01/00	01.1	604	MAR 01/00	01.1
607	MAR 01/00	01.1	605	MAR 01/00	01.1
608	BLANK		606	MAR 01/00	01.1
REPAIR 6-1			607	MAR 01/00	01.1
601	MAR 01/00	01.1	608	BLANK	
602	MAR 01/00	01.1	REPAIR 11-1		
603	MAR 01/00	01.1	601	NOV 01/00	01.1
604	MAR 01/00	01.1	602	BLANK	
REPAIR 7-1			REPAIR 12-1		
601	MAR 01/04	01.1	601	MAR 01/04	01.1
602	MAR 01/04	01.1	602	MAR 01/04	01.1
603	MAR 01/04	01.1	603	MAR 01/04	01.1
604	MAR 01/04	01.1	604	MAR 01/04	01.1
605	MAR 01/04	01.1	REPAIR 12-2		
606	MAR 01/04	01.1	601	MAR 01/04	01.1
607	MAR 01/04	01.101	602	MAR 01/04	01.1
608	MAR 01/04	01.101	603	MAR 01/04	01.1
609	MAR 01/04	01.101	604	MAR 01/04	01.1
610	MAR 01/04	01.101	605	MAR 01/04	01.1
611	MAR 01/04	01.101	606	MAR 01/04	01.1
612	BLANK		607	MAR 01/04	01.1
			608	BLANK	

\* = REVISED, ADDED OR DELETED

**57-53-27**

 EFFECTIVE PAGES  
 CONTINUED Page 2  
 01 Mar 01/05


**BOEING**  
 COMPONENT  
 MAINTENANCE MANUAL

PAGE	DATE	CODE	PAGE	DATE	CODE
REPAIR 13-1			REPAIR 16-1		
601	MAR 01/00	01.1	601	JUL 01/98	01.1
602	MAR 01/00	01.1	602	JUL 01/98	01.1
REPAIR 14-1			603	JUL 01/98	01.1
601	JUL 01/03	01.1	604	BLANK	
602	JUL 01/03	01.1	REPAIR 17-1		
REPAIR 15-1			*601	MAR 01/05	01.1
601	JUL 01/03	01.1	*602	MAR 01/05	01.1
602	JUL 01/03	01.1	*603	MAR 01/05	01.1
603	JUL 01/03	01.1	604	BLANK	
604	JUL 01/03	01.1	ASSEMBLY		
605	JUL 01/03	01.1	701	JUL 01/03	01.1
606	JUL 01/03	01.1	702	JUL 01/03	01.1
607	JUL 01/03	01.1	703	JUL 01/03	01.1
608	JUL 01/03	01.1	704	MAR 01/04	01.101
609	JUL 01/03	01.1	705	MAR 01/04	01.1
610	JUL 01/03	01.1	706	MAR 01/04	01.101
611	JUL 01/03	01.1	707	MAR 01/04	01.101
612	JUL 01/03	01.1	708	JUL 01/03	01.101
613	JUL 01/03	01.1	709	MAR 01/04	01.101
614	JUL 01/03	01.1	710	JUL 01/03	01.1
615	JUL 01/03	01.1	711	JUL 01/03	01.1
616	JUL 01/03	01.1	712	JUL 01/03	01.1
617	JUL 01/03	01.1	713	MAR 01/04	01.1
618	JUL 01/03	01.1	714	JUL 01/03	01.1
619	JUL 01/03	01.1	715	JUL 01/03	01.1
620	JUL 01/03	01.1	716	JUL 01/03	01.1
621	JUL 01/03	01.1	717	JUL 01/03	01.1
622	JUL 01/03	01.1	718	JUL 01/04	01.101
623	JUL 01/03	01.1	719	JUL 01/04	01.1
624	JUL 01/03	01.1	720	JUL 01/04	01.101
625	JUL 01/03	01.1	721	JUL 01/04	01.101
626	JUL 01/03	01.1	722	BLANK	
627	JUL 01/03	01.1	FITS AND CLEARANCES		
628	JUL 01/03	01.1	801	OCT 01/87	01
629	JUL 01/03	01.1	802	JUL 01/03	01.1
630	JUL 01/03	01.1	803	JUL 01/03	01.1
631	JUL 01/03	01.1	804	JUL 01/03	01.1
632	BLANK		805	JUL 01/03	01.1
			806	OCT 01/87	01

\* = REVISED, ADDED OR DELETED

57-53-27

 EFFECTIVE PAGES  
 CONTINUED Page 3  
 01 Mar 01/05

PAGE	DATE	CODE	PAGE	DATE	CODE
FITS AND CLEARANCES			ILLUSTRATED PARTS LIST		
		CONT.			CONT.
807	MAR 01/00	01.1	*1020K	MAR 01/05	01.1
808	JUL 01/03	01.1	*1020L	MAR 01/05	01.1
809	JUL 01/03	01.1	*1020M	MAR 01/05	01.1
810	JUL 01/03	01.1	*1020N	MAR 01/05	01.1
811	JUL 01/03	01.1	*1020O	MAR 01/05	01.1
812	JUL 01/03	01.1	*1020P	MAR 01/05	01.1
813	JUL 01/03	01.1	*1020Q	MAR 01/05	01.1
814	JUL 01/03	01.1	*1020R	MAR 01/05	01.1
815	JUL 01/03	01.1	*1020S	MAR 01/05	01.1
816	JUL 01/03	01.1	*1020T	MAR 01/05	01.1
			*1020U	MAR 01/05	01.1
			*1020V	MAR 01/05	01.1
			*1020W	MAR 01/05	01.1
			*1020X	MAR 01/05	01.1
			*1020Y	MAR 01/05	01.1
			*1020Z	MAR 01/05	01.1
			*1021	MAR 01/05	01.1
			*1022	MAR 01/05	01.1
			*1022A	MAR 01/05	01.1
			*1022B	MAR 01/05	01.1
			*1022C	MAR 01/05	01.1
			*1022D	MAR 01/05	01.1
			*1022E	MAR 01/05	01.1
			*1022F	MAR 01/05	01.1
			*1022G	MAR 01/05	01.1
			*1022H	MAR 01/05	01.1
			*1022I	MAR 01/05	01.1
			*1022J	MAR 01/05	01.1
			*1022K	MAR 01/05	01.1
			*1022L	MAR 01/05	01.1
			*1022M	MAR 01/05	01.1
			*1022N	MAR 01/05	01.1
			*1022O	MAR 01/05	01.1
			*1022P	MAR 01/05	01.1
			*1022Q	MAR 01/05	01.1
			*1022R	MAR 01/05	01.1
			*1022S	MAR 01/05	01.1
			*1022T	MAR 01/05	01.1
			*1022U	MAR 01/05	01.1
			*1022V	MAR 01/05	01.1
			*1022W	MAR 01/05	01.1
			*1022X	MAR 01/05	01.1
ILLUSTRATED PARTS LIST					
1001	OCT 01/87	01			
1002	OCT 01/87	01			
1003	JUL 01/04	01.1			
1004	JUL 01/04	01.1			
1005	JUL 01/04	01.1			
1006	JUL 01/04	01.1			
*1007	MAR 01/05	01.1			
*1008	MAR 01/05	01.1			
*1009	MAR 01/05	01.1			
*1010	MAR 01/05	01.1			
*1011	MAR 01/05	01.1			
*1012	MAR 01/05	01.1			
*1013	MAR 01/05	01.1			
*1014	MAR 01/05	01.1			
*1015	MAR 01/05	01.1			
*1016	MAR 01/05	01.1			
*1017	MAR 01/05	01.1			
*1018	MAR 01/05	01.1			
*1019	MAR 01/05	01.1			
*1020	MAR 01/05	01.1			
*1020A	MAR 01/05	01.1			
*1020B	MAR 01/05	01.1			
*1020C	MAR 01/05	01.1			
*1020D	MAR 01/05	01.1			
*1020E	MAR 01/05	01.1			
*1020F	MAR 01/05	01.1			
*1020G	MAR 01/05	01.1			
*1020H	MAR 01/05	01.1			
*1020I	MAR 01/05	01.1			
*1020J	MAR 01/05	01.1			

\* = REVISED, ADDED OR DELETED

**57-53-27**

 EFFECTIVE PAGES  
 CONTINUED Page 4  
 01 Mar 01/05




**BOEING**  
 COMPONENT  
 MAINTENANCE MANUAL

PAGE	DATE	CODE	PAGE	DATE	CODE
ILLUSTRATED PARTS LIST		CONT.	ILLUSTRATED PARTS LIST		CONT.
*1022Y	MAR 01/05	01.1	*1026K	MAR 01/05	01.1
*1022Z	MAR 01/05	01.1	*1026L	MAR 01/05	01.1
*1023	MAR 01/05	01.1	*1026M	MAR 01/05	01.1
*1024	MAR 01/05	01.1	*1026N	MAR 01/05	01.1
*1024A	MAR 01/05	01.1	*1026O	MAR 01/05	01.1
*1024B	MAR 01/05	01.1	*1026P	MAR 01/05	01.1
*1024C	MAR 01/05	01.1	*1026Q	MAR 01/05	01.1
*1024D	MAR 01/05	01.1	*1026R	MAR 01/05	01.1
*1024E	MAR 01/05	01.1	*1026S	MAR 01/05	01.1
*1024F	MAR 01/05	01.1	*1026T	MAR 01/05	01.1
*1024G	MAR 01/05	01.1	*1026U	MAR 01/05	01.1
*1024H	MAR 01/05	01.1	*1026V	MAR 01/05	01.1
*1024I	MAR 01/05	01.1	*1026W	MAR 01/05	01.1
*1024J	MAR 01/05	01.1	*1026X	MAR 01/05	01.1
*1024K	MAR 01/05	01.1	*1026Y	MAR 01/05	01.1
*1024L	MAR 01/05	01.1	*1026Z	MAR 01/05	01.1
*1024M	MAR 01/05	01.1	*1027	MAR 01/05	01.1
*1024N	MAR 01/05	01.1	*1028	MAR 01/05	01.1
*1024O	MAR 01/05	01.1	*1028A	MAR 01/05	01.1
*1024P	MAR 01/05	01.1	*1028B	MAR 01/05	01.1
*1024Q	MAR 01/05	01.1	*1028C	MAR 01/05	01.1
*1024R	MAR 01/05	01.1	*1028D	MAR 01/05	01.1
*1024S	MAR 01/05	01.1	*1028E	MAR 01/05	01.1
*1024T	MAR 01/05	01.1	*1028F	MAR 01/05	01.1
*1024U	MAR 01/05	01.1	*1028G	MAR 01/05	01.1
*1024V	MAR 01/05	01.1	*1028H	MAR 01/05	01.1
*1024W	MAR 01/05	01.1	*1028I	MAR 01/05	01.1
*1024X	MAR 01/05	01.1	*1028J	MAR 01/05	01.1
*1024Y	MAR 01/05	01.1	*1028K	MAR 01/05	01.1
*1024Z	MAR 01/05	01.1	*1028L	MAR 01/05	01.1
*1025	MAR 01/05	01.1	*1028M	MAR 01/05	01.1
*1026	MAR 01/05	01.1	*1028N	MAR 01/05	01.1
*1026A	MAR 01/05	01.1	*1028O	MAR 01/05	01.1
*1026B	MAR 01/05	01.1	*1028P	BLANK	
*1026C	MAR 01/05	01.1	*1028Q	MAR 01/05	01.101
*1026D	MAR 01/05	01.1	*1028R	MAR 01/05	01.101
*1026E	MAR 01/05	01.1	*1028S	MAR 01/05	01.101
*1026F	MAR 01/05	01.1	*1028T	MAR 01/05	01.101
*1026G	MAR 01/05	01.1	*1028U	MAR 01/05	01.101
*1026H	MAR 01/05	01.1	*1028V	MAR 01/05	01.101
*1026I	MAR 01/05	01.1	*1028W	MAR 01/05	01.101
*1026J	MAR 01/05	01.1	*1028X	MAR 01/05	01.101

\* = REVISED, ADDED OR DELETED

57-53-27

EFFECTIVE PAGES

CONTINUED Page 5

01 Mar 01/05

PAGE	DATE	CODE	PAGE	DATE	CODE
ILLUSTRATED PARTS LIST		CONT.	ILLUSTRATED PARTS LIST		CONT.
*1028Y	MAR 01/05	01.101	*1032K	MAR 01/05	01.101
*1028Z	MAR 01/05	01.101	*1032L	MAR 01/05	01.101
*1029	MAR 01/05	01.101	*1032M	MAR 01/05	01.101
*1030	MAR 01/05	01.101	*1032N	MAR 01/05	01.101
*1030A	MAR 01/05	01.101	*1032O	MAR 01/05	01.101
*1030B	MAR 01/05	01.101	*1032P	MAR 01/05	01.101
*1030C	MAR 01/05	01.101	*1032Q	MAR 01/05	01.101
*1030D	MAR 01/05	01.101	*1032R	MAR 01/05	01.101
*1030E	MAR 01/05	01.101	*1032S	MAR 01/05	01.101
*1030F	MAR 01/05	01.101	*1032T	MAR 01/05	01.101
*1030G	MAR 01/05	01.101	*1032U	MAR 01/05	01.101
*1030H	MAR 01/05	01.101	*1032V	MAR 01/05	01.101
*1030I	MAR 01/05	01.101	*1032W	MAR 01/05	01.101
*1030J	MAR 01/05	01.101	*1032X	MAR 01/05	01.101
*1030K	MAR 01/05	01.101	*1032Y	MAR 01/05	01.101
*1030L	MAR 01/05	01.101	*1032Z	MAR 01/05	01.101
*1030M	MAR 01/05	01.101	*1033	MAR 01/05	01.101
*1030N	MAR 01/05	01.101	*1034	MAR 01/05	01.101
*1030O	MAR 01/05	01.101	*1034A	MAR 01/05	01.101
*1030P	MAR 01/05	01.101	*1034B	MAR 01/05	01.101
*1030Q	MAR 01/05	01.101	*1034C	MAR 01/05	01.101
*1030R	MAR 01/05	01.101	*1034D	MAR 01/05	01.101
*1030S	MAR 01/05	01.101	*1034E	MAR 01/05	01.101
*1030T	MAR 01/05	01.101	*1034F	MAR 01/05	01.101
*1030U	MAR 01/05	01.101	*1034G	MAR 01/05	01.101
*1030V	MAR 01/05	01.101	*1034H	MAR 01/05	01.101
*1030W	MAR 01/05	01.101	*1034I	MAR 01/05	01.101
*1030X	MAR 01/05	01.101	*1034J	MAR 01/05	01.101
*1030Y	MAR 01/05	01.101	*1034K	MAR 01/05	01.101
*1030Z	MAR 01/05	01.101	*1034L	MAR 01/05	01.101
*1031	MAR 01/05	01.101	*1034M	MAR 01/05	01.101
*1032	MAR 01/05	01.101	*1034N	MAR 01/05	01.101
*1032A	MAR 01/05	01.101	*1034O	MAR 01/05	01.101
*1032B	MAR 01/05	01.101	*1034P	MAR 01/05	01.101
*1032C	MAR 01/05	01.101	*1034Q	MAR 01/05	01.101
*1032D	MAR 01/05	01.101	*1034R	MAR 01/05	01.101
*1032E	MAR 01/05	01.101	*1034S	MAR 01/05	01.101
*1032F	MAR 01/05	01.101	*1034T	MAR 01/05	01.101
*1032G	MAR 01/05	01.101	*1034U	MAR 01/05	01.101
*1032H	MAR 01/05	01.101	*1034V	MAR 01/05	01.101
*1032I	MAR 01/05	01.101	*1034W	MAR 01/05	01.101
*1032J	MAR 01/05	01.101	*1034X	MAR 01/05	01.101

\* = REVISED, ADDED OR DELETED

# 57-53-27

EFFECTIVE PAGES  
 CONTINUED Page 6  
 01 Mar 01/05


**BOEING**  
 COMPONENT  
 MAINTENANCE MANUAL

PAGE	DATE	CODE	PAGE	DATE	CODE
ILLUSTRATED PARTS LIST		CONT.	ILLUSTRATED PARTS LIST		CONT.
*1034Y	MAR 01/05	01.101	*1038K	MAR 01/05	01.101
*1034Z	MAR 01/05	01.101	*1038L	MAR 01/05	01.101
*1035	MAR 01/05	01.101	*1038M	MAR 01/05	01.101
*1036	MAR 01/05	01.101	*1038N	MAR 01/05	01.101
*1036A	MAR 01/05	01.101	*1038O	MAR 01/05	01.101
*1036B	MAR 01/05	01.101	*1038P	MAR 01/05	01.101
*1036C	MAR 01/05	01.101	*1038Q	MAR 01/05	01.101
*1036D	MAR 01/05	01.101	*1038R	MAR 01/05	01.101
*1036E	MAR 01/05	01.101	*1038S	MAR 01/05	01.101
*1036F	MAR 01/05	01.101	*1038T	MAR 01/05	01.101
*1036G	MAR 01/05	01.101	*1038U	MAR 01/05	01.101
*1036H	MAR 01/05	01.101	*1038V	MAR 01/05	01.101
*1036I	MAR 01/05	01.101	*1038W	MAR 01/05	01.101
*1036J	MAR 01/05	01.101	*1038X	MAR 01/05	01.101
*1036K	MAR 01/05	01.101	*1038Y	MAR 01/05	01.101
*1036L	MAR 01/05	01.101	*1038Z	MAR 01/05	01.101
*1036M	MAR 01/05	01.101	*1039	MAR 01/05	01.101
*1036N	MAR 01/05	01.101	*1040	MAR 01/05	01.101
*1036O	MAR 01/05	01.101	*1040A	MAR 01/05	01.101
*1036P	MAR 01/05	01.101	*1040B	MAR 01/05	01.101
*1036Q	MAR 01/05	01.101	*1040C	MAR 01/05	01.101
*1036R	MAR 01/05	01.101	*1040D	MAR 01/05	01.101
*1036S	MAR 01/05	01.101	*1040E	MAR 01/05	01.101
*1036T	MAR 01/05	01.101	*1040F	MAR 01/05	01.101
*1036U	MAR 01/05	01.101	*1040G	MAR 01/05	01.101
*1036V	MAR 01/05	01.101	*1040H	MAR 01/05	01.101
*1036W	MAR 01/05	01.101	*1040I	MAR 01/05	01.101
*1036X	MAR 01/05	01.101	*1040J	MAR 01/05	01.101
*1036Y	MAR 01/05	01.101	*1040K	MAR 01/05	01.101
*1036Z	MAR 01/05	01.101	*1040L	MAR 01/05	01.101
*1037	MAR 01/05	01.101	*1040M	MAR 01/05	01.101
*1038	MAR 01/05	01.101	*1040N	MAR 01/05	01.101
*1038A	MAR 01/05	01.101	*1040O	MAR 01/05	01.101
*1038B	MAR 01/05	01.101	*1040P	MAR 01/05	01.101
*1038C	MAR 01/05	01.101	*1040Q	MAR 01/05	01.101
*1038D	MAR 01/05	01.101	*1040R	MAR 01/05	01.101
*1038E	MAR 01/05	01.101	*1040S	MAR 01/05	01.101
*1038F	MAR 01/05	01.101	*1040T	MAR 01/05	01.101
*1038G	MAR 01/05	01.101	*1040U	MAR 01/05	01.101
*1038H	MAR 01/05	01.101	*1040V	MAR 01/05	01.101
*1038I	MAR 01/05	01.101	*1040W	MAR 01/05	01.101
*1038J	MAR 01/05	01.101	*1040X	MAR 01/05	01.101

\* = REVISED, ADDED OR DELETED

**57-53-27**

EFFECTIVE PAGES

CONTINUED Page 7

01 Mar 01/05

PAGE	DATE	CODE	PAGE	DATE	CODE
ILLUSTRATED PARTS LIST		CONT.	ILLUSTRATED PARTS LIST		CONT.
*1040Y	MAR 01/05	01.101	*1044K	MAR 01/05	01.101
*1040Z	MAR 01/05	01.101	*1044L	MAR 01/05	01.101
*1041	MAR 01/05	01.101	*1044M	MAR 01/05	01.101
*1042	MAR 01/05	01.101	*1044N	MAR 01/05	01.101
*1042A	MAR 01/05	01.101	*1044O	MAR 01/05	01.101
*1042B	MAR 01/05	01.101	*1044P	MAR 01/05	01.101
*1042C	MAR 01/05	01.101	*1044Q	MAR 01/05	01.101
*1042D	MAR 01/05	01.101	*1044R	MAR 01/05	01.101
*1042E	MAR 01/05	01.101	*1044S	MAR 01/05	01.101
*1042F	MAR 01/05	01.101	*1044T	MAR 01/05	01.101
*1042G	MAR 01/05	01.101	*1044U	MAR 01/05	01.101
*1042H	MAR 01/05	01.101	*1044V	MAR 01/05	01.101
*1042I	MAR 01/05	01.101	*1044W	MAR 01/05	01.101
*1042J	MAR 01/05	01.101	*1044X	MAR 01/05	01.101
*1042K	MAR 01/05	01.101	*1044Y	MAR 01/05	01.101
*1042L	MAR 01/05	01.101	*1044Z	MAR 01/05	01.101
*1042M	MAR 01/05	01.101	*1045	MAR 01/05	01.101
*1042N	MAR 01/05	01.101	*1046	MAR 01/05	01.101
*1042O	MAR 01/05	01.101	*1046A	MAR 01/05	01.101
*1042P	MAR 01/05	01.101	*1046B	MAR 01/05	01.101
*1042Q	MAR 01/05	01.101	*1046C	MAR 01/05	01.101
*1042R	MAR 01/05	01.101	*1046D	MAR 01/05	01.101
*1042S	MAR 01/05	01.101	*1046E	MAR 01/05	01.101
*1042T	MAR 01/05	01.101	*1046F	MAR 01/05	01.101
*1042U	MAR 01/05	01.101	*1046G	MAR 01/05	01.101
*1042V	MAR 01/05	01.101	*1046H	MAR 01/05	01.101
*1042W	MAR 01/05	01.101	*1046I	MAR 01/05	01.101
*1042X	MAR 01/05	01.101	*1046J	MAR 01/05	01.101
*1042Y	MAR 01/05	01.101	*1046K	MAR 01/05	01.101
*1042Z	MAR 01/05	01.101	*1046L	MAR 01/05	01.101
*1043	MAR 01/05	01.101	*1046M	MAR 01/05	01.101
*1044	BLANK		*1046N	MAR 01/05	01.101
*1044A	MAR 01/05	01.101	*1046O	MAR 01/05	01.101
*1044B	MAR 01/05	01.101	*1046P	MAR 01/05	01.101
*1044C	MAR 01/05	01.101	*1046Q	MAR 01/05	01.101
*1044D	MAR 01/05	01.101	*1046R	MAR 01/05	01.101
*1044E	MAR 01/05	01.101	*1046S	BLANK	
*1044F	MAR 01/05	01.101	*1046T	MAR 01/05	01.101
*1044G	MAR 01/05	01.101	*1046U	MAR 01/05	01.101
*1044H	MAR 01/05	01.101	*1046V	MAR 01/05	01.101
*1044I	MAR 01/05	01.101	*1046W	MAR 01/05	01.101
*1044J	MAR 01/05	01.101	*1046X	MAR 01/05	01.101

\* = REVISED, ADDED OR DELETED

**57-53-27**

 EFFECTIVE PAGES  
 CONTINUED Page 8  
 01 Mar 01/05


**BOEING**  
 COMPONENT  
 MAINTENANCE MANUAL

PAGE	DATE	CODE	PAGE	DATE	CODE
ILLUSTRATED PARTS LIST		CONT.	ILLUSTRATED PARTS LIST		CONT.
*1046Y	MAR 01/05	01.101	*1050K	MAR 01/05	01.101
*1046Z	MAR 01/05	01.101	*1050L	MAR 01/05	01.101
*1047	MAR 01/05	01.101	*1050M	MAR 01/05	01.101
*1048	MAR 01/05	01.101	*1050N	MAR 01/05	01.101
*1048A	MAR 01/05	01.101	*1050O	MAR 01/05	01.101
*1048B	MAR 01/05	01.101	*1050P	MAR 01/05	01.101
*1048C	MAR 01/05	01.101	*1050Q	MAR 01/05	01.101
*1048D	MAR 01/05	01.101	*1050R	MAR 01/05	01.101
*1048E	MAR 01/05	01.101	*1050S	MAR 01/05	01.101
*1048F	MAR 01/05	01.101	*1050T	MAR 01/05	01.101
*1048G	MAR 01/05	01.101	*1050U	MAR 01/05	01.101
*1048H	MAR 01/05	01.101	*1050V	MAR 01/05	01.101
*1048I	MAR 01/05	01.101	*1050W	MAR 01/05	01.101
*1048J	MAR 01/05	01.101	*1050X	MAR 01/05	01.101
*1048K	MAR 01/05	01.101	*1050Y	MAR 01/05	01.101
*1048L	MAR 01/05	01.101	*1050Z	MAR 01/05	01.101
*1048M	MAR 01/05	01.101	*1051	MAR 01/05	01.101
*1048N	MAR 01/05	01.101	*1052	MAR 01/05	01.101
*1048O	MAR 01/05	01.101	*1052A	MAR 01/05	01.101
*1048P	MAR 01/05	01.101	*1052B	MAR 01/05	01.101
*1048Q	MAR 01/05	01.101	*1052C	MAR 01/05	01.101
*1048R	MAR 01/05	01.101	*1052D	MAR 01/05	01.101
*1048S	MAR 01/05	01.101	*1052E	MAR 01/05	01.101
*1048T	MAR 01/05	01.101	*1052F	MAR 01/05	01.101
*1048U	BLANK		*1052G	MAR 01/05	01.101
*1048V	MAR 01/05	01.101	*1052H	MAR 01/05	01.101
*1048W	MAR 01/05	01.101	*1052I	MAR 01/05	01.101
*1048X	MAR 01/05	01.101	*1052J	MAR 01/05	01.101
*1048Y	MAR 01/05	01.101	*1052K	MAR 01/05	01.101
*1048Z	MAR 01/05	01.101	*1052L	MAR 01/05	01.101
*1049	MAR 01/05	01.101	*1052M	MAR 01/05	01.101
*1050	MAR 01/05	01.101	*1052N	MAR 01/05	01.101
*1050A	MAR 01/05	01.101	*1052O	MAR 01/05	01.101
*1050B	MAR 01/05	01.101	*1052P	MAR 01/05	01.101
*1050C	MAR 01/05	01.101	*1052Q	MAR 01/05	01.101
*1050D	MAR 01/05	01.101	*1052R	MAR 01/05	01.101
*1050E	MAR 01/05	01.101	*1052S	MAR 01/05	01.101
*1050F	MAR 01/05	01.101	*1052T	MAR 01/05	01.101
*1050G	MAR 01/05	01.101	*1052U	MAR 01/05	01.101
*1050H	MAR 01/05	01.101	*1052V	MAR 01/05	01.101
*1050I	MAR 01/05	01.101	*1052W	MAR 01/05	01.101
*1050J	MAR 01/05	01.101	*1052X	MAR 01/05	01.101

\* = REVISED, ADDED OR DELETED

57-53-27

EFFECTIVE PAGES

CONTINUED Page 9

01 Mar 01/05

PAGE	DATE	CODE	PAGE	DATE	CODE
ILLUSTRATED PARTS LIST		CONT.	ILLUSTRATED PARTS LIST		CONT.
*1052Y	MAR 01/05	01.101	*1056K	MAR 01/05	01.101
*1052Z	MAR 01/05	01.101	*1056L	MAR 01/05	01.101
*1053	MAR 01/05	01.101	*1056M	MAR 01/05	01.101
*1054	MAR 01/05	01.101	*1056N	MAR 01/05	01.101
*1054A	MAR 01/05	01.101	*1056O	MAR 01/05	01.101
*1054B	MAR 01/05	01.101	*1056P	MAR 01/05	01.101
*1054C	MAR 01/05	01.101	*1056Q	MAR 01/05	01.101
*1054D	MAR 01/05	01.101	*1056R	MAR 01/05	01.101
*1054E	MAR 01/05	01.101	*1056S	MAR 01/05	01.101
*1054F	MAR 01/05	01.101	*1056T	MAR 01/05	01.101
*1054G	MAR 01/05	01.101	*1056U	MAR 01/05	01.101
*1054H	MAR 01/05	01.101	*1056V	MAR 01/05	01.101
*1054I	MAR 01/05	01.101	*1056W	MAR 01/05	01.101
*1054J	MAR 01/05	01.101	*1056X	MAR 01/05	01.101
*1054K	MAR 01/05	01.101	*1056Y	MAR 01/05	01.101
*1054L	MAR 01/05	01.101	*1056Z	MAR 01/05	01.101
*1054M	MAR 01/05	01.101	*1057	MAR 01/05	01.101
*1054N	MAR 01/05	01.101	*1058	MAR 01/05	01.101
*1054O	MAR 01/05	01.101	*1058A	MAR 01/05	01.101
*1054P	MAR 01/05	01.101	*1058B	MAR 01/05	01.101
*1054Q	MAR 01/05	01.101	*1058C	MAR 01/05	01.101
*1054R	MAR 01/05	01.101	*1058D	MAR 01/05	01.101
*1054S	MAR 01/05	01.101	*1058E	MAR 01/05	01.101
*1054T	MAR 01/05	01.101	*1058F	MAR 01/05	01.101
*1054U	MAR 01/05	01.101	*1058G	MAR 01/05	01.101
*1054V	MAR 01/05	01.101	*1058H	MAR 01/05	01.101
*1054W	MAR 01/05	01.101	*1058I	MAR 01/05	01.101
*1054X	MAR 01/05	01.101	*1058J	MAR 01/05	01.101
*1054Y	MAR 01/05	01.101	*1058K	MAR 01/05	01.101
*1054Z	MAR 01/05	01.101	*1058L	MAR 01/05	01.101
*1055	MAR 01/05	01.101	*1058M	MAR 01/05	01.101
*1056	MAR 01/05	01.101	*1058N	MAR 01/05	01.101
*1056A	MAR 01/05	01.101	*1058O	MAR 01/05	01.101
*1056B	MAR 01/05	01.101	*1058P	MAR 01/05	01.101
*1056C	MAR 01/05	01.101	*1058Q	MAR 01/05	01.101
*1056D	MAR 01/05	01.101	*1058R	MAR 01/05	01.101
*1056E	MAR 01/05	01.101	*1058S	MAR 01/05	01.101
*1056F	MAR 01/05	01.101	*1058T	MAR 01/05	01.101
*1056G	MAR 01/05	01.101	*1058U	MAR 01/05	01.101
*1056H	MAR 01/05	01.101	*1058V	MAR 01/05	01.101
*1056I	MAR 01/05	01.101	*1058W	MAR 01/05	01.101
*1056J	MAR 01/05	01.101	*1058X	MAR 01/05	01.101

\* = REVISED, ADDED OR DELETED

# 57-53-27

EFFECTIVE PAGES  
 CONTINUED Page 10  
 01 Mar 01/05



**BOEING**  
 COMPONENT  
 MAINTENANCE MANUAL

PAGE	DATE	CODE	PAGE	DATE	CODE
ILLUSTRATED PARTS LIST		CONT.	ILLUSTRATED PARTS LIST		CONT.
*1058Y	MAR 01/05	01.101	*1062K	MAR 01/05	01.101
*1058Z	MAR 01/05	01.101	*1062L	MAR 01/05	01.101
*1059	MAR 01/05	01.101	*1062M	MAR 01/05	01.101
*1060	MAR 01/05	01.101	*1062N	MAR 01/05	01.101
*1060A	MAR 01/05	01.101	*1062O	MAR 01/05	01.101
*1060B	MAR 01/05	01.101	*1062P	MAR 01/05	01.101
*1060C	MAR 01/05	01.101	*1062Q	MAR 01/05	01.101
*1060D	MAR 01/05	01.101	*1062R	MAR 01/05	01.101
*1060E	MAR 01/05	01.101	*1062S	MAR 01/05	01.101
*1060F	BLANK		*1062T	MAR 01/05	01.101
*1060G	MAR 01/05	01.101	*1062U	MAR 01/05	01.101
*1060H	MAR 01/05	01.101	*1062V	MAR 01/05	01.101
*1060I	MAR 01/05	01.101	*1062W	MAR 01/05	01.101
*1060J	MAR 01/05	01.101	*1062X	MAR 01/05	01.101
*1060K	MAR 01/05	01.101	*1062Y	MAR 01/05	01.101
*1060L	MAR 01/05	01.101	*1062Z	MAR 01/05	01.101
*1060M	MAR 01/05	01.101	*1063	MAR 01/05	01.101
*1060N	MAR 01/05	01.101	*1064	MAR 01/05	01.101
*1060O	MAR 01/05	01.101	*1064A	MAR 01/05	01.101
*1060P	MAR 01/05	01.101	*1064B	MAR 01/05	01.101
*1060Q	MAR 01/05	01.101	*1064C	MAR 01/05	01.101
*1060R	MAR 01/05	01.101	*1064D	MAR 01/05	01.101
*1060S	MAR 01/05	01.101	*1064E	MAR 01/05	01.101
*1060T	MAR 01/05	01.101	*1064F	MAR 01/05	01.101
*1060U	MAR 01/05	01.101	*1064G	MAR 01/05	01.101
*1060V	MAR 01/05	01.101	*1064H	MAR 01/05	01.101
*1060W	MAR 01/05	01.101	*1064I	MAR 01/05	01.101
*1060X	MAR 01/05	01.101	*1064J	MAR 01/05	01.101
*1060Y	MAR 01/05	01.101	*1064K	MAR 01/05	01.101
*1060Z	MAR 01/05	01.101	*1064L	MAR 01/05	01.101
*1061	MAR 01/05	01.101	*1064M	MAR 01/05	01.101
*1062	MAR 01/05	01.101	*1064N	MAR 01/05	01.101
*1062A	MAR 01/05	01.101	*1064O	MAR 01/05	01.101
*1062B	MAR 01/05	01.101	*1064P	MAR 01/05	01.101
*1062C	MAR 01/05	01.101	*1064Q	MAR 01/05	01.101
*1062D	MAR 01/05	01.101	*1064R	MAR 01/05	01.101
*1062E	MAR 01/05	01.101	*1064S	MAR 01/05	01.101
*1062F	MAR 01/05	01.101	*1064T	MAR 01/05	01.101
*1062G	MAR 01/05	01.101	*1064U	MAR 01/05	01.101
*1062H	MAR 01/05	01.101	*1064V	MAR 01/05	01.101
*1062I	MAR 01/05	01.101	*1064W	MAR 01/05	01.101
*1062J	MAR 01/05	01.101	*1064X	MAR 01/05	01.101

\* = REVISED, ADDED OR DELETED

**57-53-27**

EFFECTIVE PAGES  
 CONTINUED Page 11  
 01 Mar 01/05

PAGE	DATE	CODE	PAGE	DATE	CODE
ILLUSTRATED	PARTS LIST	CONT.			
*1064Y	MAR 01/05	01.101			
*1064Z	MAR 01/05	01.101			
*1065	BLANK				
*1066	MAR 01/05	01.101			
*1066A	MAR 01/05	01.101			
*1066B	MAR 01/05	01.101			
*1066C	MAR 01/05	01.101			
*1066D	MAR 01/05	01.101			
*1066E	MAR 01/05	01.101			
*1066F	MAR 01/05	01.101			
*1066G	MAR 01/05	01.101			
*1066H	MAR 01/05	01.101			
*1066I	MAR 01/05	01.101			
*1066J	MAR 01/05	01.101			
*1066K	MAR 01/05	01.101			
*1066L	MAR 01/05	01.101			
*1066M	MAR 01/05	01.101			
*1066N	MAR 01/05	01.101			
*1066O	MAR 01/05	01.101			
*1066P	MAR 01/05	01.101			
*1066Q	MAR 01/05	01.101			
*1066R	MAR 01/05	01.101			
*1066S	MAR 01/05	01.101			
*1066T	MAR 01/05	01.101			

\* = REVISED, ADDED OR DELETED

# 57-53-27

EFFECTIVE PAGES  
 LAST PAGE Page 12  
 01 Mar 01/05





TABLE OF CONTENTS

<u>Paragraph Title</u>	<u>Page</u>
Description and Operation. . . . .	1
Testing and Fault Isolation (not applicable)	
Disassembly. . . . .	301
Cleaning . . . . .	401
Check. . . . .	501
Repair . . . . .	601
Assembly . . . . .	701
Fits and Clearances. . . . .	801
Special Tools (not applicable)	
Illustrated Parts List . . . . .	1001

**57-53-27**

CONTENTS

01.1

Page 1

Mar 01/00



## INTRODUCTION

The instructions in this manual provide the information necessary to perform maintenance functions ranging from simple checks and replacement to complete shop-type repair.

This manual is divided into separate sections:

- |  |                              |
|--|------------------------------|
| 1. Title Page                                      | 4. List of Effective Pages   |
| 2. Record of Revisions                             | 5. Table of Contents         |
| 3. Temporary Revision &<br>Service Bulletin Record | 6. Introduction              |
|  | 7. Procedures & IPL Sections |

Refer to the Table of Contents for the page location of applicable sections. An asterisked flagnote \*[ ] in place of the page number indicates that no special instructions are provided since the function can be performed using standard industry practices.

The beginning of the REPAIR section includes a list of the separate repairs, a list of applicable standard Boeing practices, and an explanation of the True Position Dimensioning symbols used.

An explanation of the use of the Illustrated Parts List is provided in the Introduction to that section.

All weights and measurements used in the manual are in English units, unless otherwise stated. When metric equivalents are given they will be in parentheses following the English units.

Design changes, optional parts, configuration differences and Service Bulletin modifications create alternate part numbers. These are identified in the Illustrated Parts List (IPL) by adding an alphabetical character to the basic item number. The resulting item number is called an alpha-variant. Throughout the manual, IPL basic item number references also apply to alpha-variants unless otherwise indicated.

Verification:

Assembly

**57-53-27**

INTRODUCTION

01

Page 1

Oct 01/87



INBOARD TRAILING EDGE MAIN FLAP ASSEMBLY

DESCRIPTION AND OPERATION

1. Description

A. The inboard trailing edge main flap assembly is comprised of five rib installations and three spar installations held together by bonded aluminum panel assemblies. Attached to the main structure are two track assemblies, a torque tube assembly, a pair of outboard hinge fitting assemblies, an inboard hinge fitting assembly, two bellcrank assemblies, a link assembly, a strut assembly, and a pushrod assembly.

2. Operation

A. The inboard trailing edge main flap assembly is a component of the inboard trailing edge flap, which along with its other components increases lift at slow speed during landing and takeoff.

3. Leading Particulars (Approximate)

- A. Length -- 212 inches
- B. Width -- 49 inches
- C. Thickness -- 22 inches
- D. Weight -- 403 pounds

57-53-27

DESCRIPTION & OPERATION

01

Page 1

Oct 01/87


**BOEING**  
 COMPONENT  
 MAINTENANCE MANUAL
DISASSEMBLY

**NOTE:** Disassemble this component only as necessary to isolate faults, find the serviceability of parts, do the repairs and put the unit back in serviceable condition.

1. Use standard industry practices and these steps.
2. Remove fitting assemblies (303A, 307A; 303A, 310A; 305A, 309A; 305A, 310G).

**CAUTION:** FITTING ASSEMBLIES (303A, 307A; 303A, 310; 305A, 309A; 305A, 310G, IPL FIG. 1; 303, 307; 305, 309, IPL Fig. 6; 308, 312; 308A, 312A; 308B, 312B; 308C, 312C, 310, 314; 310A, 314A; 310B, 314B; 310C, 314C, IPL Fig. 7) ARE MATCHED SETS AND MUST BE KEPT TOGETHER.

3. Make a note of the thickness of the shims to help during assembly.
4. Remove the collar fitting assembly (15A, IPL Fig. 1; 15, IPL Fig. 6; 16, IPL Fig. 7), torque tube assembly (35, IPL Fig. 2; 44, IPL Fig. 8), shear tube (29, IPL Fig. 2; 35, IPL Fig. 8), and splined bushing assembly (17A, IPL Fig. 2; 20, IPL Fig. 8), from torque box assembly (1, 5, IPL Fig. 2; 1, 5, IPL Fig. 8) as follows:

**CAUTION:** COLLAR FITTING ASSEMBLY (15A, IPL FIG. 1; 15, IPL FIG. 6; 16, IPL FIG. 7) CONSISTS OF PARTS THAT ARE A MATCHED SET. DO NOT SEPARATE.

- A. Remove the collar fitting assembly (15A, IPL Fig. 1; 15, IPL Fig. 6; 16, IPL Fig. 7), nut (13, IPL Fig. 1; 7, IPL Fig. 6; 14, IPL Fig. 7), washer (8, 9, 11, IPL Fig. 1; 9, 11, 29, IPL Fig. 6; 8, 10, 12, IPL Fig. 7), seals (23, 25, IPL Fig. 1; 13, 27, IPL Fig. 6; 28, 30, IPL Fig. 7) from the torque tube assembly (35, IPL Fig. 2; 44, IPL Fig. 8). Keep the parts of the collar assembly (15A, IPL Fig. 1; 15, IPL Fig. 6; 16, IPL Fig. 7) together as a matched set.

57-53-27

DISASSEMBLY

01.1

Page 301

Mar 01/04

- B. Remove the bolts (7A, IPL Fig. 2; 8, IPL Fig. 8), washers (9, 11, IPL Fig. 2; 11, 14, IPL Fig. 8), and the nuts (13, IPL Fig. 2; 17, IPL Fig. 8) from the rib assembly (52, IPL Fig. 2; 80, IPL Fig. 8).
- C. Remove the torque tube and attached structure from the torque box assembly (1, 5, IPL Fig. 2; 1, 5, IPL Fig. 8).
- D. Remove the cotter pin (27, IPL Fig. 2; 32, IPL Fig. 8), nut (33, IPL Fig. 2; 41, IPL Fig. 8), and washer (31, IPL Fig. 2; 38, IPL Fig. 8) from the shear tube (29, IPL Fig. 2; 35, IPL Fig. 8).
- E. Remove the shear tube (29, IPL Fig. 2; 35, IPL Fig. 8) from the torque tube assembly (35, IPL Fig. 2; 44, IPL Fig. 8).

**CAUTION:** SPLINED BUSHING ASSEMBLY (17A, IPL FIG. 2; 20, IPL FIG. 8) CONSISTS OF PARTS THAT ARE A MATCHED SET. DO NOT SEPARATE.

- F. Remove the fitting assembly (15B, IPL Fig. 2), shims (21, 22, IPL Fig. 2; 23, IPL Fig. 8), seals (23, 25, IPL Fig. 2; 26, 29, IPL Fig. 8) and the splined bushing assembly (17A, IPL Fig. 2; 20, IPL Fig. 8). Keep the parts of the bushing assembly (17A, IPL Fig. 2; 20, IPL Fig. 8) together as a matched set.

**57-53-27**

DISASSEMBLY

01.1

Page 302

Jul 01/03



CLEANING

**CAUTION:** DO NOT VAPOR DEGREASE GRAPHITE/ARAMID EPOXY STRUCTURES WITH CHLORINATED CLEANING AGENTS SUCH AS METHYLENE CHLORIDE, TRICHLOROETHYLENE, AND TRICHLOROETHANE. CHLORINATED CLEANING AGENTS WILL CAUSE DAMAGE TO GRAPHITE/ARAMID EPOXY STRUCTURES.

DO NOT SOAK PARTS IN THE SOLVENT OR LET THE SOLVENT STAY ON THE PARTS.

1. Clean all parts by standard industry practices and the procedures in SOPM 20-30-03.

**57-53-27**

01.1  
CLEANING  
Page 401  
Jul 01/03

CHECK

1. Visually examine all parts for defects by standard industry practices. Refer to Fits and Clearances for design and wear limits. Do the magnetic particle check, penetrant check, and ultrasonic check only if the visual check finds possible defects.
2. Flap Assembly (IPL Fig. 1)
  - A. Magnetic particle check per SOPM 20-20-01 -- Washers (8, 9, 11), fittings (19, 21, 22, 22G), nut (13), stops (71, 109), insert (173, 281), bolt (177), fitting (274), and tracks (99, 101, 137, 139).
  - B. Penetrant Check per SOPM 20-20-02 -- Tubes (175, 283), bellcranks (205, 206, 207, 208), fittings (247, 248, 393, 394, 395, 396, 473, 474, 475, 476), supports (443, 445), retainers (693, 694, 695, 712A, 712G, 713, 714), ribs (817, 819, 917, 919, 921, 923), and doors (947, 973).
3. Box Assembly (IPL Fig. 2)
  - A. Magnetic particle check per SOPM 20-20-01 -- Bushings (18, 19A), tubes (29, 41), and washer (31).
  - B. Penetrant check per SOPM 20-20-02 -- Fittings (15K, 15N, 16, 533, 535, 537, 539, 657, 659, 671), ribs (99A, 101A, 103A, 105A, 325, 326, 327, 329, 341, 343, 453, 455, 457, 459), and chords (737, 739, 741, 743).
4. Spar Installation (IPL Fig. 4)
  - A. Penetrant check per SOPM 20-20-02 -- Fittings (35, 40, 45, 50, 95, 100, 155, 160, 205, 210, 290, 295, 315, 320, 355), plates (245, 250), chords (485, 490, 495, 500).
5. Spar Installation (IPL Fig. 5)
  - A. Penetrant check per SOPM 20-20-02 -- Fittings (265, 270, 305, 310), and chords (460, 465, 470, 475, 480, 485).

**57-53-27**

CHECK

01.1

Page 501

Jul 01/98

6. Flap Assembly (IPL Fig. 6)

- A. Magnetic particle check per SOPM 20-20-01 -- Washers (29, 11, 9), fittings (19, 21, 23, 25), nut (7), stops (65, 103), insert (171, 285), bolt (177), fitting (273), and trucks (93, 95, 133, 135).

7. Box Assembly (IPL Fig. 8)

- A. Magnetic particle check per SOPM 20-20-01 -- Bushing (21, 22), tubes (35, 53), washer (38).
- B. Penetrant check per SOPM 20-20-02 - Fittings (611, 614, 617, 746, 749, 867), ribs (155, 158, 161, 164, 278, 281, 287), chords (881, 824, 887, 890).

8. Examine honeycomb and bonded parts for signs of delamination, internal water and contour defects.

- A. Ultrasonically examine for delamination.
- B. Radiographically examine areas that could contain water to see how much damage there is.
- C. Examine the edges of the panels carefully for cuts and abrasions. Delamination starts very easily from damage to the edge member of a honeycomb panel.
- D. Refer to 767 Structural Repair Manual 57-53-02 for damage limits and repair instructions.

**57-53-27**

CHECK  
01.1 Page 502  
Jul 01/98



REPAIR – GENERAL1. Content

- A. Repair, refinish and replacement procedures are included in separate repair sections as follows:

<u>P/N</u>	<u>NAME</u>	<u>REPAIR</u>
113T2276	TRACK ASSEMBLY	1-1
113T2272	TRACK ASSEMBLY	2-1
113T2108	BOLT	3-1
113T2403	BELLCRANK ASSEMBLY	4-1
113T2270	FITTING ASSEMBLY	5-1
113T2280	FITTING ASSEMBLY	6-1
113T2271	FITTING ASSEMBLY	7-1
113T2275	FITTING ASSEMBLY	8-1
113T2273	SUPPORT ASSEMBLY	9-1
113T2274	FITTING ASSEMBLY	10-1
113T2261	PANEL ASSEMBLY	11-1
113T2250	TUBE ASSEMBLY	12-1
113T2232	RIB ASSEMBLY	13-1
113T2255	FITTING ASSEMBLY	14-1
- - -	MISCELLANEOUS PARTS REFINISH	15-1
113T2261	COVE PANEL ASSEMBLY	16-1
113T2251	SHEAR TUBE	17-1

57-53-27

REPAIR-GENERAL

01.1

Page 601

Mar 01/02

## 2. Standard Practices

- A. Refer to the following standard practices, as applicable, for details of procedures in individual repairs.

20-00-00 Introduction  
20-10-03 Shot Peening  
20-20-01 Magnetic Particle Inspection  
20-20-02 Penetrant Methods of Inspection  
20-30-02 Stripping of Protective Finishes  
20-30-03 General Cleaning Procedures  
20-41-01 Decoding Table for Boeing Finish Codes  
20-41-02 Application of Chemical and Solvent Resistant Finishes  
20-41-05 Application of Corrosion Inhibiting Compounds  
20-42-02 Low Hydrogen Embrittlement Cadmium-Titanium Alloy Plating  
20-42-05 Bright Cadmium Plating  
20-43-01 Chromic Acid Anodizing  
20-44-01 Application of Abrasion Resistant Finishes  
20-44-02 Temporary Protective Coatings  
20-50-03 Bearing and Bushing Replacement  
20-50-05 Application of Aluminum Foil and Other Markers  
20-50-12 Application of Adhesives  
20-60-01 Cleaning Materials  
20-60-02 Finishing Materials  
20-60-03 Lubricants  
20-60-04 Miscellaneous Materials

## 3. Material

NOTE: Equivalent substitutes can be used.

- A. Adhesive -- BMS 5-101, type 2, grade 5 (Ref 20-60-04)  
B. Adhesive -- Type 44 (Ref 20-50-12)  
C. Adhesive -- Hysol, EA 9628 (Ref 20-60-04)  
D. Coating, conductive -- BMS 10-21, type 3 (Ref 20-60-02)  
E. Coating, Teflon filled -- BMS 10-86, type 1 gray (Ref 20-60-02)  
F. Compound, corrosion preventive -- BMS 3-23 (Ref 20-60-02)  
G. Compound, corrosion preventive -- MIL-C-11796, class 1 (Ref 20-60-02)  
H. Conditioner, static -- Dexter 28-C-1 (Ref 20-60-02)  
I. Enamel -- BMS 10-60, BAC707 gray gloss (Ref 20-60-02)  
J. Primer -- BMS 10-11, type 1 (Ref 20-60-02)

**57-53-27**

REPAIR-GENERAL

01.1

Page 602

Jul 01/98

- K. Enamel -- BMS 10-11, type 2 (Ref 20-60-02)
- L. Primer -- BMS 10-79, type 2 (Ref 20-60-02)
- M. Sealant -- BMS 5-95, classes B, F (Ref 20-60-04)
- N. Surfacer -- Dexter 8-W-5 (Ref 20-60-02)
- O. Abrasive -- No. 180, or finer grit abrasive (Ref 20-60-04)
- P. Cheesecloth, new, clean, dry lint free -- BMS 15-5, class A or B (Ref 20-60-04)
- Q. Masking tape -- Permacel No. 76 (Ref 20-60-04)
- R. Solvent -- Methyl Ethyl Ketone (MEK) (Ref 20-60-01)
- S. Solvent -- Toluene (Toluol) (Ref 20-60-01)
- T. Wipers -- BMS 15-5, class A or B (Ref 20-30-03)

#### 4. Dimensioning Symbols

- A. Standard True Position Dimensioning Symbols used in applicable repair procedures are shown in SOPM 20-00-00.

**57-53-27**

REPAIR-GENERAL

01.1

Page 603

Jul 01/98

—	STRAIGHTNESS	⊕	THEORETICAL EXACT POSITION OF A FEATURE (TRUE POSITION)
▭	FLATNESS	∅	DIAMETER
⊥	PERPENDICULARITY (OR SQUARENESS)	S ∅	SPHERICAL DIAMETER
//	PARALLELISM	R	RADIUS
○	ROUNDNESS	SR	SPHERICAL RADIUS
⊙	CYLINDRICITY	( )	REFERENCE
⌒	PROFILE OF A LINE	BASIC	A THEORETICALLY EXACT DIMENSION USED TO DESCRIBE SIZE, SHAPE OR LOCATION OF A FEATURE FROM WHICH PERMISSIBLE VARIATIONS ARE ESTABLISHED BY TOLERANCES ON OTHER DIMENSIONS OR NOTES.
△	PROFILE OF A SURFACE	(BSC)	
◎	CONCENTRICITY	OR	
≡	SYMMETRY	<b>DIM</b>	
∠	ANGULARITY	<b>-A-</b>	DATUM
↗	RUNOUT	Ⓜ	MAXIMUM MATERIAL CONDITION (MMC)
↗	TOTAL RUNOUT	Ⓛ	LEAST MATERIAL CONDITION (LMC)
⊐	COUNTERBORE OR SPOTFACE	Ⓢ	REGARDLESS OF FEATURE SIZE (RFS)
∇	COUNTERSINK	Ⓟ	PROJECTED TOLERANCE ZONE
		FIM	FULL INDICATOR MOVEMENT

**EXAMPLES**

<b>—</b> 0.002	STRAIGHT WITHIN 0.002	◎ ∅ 0.0005 C	CONCENTRIC TO C WITHIN 0.0005 DIAMETER
⊥ 0.002 B	PERPENDICULAR TO B WITHIN 0.002	≡ 0.010 A	SYMMETRICAL WITH A WITHIN 0.010
// 0.002 A	PARALLEL TO A WITHIN 0.002	∠ 0.005 A	ANGULAR TOLERANCE 0.005 WITH A
○ 0.002	ROUND WITHIN 0.002	⊕ ∅ 0.002 Ⓢ B	LOCATED AT TRUE POSITION WITHIN 0.002 DIA RELATIVE TO DATUM B, REGARDLESS OF FEATURE SIZE
⊙ 0.010	CYLINDRICAL SURFACE MUST LIE BETWEEN TWO CONCENTRIC CYLINDERS, ONE OF WHICH HAS A RADIUS 0.010 INCH GREATER THAN THE OTHER	⊥ ∅ 0.010 Ⓜ A	AXIS IS TOTALLY WITHIN A CYLINDER OF 0.010-INCH DIAMETER, PERPENDICULAR TO, AND EXTENDING 0.510-INCH ABOVE, DATUM A, MAXIMUM MATERIAL CONDITION
⌒ 0.006 A	EACH LINE ELEMENT OF THE SURFACE AT ANY CROSS SECTION MUST LIE BETWEEN TWO PROFILE BOUNDARIES 0.006 INCH APART RELATIVE TO DATUM PLANE A	0.510 Ⓟ	
▭ 0.020 A	SURFACES MUST LIE WITHIN PARALLEL BOUNDARIES 0.02 INCH APART AND EQUALLY DISPOSED ABOUT TRUE PROFILE	2.000	THEORETICALLY EXACT DIMENSION IS 2.000
		OR	
		2.000	
		BSC	
<b>NOTE:</b> DATUM MAY APPEAR AT EITHER SIDE OF TOLERANCE FRAME		0.020 A	
		A 0.020	

True Position Dimensioning Symbols  
Figure 601

**57-53-27**

REPAIR-GENERAL

01.1

Page 604

Mar 01/00

TRACK ASSEMBLY – REPAIR 1-1

113T2276-1, -2, -5, -6, -9, -10

NOTE: Refer to REPAIR-GEN for list of applicable standard practices.

1. Bushing Replacement

A. Bushings (91,93 IPL Fig. 1; 85, 87, IPL Fig. 6; 86, 88, IPL Fig. 7).

- (1) Remove bushings.
- (2) Check hole for damage or corrosion and repair, if necessary, per REPAIR 1-2.
- (3) Install bushings by shrink fit per 20-50-03 using wet BMS 5-95, class B sealant.
- (4) Machine bushings to dimensions shown on Fig. 601.
- (5) If necessary, rework dimension between flanges of bushing (91, 93, IPL Fig. 1; 85, 87, IPL Fig. 6; 86, 88, IPL Fig. 7) as shown on Fig. 601.
- (6) Fillet seal entire periphery of bushing flanges using BMS 5-95, class B sealant.

B. Bushing (95, IPL Fig. 1; 89, IPL Fig. 6; 90, IPL Fig. 7)

- (1) Remove bushing.
- (2) Install bushing per 20-50-03 using wet BMS 5-95, class B sealant.
- (3) Machine bushing to dimensions shown on Fig. 601.
- (4) Fillet seal entire periphery of bushing flange using BMS 5-95, class B sealant.

C. Bushing (97, IPL Fig. 1; 91, IPL Fig. 6; 92, IPL Fig. 7)

- (1) Remove bushing.
- (2) Check hole for damage or corrosion and repair, if necessary, per REPAIR 1-2.
- (3) Install bushing by shrink fit per 20-50-03 except install with wet sealant, BMS 5-95, class B.

**57-53-27**

REPAIR 1-1

01.1

Page 601

Mar 01/04

- (4) Machine bushing per Fig. 601.
- (5) Install bushing (95, IPL Fig. 1; 89, IPL Fig. 6; 90, IPL Fig. 7) per 1.B.(2) thru 1.B.(4).
- (6) Fillet seal entire periphery of bushing flange using BMS 5-95, class B sealant.

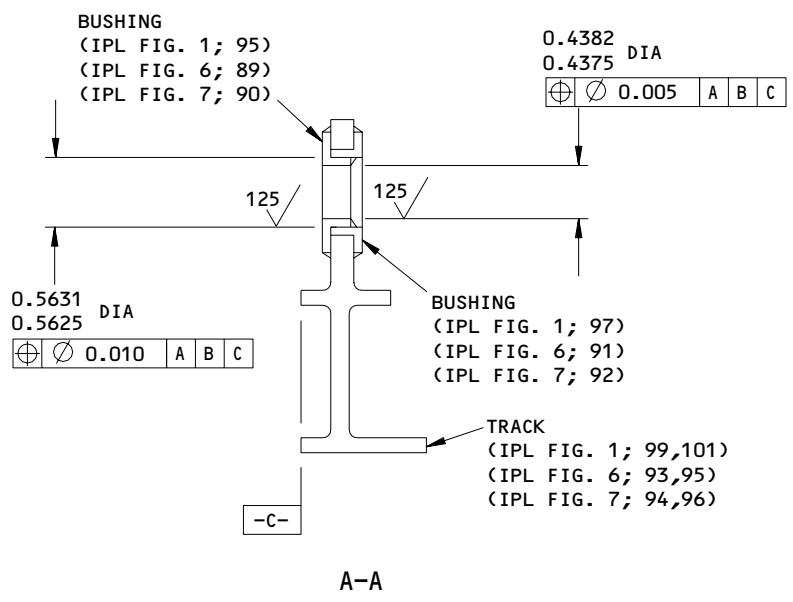
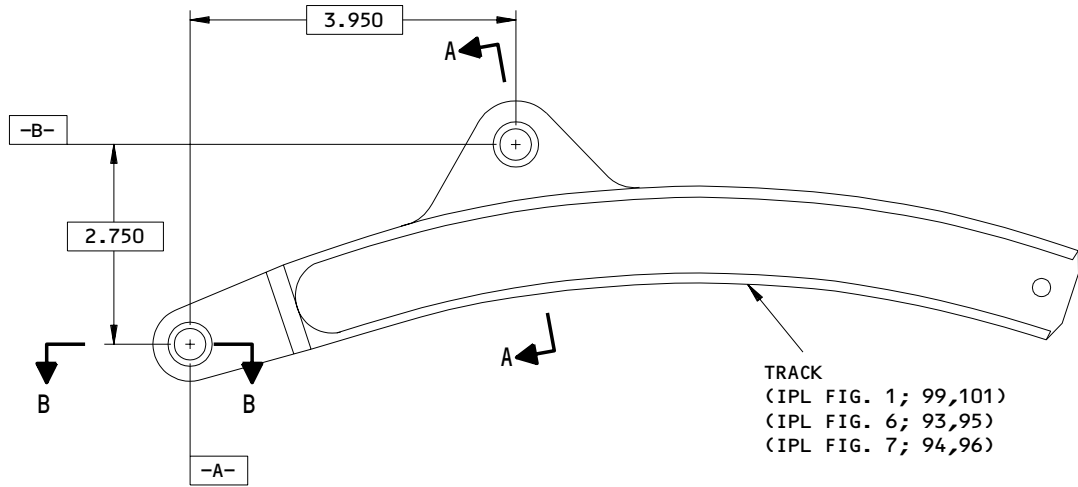
**57-53-27**

REPAIR 1-1

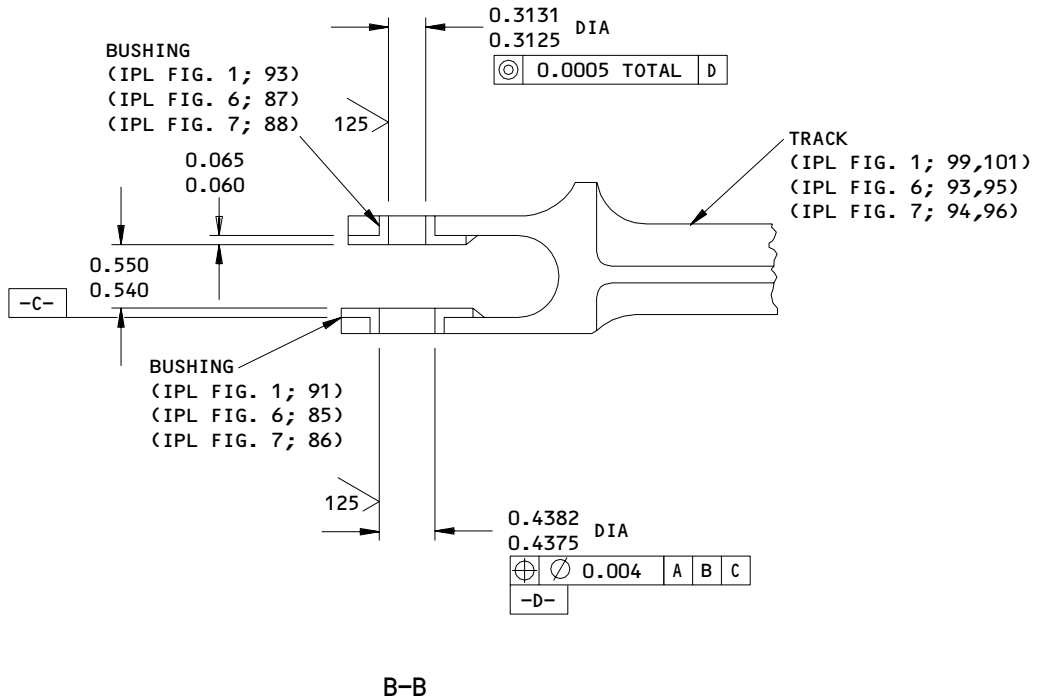
01.1

Page 602

Mar 01/04



113T2276-1,-2,-5,-6,-9,-10  
 Bushing Replacement  
 Figure 601 (Sheet 1)



ALL DIMENSIONS ARE IN INCHES

113T2276-1,-2,-5,-6,-9,-10  
 Bushing Replacement  
 Figure 601 (Sheet 2)

**57-53-27**

REPAIR 1-1  
 Page 604  
 Mar 01/04

01.1



TRACK ASSEMBLY – REPAIR 1-2

113T2276-3, -4, -7, -8, -11 thru -16

1. Repair

A. Repair hole for bushing (91, 93, 97, IPL Fig. 1; 85, 87, 91, IPL Fig. 6; 86, 88, 92, IPL Fig. 7).

(1) Machine Track (99, 101, IPL Fig. 1; 93, 95, IPL Fig. 6; 94, 96, IPL Fig. 7) as required to remove discrepancies as shown in Fig. 601.

(2) Magnetic particle check as shown in SOPM 20-20-01.

(3) Shot peen bore(s) as shown in SOPM 20-10-03 and Fig. 601.

(4) Refinish per 2.A.

(5) Fabricate oversize bushing(s) as shown in Fig. 603, Fig. 604, Fig. 605.

B. Repair for the lower longer flange of the flap track (99, 101, IPL Fig. 1; 93, 95, IPL Fig. 6; 94, 96, IPL Fig. 7) as follows:

(1) Machine the wear surfaces of the lower flange of the flap track (99, 101, IPL Fig. 1; 93, 95, IPL Fig. 6; 94, 96, IPL Fig. 7) with a 20 to 1 blend ratio as necessary to remove defects up to the limits shown in Fig. 601.

(2) Do a magnetic particle inspection to the flap track (99, 101, IPL Fig. 1; 93, 95, IPL Fig. 6; 94, 96, IPL Fig. 7) as shown in SOPM 20-20-01.

(3) Shot peen the machined surface of the flap track (99, 101, IPL Fig. 1; 93, 95, IPL Fig. 6; 94, 96, IPL Fig. 7) as shown in SOPM 20-10-03.

**57-53-27**

REPAIR 1-2

01.1

Page 601

Mar 01/04

- (4) Apply low hydrogen embrittlement cadmium plate as shown in SOPM 20-42-01 or 20-42-02 or 20-42-10. It is optional to apply BMS 10-67, Type 1 tungsten carbide coating (F-15.360) on the upper and lower wear surfaces of the lower flange. Overspray onto the sides of the lower flange is allowed.
- (5) Do a magnetic particle inspection to the flap track (99, 101, IPL Fig. 1; 93, 95, IPL Fig. 6; 94, 96, IPL Fig. 7) as shown in SOPM 20-20-01.

## 2. Refinish

- A. Tracks (99, 101, IPL Fig. 1; 93, 95, IPL Fig. 6; 94, 96, IPL Fig. 7) -- Cadmium titanium alloy plate (0.0005-0.0007 inch), and apply chromate post-plate treatment (F-15.32) all over. Apply one coat BMS 10-11, Type 1 primer (F-20.02) and BMS 10-60, BAC707 gray gloss enamel (SRF-14,9813) to those areas shown on Fig. 602. Material: 4340M steel, 275-300 ksi.

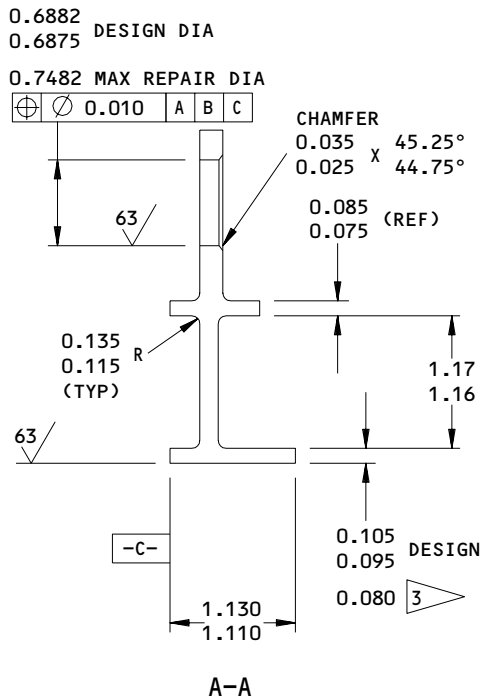
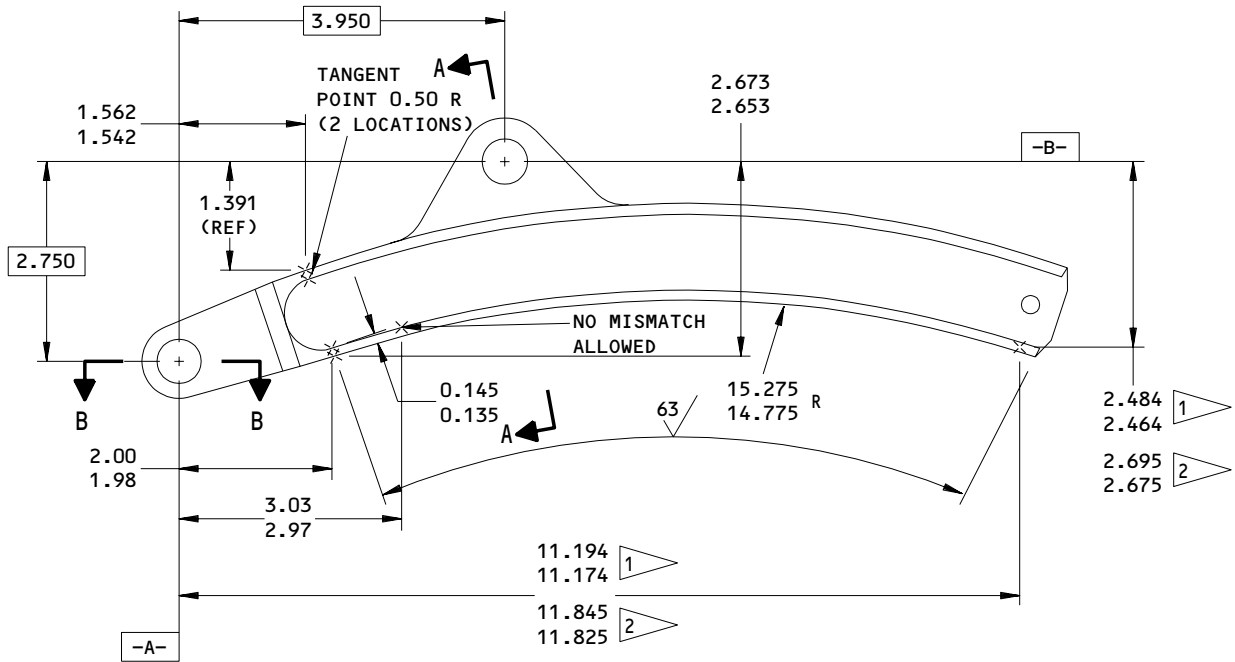
**57-53-27**

REPAIR 1-2

01.1

Page 602

Mar 01/04



113T2276-3,-4,-7,-8,-11 THRU -16  
 Track Repair  
 Figure 601 (Sheet 1)

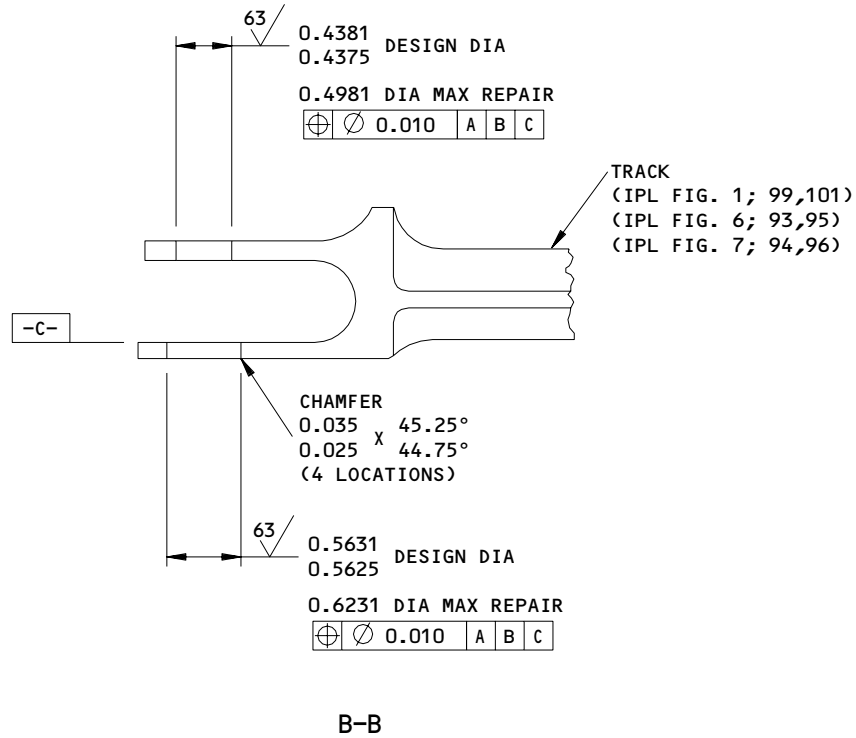
**57-53-27**

REPAIR 1-2

Page 603

Mar 01/04

01.1



- 1 FOR 113T2276-3,-4,-13,-14
- 2 FOR 113T2276-7,-8,-11,-12,-15,-16
- 3 REPAIR LIMIT FOR THE LOWER LONGER FLANGE ONLY

CHECK: MAGNETIC PARTICLE CHECK PER SOPM 20-20-01, CLASS A, LAST OPERATION PRIOR TO SHOT PEENING AND FIRST OPERATION AFTER PLATING

SHOT PEEN: 0.017-0.046 SHOT SIZE  
 0.010 A INTENSITY  
 2.0 COVERAGE

MATERIAL: 4340 STEEL, HT 275-300 KSI

FINISH: SEE FIGURE 602

ALL DIMENSIONS ARE IN INCHES

113T2276-3,-4,-7,-8,-11 THRU -16  
 Track Repair  
 Figure 601 (Sheet 2)

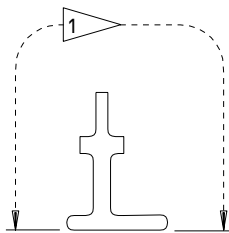
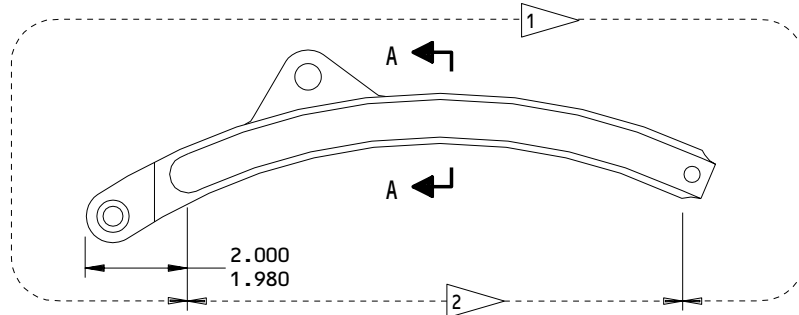
**57-53-27**

REPAIR 1-2

01.1

Page 604

Mar 01/04



A-A

1 CADMIUM-TITANIUM ALLOY PLATE (0.0005-0.0007 INCH), AND APPLY CHROMATE POST PLATE TREATMENT (F-15.32) PER SOPM 20-42-02. APPLY ONE COAT OF BMS 10-11, TYPE 1 PRIMER (F-20.02) PER SOPM 20-41-02. APPLY BMS 10-60 BAC 707 GRAY GLOSS ENAMEL (SRF-14.9813) EXCEPT NO ENAMEL IN HOLES

2 CADMIUM-TITANIUM ALLOY PLATE (0.0005-0.0007 INCH), AND APPLY CHROMATE POST PLATE TREATMENT PER SOPM 20-42-02

113T2276-3,-4,-7,-8,-11 THRU -16  
 Refinish of Track  
 Figure 602

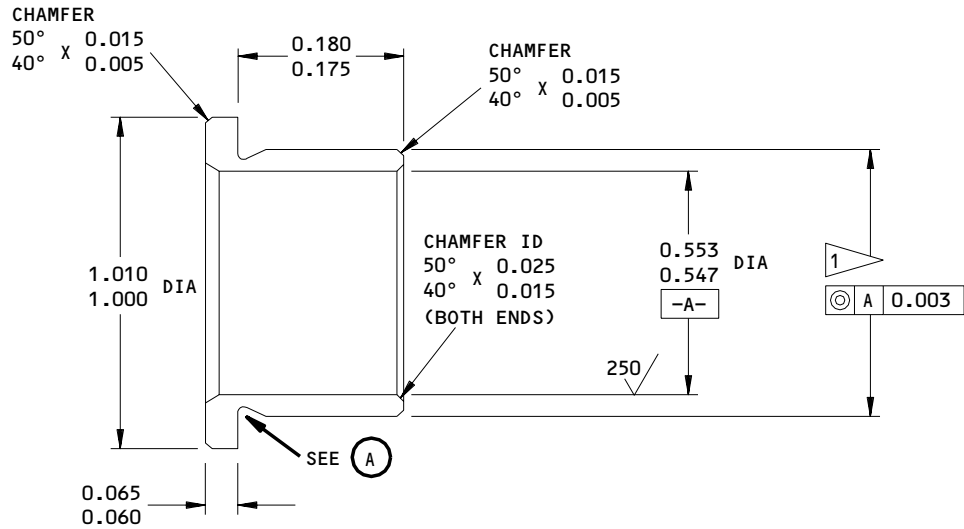
**57-53-27**

REPAIR 1-2

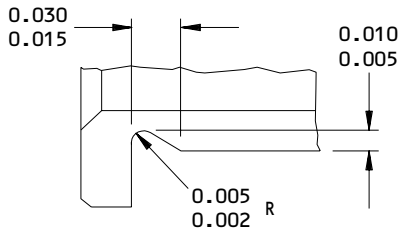
Page 605

Mar 01/04

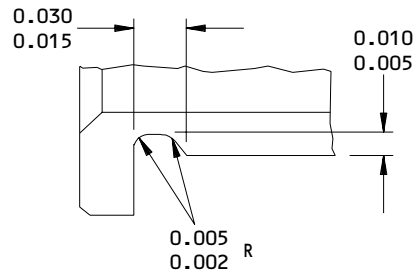
01.1



**OVERSIZE REPLACEMENT FOR BUSHINGS**  
 (IPL FIG. 1; 97)  
 (IPL FIG. 6; 91)  
 (IPL FIG. 7; 92)



**TYPE 1**



**TYPE 2**

**UNDERCUT TYPE 1 OR TYPE 2 OPTIONAL**



1 FINISH DIAMETER (REPAIR DIAMETER OF FITTING PLUS 0.0005-0.0018 INTERFERENCE)

63/ ALL MACHINED SURFACES UNLESS SHOWN DIFFERENTLY

FINISH: CADMIUM PLATE PER SOPM 20-42-05, TYPE 2, CLASS 2, PLATING IN BORE OPTIONAL

MATERIAL: 15-5PH CRES, 180-200 KSI

ALL DIMENSIONS APPLY AFTER PLATING

ALL DIMENSIONS ARE IN INCHES

**Oversize Bushing Details  
 Figure 603**

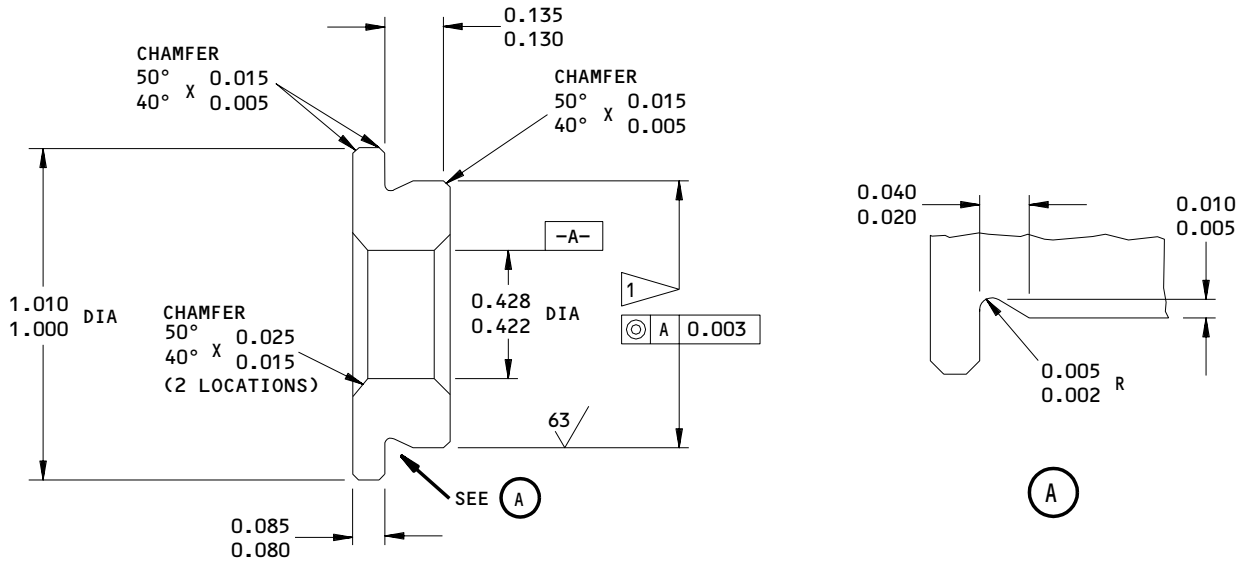
**57-53-27**

REPAIR 1-2

01.1

Page 606

Mar 01/04



**OVERSIZE REPLACEMENT FOR BUSHINGS**  
 (IPL FIG. 1; 91)  
 (IPL FIG. 6; 85)  
 (IPL FIG. 7; 86)

1 FINAL BUSHING OUTSIDE DIAMETER EQUALS  
 REPAIR DIAMETER OF FITTING PLUS  
 0.0005-0.0017 INTERFERENCE

125/ ALL MACHINED SURFACES UNLESS SHOWN  
 DIFFERENTLY

FINISH: CADMIUM PLATE PER QQ-P-416, TYPE 2,  
 CLASS 2 (F-15.06) PER SOPM 20-42-05

MATERIAL: AL-NI-BR PER AMS 4640

PENETRANT CHECK PER SOPM 20-20-02  
 AFTER MACHINING

DIMENSIONS APPLY AFTER PLATING

ALL DIMENSIONS ARE IN INCHES

Oversize Bushing Details  
 Figure 604

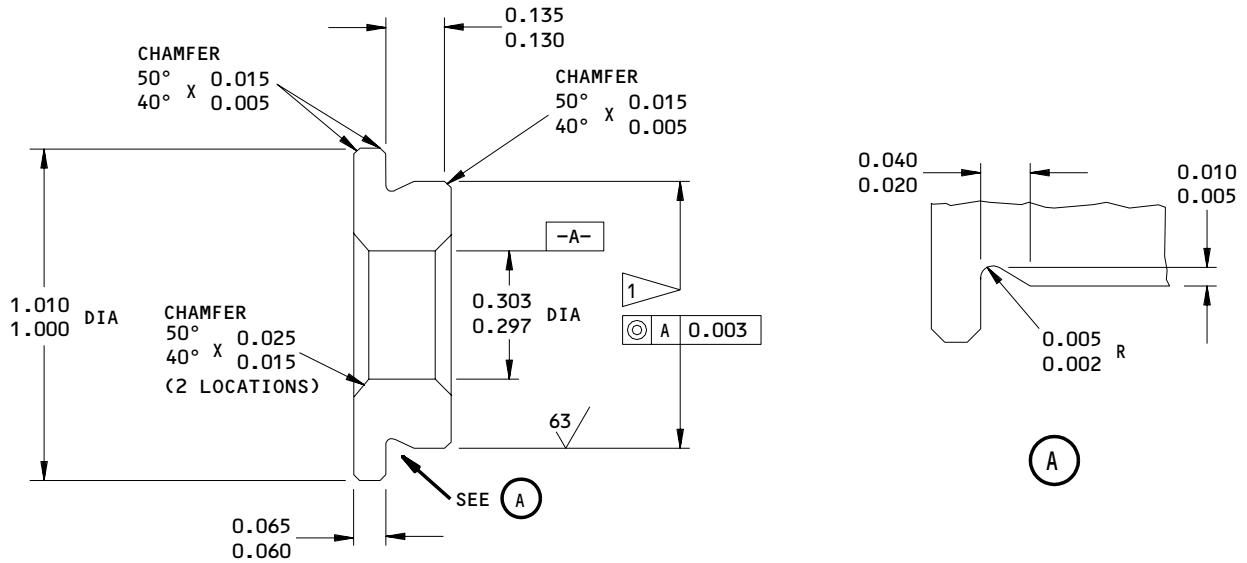
**57-53-27**

REPAIR 1-2

01.1

Page 607

Mar 01/04



**OVERSIZE REPLACEMENT FOR BUSHINGS**  
 (IPL FIG. 1; 93)  
 (IPL FIG. 6; 87)  
 (IPL FIG. 7; 88)

1 FINAL BUSHING OUTSIDE DIAMETER EQUALS REPAIR DIAMETER OF FITTING PLUS 0.0003-0.0015 INTERFERENCE

125/ ALL MACHINED SURFACES UNLESS SHOWN DIFFERENTLY

CHECK: MAGNETIC PARTICLE PER SOPM 20-20-01  
 FINISH: CADMIUM PLATE PER QQ-P-416, TYPE 2, CLASS 2 (F-15.06) PER SOPM 20-42-05

MATERIAL: 15-5PH HT 180-200 KSI

DIMENSIONS APPLY AFTER PLATING

ALL DIMENSIONS ARE IN INCHES

Oversize Bushing Details  
 Figure 605

**57-53-27**

REPAIR 1-2

01.1

Page 608

Mar 01/04



TRACK ASSEMBLY – REPAIR 2-1

113T2272-1, -2, -5, -6, -9, -10

NOTE: Refer to REPAIR-GEN for list of applicable standard practices.

1. Bushing Replacement

A. Bushings (129, 131, IPL Fig. 1; 125, 127, IPL Fig. 6; 124, 126, IPL Fig. 7)

- (1) Remove bushings.
- (2) Check hole for damage or corrosion and repair, if necessary, per REPAIR 2-2.
- (3) Install bushings by shrink fit per 20-50-03 using wet BMS 5-95, class B sealant.
- (4) Machine bushings to dimensions shown on Fig. 601.
- (5) If necessary, rework dimension between flanges of bushing (129, 131, IPL Fig. 1; 125, 127, IPL Fig. 6; 124, 126, IPL Fig. 7) as shown on Fig. 601.
- (6) Fillet seal entire periphery of bushing flanges with BMS 5-95, class B sealant.

B. Bushing (133, IPL Fig. 1; 129, IPL Fig. 6; 128, IPL Fig. 7).

- (1) Remove bushing.
- (2) Install bushing per 20-50-03 using wet BMS 5-95, class B sealant.
- (3) Machine bushing to dimensions shown on Fig. 601.
- (4) Fillet seal entire periphery of bushing flange using BMS 5-95, class B sealant.

C. Bushing (135, IPL Fig. 1; 131, IPL Fig. 6; 130, IPL Fig. 7).

- (1) Remove bushing.
- (2) Check hole for damage or corrosion and repair, if necessary, per REPAIR 2-2.
- (3) Install bushing by shrink fit per 20-50-03 except install with wet sealant, BMS 5-95, class B.

**57-53-27**

REPAIR 2-1

01.1

Page 601

Mar 01/04

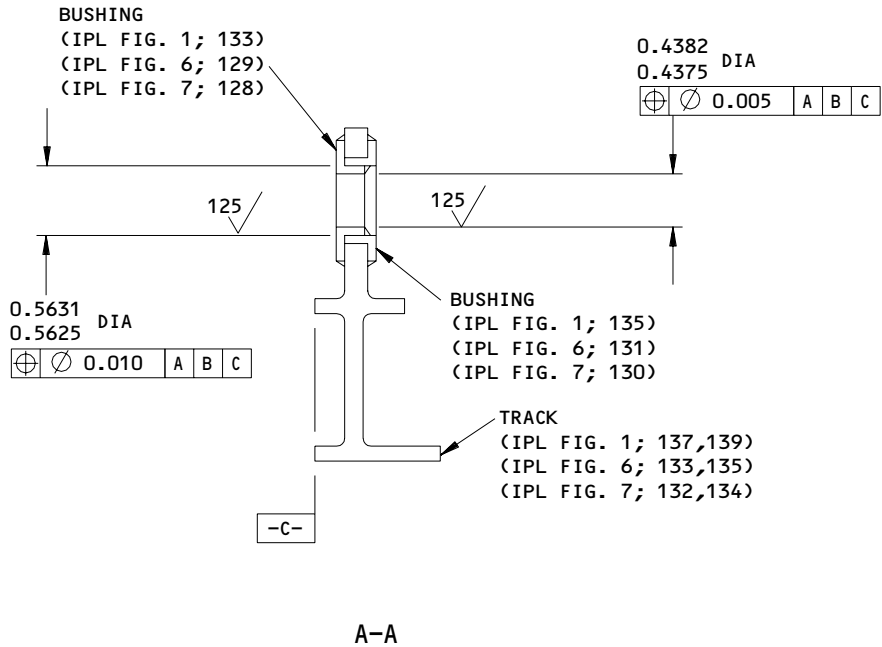
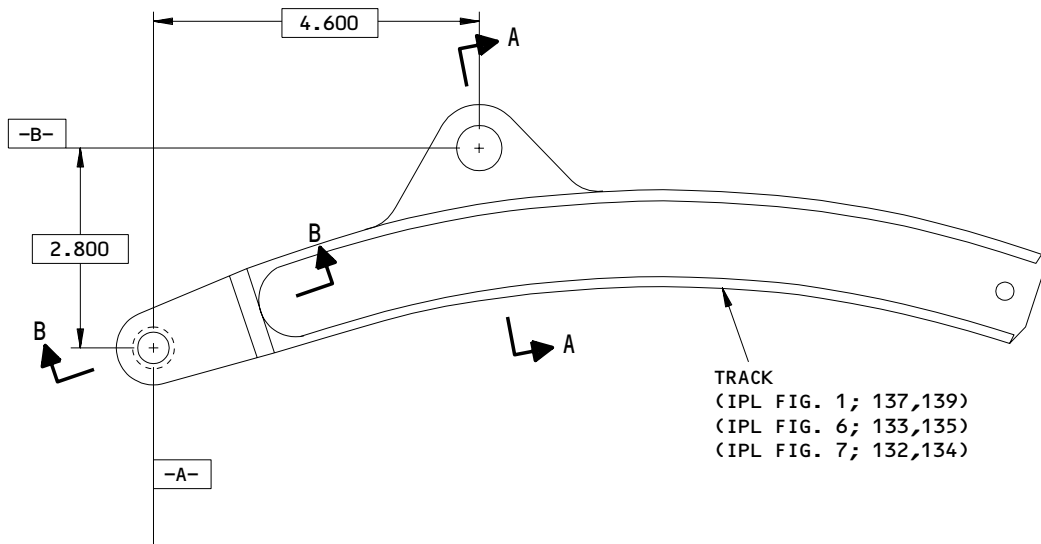
- (4) Machine bushing per Fig. 601.
- (5) Install bushing (133, IPL Fig. 1; 129, IPL Fig. 6; 128, IPL Fig. 7) per 1.B.(2) thru 1.B.(4).

**57-53-27**

REPAIR 2-1

01.101 Page 602

Mar 01/04

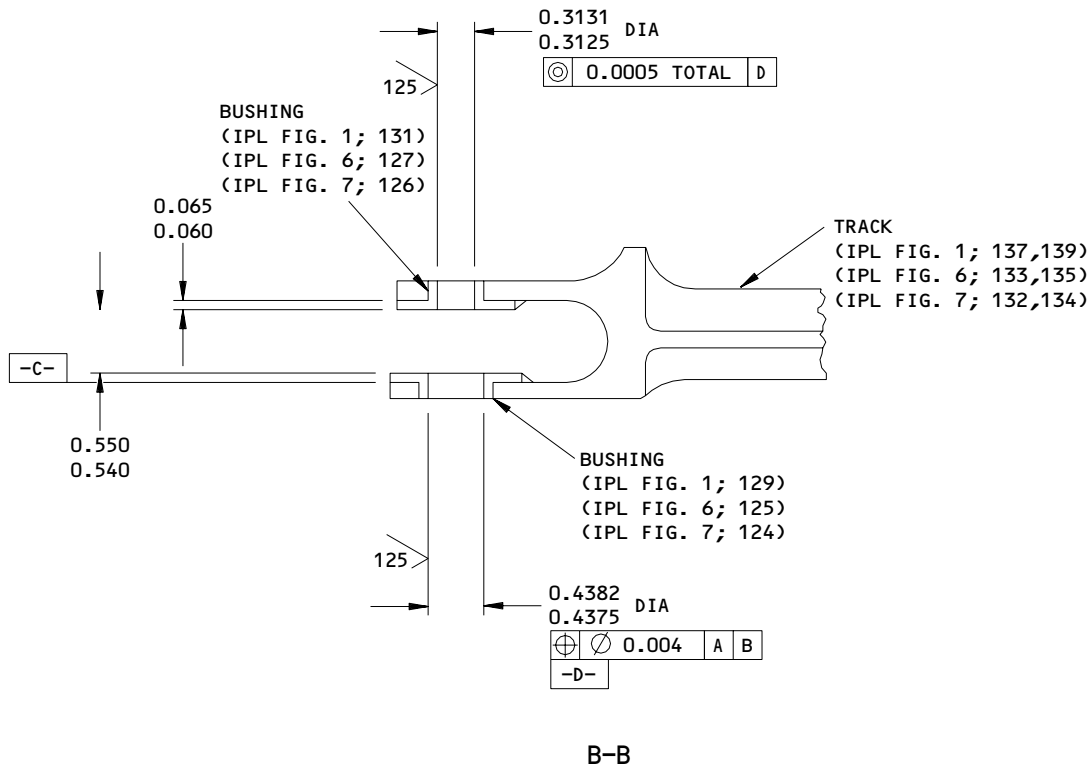


113T2272-1,-2,-5,-6,-9,-10  
 Bushing Replacement  
 Figure 601 (Sheet 1)

**57-53-27**

REPAIR 2-1  
 Page 603  
 Mar 01/04

01.1



CHECK: MAGNETIC PARTICLE CHECK PER  
 SOPM 20-20-01, CLASS A, LAST  
 OPERATION PRIOR TO SHOT PEENING  
 AND FIRST OPERATION AFTER PLATING

SHOT PEEN: 0.017-0.046 SHOT SIZE  
 0.010 A INTENSITY  
 2.0 COVERAGE

MATERIAL: 4340 STEEL, HT 275-300 KSI

FINISH: SEE FIG. 602

ALL DIMENSIONS ARE IN INCHES

113T2272-1,-2,-5,-6,-9,-10  
 Bushing Replacement  
 Figure 601 (Sheet 2)

**57-53-27**

REPAIR 2-1

01.1

Page 604

Mar 01/04

TRACK ASSEMBLY – REPAIR 2-2

113T2272-3, -4, -7, -8, -11 thru -16

**1. Repair**

A. Repair hole for bushing (129, 131, 135, IPL Fig. 1; 125, 127, 131, IPL Fig. 6; 124, 126, 130, IPL Fig. 7).

- (1) Machine Track (137, 139, IPL Fig. 1; 133, 135, IPL Fig. 6; 132, 134, IPL Fig. 7) as required to remove discrepancies, as shown in Fig. 601.
- (2) Do a magnetic particle inspection as shown in SOPM 20-20-01.
- (3) Shot peen bore(s) as shown in SOPM 20-10-03 and Fig. 601.
- (4) Refinish per 2.A..
- (5) Fabricate oversize bushing(s) as shown in Fig. 603, Fig. 604, Fig. 605.

B. Repair for the lower longer flange of the flap track (137, 139, IPL Fig. 1; 133, 135, IPL Fig. 6; 132, 134, IPL Fig. 7) as follows:

- (1) Machine the wear surfaces on the lower flange of the flap track (137, 139, IPL Fig. 1; 133, 135, IPL Fig. 6; 132, 134, IPL Fig. 7), with a 20 to 1 blend ratio as necessary to remove defects up to the limits shown in Fig. 601.
- (2) Do a magnetic particle inspection to the flap track (137, 139, IPL Fig. 1; 133, 135, IPL Fig. 6; 132, 134, IPL Fig. 7) as shown in SOPM 20-20-01.
- (3) Shot peen the machined surface of the flap track (137, 139, IPL Fig. 1; 133, 135, IPL Fig. 6; 132, 134, IPL Fig. 7) as shown in SOPM 20-10-03.
- (4) Apply low hydrogen embrittlement cadmium plate as shown in SOPM 20-42-01 or 20-42-02 or 20-42-10. It is optional to apply BMS 10-67, Type 1 tungsten carbide coating (F-15.360) on the upper and lower wear surfaces of the lower flange. Overspray onto the sides of the lower flange is allowed.
- (5) Do a magnetic particle inspection to the flap track (137, 139, Fig. 1; 133, 135, IPL Fig. 6; 132, 134, IPL Fig. 7) as shown in SOPM 20-20-01.

**57-53-27**

REPAIR 2-2

01.1

Page 601

Mar 01/04

2. Refinish

- A. Tracks (137, 139, IPL Fig. 1; 133, 135, IPL Fig. 6; 132, 134, IPL Fig. 7)  
-- Cadmium-titanium alloy plate (0.0005-0.0007 inch), and apply chromate post-plate treatment (F-15.32) all over. Apply one coat BMS 10-11, Type 1 primer (F-20.02) and BMS 10-60, BAC707 gray gloss enamel (SRF-14.9813) to those areas shown in Fig. 602. Material: 4340M steel, 275-300 ksi.

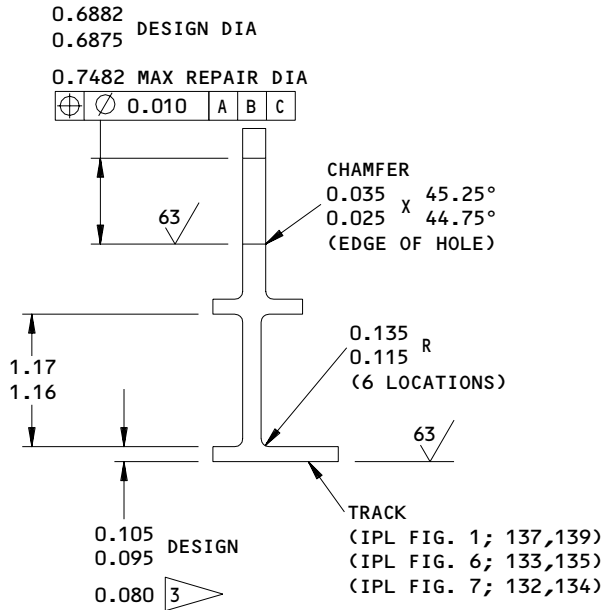
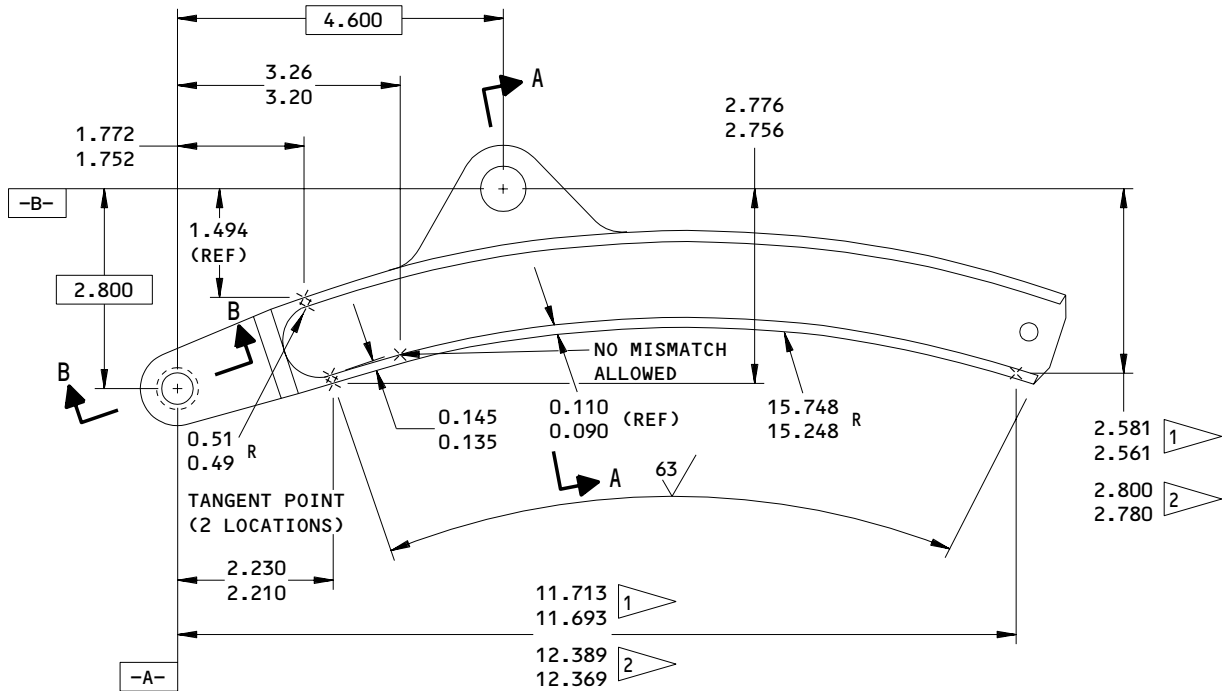
**57-53-27**

REPAIR 2-2

01.1

Page 602

Mar 01/04



A-A

113T2272-3,-4,-7,-8,-13 THRU -16  
 Track Repair  
 Figure 601 (Sheet 1)

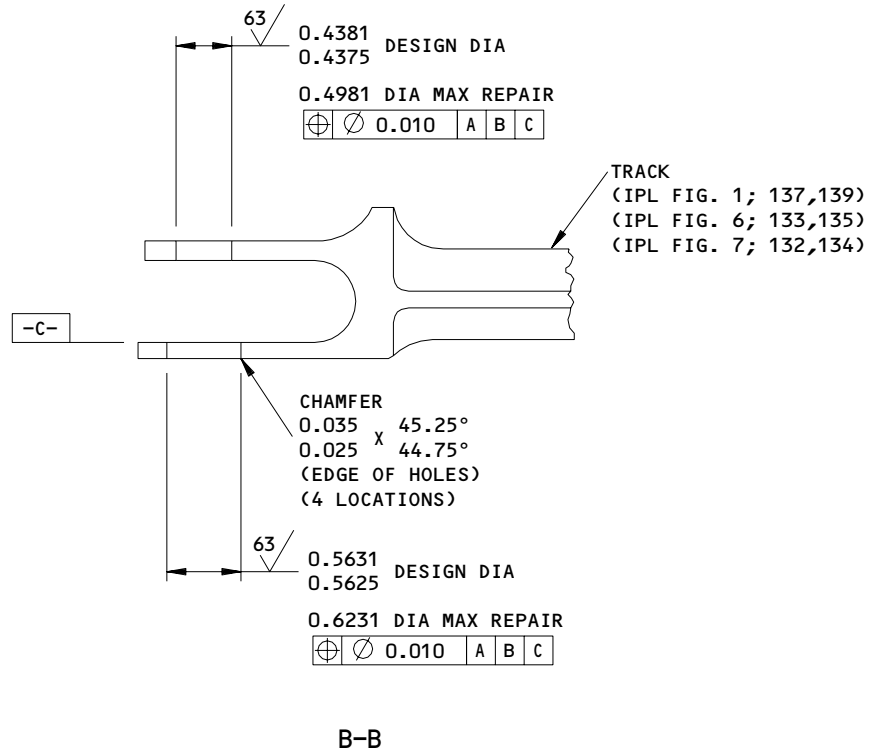
**57-53-27**

REPAIR 2-2

Page 603

Mar 01/04

01.1



- 1 FOR 113T2272-3,-4,-13,-14
- 2 FOR 113T2272-7,-8,-11,-12,-15,-16
- 3 REPAIR LIMIT FOR THE LOWER LONGER FLANGE ONLY

CHECK: MAGNETIC PARTICLE CHECK PER SOPM 20-20-01, CLASS A, LAST OPERATION PRIOR TO SHOT PEENING AND FIRST OPERATION AFTER PLATING

SHOT PEEN: 0.017-0.046 SHOT SIZE  
0.010 A INTENSITY  
2.0 COVERAGE

MATERIAL: 4340 STEEL, HT 275-300 KSI

FINISH: SEE FIGURE 602

ALL DIMENSIONS ARE IN INCHES

113T2272-3,-4,-7,-8,-13 THRU -16  
Track Repair  
Figure 601 (Sheet 2)

**57-53-27**

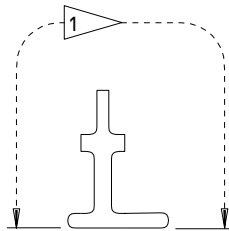
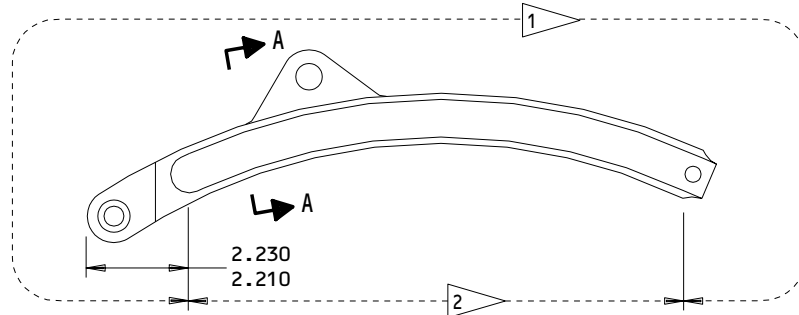
REPAIR 2-2

01.1

Page 604

Mar 01/04





A-A

1 CADMIUM-TITANIUM ALLOY PLATE (0.0005-0.0007 INCH), AND APPLY CHROMATE POST PLATE TREATMENT (F-15.32) PER SOPM 20-42-02. APPLY ONE COAT OF BMS 10-11, TYPE 1 PRIMER (F-20.02) PER SOPM 20-41-02. APPLY BMS 10-60 BAC 707 GRAY GLOSS ENAMEL (SRF-14.9813) EXCEPT NO ENAMEL IN HOLES

2 CADMIUM-TITANIUM ALLOY PLATE (0.0005-0.0007 INCH), AND APPLY CHROMATE POST PLATE TREATMENT PER SOPM 20-42-02

113T2272-3,-4,-7,-8,-13 THRU -16  
 Refinish of Track  
 Figure 602

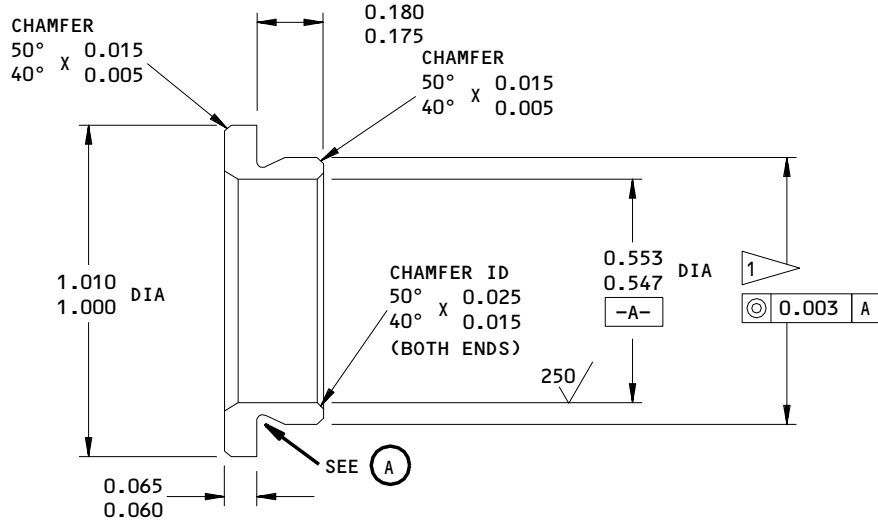
**57-53-27**

REPAIR 2-2

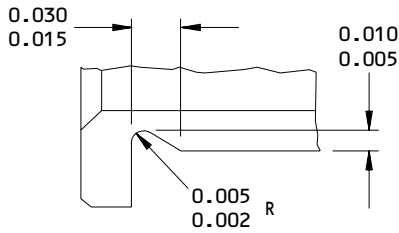
Page 605

Mar 01/04

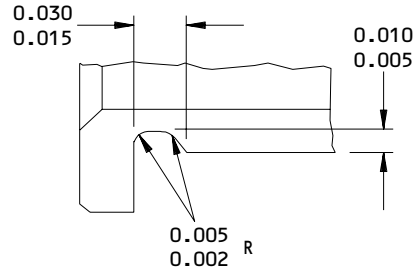
01.1



**OVERSIZE REPLACEMENT FOR BUSHINGS**  
 (IPL FIG. 1; 135)  
 (IPL FIG. 6; 131)  
 (IPL FIG. 7; 130)



TYPE 1



TYPE 2

UNDERCUT TYPE 1 OR TYPE 2 OPTIONAL



1 FINISH DIAMETER (REPAIR DIAMETER OF FITTING PLUS 0.0005-0.0018 INTERFERENCE)

63/ ALL MACHINED SURFACES UNLESS SHOWN DIFFERENTLY

FINISH: CADMIUM PLATE PER SOPM 20-42-05, TYPE 2, CLASS 2, PLATING IN BORE OPTIONAL

MATERIAL: 15-5PH CRES, 180-200 KSI

ALL DIMENSIONS APPLY AFTER PLATING

ALL DIMENSIONS ARE IN INCHES

Oversize Bushing Details  
 Figure 603

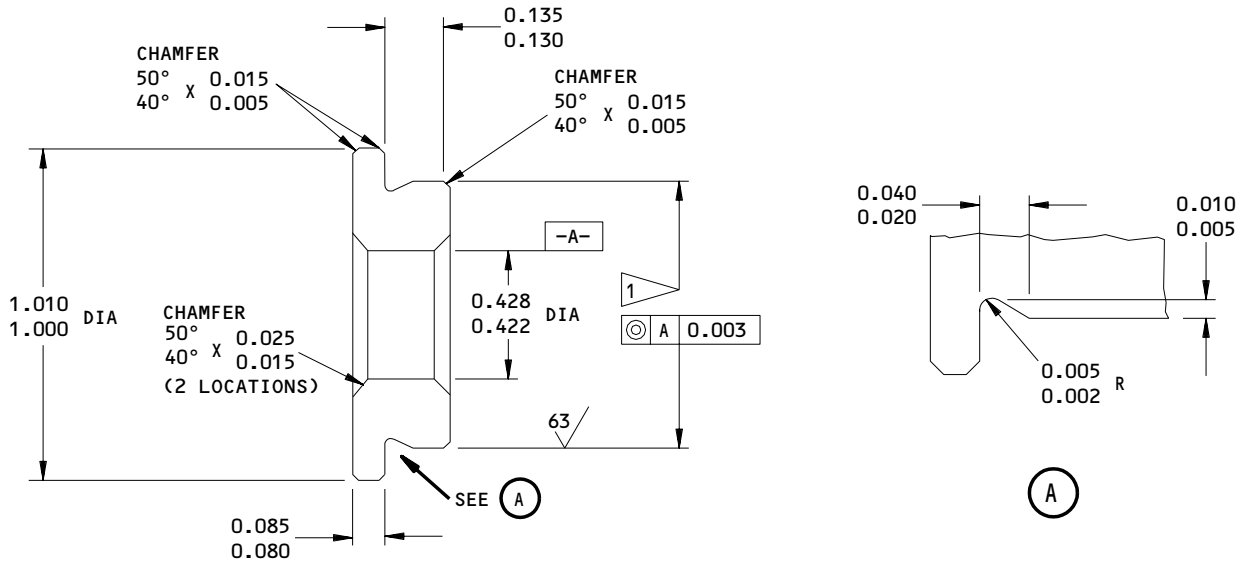
**57-53-27**

REPAIR 2-2

Page 606

Mar 01/04

01.1



**OVERSIZE REPLACEMENT FOR BUSHINGS**  
 (IPL FIG. 1; 129)  
 (IPL FIG. 6; 125)  
 (IPL FIG. 7; 124)

1 FINAL BUSHING OUTSIDE DIAMETER EQUALS  
 REPAIR DIAMETER OF FITTING PLUS  
 0.0005-0.0017 INTERFERENCE

125/ ALL MACHINED SURFACES UNLESS SHOWN  
 DIFFERENTLY

FINISH: CADMIUM PLATE PER QQ-P-416, TYPE 2,  
 CLASS 2 (F-15.06) PER SOPM 20-42-05

MATERIAL: AL-NI-BR PER AMS 4640

PENETRANT CHECK PER SOPM 20-20-02  
 AFTER MACHINING

DIMENSIONS APPLY AFTER PLATING

ALL DIMENSIONS ARE IN INCHES

Oversize Bushing Details  
 Figure 604

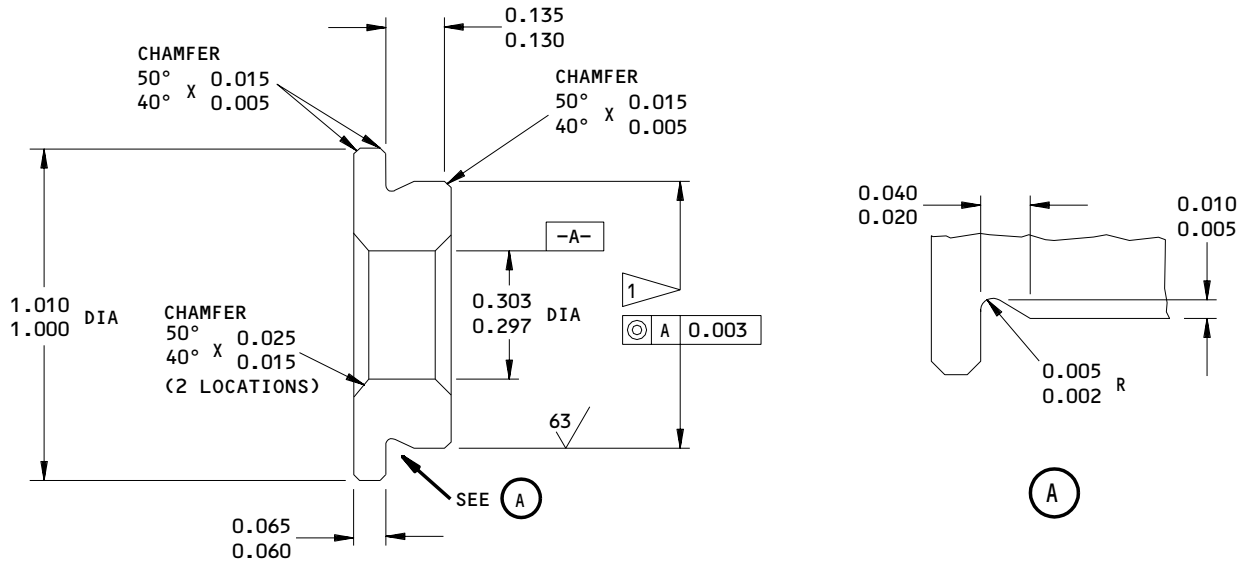
**57-53-27**

REPAIR 2-2

01.1

Page 607

Mar 01/04



**OVERSIZE REPLACEMENT FOR BUSHINGS  
 (IPL FIG. 1; 131)  
 (IPL FIG. 6; 127)  
 (IPL FIG. 7; 126)**

1 FINAL BUSHING OUTSIDE DIAMETER EQUALS REPAIR DIAMETER OF FITTING PLUS 0.0003-0.0015 INTERFERENCE

125/ ALL MACHINED SURFACES UNLESS SHOWN DIFFERENTLY

CHECK: MAGNETIC PARTICLE PER SOPM 20-20-01  
 FINISH: CADMIUM PLATE PER QQ-P-416, TYPE 2, CLASS 2 (F-15.06) PER SOPM 20-42-05

MATERIAL: 15-5PH HT 180-200 KSI

DIMENSIONS APPLY AFTER PLATING

ALL DIMENSIONS ARE IN INCHES

**Oversize Bushing Details  
 Figure 605**

**57-53-27**

REPAIR 2-2

01.1

Page 608

Mar 01/04

BOLT - REPAIR 3-1

113T2108-5, -7

NOTE: Refer to REPAIR-GEN for list of applicable standard practices.

| 1. Repair of Bolt (177, IPL Fig. 1; 177, IPL Fig. 6; 174, IPL Fig. 7)

- A. Cadmium plate, type 2, class 3 (0.0002-0.0004 inch) (F-15.02) all over except threads.
- B. Machine shank of bolt to an OD of 0.4990-0.4995 and a surface roughness of 32 microinch.

**57-53-27**

REPAIR 3-1

01.1

Page 601

Mar 01/00

BELLCRANK ASSEMBLY – REPAIR 4-1

113T2403-1, -2, -7, -8, -11, -12

NOTE: Refer to REPAIR-GEN for list of applicable standard practices.

1. Bushing (191, 193, 195, 197, IPL Fig. 1; 193, 195, 197, 199, IPL Fig. 6; 190, 192, 194, 196, IPL Fig. 7) Replacement.

- A. Remove bushings.
- B. Check hole for damage or corrosion and repair if necessary per 3..
- C. Install bushings per 20-50-03 using wet BMS 5-95, class B sealant.
- D. Machine bushings as shown on Fig. 601.
- E. Fillet seal entire periphery of bushing flanges using BMS 5-95, class B sealant.

2. Bushing (199, IPL Fig. 1; 201, IPL Fig. 6; 198, IPL Fig. 7) Replacement

- A. Remove bushing.
- B. Check hole for damage or corrosion and repair if necessary per 3..
- C. Install bushing per 20-50-03.
- D. Machine bushing as shown on Fig. 601.

3. Repair

- A. Repair hole for bushing (191, 193, 195, 197, 199, IPL Fig. 1; 193, 195, 197, 199, 201, IPL Fig. 6; 190, 192, 194, 196, 198, IPL Fig. 7)
  - (1) Machine Bellcrank (205, 206, 207, 208, IPL Fig. 1; 207, 209, IPL Fig. 6; 204, 206, IPL Fig. 7) as required to remove discrepancies, per Fig. 601.
  - (2) Penetrant check per 20-20-02.
  - (3) Shot peen bore(s) per 20-10-03 and Fig. 601.
  - (4) Refinish per 4.A..
  - (5) Fabricate oversize bushing(s) per Fig. 602, Fig. 603, Fig. 604, Fig. 605, Fig. 606.

**57-53-27**

REPAIR 4-1

01.1

Page 601

Mar 01/00

#### 4. Refinish

- A. Bellcranks (205, 206, 207, 208, IPL Fig. 1; 207, 209, IPL Fig. 6; 204, 206, IPL Fig. 7) -- Chromic acid anodize, type 1 and apply one coat BMS 10-11, type 1 primer (F-18.13). Apply BMS 10-60, BAC 707 gray gloss enamel (SRF-14.9813). Omit primer and enamel from holes for bushings. Material: Aluminum alloy.
- B. Bellcrank assemblies (187, 188, 189, 190, IPL Fig. 1; 189, 191, IPL Fig. 6; 186, 188, IPL Fig. 7) -- After fillet seal has cured, topcoat sealant with BMS 10-60, BAC707 gray gloss enamel (SRF-14.9813).

**57-53-27**

REPAIR 4-1

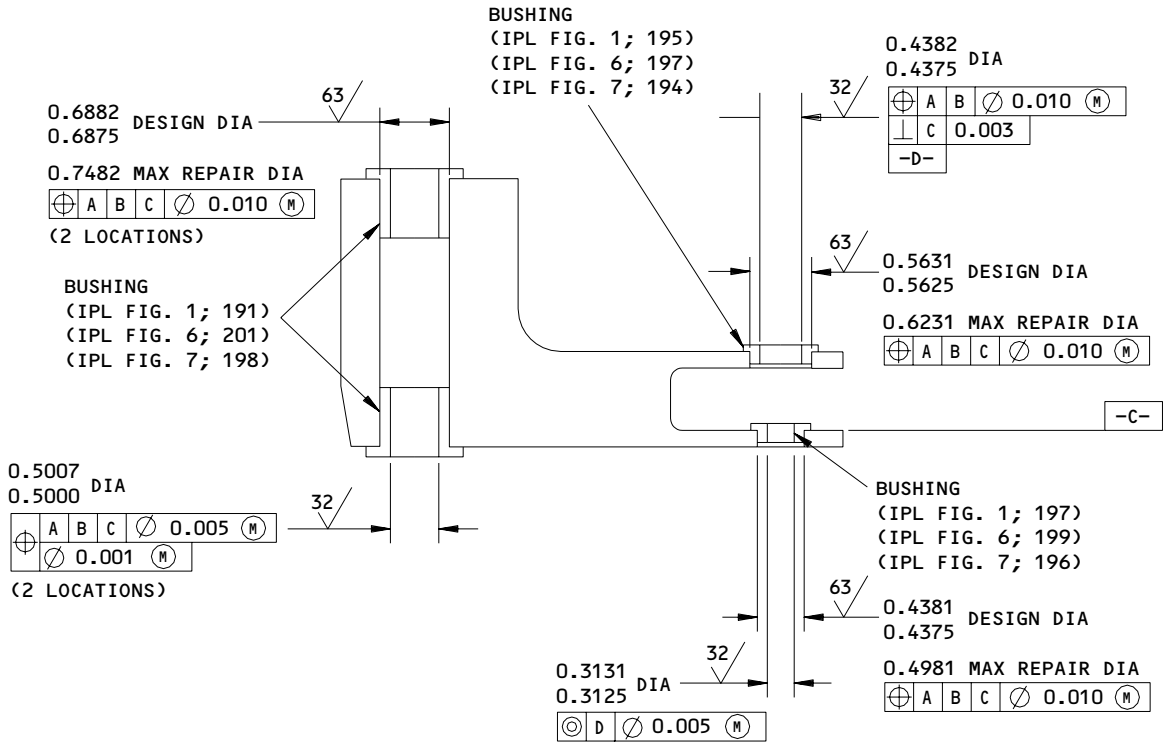
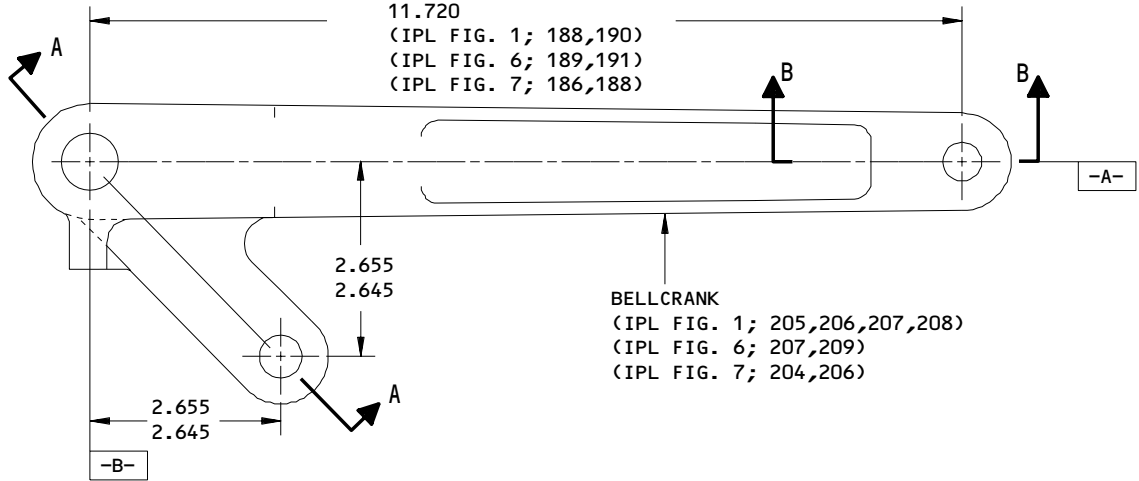
01.1

Page 602

Mar 01/00

**BOEING**  
**COMPONENT  
 MAINTENANCE MANUAL**

11.705  
 11.695  
 (IPL FIG. 1; 187,189)  
 11.730  
 11.720  
 (IPL FIG. 1; 188,190)  
 (IPL FIG. 6; 189,191)  
 (IPL FIG. 7; 186,188)

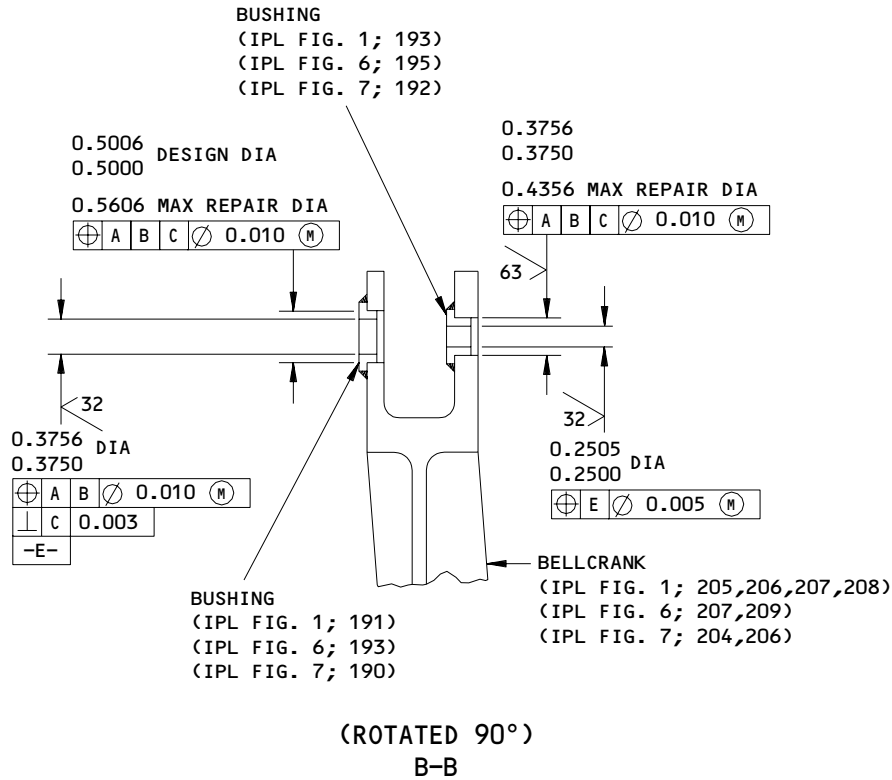


(ROTATED COUNTERCLOCKWISE 45°)  
 A-A

113T2403-1,-2,-7,-8,-11,-12  
 Bushing Replacement  
 Figure 601 (Sheet 1)

**57-53-27**  
 REPAIR 4-1  
 Page 603  
 Mar 01/00





**REPAIR**

SHOT PEEN: 0.023-0.055 SHOT SIZE  
 0.008 A INTENSITY  
 2.0 COVERAGE

PENETRANT CHECK PER SOPM 20-20-02  
 AFTER MACHINING

ALL DIMENSIONS ARE IN INCHES

113T2403-1,-2,-7,-8,-11,-12  
 Bushing Replacement  
 Figure 601 (Sheet 2)

**57-53-27**

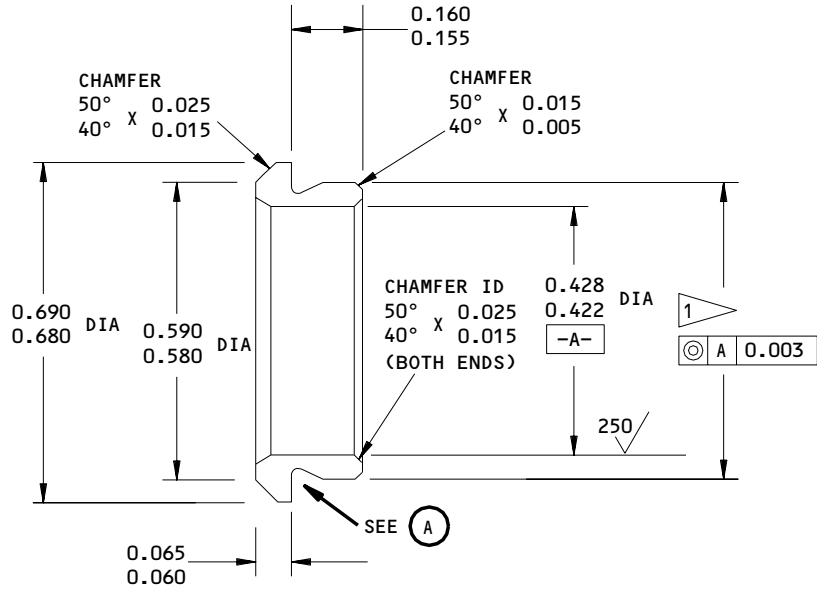
REPAIR 4-1

01.1

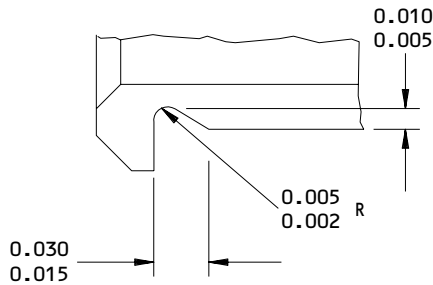
Page 604

Mar 01/00

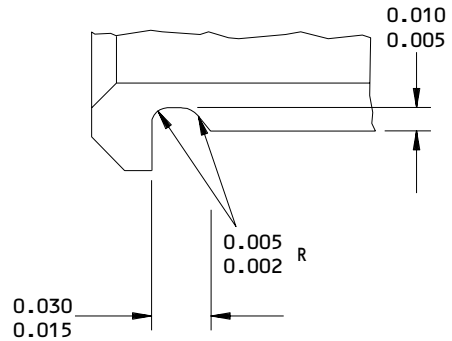
**BOEING**  
**COMPONENT**  
**MAINTENANCE MANUAL**



**OVERSIZE REPLACEMENT FOR BUSHINGS**  
 (IPL FIG. 1; 195)  
 (IPL FIG. 6; 197)  
 (IPL FIG. 7; 194)



**TYPE 1**



**TYPE 2**

**UNDERCUT TYPE 1 OR TYPE 2 OPTIONAL**



1 FINISH DIAMETER (REPAIR DIAMETER OF FITTING PLUS 0.0005-0.0017 INTERFERENCE)

63 ALL MACHINED SURFACES UNLESS SHOWN DIFFERENTLY

MATERIAL: AL-NI-BR PER AMS 4640

ALL DIMENSIONS ARE IN INCHES

**Oversize Bushing Details**  
**Figure 602**

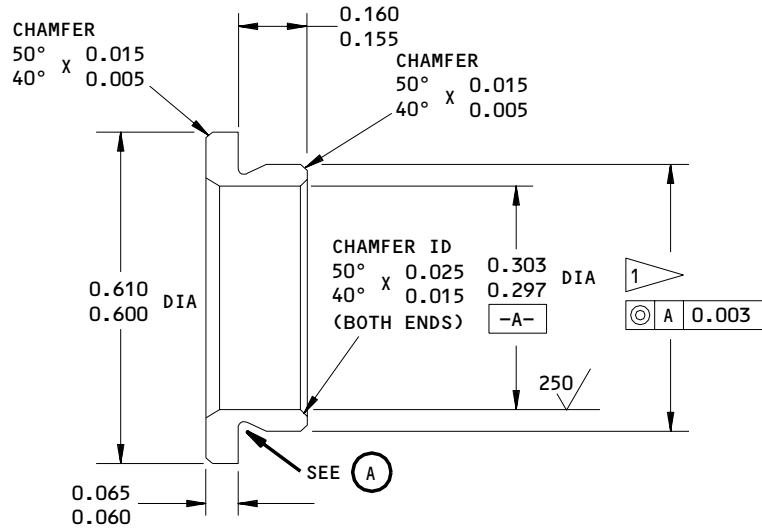
**57-53-27**

REPAIR 4-1

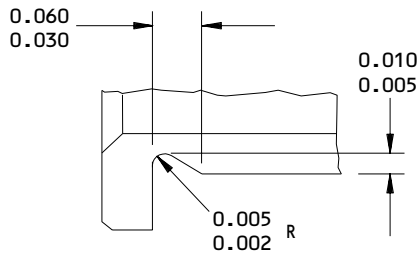
01.1

Page 605

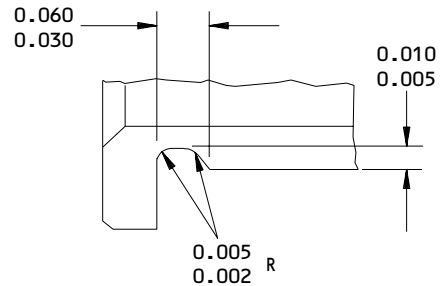
Mar 01/00



**OVERSIZE REPLACEMENT FOR BUSHINGS**  
 (IPL FIG. 1; 197)  
 (IPL FIG. 6; 199)  
 (IPL FIG. 7; 196)



**TYPE 1**



**TYPE 2**

**UNDERCUT TYPE 1 OR TYPE 2 OPTIONAL**



1 FINISH DIAMETER (REPAIR DIAMETER OF FITTING PLUS 0.0005-0.00158 INTERFERENCE)

63/ ALL MACHINED SURFACES UNLESS SHOWN DIFFERENTLY

FINISH: CADMIUM PLATE PER SOPM 20-42-05, TYPE 2, CLASS 2, PLATING IN BORE OPTIONAL

MATERIAL: 15-5PH CRES, 180-200 KSI

ALL DIMENSIONS APPLY AFTER PLATING

ALL DIMENSIONS ARE IN INCHES

**Oversize Bushing Details  
 Figure 603**

**57-53-27**

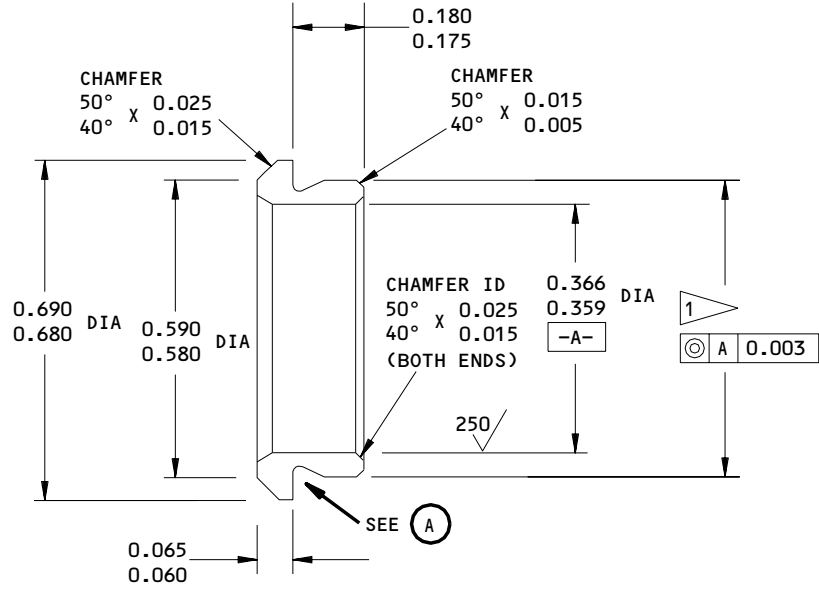
REPAIR 4-1

Page 606

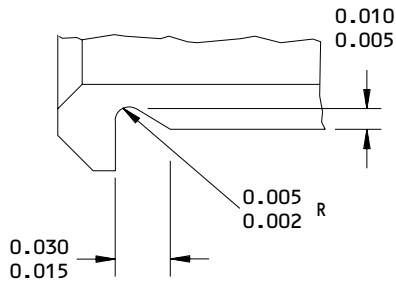
Mar 01/00

01.1

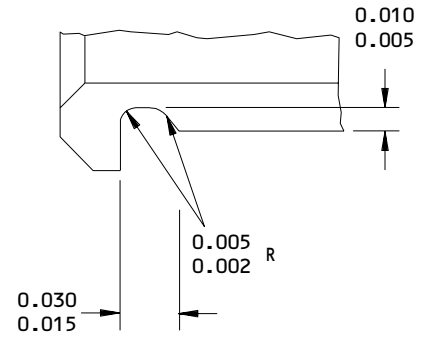
**BOEING**  
**COMPONENT**  
**MAINTENANCE MANUAL**



**OVERSIZE REPLACEMENT FOR BUSHINGS**  
 (IPL FIG. 1; 191)  
 (IPL FIG. 6; 193)  
 (IPL FIG. 7; 190)



**TYPE 1**



**TYPE 2**

**UNDERCUT TYPE 1 OR TYPE 2 OPTIONAL**



1 FINISH DIAMETER (REPAIR DIAMETER OF FITTING PLUS 0.0004-0.0016 INTERFERENCE)

63/ ALL MACHINED SURFACES UNLESS SHOWN DIFFERENTLY

MATERIAL: AL-NI-BR PER AMS 4640  
 ALL DIMENSIONS ARE IN INCHES

**Oversize Bushing Details**  
**Figure 604**

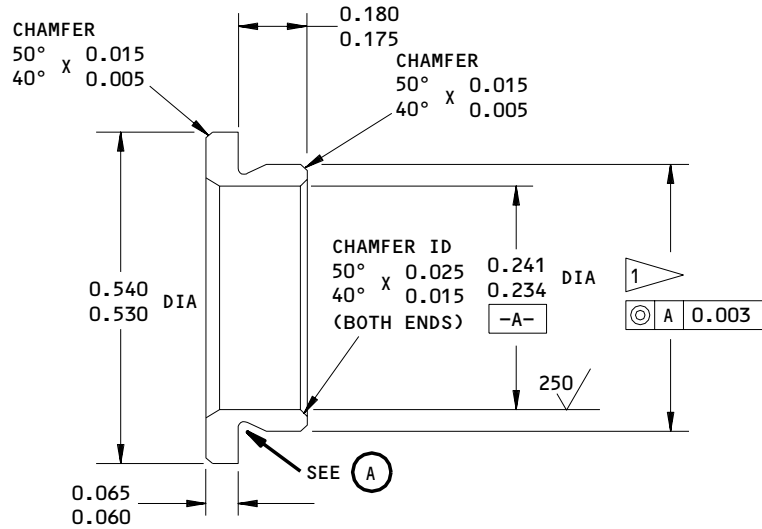
**57-53-27**

REPAIR 4-1

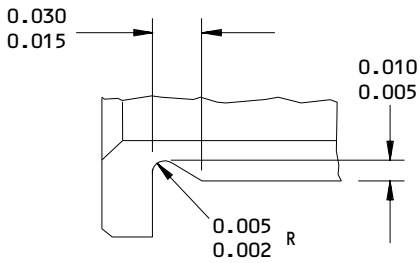
01.1

Page 607

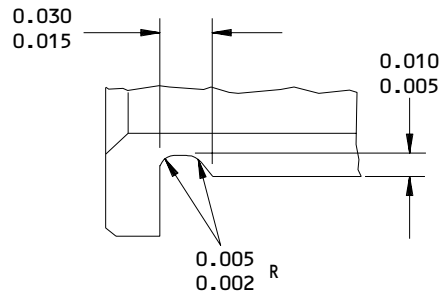
Mar 01/00



**OVERSIZE REPLACEMENT FOR BUSHINGS**  
 (IPL FIG. 1; 193)  
 (IPL FIG. 6; 195)  
 (IPL FIG. 7; 192)



TYPE 1



TYPE 2

UNDERCUT TYPE 1 OR TYPE 2 OPTIONAL



1 FINISH DIAMETER (REPAIR DIA OF FITTING PLUS 0.0003-0.0015 INTERFERENCE)

63 ALL MACHINED SURFACES UNLESS SHOWN DIFFERENTLY

MATERIAL: 15-5PH CRES, 180-200 KSI

FINISH: CADMIUM PLATE PER SOPM 20-42-05, TYPE 2, CLASS 2, PLATING IN BORE OPTIONAL

ALL DIMENSIONS APPLY AFTER PLATING

ALL DIMENSIONS ARE IN INCHES

Oversize Bushing Details  
 Figure 605

**57-53-27**

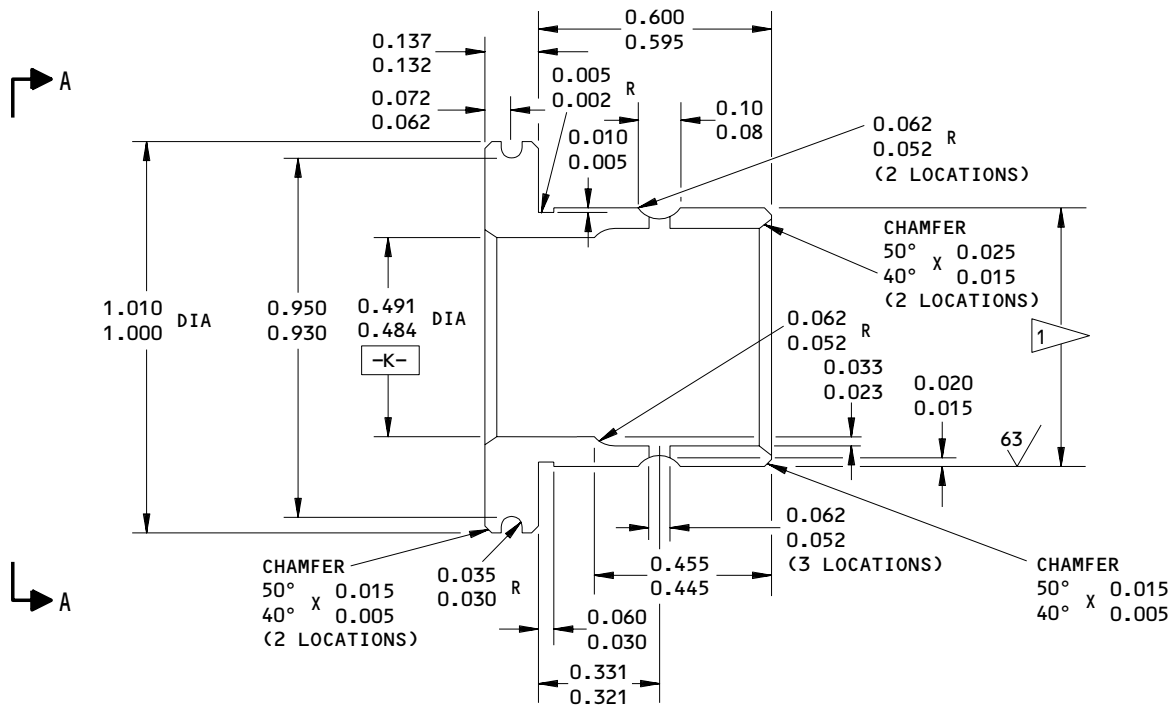
REPAIR 4-1

Page 608

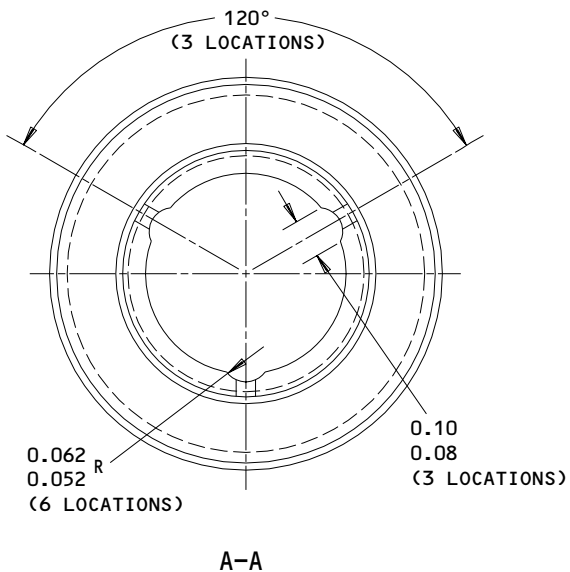
Mar 01/00

01.1

**BOEING**  
COMPONENT  
MAINTENANCE MANUAL



OVERSIZED REPLACEMENT FOR BUSHINGS  
 (IPL FIG. 1; 199)  
 (IPL FIG. 6; 201)  
 (IPL FIG. 7; 198)



1 FINISH DIAMETER (REPAIR DIAMETER OF FITTING PLUS 0.0005-0.0018 INTERFERENCE)

125/ ALL MACHINED SURFACES UNLESS SHOWN DIFFERENTLY

FINISH: CADMIUM PLATE PER SOPM 20-42-05, TYPE 2, CLASS 2, PLATING IN BORE OPTIONAL

MATERIAL: AL-NI-BRZ PER AMS 4640

PENETRANT CHECK PER SOPM 20-20-02 AFTER MACHINING

DIMENSIONS APPLY AFTER PLATING

ALL DIMENSIONS ARE IN INCHES

Oversize Bushing Details  
Figure 606

57-53-27

REPAIR 4-1

01.1

Page 609

Mar 01/00

FITTING ASSEMBLY – REPAIR 5-1

113T2270-1, -10, -11, -401

NOTE: Refer to REPAIR-GEN for list of applicable standard practices.

1. Bushing (237, 239, IPL Fig. 1; 235, 237, IPL Fig. 6; 240, 242, IPL Fig. 7) Replacement

- A. Remove bushings.
- B. Check hole for damage or corrosion and repair if necessary per 2..
- C. Install bushings per 20-50-03 using wet BMS 5-95, class B sealant.
- D. Machine bushings as shown on Fig. 601.
- E. Fillet seal periphery of bushing flanges using BMS 5-95, class B sealant.

2. Repair

- A. Repair hole for bushing (237, 239, IPL Fig. 1; 235, 237, IPL Fig. 6; 240, 242, IPL Fig. 7).

- (1) Maching fitting (247, 248, IPL Fig. 1; 245, IPL Fig. 6; 250, IPL Fig. 7) as required to remove discrepancies, per Fig. 601.

- (2) Penetrant check per 20-20-02.

- (3) Shot peen bore(s) per 20-10-03 and Fig. 601.

- (4) Refinish per 5.B..

- (5) Fabricate oversize bushing(s) per Fig. 602 thru Fig. 604.

3. Filler (241, IPL Fig. 1; 239, IPL Fig. 6; 244, IPL Fig. 7) Replacement

- A. Remove filler.

- B. Clean fitting (247, 248, IPL Fig. 1; 245, IPL Fig. 6; 250, IPL Fig. 7) of old bonding material.

- C. Bond filler to fitting as shown on Fig. 601 per 20-50-12, type 44 except use BMS 5-95, class B sealant.

4. Plate (243, 245, IPL Fig. 1; 241, 243, IPL Fig. 6; 246, 248, IPL Fig. 7) Replacement

- A. Remove plates.

**57-53-27**

REPAIR 5-1

01.1

Page 601

Mar 01/00

- B. Clean fitting (247, 248, IPL Fig. 1, 245 IPL Fig. 6; 250, IPL Fig. 7) of the old bonding material.
- C. Bond plates to fitting per 20-50-12, type 44, except use BMS 5-95, class B sealant.
- D. Prior to applying enamel fill gaps between edges of plates and fitting to fair using BMS 5-95, class B sealant as shown on Fig. 601, section A-A.

5. Refinish

- A. Plates (243, 245, IPL Fig. 1; 241, 243, IPL Fig. 6; 246, 248, IPL Fig. 7) -- Chromic acid anodize and apply BMS 10-11, type 1 primer (F-18.13) all over. Material: Aluminum alloy.
- B. Fitting (247, 248, IPL Fig. 1; 245, IPL Fig. 6; 250, IPL Fig. 7) -- Boric acid-sulfuric acid anodize or chromic acid anodize (F-17.31) all over and apply BMS 10-79, type 3 primer (F-19.47), except as noted in Fig. 601 and Fig. 602.
- C. Fitting assembly (209, 210, IPL Fig. 1; 211, IPL Fig. 6; 208, IPL Fig. 7) -- Apply BMS 10-60, BAC707 gray gloss enamel (F-19.39) in areas as noted in Fig. 601 and Fig. 602. Do not apply enamel to the bushing holes or to the serrated surface.

**57-53-27**

REPAIR 5-1

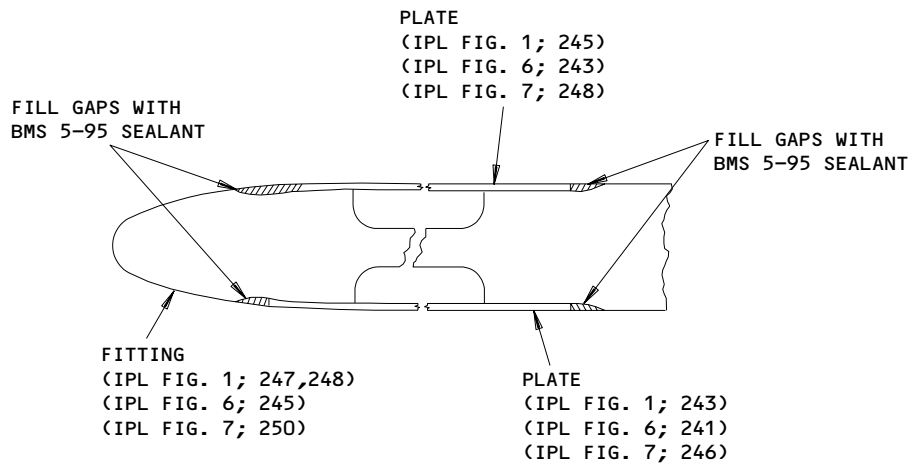
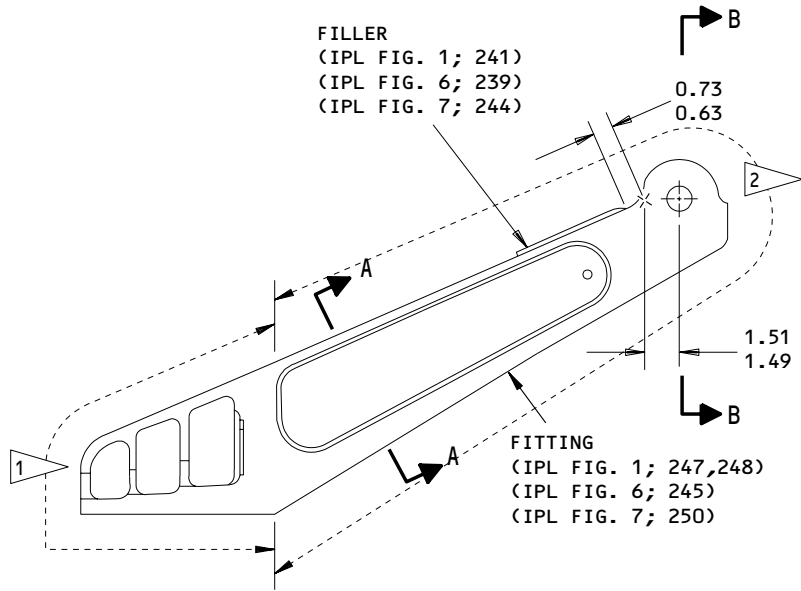
01.1

Page 602

Mar 01/00



**BOEING**  
 COMPONENT  
 MAINTENANCE MANUAL



A-A

113T2270-1,-10,-11,-401  
 Replacement Diagram  
 Figure 601 (Sheet 1)

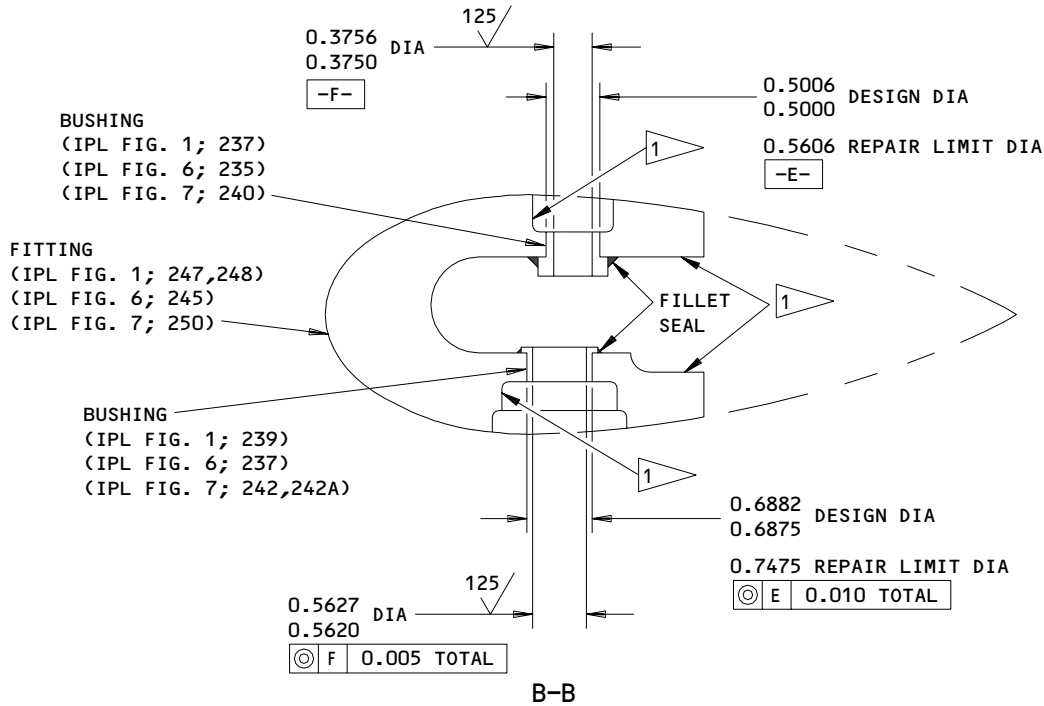
**57-53-27**

REPAIR 5-1

Page 603

Mar 01/00

01.1



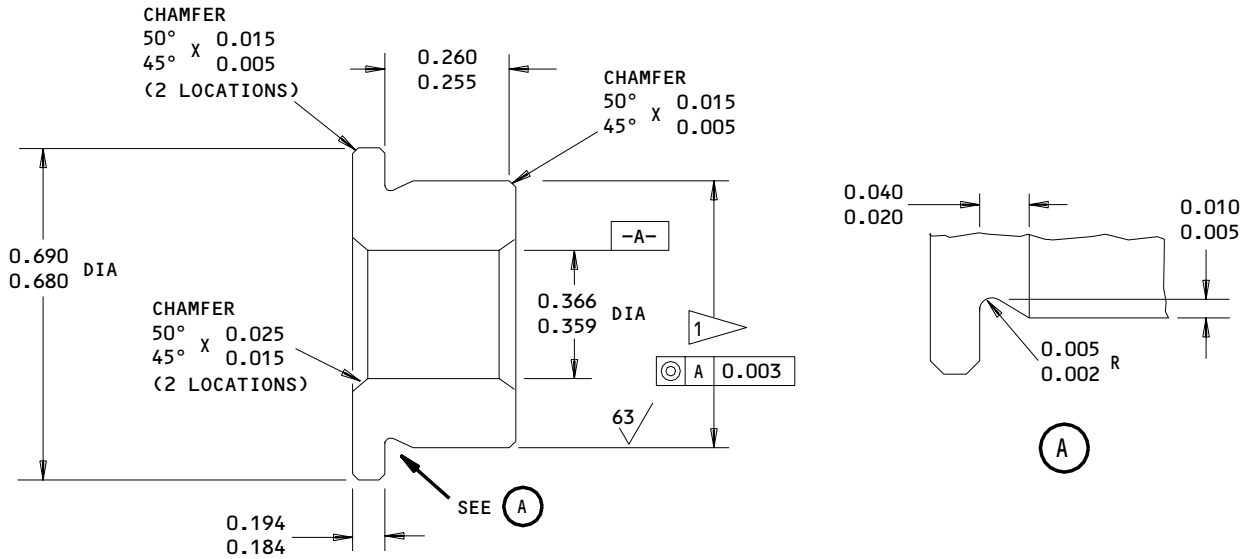
- 1 APPLY PRIMER (F-19.47) AND ENAMEL (F-19.39), EXCEPT NO PRIMER IN BUSHING HOLES AND NO ENAMEL IN BUSHING HOLES OR ON SERRATED SURFACE
- 2 APPLY PRIMER (F-19.47) EXCEPT AS SHOWN PER 1

MATERIAL: 7075-T411 AL ALLOY  
 SHOT PEEN: 0.023-0.055 SHOT SIZE  
 0.006 A INTENSITY  
 2.0 COVERAGE  
 PENETRANT CHECK SOPM 20-20-02  
 ALL DIMENSIONS ARE IN INCHES

113T2270-1,-10,-11,-401  
 Bushing Replacement  
 Figure 601 (Sheet 2)

**57-53-27**  
 REPAIR 5-1  
 Page 604  
 Mar 01/00

01.1



**OVERSIZE REPLACEMENT BUSHINGS**  
 (IPL FIG. 1; 237)  
 (IPL FIG. 6; 235)  
 (IPL FIG. 7; 240)

1 FINAL BUSHING OUTSIDE DIAMETER EQUALS REPAIR DIAMETER OF FITTING PLUS 0.0010-0.0016 INTERFERENCE

125/ ALL MACHINED SURFACES UNLESS SHOWN DIFFERENTLY

MAGNETIC PARTICLE CHECK PER SOPM 20-20-01

MATERIAL: 15-5PH HT 180-200 KSI

FINISH: CADMIUM PLATE PER QQ-P-416, TYPE 2, CLASS 2 (F-15.06) PER SOPM 20-42-05

DIMENSIONS APPLY AFTER PLATING

ALL DIMENSIONS ARE IN INCHES

Oversize Bushing Details  
 Figure 602

210826

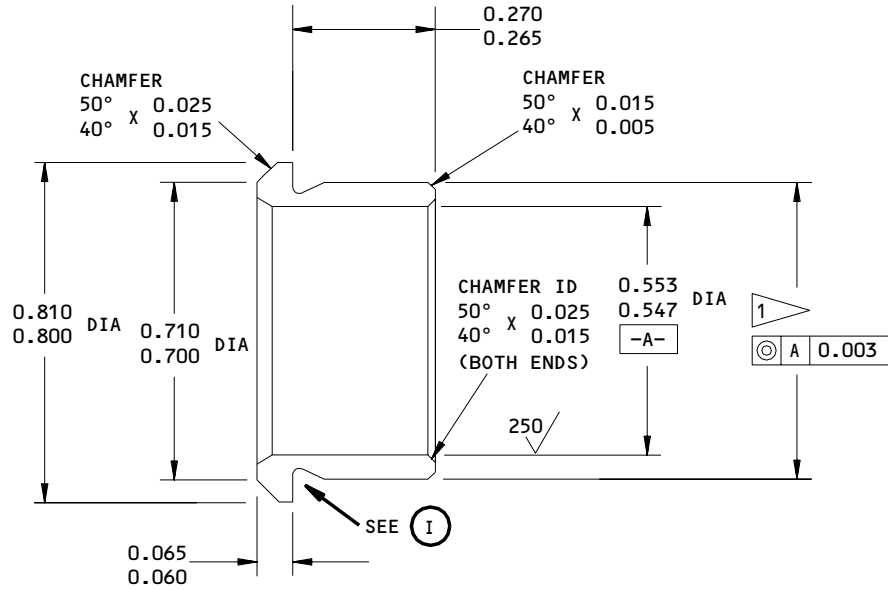
**57-53-27**

REPAIR 5-1

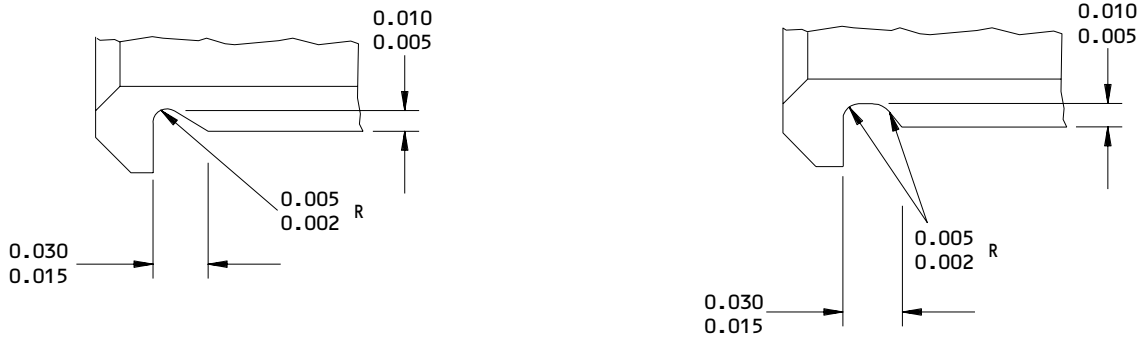
01.1

Page 605

Mar 01/00



**OVERSIZE REPLACEMENT FOR BUSHINGS**  
 (IPL FIG. 1; 239)  
 (IPL FIG. 6; 237)  
 (IPL FIG. 7; 242)



**UNDERCUT - TYPE 1 OR TYPE 2 OPTIONAL**

(I)

1 FINISH DIAMETER (REPAIR DIA OF FITTING PLUS 0.0005-0.0018 INTERFERENCE)

63/ ALL MACHINED SURFACES UNLESS SHOWN DIFFERENTLY

MATERIAL: AL-NI-BR PER AMS 4640

FINISH: CADMIUM PLATE PER SOPM 20-42-05, TYPE 2, CLASS 2, PLATING IN BORE OPTIONAL

ALL DIMENSIONS ARE IN INCHES

**Oversize Bushing Details**  
**Figure 603**

**57-53-27**

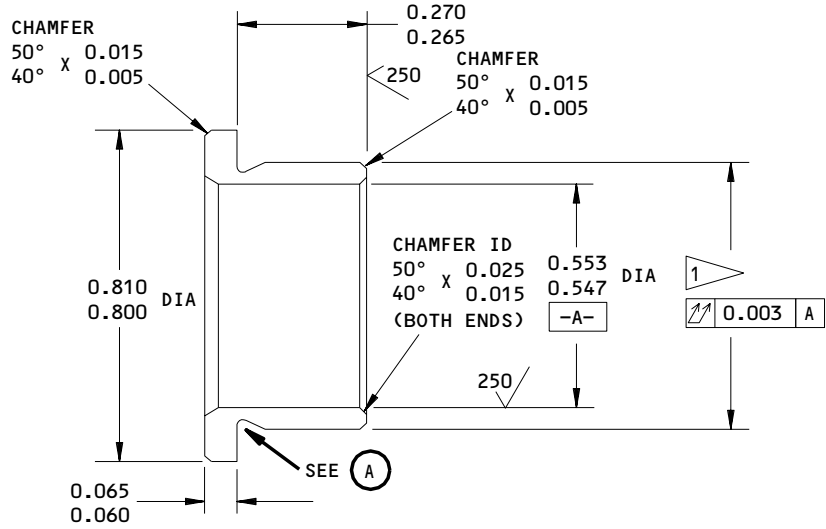
REPAIR 5-1

Page 606

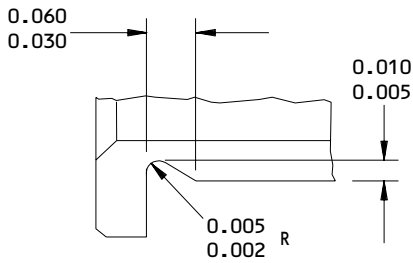
Mar 01/00

01.1

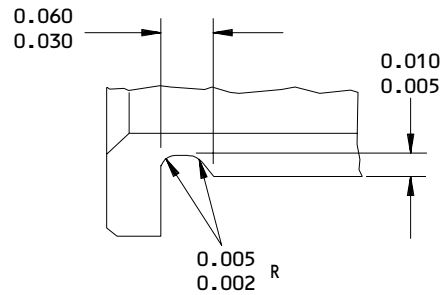
**BOEING**  
**COMPONENT**  
**MAINTENANCE MANUAL**



**OVERSIZE REPLACEMENT FOR BUSHING**  
**(IPL FIG. 7; 242A)**



**TYPE 1**



**TYPE 2**

**UNDERCUT TYPE 1 OR TYPE 2 OPTIONAL**



**1** FINISH DIAMETER (REPAIR DIA OF FITTING PLUS 0.0006-0.0018 INTERFERENCE)

**63** ALL MACHINED SURFACES UNLESS SHOWN DIFFERENTLY

**MATERIAL:** AL-NI-BR PER AMS 4640

**FINISH:** CADMIUM PLATE PER SOPM 20-42-05, TYPE 2, CLASS 2, PLATING IN BORE OPTIONAL

ALL DIMENSIONS APPLY AFTER PLATING

ALL DIMENSIONS ARE IN INCHES

**Oversize Bushing Details**  
**Figure 604**

**57-53-27**

REPAIR 5-1

01.1

Page 607

Mar 01/00

FITTING ASSEMBLY – REPAIR 6-1

113T2280-1

NOTE: Refer to REPAIR-GEN for list of applicable standard practices.

1. Bushing (271, 273, IPL Fig. 1; 269, 271, IPL Fig. 6; 270, 272, IPL Fig. 7) Replacement

- A. Remove bushings.
- B. Check hole for damage or corrosion and repair if necessary per 2..
- C. Install bushings per 20-50-03 using wet BMS 5-95, class B sealant.
- D. Machine bushings as shown in Fig. 601.
- E. Fillet seal entire periphery of bushing flanges using BMS 5-95, class B sealant.

2. Repair

- A. Repair hole for bushing (271, 273, IPL Fig. 1; 269, 271, IPL Fig. 6; 270, 272, IPL Fig. 7).
  - (1) Maching fitting (274, IPL Fig. 1; 273, IPL Fig. 6; 274, IPL Fig. 7) as required to remove discrepancies, per Fig. 601.
  - (2) Magnetic particle check per 20-20-02.
  - (3) Refinish per 3.A.
  - (4) Fabricate oversize bushing(s) per Fig. 602, Fig. 603.

3. Refinish

- A. Fitting (274, IPL Fig. 1; 273, IPL Fig. 6; 274, IPL Fig. 7) -- Cadmium plate (0.0002-0.0004 inch), type 2, class 3 (F-15.02) all over. Apply one coat BMS 10-11, type 1 primer (F-20.02) and apply BMS 10-60, BAC707 gray gloss enamel (SRF-14.9813). Omit primer and enamel from holes for bushings and on threads. Material: 15-5PH CRES, 180-200 ksi.
- B. Fitting assembly (265, IPL Fig. 1; 267, IPL Fig. 6; 268, IPL Fig. 7) -- After fillet seal has cured, topcoat sealant with BMS 10-60, BAC707 gray gloss enamel (SRF-14.9813).

**57-53-27**

REPAIR 6-1

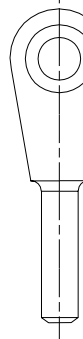
01.1

Page 601

Mar 01/00

A ←

-B-



FITTING ASSEMBLY  
 (IPL FIG. 1; 265)  
 (IPL FIG. 6; 267)  
 (IPL FIG. 7; 268)

A ←

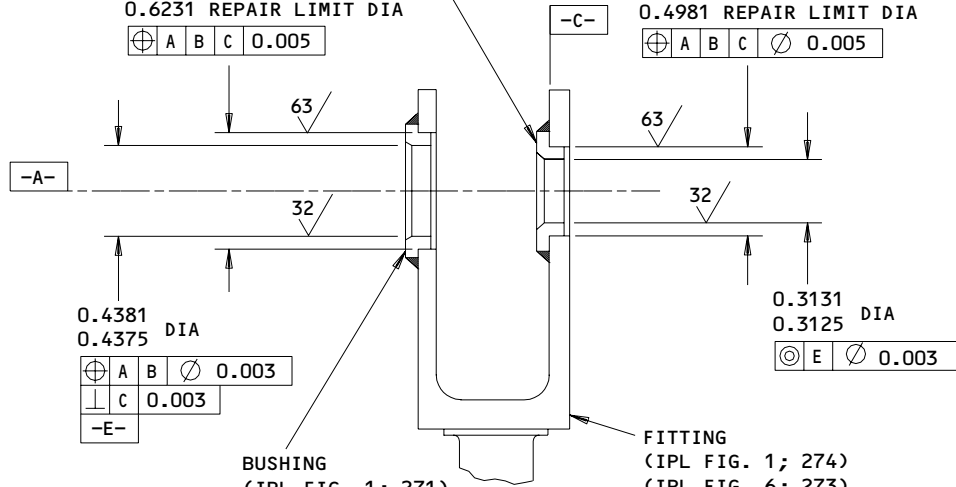
BUSHING  
 (IPL FIG. 1; 273)  
 (IPL FIG. 6; 271)  
 (IPL FIG. 7; 272)

0.5631 DESIGN DIA  
 0.5625  
 0.6231 REPAIR LIMIT DIA  

⊕	A	B	C	0.005
---	---	---	---	-------

0.4381 DESIGN DIA  
 0.4375  
 0.4981 REPAIR LIMIT DIA  

⊕	A	B	C	∅ 0.005
---	---	---	---	---------



0.4381  
 0.4375 DIA  

⊕	A	B	∅ 0.003
⊥	C	0.003	

  
 -E-

0.3131  
 0.3125 DIA  

⊙	E	∅ 0.003
---	---	---------

BUSHING  
 (IPL FIG. 1; 271)  
 (IPL FIG. 6; 269)  
 (IPL FIG. 7; 270)

FITTING  
 (IPL FIG. 1; 274)  
 (IPL FIG. 6; 273)  
 (IPL FIG. 7; 274)

A-A

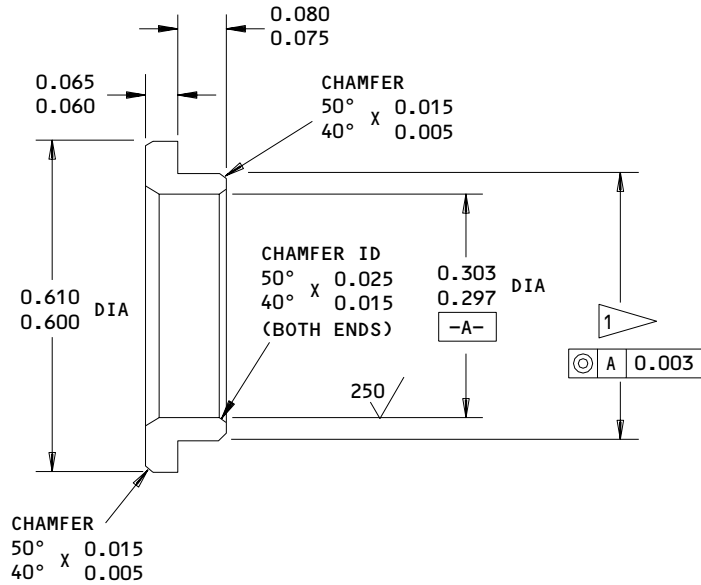
MATERIAL: 15-5PH, HT 180-200 KSI  
 MAGNETIC PARTICLE CHECK  
 SOPM 20-20-01 AFTER MACHINING  
 ALL DIMENSIONS ARE IN INCHES

113T2280-1  
 Bushing Replacement  
 Figure 601

**57-53-27**

REPAIR 6-1  
 Page 602  
 Mar 01/00

01.1



**OVERSIZE REPLACEMENT FOR BUSHINGS**  
 (IPL FIG. 1; 273)  
 (IPL FIG. 6; 271)  
 (IPL FIG. 7; 272)

**1** FINISH DIAMETER (REPAIR DIAMETER OF FITTING PLUS 0.0003-0.0015 INTERFERENCE)

**63** ALL MACHINED SURFACES UNLESS SHOWN DIFFERENTLY

MATERIAL: 15-5PH CRES, 180-200 KSI

FINISH: CADMIUM PLATE PER SOPM 20-42-05, TYPE 2, CLASS 2, PLATING IN BORE OPTIONAL

ALL DIMENSIONS APPLY AFTER PLATING

ALL DIMENSIONS ARE IN INCHES

Oversize Bushing Details  
 Figure 602

**57-53-27**

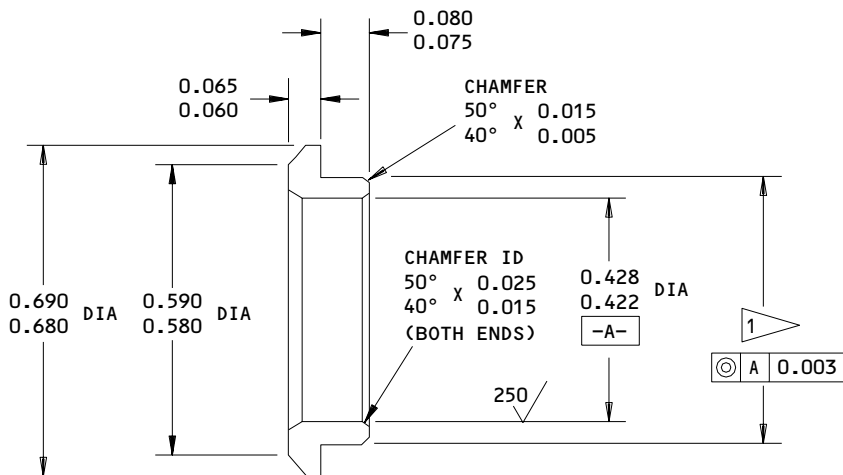
REPAIR 6-1

01.1

Page 603

Mar 01/00





**OVERSIZE REPLACEMENT FOR BUSHINGS**  
 (IPL FIG. 1; 271)  
 (IPL FIG. 6; 269)  
 (IPL FIG. 6; 270)

**1** FINISH DIAMETER (REPAIR DIAMETER OF FITTING PLUS 0.0005-0.0017 INTERFERENCE)

**63** ALL MACHINED SURFACES UNLESS SHOWN DIFFERENTLY

MATERIAL: AL-NI-BR PER AMS 4640

FINISH: CADMIUM PLATE PER SOPM 20-42-05, TYPE 1, CLASS 2, PLATING IN BORE OPTIONAL

ALL DIMENSIONS ARE IN INCHES

Oversize Bushing Details  
 Figure 603

**57-53-27**

REPAIR 6-1

Page 604

Mar 01/00

01.1

HINGE FITTING ASSEMBLY – REPAIR 7-1

113T2271-13, -14, -23, -24, -29, -30, -33, -34, -43, -44, -401,  
 -402, -419, -420

NOTE: Refer to REPAIR – GENERAL for a list of applicable standard practices.

CAUTION: FITTING ASSEMBLIES [(303A, 307A), (303A, 310), (305A, 309A), AND (305A, 310G) IPL Fig. 1] [(303, 307), (305, 309) IPL Fig. 6] [(308, 312), (308A, 312A), (308B, 312B), (308C, 312C), (310, 314), (310A, 314A) (310B, 314B), (310C, 314C) IPL Fig. 7] ARE MATCHED SETS WHICH MUST BE KEPT TOGETHER.

1. Bushing (311, 313, 317, 319, IPL Fig. 1; 311, 313, 317, 319, IPL Fig. 6; 316, 316A, 318, 322, 324, IPL Fig. 7) Replacement

- A. Remove bushings and washers (321, 323, IPL Fig. 1, 321, 323, IPL Fig. 6; 326, 328, IPL Fig. 7).
- B. Check hole for damage or corrosion and repair if necessary per 2.
- C. Install washers with faying surface seal of BMS 5-95, Class B sealant between fittings and washers.
- D. Install bushings per SOPM 20-50-03 using wet BMS 5-95, Class B sealant.
- E. Position halves of matched sets such that faces of bushings (317, 319, IPL Fig. 1; 317, 319 IPL Fig. 6; 322, 324, IPL Fig. 7) are in dimensional relationship shown in Fig. 601, section A-A.
- F. Machine bushings as shown in Fig. 601.
- G. Fillet seal entire periphery of flanges of bushings (311, 313, IPL Fig. 1; 311, 313, IPL Fig. 6; 316, 316A, 318, IPL Fig. 7) using BMS 5-95, class B sealant.
- H. After enamel has been applied fill cavity in fitting assemblies (303A, 305A, IPL Fig. 1; 303, 305, IPL Fig. 6; 308, 310, 312, 314, IPL Fig. 7) as shown in Fig. 601, Section B-B with BMS 5-95, Class B sealant.

2. Repair

- A. Repair hole for bushing (311, 313, 317, 319, IPL Fig. 1 ; 311, 313, 317, 319, IPL Fig 6; 316, 316A, 318, 322, 324, IPL Fig. 7).
  - (1) Machine fitting (325A, 327A, 329, 331, 332, 332G, IPL Fig. 1; 325, 327, 329, 331, IPL Fig. 6; 330, 332, 334, 336, IPL Fig. 7) as required to remove discrepancies, per Fig. 601.
  - (2) Penetrant check per SOPM 20-20-02.

**57-53-27**

REPAIR 7-1

01.1

Page 601

Mar 01/04

- (3) Shot peen bore(s) per SOPM 20-10-03 and Fig. 601.
- (4) Refinish per 4.A..
- (5) Fabricate oversize bushing(s) per Fig. 602, Fig. 603, Fig. 604, Fig. 605, Fig. 606.

### 3. Bearing (315, IPL Fig. 1; 315, IPL Fig. 6; 320, IPL Fig. 7) Replacement

- A. Remove bearing.
- B. Install bearing per SOPM 20-50-03 using wet BMS 5-95, Class B sealant and roller swage. Pushout load shall be 1600 pounds minimum.

### 4. Refinish

- A. Fittings (325A, 327A, 329, 331, 332, 332G, IPL Fig. 1; 325, 327, 329, 331, IPL Fig. 6; 330, 332, 334, 336, IPL Fig. 7) -- Boric acid-sulfuric acid anodize or chromic acid anodize (F-17.31) and apply BMS 10-11 Type 1 primer (F-20.02). Apply BMS 10-60, BAC707 gray gloss enamel (SRF-14.9813). Omit primer and enamel from holes for bushings and bearing. Material: Aluminum alloy.
- B. Fittings (330B, 330C, 332B, 332C, IPL Fig. 7) -- Chromic acid anodize (F-17.04) and apply BMS 10-11, Type 1 primer (F-20.02). Apply BMS 10-60, BAC707 gray gloss enamel (SRF-14.9813). Omit anodize, primer and enamel from holes for bushings and bearing. Apply chemical coating (F-17.10) to the holes for the bushings. Material: Aluminum alloy.
- C. Fittings (330D, 332D, 334B, 336B, IPL Fig. 7) -- Boric acid-sulfuric acid anodize or chromic acid anodize (F-17.31) and apply BMS 10-11, Type 1 primer (F-20.02). Apply BMS 10-60, BAC707 gray gloss enamel (SRF-14.9813). Omit primer and enamel from holes for bushings and bearing. Optional to omit anodize (F-17.31) and apply chemical coating (F-17.10) to the holes for the bushings. Material: Aluminum alloy.
- D. Washers (321, 323, IPL Fig. 1; 321, 323, IPL Fig. 6; 326, 328, IPL Fig. 7) -- Cadmium plate, Type 2, Class 2 and apply one coat BMS 10-11, Type 1 primer (F-16.01) all over. Material: 302 CRES.
- E. Fitting assemblies (303A, 305A, 307A, 309A, 310, IPL Fig. 1; 303, 307, 305, 309, IPL Fig. 6; 308, 310, 312, 314, IPL Fig. 7) -- After fillet seal around bushings (311, 313, IPL Fig. 1; 311, 313, IPL Fig. 6; 316, 316A, 318, IPL Fig. 7) has cured, topcoat sealant with BMS 10-60, BAC707 gray gloss enamel (SRF-14.9813).

**57-53-27**

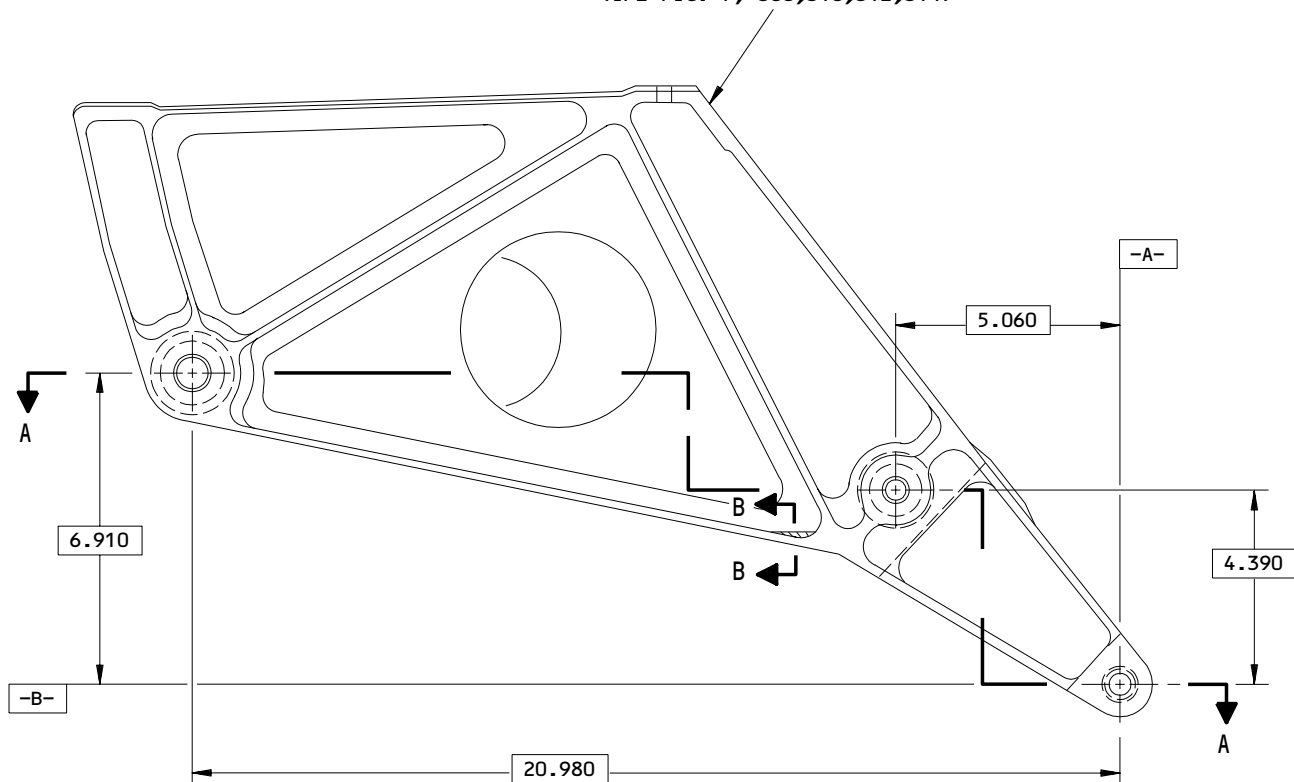
REPAIR 7-1

01.1

Page 602

Mar 01/04

FITTING ASSEMBLY  
(IPL FIG. 1; 303A,305A,307A,309A,310,310G)  
(IPL FIG. 6; 303,305,307,309,)  
(IPL FIG. 7; 308,310,312,314)



ALL DIMENSIONS ARE IN INCHES

113T2271-13,-14,-23,-24,-29,-30,-33,-34,-43,-44,-401,-402,-419,-420  
Hinge Fitting Assembly Repair  
Figure 601 (Sheet 1)

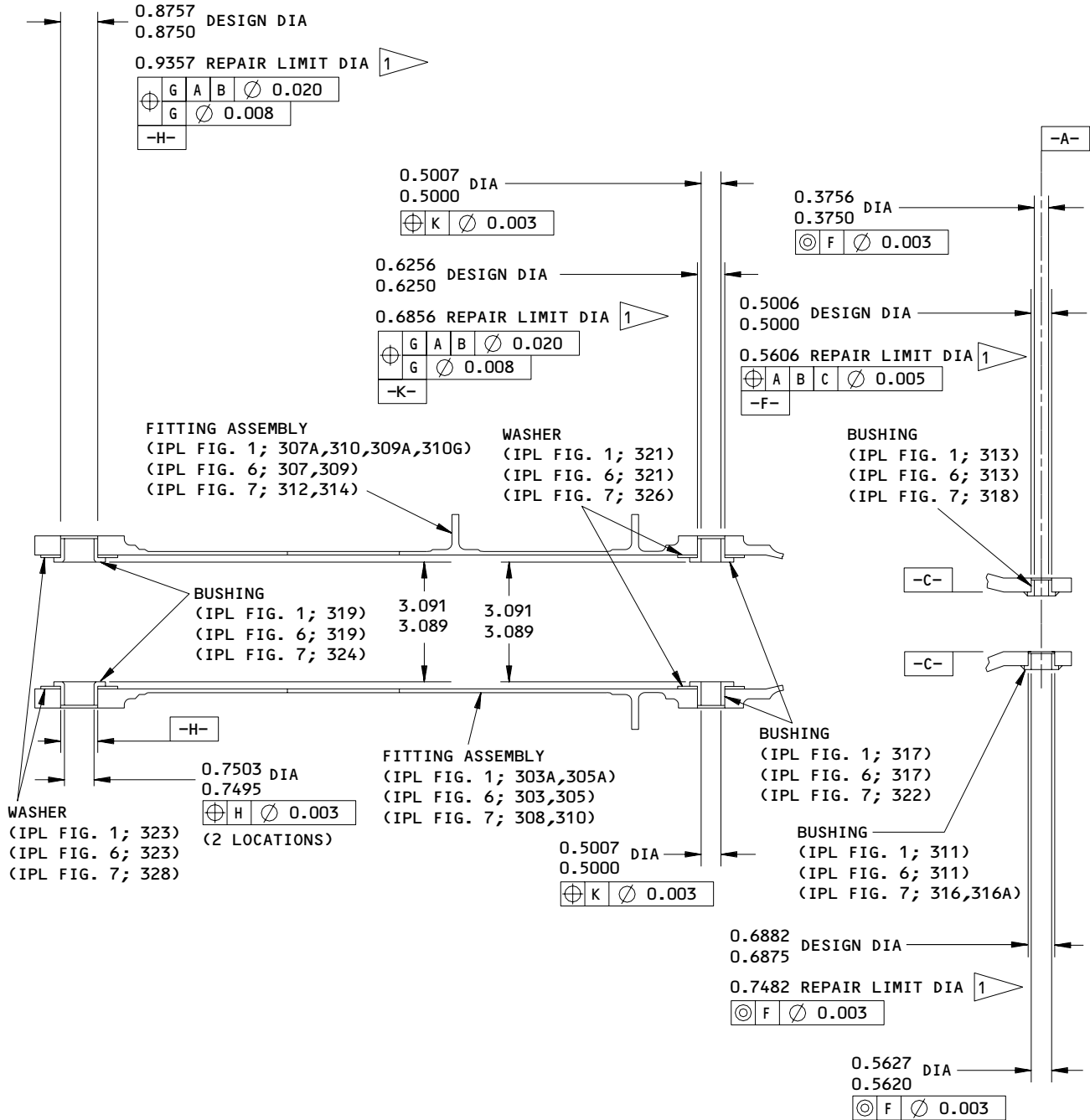
**57-53-27**

REPAIR 7-1

01.1

Page 603

Mar 01/04



113T2271-13,-14,-23,-24,-29,-30,-33,-34,-43,-44  
 A-A

113T2271-13,-14,-23,-24,-29,-30,-33,-34,-43,-44,-401,-402,-419,-420  
 Hinge Fitting Assembly Repair  
 Figure 601 (Sheet 2)

**57-53-27**

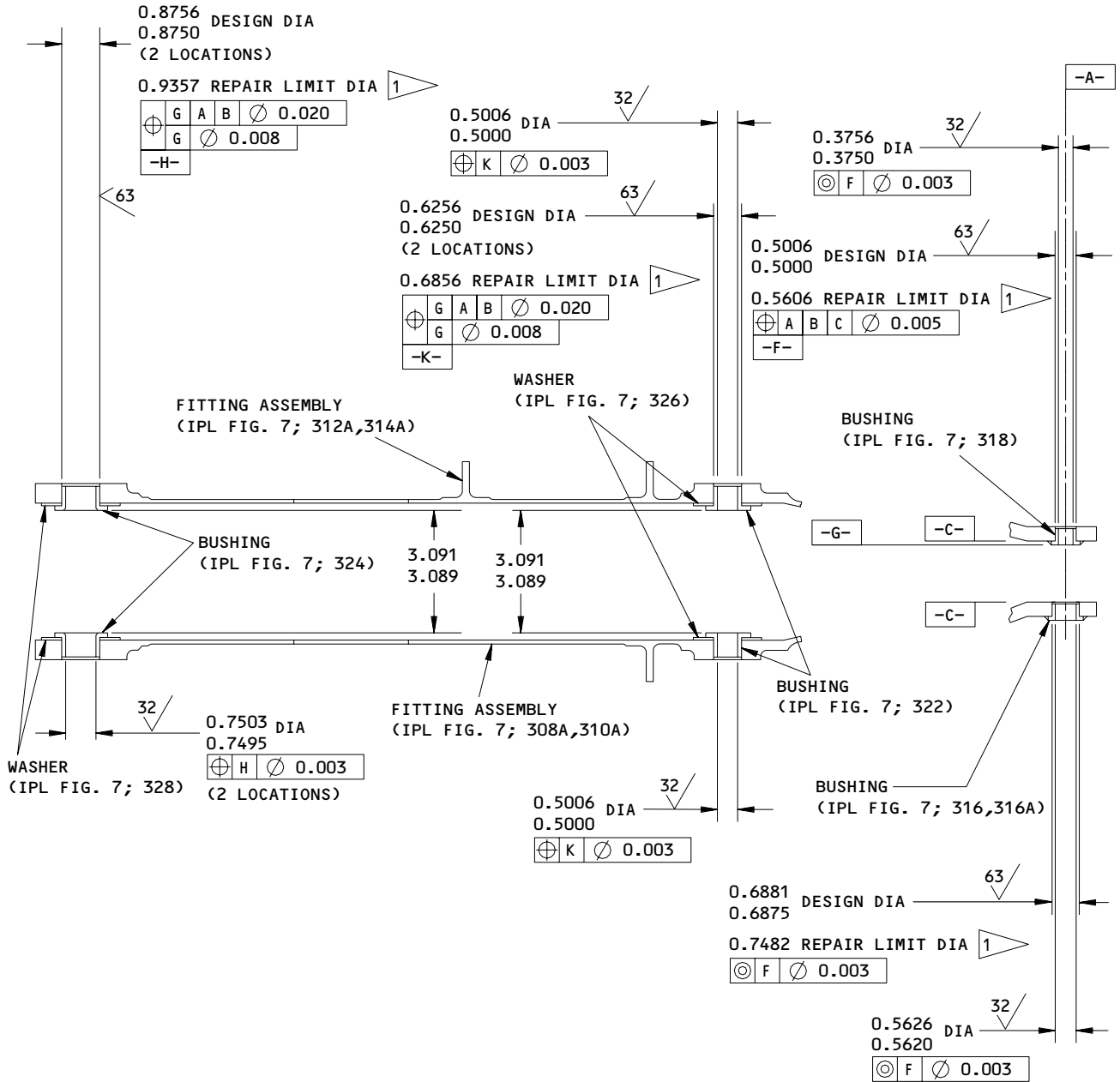
REPAIR 7-1

01.1

Page 604

Mar 01/04

**BOEING**  
**COMPONENT**  
**MAINTENANCE MANUAL**



113T2271-401,-402,-419,-420  
 A-A

113T2271-13,-14,-23,-24,-29,-30,-33,-34,-43,-44,-401,-402,-419,-420  
 Hinge Fitting Assembly Repair  
 Figure 601 (Sheet 3)

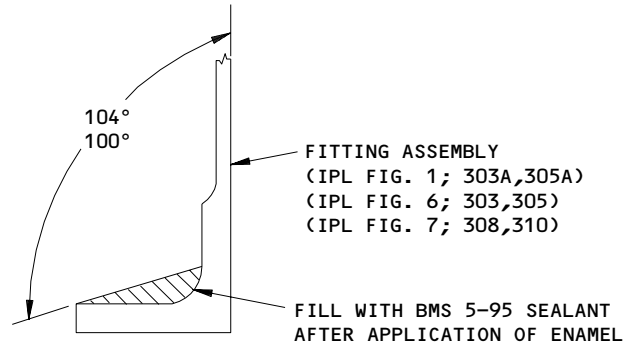
**57-53-27**

REPAIR 7-1

01.1

Page 605

Mar 01/04



B-B

**CAUTION:**

**FITTING ASSEMBLIES**  
 (IPL FIG. 1; [303A,307A],[303A,310],[305A,309A],  
 [305A,310G])  
 (IPL FIG. 6; [303,307],[305,309])  
 (IPL FIG. 7; [308,312],[308A,312A],[308B,312B],  
 [308C,312C],[310,314],[310A,314A],[310B,314B],  
 [310C,314C]).

COMPRISE MATCHED SETS. THESE MATCHED SETS MUST  
 BE KEPT TOGETHER TO ENSURE OPERATION AFTER  
 ASSEMBLY

**MATERIAL:** 7075-T73 AL ALLOY

**SHOT PEEN:** 0.023-0.055 SHOT SIZE  
 0.004A-0.007 A INTENSITY  
 2.0 COVERAGE

ALL DIMENSIONS ARE IN INCHES

1 REPAIR LIMIT APPLIES TO 113T2271-13,-14,  
 -23,-24,-29,-30,-33,-34,-401,-402 ONLY

113T2271-13,-14,-23,-24,-29,-30,-33,-34,-43,-44,-401,-402,-419,-420  
 Hinge Fitting Assembly Repair  
 Figure 601 (Sheet 4)

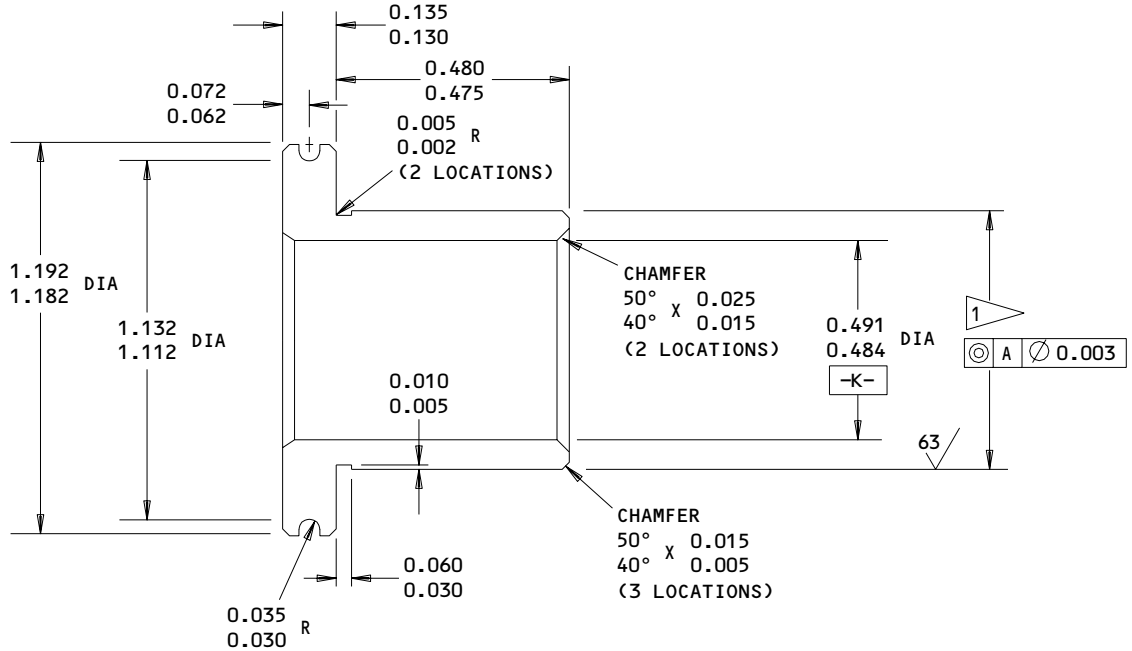
**57-53-27**

REPAIR 7-1

01.1

Page 606

Mar 01/04



**OVERSIZE REPLACEMENT BUSHINGS**  
 (IPL FIG. 1; 317)  
 (IPL FIG. 6; 317)  
 (IPL FIG. 7; 322)

1 FINAL BUSHING OUTSIDE DIAMETER EQUALS REPAIR OF FITTING PLUS 0.0005-0.0017 INTERFERENCE

125/ ALL MACHINED SURFACES UNLESS SHOWN DIFFERENTLY

MAGNETIC PARTICLE CHECK PER SOPM 20-20-01

MATERIAL: 15-5PH, HT TR 180-200 KSI

FINISH: CADMIUM PLATE PER QQ-P-416, TYPE 2, CLASS 2 (F-15.06) PER SOPM 20-42-05

DIMENSIONS APPLY AFTER PLATING

ALL DIMENSIONS ARE IN INCHES

Oversize Bushing Details  
 Figure 602

210840

**57-53-27**

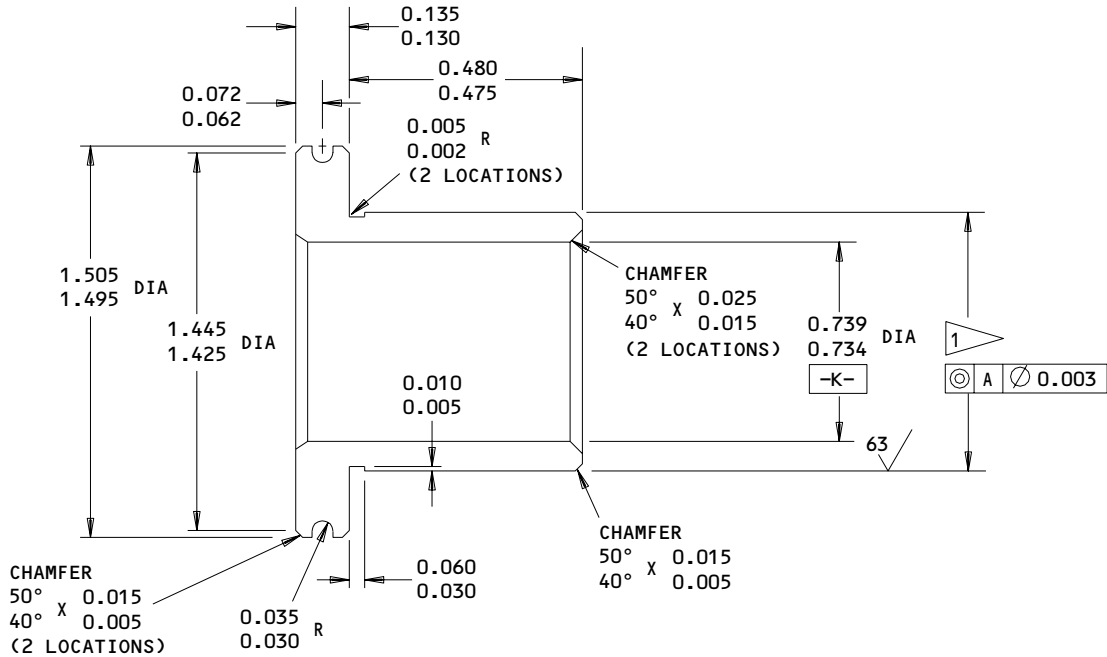
REPAIR 7-1

01.101

Page 607

Mar 01/04





**OVERSIZE REPLACEMENT BUSHINGS**  
 (IPL FIG. 1; 319)  
 (IPL FIG. 6; 319)  
 (IPL FIG. 7; 324)

1 FINAL BUSHING OUTSIDE DIAMETER EQUALS REPAIR OF FITTING PLUS 0.0006-0.0020 INTERFERENCE

125 ALL MACHINED SURFACES UNLESS SHOWN DIFFERENTLY

MAGNETIC PARTICLE CHECK PER SOPM 20-20-01

MATERIAL: 15-5PH, HT TR 180-200 KSI

FINISH: CADMIUM PLATE PER QQ-P-416, TYPE 2, CLASS 2 (F-15.06) PER SOPM 20-42-05

DIMENSIONS APPLY AFTER PLATING

ALL DIMENSIONS ARE IN INCHES

Oversize Bushing Details  
 Figure 603

210893

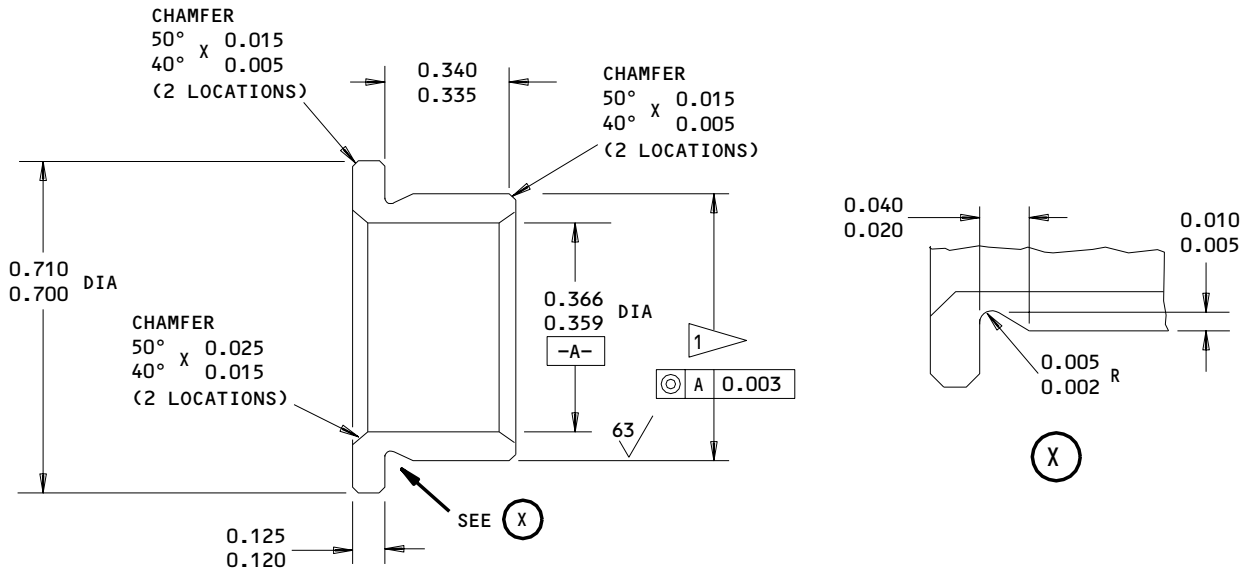
**57-53-27**

REPAIR 7-1

01.101

Page 608

Mar 01/04



**OVERSIZE REPLACEMENT BUSHINGS**  
 (IPL FIG. 1; 313)  
 (IPL FIG. 6; 313)  
 (IPL FIG. 7; 318)

1 FINAL BUSHING OUTSIDE DIAMETER EQUALS REPAIR DIAMETER OF FITTING PLUS 0.0004-0.0016 INTERFERENCE

125/ ALL MACHINED SURFACES UNLESS SHOWN DIFFERENTLY

MAGNETIC PARTICLE CHECK PER SOPM 20-20-01

MATERIAL: 15-5PH HT 180-200 KSI

FINISH: CADMIUM PLATE PER QQ-P-416, TYPE 2, CLASS 2 (F-15.06) PER SOPM 20-42-05

DIMENSIONS APPLY AFTER PLATING

ALL DIMENSIONS ARE IN INCHES

Oversize Bushing Details  
 Figure 604

210823

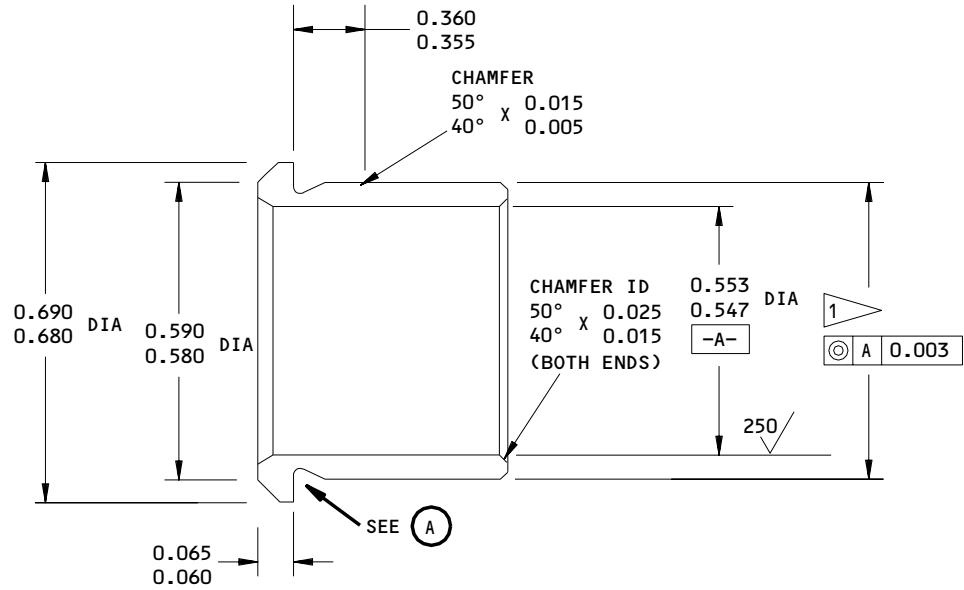
**57-53-27**

REPAIR 7-1

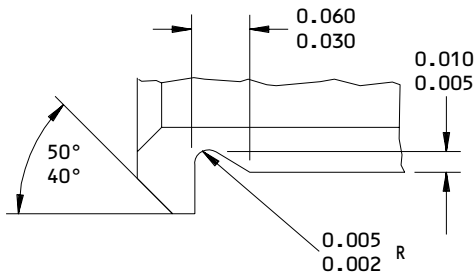
01.101

Page 609

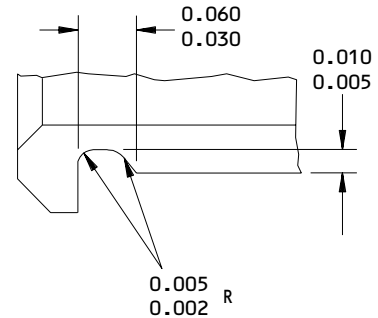
Mar 01/04



**OVERSIZE REPLACEMENT FOR BUSHINGS**  
 (IPL FIG. 1; 311)  
 (IPL FIG. 6; 311)  
 (IPL FIG. 7; 316)



**TYPE 1**



**TYPE 2**

**UNDERCUT - TYPE 1 OR TYPE 2 OPTIONAL**



**1** FINISH DIAMETER (REPAIR DIAMETER OF FITTING PLUS 0.0005-0.0022 INTERFERENCE)

**63** ALL MACHINED SURFACES UNLESS SHOWN DIFFERENTLY

MATERIAL: AL-NI-BR PER AMS 4640

FINISH: CADMIUM PLATE PER SOPM 20-42-05, TYPE 2, CLASS 2, PLATING IN BORE OPTIONAL

ALL DIMENSIONS ARE IN INCHES

**Oversize Bushing Details  
 Figure 605**

**57-53-27**

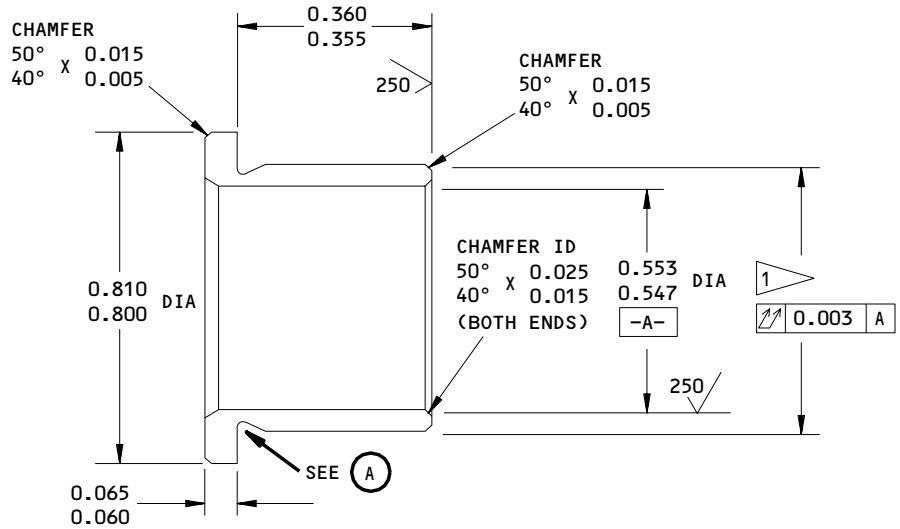
REPAIR 7-1

01.101

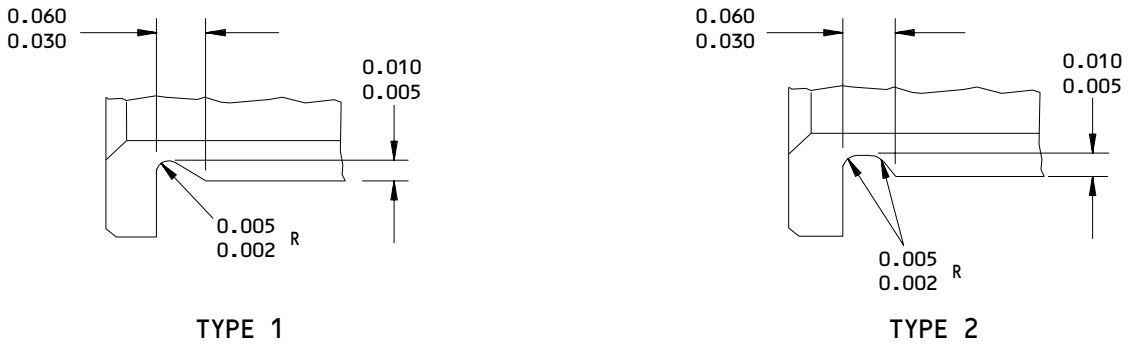
Page 610

Mar 01/04

**BOEING**  
**COMPONENT**  
**MAINTENANCE MANUAL**



**OVERSIZE REPLACEMENT FOR BUSHING**  
**(IPL FIG. 7; 316A)**



**UNDERCUT TYPE 1 OR TYPE 2 OPTIONAL**

(A)

1 FINISH DIAMETER (REPAIR DIA OF FITTING PLUS 0.0006-0.0018 INTERFERENCE)

63 ALL MACHINED SURFACES UNLESS SHOWN DIFFERENTLY

MATERIAL: AL-NI-BR PER AMS 4640

FINISH: CADMIUM PLATE PER SOPM 20-42-05, TYPE 2, CLASS 2, PLATING IN BORE OPTIONAL

ALL DIMENSIONS APPLY AFTER PLATING

ALL DIMENSIONS ARE IN INCHES

**Oversize Bushing Details**  
**Figure 606**

**57-53-27**

REPAIR 7-1

01.101

Page 611

Mar 01/04

FITTING ASSEMBLY – REPAIR 8-1

113T2275-1, -2, -7, -8

NOTE: Refer to REPAIR-GEN for list of applicable standard practices.

1. Bushing Replacement

A. Bushings (385, 387 IPL Fig. 1; 377, 379, IPL Fig. 6; 376, 378, IPL Fig. 7).

- (1) Remove bushings.
- (2) Check hole for damage or corrosion and repair, if necessary, per 2.A..
- (3) Install bushings per 20-50-03 using wet BMS 5-95, class B sealant.
- (4) Machine bushings as shown on Fig. 601.
- (5) If necessary, rework dimension between flanges of bushings (385, 387, IPL Fig. 1; 377, 379, IPL Fig. 6; 376, 378, IPL Fig. 7) as shown on Fig. 601.
- (6) Fillet seal entire periphery of bushing flanges using BMS 5-95, class B sealant.

B. Bushing (389, IPL Fig. 1; 381, IPL Fig. 6; 380, IPL Fig. 7)

- (1) Remove bushing.
- (2) Install bushing per 20-50-03 using wet BMS 5-95, class B sealant.
- (3) Machine bushing as shown on Fig. 601.
- (4) Fillet seal entire periphery of bushing flange using BMS 5-95, class B sealant.

C. Bushing (391, IPL Fig. 1; 383, IPL Fig. 6; 382, IPL Fig. 7)

- (1) Remove bushings.
- (2) Check hole for damage or corrosion and repair, if necessary, per 2.A..
- (3) Install bushings per 20-50-03 except install with wet sealant, BMS 5-95, class B.

**57-53-27**

REPAIR 8-1

01.1

Page 601

Mar 01/00

- (4) Machine bushings per Fig. 601.
- (5) Install bushing (389, IPL Fig. 1; 381, IPL Fig. 6; 380, IPL Fig. 7) per 1.B.(2) thru 1.B.(4).

## 2. Repair

- A. Repair hole for bushing (385, 387, 391, IPL Fig. 1; 377, 379, 383, IPL Fig. 6; 376, 378, 382, IPL Fig. 7).
  - (1) Machine Fitting (393, 394, 395, 396, IPL Fig. 1 ; 385, 387, IPL Fig. 6; 384, 386, IPL Fig. 7), as required to remove aberations, per Fig. 601.
  - (2) Penetrant check per 20-20-02.
  - (3) Shot peen bore(s) per 20-10-03 and Fig. 601.
  - (4) Refinish per 3.A..
  - (5) Fabricate oversize bushing(s) per Fig. 603, Fig. 604, Fig. 605.

## 3. Refinish

- A. Fittings (393, 394, 395, 396, IPL Fig. 1; 385, 387, IPL Fig. 6; 384, 386, IPL Fig. 7) -- Chromic acid anodize, type 1 and apply one coat BMS 10-11, type 1 primer (F-18.13). Apply BMS 10-60, BAC707 gray gloss enamel (SRF-14.9813). Omit primer and enamel from holes for bushings.  
Material: Aluminum alloy.
- B. Fitting assemblies (357, 358, 359, 360, IPL Fig. 1; 361, 363, IPL Fig. 6; 354, 356, IPL Fig. 7) -- Prepare surface and apply BMS 10-86, type 1, gray per 20-44-01 and 20-50-05, type 27 (SRF-14.9624) to that area shown on Fig. 602.

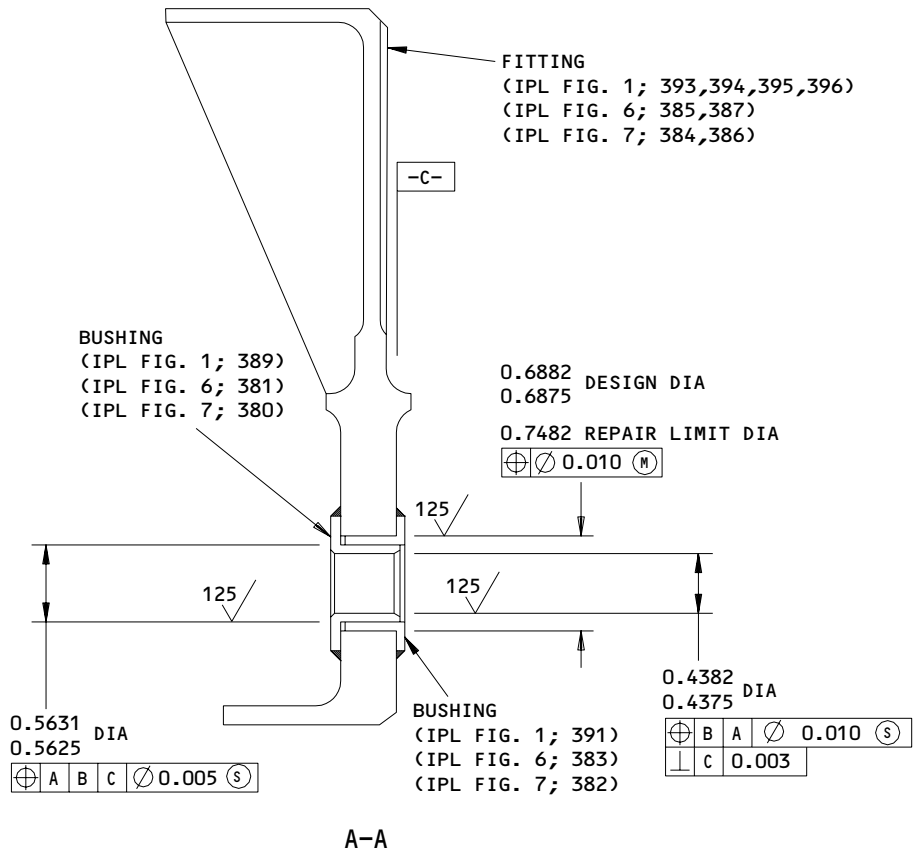
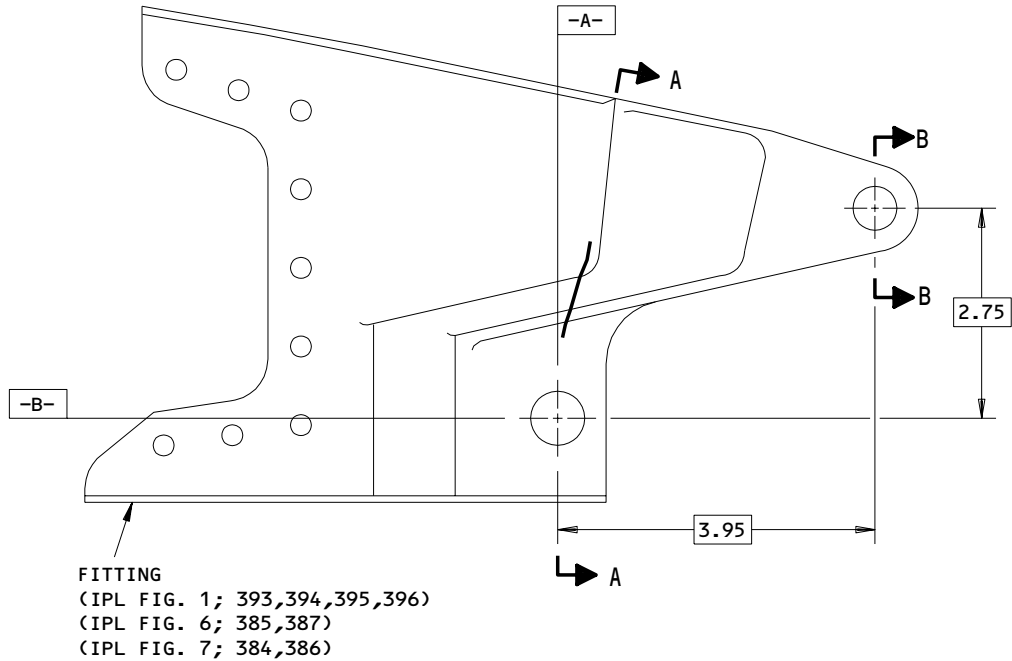
**57-53-27**

REPAIR 8-1

01.1 Page 602

Mar 01/00

**BOEING**  
 COMPONENT  
 MAINTENANCE MANUAL



113T2275-1,-2,-7,-8  
 Bushing Replacement  
 Figure 601 (Sheet 1)

**57-53-27**

REPAIR 8-1

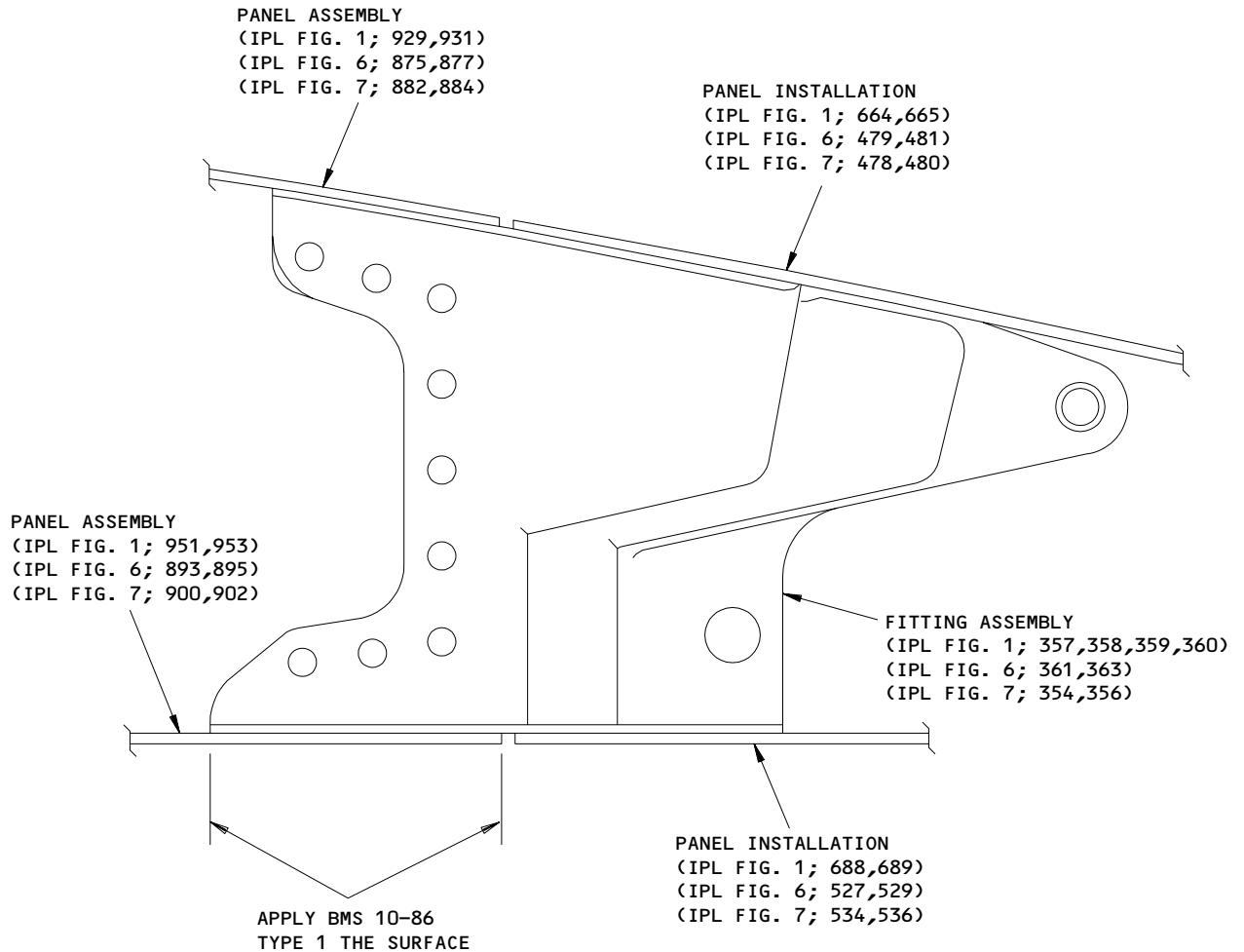
01.1

Page 603

Mar 01/00







113T2275-1,-2,-7,-8  
 Refinish of Fitting Assembly  
 Figure 602

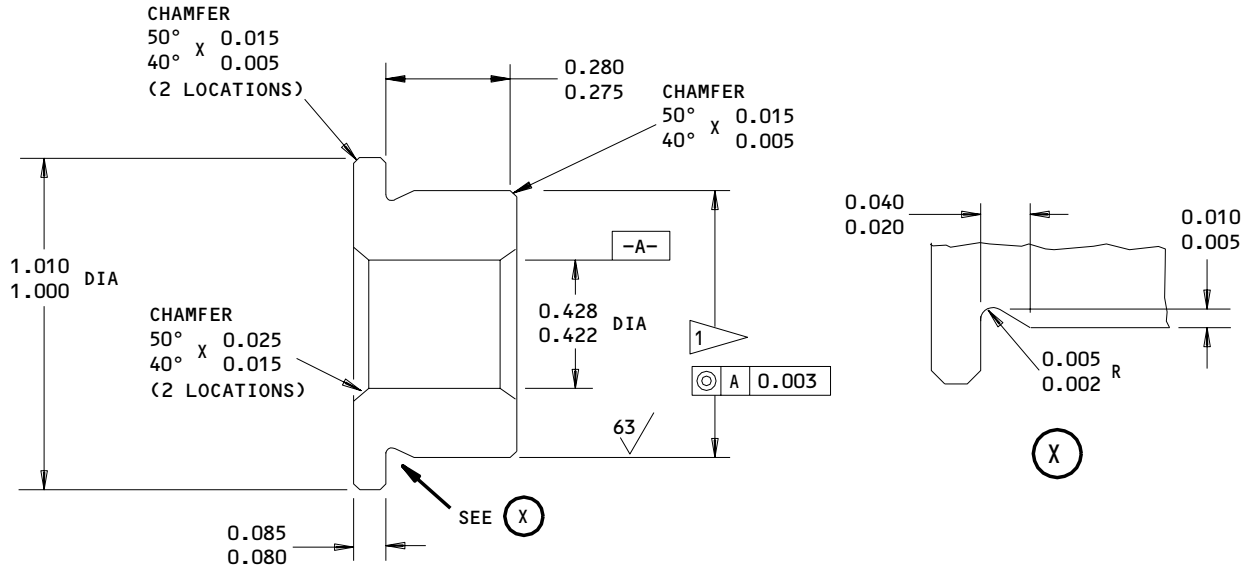
**57-53-27**

REPAIR 8-1

Page 605

Mar 01/00

01.1



**OVERSIZE REPLACEMENT BUSHINGS**  
 (IPL FIG. 1; 385)  
 (IPL FIG. 6; 377)  
 (IPL FIG. 7; 376)

1 FINAL BUSHING OUTSIDE DIAMETER EQUALS REPAIR DIAMETER OF FITTING PLUS 0.0005-0.0017 INTERFERENCE

125/ ALL MACHINED SURFACES UNLESS SHOWN DIFFERENTLY

PENETRANT CHECK PER SOPM 20-20-02 AFTER MACHINING

MATERIAL: AL-NI-BR PER AMS 4640

FINISH: CADMIUM PLATE PER QQ-P-416, TYPE 2, CLASS 2 (F-15.06) PER SOPM 20-42-05

DIMENSIONS APPLY AFTER PLATING

ALL DIMENSIONS ARE IN INCHES

Oversize Bushing Details  
 Figure 603

210814

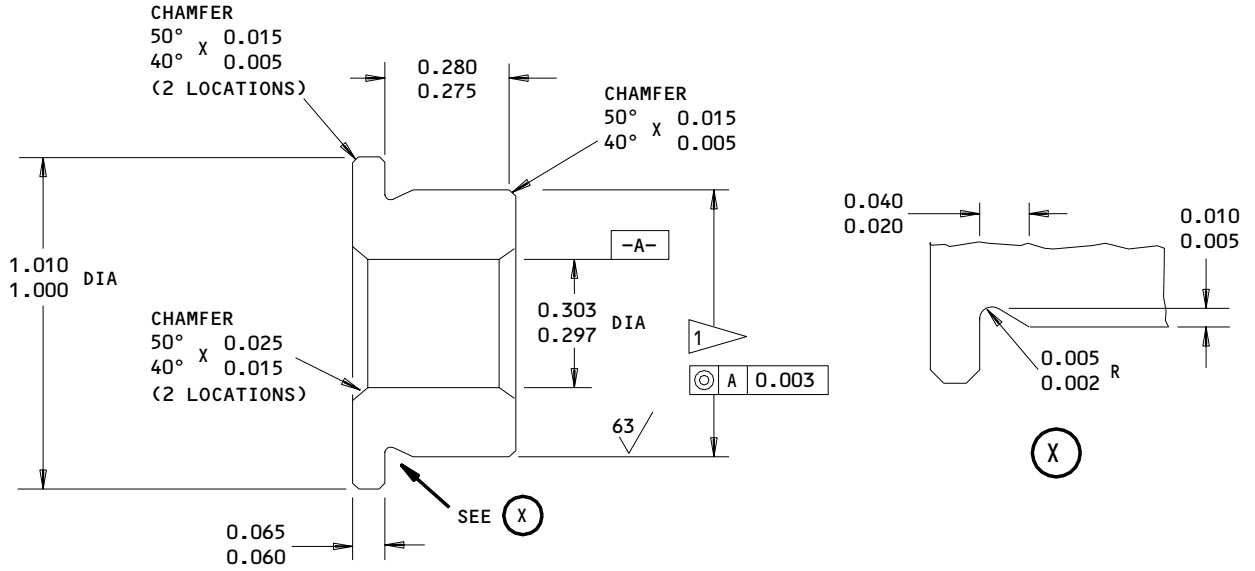
**57-53-27**

REPAIR 8-1

01.1

Page 606

Mar 01/00



**OVERSIZE REPLACEMENT BUSHINGS**  
 (IPL FIG. 1; 387)  
 (IPL FIG. 6; 379)  
 (IPL FIG. 7; 378)

1 FINAL BUSHING OUTSIDE DIAMETER EQUALS  
 REPAIR DIAMETER OF FITTING PLUS  
 0.0003-0.0015 INTERFERENCE

125/ ALL MACHINED SURFACES UNLESS SHOWN  
 DIFFERENTLY

MAGNETIC PARTICLE CHECK PER SOPM 20-20-02 AFTER  
 MACHINING

MATERIAL: 15-5PH HT 180-200 KSI

FINISH: CADMIUM PLATE PER QQ-P-416, TYPE 2,  
 CLASS 2 (F-15.06) PER SOPM 20-42-05

DIMENSIONS APPLY AFTER PLATING

ALL DIMENSIONS ARE IN INCHES

Oversize Bushing Details  
 Figure 604

210818

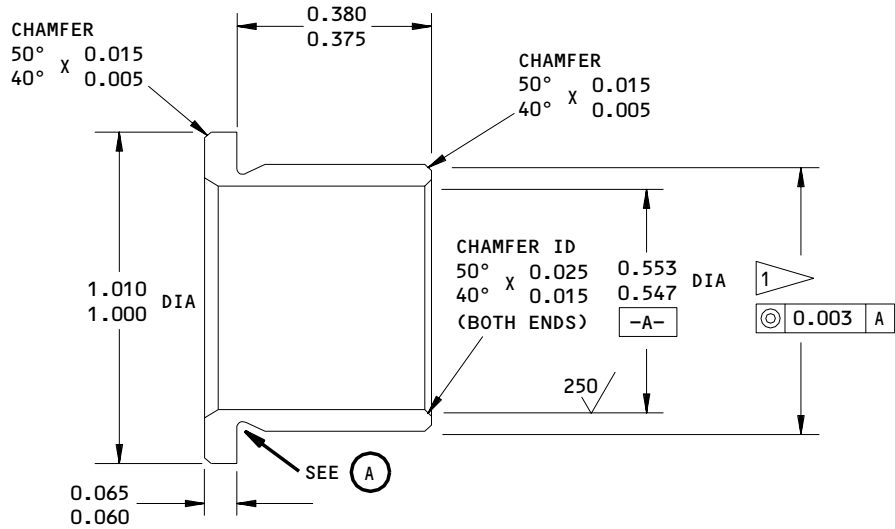
**57-53-27**

REPAIR 8-1

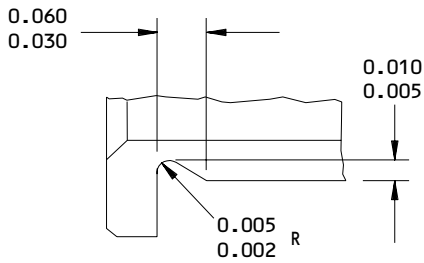
01.1

Page 607

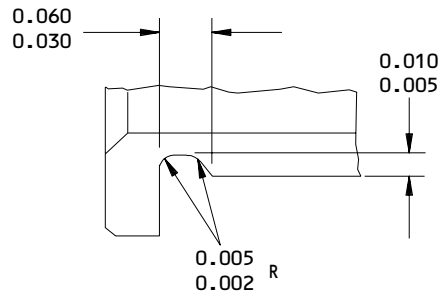
Mar 01/00



**OVERSIZE REPLACEMENT FOR BUSHINGS**  
 (IPL FIG. 1; 391)  
 (IPL FIG. 6; 383)  
 (IPL FIG. 7; 382)



**TYPE 1**



**TYPE 2**

**UNDERCUT TYPE 1 OR TYPE 2 OPTIONAL**



**1** FINISH DIAMETER (REPAIR DIA OF FITTING PLUS 0.0005-0.0018 INTERFERENCE)

**63** ALL MACHINED SURFACES UNLESS SHOWN DIFFERENTLY

**MATERIAL:** 15-5PH CRES, 180-200 KSI

**FINISH:** CADMIUM PLATE PER SOPM 20-42-05, TYPE 2, CLASS 2, PLATING IN BORE OPTIONAL

ALL DIMENSIONS APPLY AFTER PLATING

ALL DIMENSIONS ARE IN INCHES

**Oversize Bushing Details**  
**Figure 605**

**57-53-27**

REPAIR 8-1

Page 608

Mar 01/00

01.1

SUPPORT ASSEMBLY - REPAIR 9-1

113T2273-1, -2, -7, -8, -11, -12

NOTE: Refer to REPAIR-GEN for list of applicable standard practices.

1. Bushing (441, IPL Fig. 1; 439, IPL Fig. 6; 438, IPL Fig. 7) Replacement

- A. Remove bushings.
- B. Install bushings per 20-50-03 using wet BMS 5-95, class B sealant.
- C. Machine bushings as shown on Fig. 601.
- D. Fillet seal entire periphery of bushing flanges using BMS 5-95, class B sealant.

2. Bushing (439, 440, 440G, IPL Fig. 1; 435, 437, IPL Fig. 6; 434, 436, IPL Fig. 7) Replacement

- A. Remove bushings.
- B. Install bushings per 20-50-03 using wet BMS 5-95, class B sealant.
- C. Machine bushings as shown on Fig. 601.
- D. Fillet seal entire periphery of bushing flanges using BMS 5-95, class B sealant.

3. Refinish

- A. Support (443, 445, IPL Fig. 1; 441, 443, IPL Fig. 6; 440, 442, IPL Fig. 7) -- Chromic acid anodize, type 1 and apply one coat of BMS 10-11, type 1 primer (F-18.13). Apply BMS 10-60, BAC707 gray gloss enamel (SRF-14.9813). Omit primer and enamel from holes for bushing. Material: Aluminum alloy.

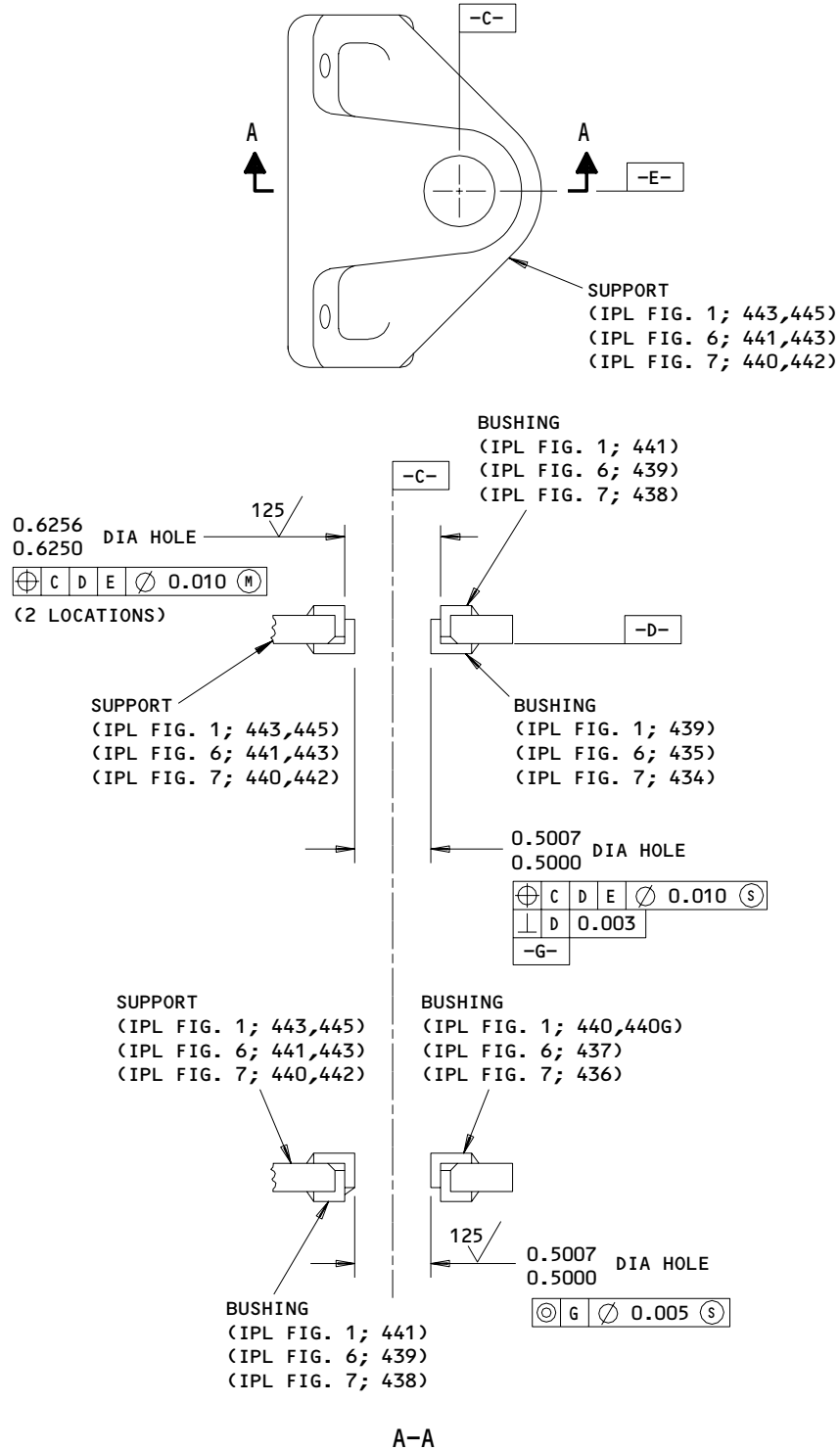
**57-53-27**

REPAIR 9-1

01.1

Page 601

Mar 01/00

**COMPONENT  
MAINTENANCE MANUAL**


ALL DIMENSIONS IN INCHES

 113T2273-1,-2,-7,-8,-11,-12  
 Bushing Replacement  
 Figure 601

**57-53-27**

REPAIR 9-1

01.1

Page 602

Mar 01/00

FITTING ASSEMBLY – REPAIR 10-1

113T2274-1, -2, -9, -10

NOTE: Refer to REPAIR-GEN for list of applicable standard practices.

1. Bushing Replacement

A. Bushings (467, 469 IPL Fig. 1; 461, 463, IPL Fig. 6; 464, 466, IPL Fig. 7)

- (1) Remove bushings.
- (2) Check hole for damage or corrosion and repair, if necessary, per 2.A..
- (3) Install bushings per 20-50-03 using wet BMS 5-95, class B sealant.
- (4) Machine bushings as shown on Fig. 601.
- (5) If necessary, rework dimension between flanges of bushings (467, 469, IPL Fig.1; 461, 463, IPL Fig. 6; 464, 466, IPL Fig. 7) as shown on Fig. 601.
- (6) Fillet seal entire periphery of bushing flanges using BMS 5-95, class B sealant.

B. Bushing (465, IPL Fig. 1; 459 IPL Fig. 6; 462, IPL Fig. 7).

- (1) Remove bushing.
- (2) Install bushing per 20-50-03 using wet BMS 5-95, class B sealant.
- (3) Machine bushing as shown on Fig. 601.
- (4) Fillet seal entire periphery of bushing flange using BMS 5-95, class B sealant.

C. Bushing (471, IPL Fig. 1; 465, IPL Fig. 6; 468, IPL Fig. 7).

- (1) Remove bushings.
- (2) Check hole for damage or corrosion and repair, if necessary, per 2.A..
- (3) Install bushings per 20-50-03 except install with wet sealant, BMS 5-95, class B.

**57-53-27**

REPAIR 10-1

01.1

Page 601

Mar 01/00

- (4) Machine bushings per Fig. 601.
- (5) Install bushing (465, IPL Fig. 1; 459, IPL Fig. 6; 462, IPL Fig. 7) per 1.B.(2) thru 1.B.(4).

## 2. Repair

- A. Repair hole for bushing (467, 469, 471, IPL Fig. 1; 461, 463, 465, IPL Fig. 6; 464, 466, 468, IPL Fig. 7)
  - (1) Machine Fitting (473, 474, 475, 476, IPL Fig. 1; 467, 469, IPL Fig. 6; 470, 472, IPL Fig. 7), as required to remove defects or corrosion, up to the repair limit as shown Fig. 601.
  - (2) Penetrant check per 20-20-02.
  - (3) Shot peen bore(s) per 20-10-03 and Fig. 601.
  - (4) Refinish per 3.A.
  - (5) Fabricate oversize bushing(s) per Fig. 602, Fig. 603, Fig. 604.

## 3. Refinish

- A. Fittings (473, 474, 475, 476, IPL Fig. 1; 467, 469, IPL Fig. 6; 470, 472, IPL Fig. 7) -- Chromic acid anodize, type 1 and apply one coat BMS 10-11, type 1 primer (F-18.13). Apply BMS 10-60, BAC707 gray gloss enamel (SRF-14.9813). Omit primer and enamel from holes for bushings.  
Material: Aluminum alloy.

**57-53-27**

REPAIR 10-1

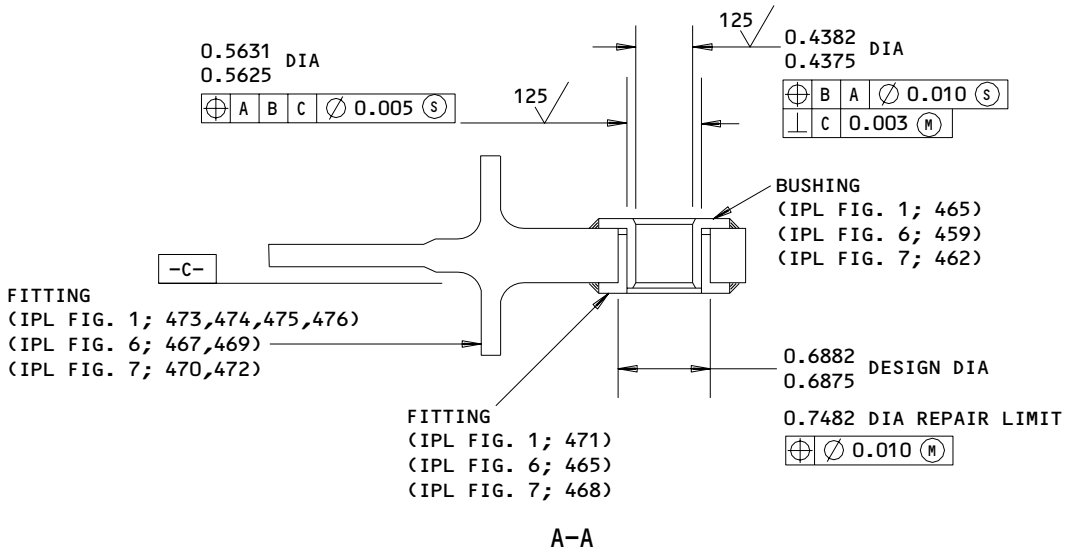
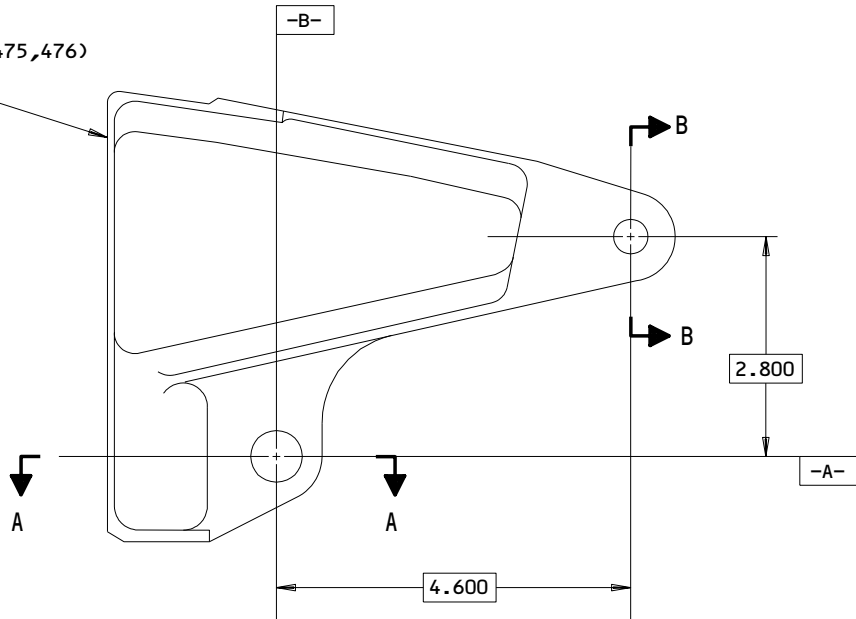
01.1

Page 602

Mar 01/00



FITTING  
 (IPL FIG. 1; 473,474,475,476)  
 (IPL FIG. 6; 467,469)  
 (IPL FIG. 7; 470,472)



SHOT PEEN: 0.023-0.055 SHOT SIZE  
 0.006 A INTENSITY  
 2.0 COVERAGE

MATERIAL: 7075-T411 AL ALLOY  
 (473,475)  
 7075-T73 AL ALLOY  
 (874,476)

ALL DIMENSIONS ARE IN INCHES

113T2274-1,-2,-9,-10  
 Bushing Replacement  
 Figure 601 (Sheet 1)

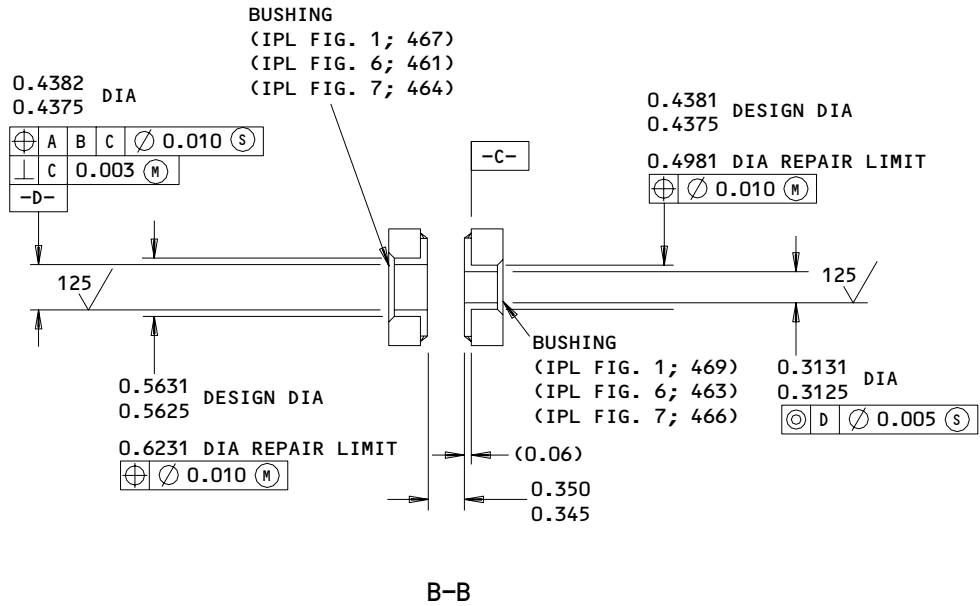
**57-53-27**

REPAIR 10-1

01.1

Page 603

Mar 01/00



ALL DIMENSIONS ARE IN INCHES

113T2274-1,-2,-9,-10  
 Bushing Replacement  
 Figure 601 (Sheet 2)

210144

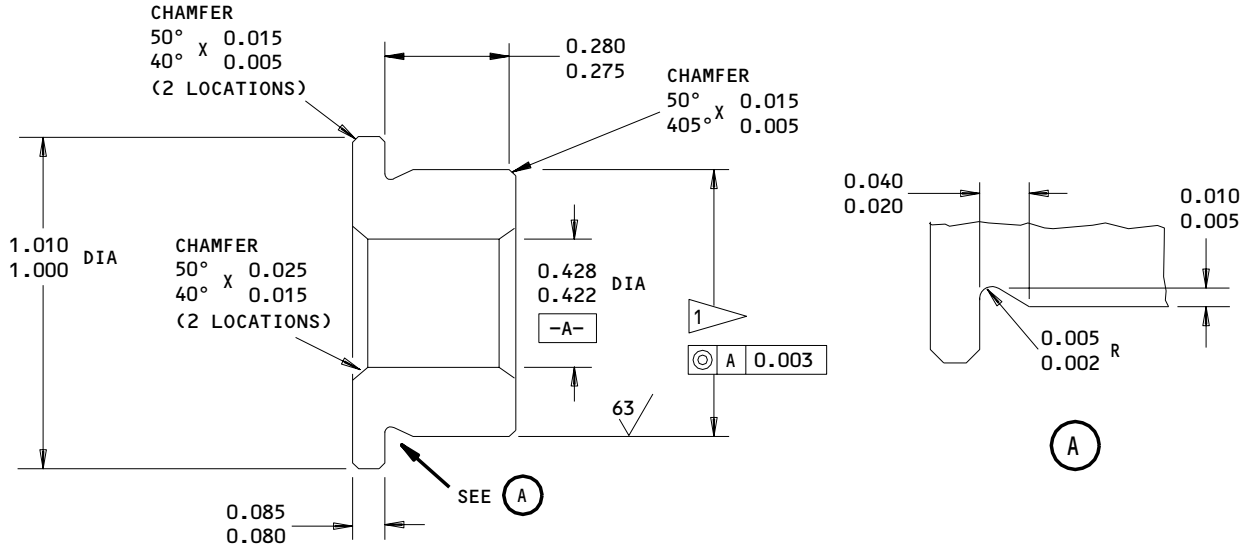
**57-53-27**

REPAIR 10-1

01.1

Page 604

Mar 01/00



**OVERSIZE REPLACEMENT BUSHINGS**  
 (IPL FIG. 1; 467)  
 (IPL FIG. 6; 461)  
 (IPL FIG. 7; 464)

1 FINAL BUSHING OUTSIDE DIAMETER EQUALS  
 REPAIR DIAMETER OF FITTING PLUS  
 0.0005-0.0017 INTERFERENCE

125/ ALL MACHINED SURFACES UNLESS SHOWN  
 DIFFERENTLY

PENETRANT CHECK PER SOPM 20-20-02 AFTER  
 MACHINING

MATERIAL: AL-NI-BR PER AMS 4640

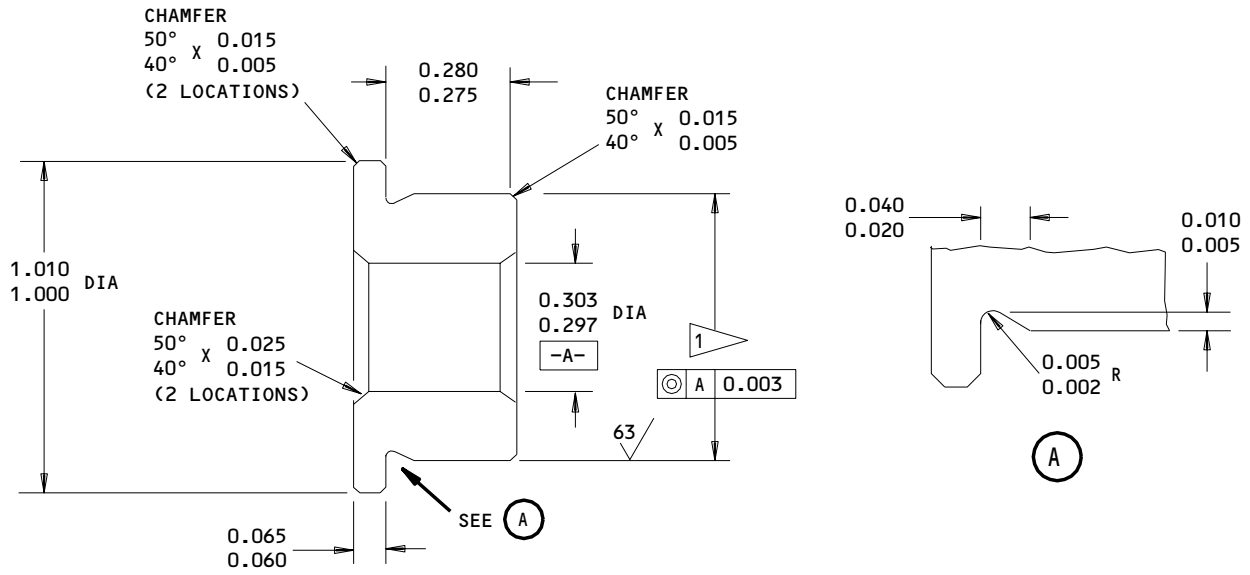
FINISH: CADMIUM PLATE PER QQ-P-416, TYPE 2,  
 CLASS 2 (F-15.06) PER SOPM 20-42-05

DIMENSIONS APPLY AFTER PLATING

ALL DIMENSIONS ARE IN INCHES

Oversize Bushing Details  
 Figure 602

210822



**OVERSIZE REPLACEMENT BUSHINGS**  
 (IPL FIG. 1; 469)  
 (IPL FIG. 6; 463)  
 (IPL FIG. 7; 466)

1 FINAL BUSHING OUTSIDE DIAMETER EQUALS REPAIR DIAMETER OF FITTING PLUS 0.0003-0.0015 INTERFERENCE

125/ ALL MACHINED SURFACES UNLESS SHOWN DIFFERENTLY

MAGNETIC PARTICLE CHECK PER SOPM 20-20-01

MATERIAL: 15-5PH HT 180-200 KSI

FINISH: CADMIUM PLATE PER QQ-P-416, TYPE 2, CLASS 2 (F-15.06) PER SOPM 20-42-05

DIMENSIONS APPLY AFTER PLATING

ALL DIMENSIONS ARE IN INCHES

Oversize Bushing Details  
 Figure 603

210824

**57-53-27**

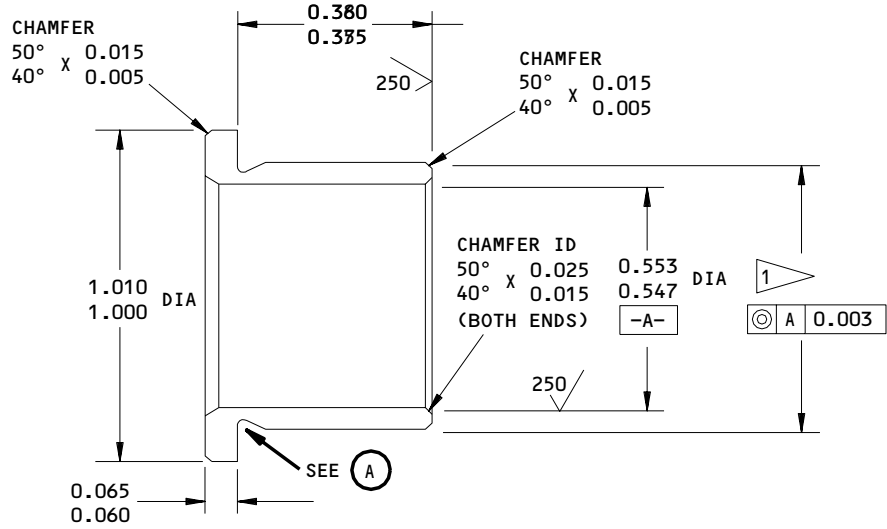
REPAIR 10-1

01.1

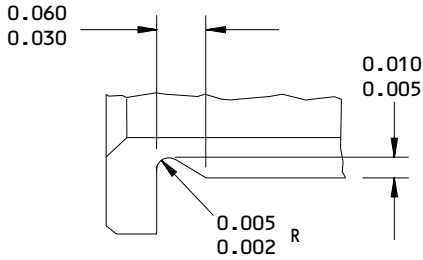
Page 606

Mar 01/00

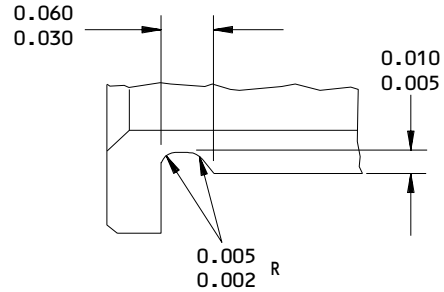
**BOEING**  
**COMPONENT**  
**MAINTENANCE MANUAL**



**OVERSIZE REPLACEMENT FOR BUSHINGS**  
 (IPL FIG. 1; 471)  
 (IPL FIG. 6; 465)  
 (IPL FIG. 7; 468)



**TYPE 1**



**TYPE 2**

**UNDERCUT TYPE 1 OR TYPE 2 OPTIONAL**



1 FINISH DIAMETER (REPAIR DIA OF FITTING PLUS 0.0005-0.0018 INTERFERENCE)

63/ ALL MACHINED SURFACES UNLESS SHOWN DIFFERENTLY

MATERIAL: 15-5PH CRES, 180-200 KSI

FINISH: CADMIUM PLATE PER SOPM 20-42-05, TYPE 2, CLASS 2, PLATING IN BORE OPTIONAL

ALL DIMENSIONS APPLY AFTER PLATING

ALL DIMENSIONS ARE IN INCHES

**Oversize Bushing Details**  
**Figure 604**

**57-53-27**

REPAIR 10-1

01.1

Page 607

Mar 01/00

PANEL ASSEMBLY – REPAIR 11-1

113T2261-25, -26, -59, -60, -69, -70, -95, -96, 97, -98

NOTE: Refer to REPAIR-GEN for list of applicable standard practices.

1. Phenolic Strip (668A, 669A, 670A, IPL Fig. 1; 487, 489, 491, IPL Fig. 6) Replacement

- A. Remove phenolic strips.
- B. Clean panel assemblies (666, 667, IPL Fig. 1; 483, 485, IPL Fig. 6) of old bonding material.
- C. Bond phenolic strips to panel assemblies per 20-50-12, type 44, except use BMS 5-95, class B sealant.
- D. Excess sealant shall extrude from interface and be faired in a smooth fillet for full length of strip.

2. Washer (673A, IPL Fig. 1; 497, IPL Fig. 6) Replacement

- A. Remove washer.
- B. Clean panel assemblies (666, 666A, 667, 667A, IPL Fig. 1; 483, 485, IPL Fig. 6) of old bonding material.
- C. Apply one layer of Hysol EA-9628 adhesive film per BMS 5-101, type 2, grade 5, between faying surfaces of washer (673A, IPL Fig. 1; 497, IPL Fig. 6) and panel (666, 666A, 667, 667A, IPL Fig. 1; 483, 485, IPL Fig. 6).

**57-53-27**

REPAIR 11-1

01.1

Page 601

Nov 01/00



TUBE ASSEMBLY – REPAIR 12-1

113T2250-1, -5, -401

NOTE: Refer to REPAIR-GEN for list of applicable standard practices.

1. Bushing Replacement

- A. Remove bushings (37, 39, IPL Fig. 2; 47, 50, IPL Fig. 8)
- B. For tube assembly (35, 35A, IPL Fig. 2; 44, 44A, 44C, IPL Fig. 8) install bushings by shrink fit per 20-50-03 using wet BMS 5-95, class B sealant. For tube assembly (35B, 35C, IPL Fig. 2; 44B, 44D, 44E, IPL Fig. 8), install bushing by shrink fit for SOPM 20-50-03 with no installation finish. Align slot in flange of bushing (37, IPL Fig. 2; 47, IPL Fig. 8) with internal groove in torque tube (41, IPL Fig. 2, 53, IPL Fig. 8).
- C. Machine bushing as shown in Fig. 601.
- D. For tube assembly (35, 35A, IPL Fig. 2; 44, 44A, 44C, IPL Fig. 8) fillet seal periphery of bushing flanges using BMS 5-95 sealant, except for slot in flange of bushing (37, IPL Fig. 2; 47, IPL Fig. 8).
- E. Ensure free drainage path through slot in bushing (37, IPL Fig. 2; 47, IPL Fig. 8) and groove in the torque tube (41, IPL Fig. 2, 53, IPL Fig. 8).

2. Refinish

- A. Torque tube assembly (35, IPL Fig. 2; 44, IPL Fig. 8) -- Inside diameter: Apply BMS 10-11, Type 1 primer (F-20.02) to the area shown in Fig. 602 before bushing installation. After installation of the bushings, apply MIL-C-11796 class 1 corrosion preventive compound (F-19.03) to the entire length of the ID.

Outside diameter: Apply BMS 10-11, Type 1 primer (F-20.02) plus BMS 10-60 enamel (F-14.9812, which replaces SRF-14.9813) to the surfaces shown in Fig. 602.

**57-53-27**

REPAIR 12-1

01.1

Page 601

Mar 01/04

- B. Torque tube assembly (35A, 35B, IPL Fig. 2; 44A, 44C, 44D, IPL Fig. 8) --  
Inside diameter: Apply BMS 10-11, Type 1 primer (F-20.02) to the area shown in Fig. 602 before bushing installation. After installation of the bushings, apply MIL-C-11796 class 1 corrosion preventive compound (F-19.03) to the entire length of the ID.

Outside diameter: Apply BMS 10-11, Type 1 primer (F-20.03) as shown in Fig. 602. Apply BMS 10-11, Type 1 primer (F-20.02) plus BMS 10-60 enamel (F-14.9812, which replaces SRF-14.9813) to the surfaces shown in Fig. 602

.

**57-53-27**

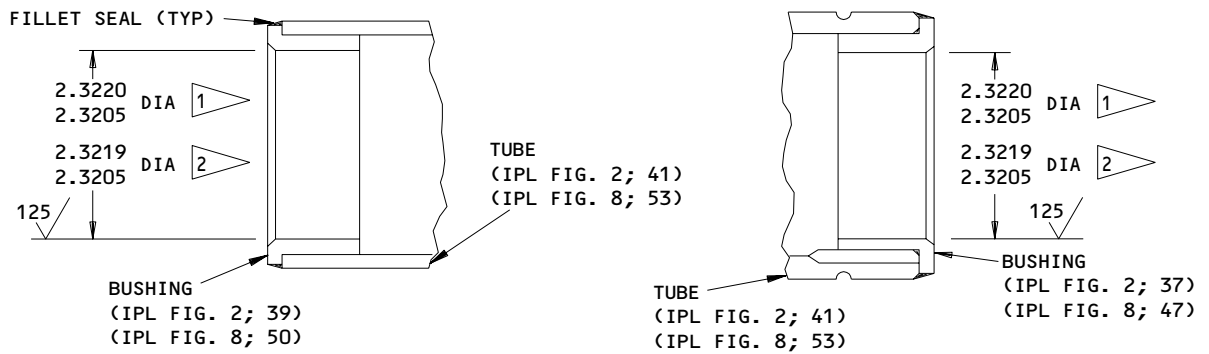
REPAIR 12-1

01.1

Page 602

Mar 01/04





- 1 FOR 113T2250-1,-5 ONLY
- 2 FOR 113T2250-7,-401 ONLY

ALL DIMENSIONS ARE IN INCHES

113T2250-1,-5,-7,-401  
Bushing Replacement  
Figure 601

**57-53-27**

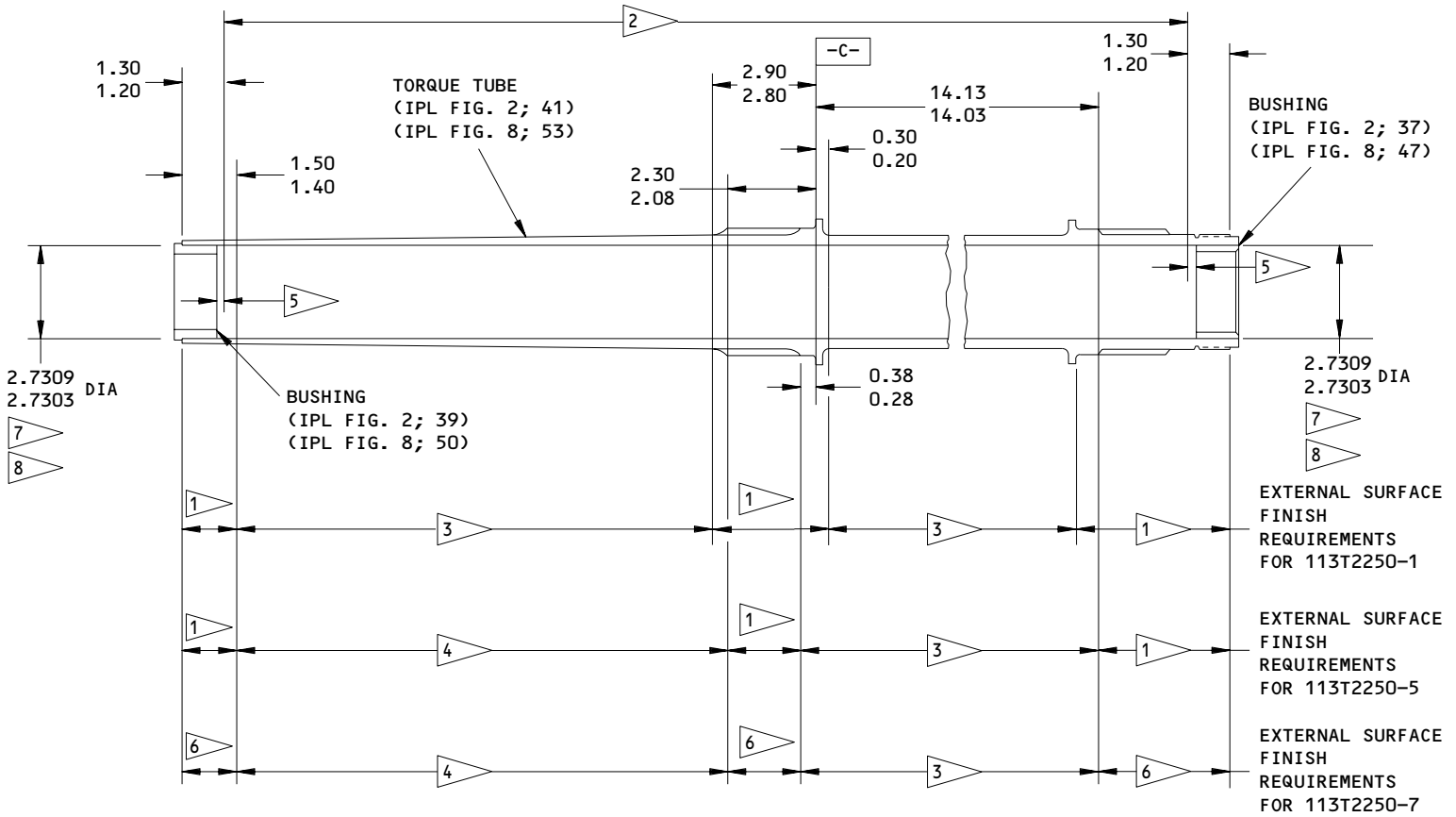
REPAIR 12-1

Page 603

Mar 01/04

01.1

113T2250-1,-5,-7  
Refinish of Torque Tube  
Figure 602



- 1 FOR 113T2250-1,-5 ONLY, MAXIMUM PLATING THICKNESS OF (F-15.32) IS CONTROLLED TO 0.0007 IN AREA SHOWN
- 2 APPLY BMS 10-11, TYPE 1 PRIMER (F-20.02) TO THE INSIDE DIAMETER IN THE AREA SHOWN BEFORE INSTALLING THE BUSHINGS
- 3 APPLY BMS 10-11, TYPE 1 PRIMER (F-20.02) PLUS BMS 10-60 ENAMEL (SRF-14.9813) TO THE OUTSIDE DIAMETER IN THE AREA SHOWN
- 4 APPLY BMS 10-11, TYPE 1 PRIMER (F-20.03) TO THE OUTSIDE DIAMETER IN THE AREA SHOWN
- 5 FOR 113T2250-1,-5 ONLY AFTER BUSHING INSTALLATION, LEAVE A SMALL FILLET AT THE END OF THE BUSHINGS AND TOUCH UP WITH BMS 10-11, TYPE 1 PRIMER (F-20.02)

- 6 FOR 113T2250-7 ONLY, MAXIMUM PLATING THICKNESS OF (F-16.06) IS CONTROLLED TO 0.0008 INCH MAXIMUM IN AREA SHOWN
  - 7 FOR 113T2250-1,-5, PLATE (F-15.32) ON INSIDE DIAMETER THE FULL LENGTH WITH MAXIMUM PLATING THICKNESS CONTROL ONLY IN AREA OF BUSHING INSTALLATION. PLATING THICKNESS MAY EXCEED 0.0007 IN OTHER AREAS OF THE INTERNAL DIAMETER
  - 8 FOR 113T2250-7, PLATE (F-16.06) ON INSIDE DIAMETER THE FULL LENGTH WITH MAXIMUM PLATING THICKNESS CONTROL ONLY IN AREA OF BUSHING INSTALLATION. PLATING THICKNESS MAY EXCEED 0.0008 IN OTHER AREAS OF THE INTERNAL DIAMETER
- ALL DIMENSIONS ARE IN INCHES

TUBE - REPAIR 12-2

113T2250-3, -403, -8

**CAUTION:** UNDERSIZE BUSHINGS SHOULD ONLY BE USED IN CONJUNCTION WITH SHEAR TUBE REPAIR 17-1. DAMAGE DURING ASSEMBLY MAY OCCUR IF UNDERSIZE BUSHINGS ARE USED WITHOUT MACHINING THE SHEAR TUBE.

**1. Undersize Bushing Repair**

- A. Remove bushings (37, 39, IPL Fig. 2; 47, 50, IPL Fig. 8).
- B. Machine undersize bushings as shown in Fig. 603.
- C. Install undersize replacement bushings as shown in REPAIR 12-1.

**2. Oversize Bushing Repair**

- A. Remove bushings (37, 39, IPL Fig. 2; 47, 50, IPL Fig. 6).
- B. Machine the torque tube (41, IPL Fig. 2; 53, IPL Fig. 8) to remove defects, cracks, and/or corrosion up to the limits shown in Fig. 601 and 602.
- C. Do a magnetic particle inspection per SOPM 20-20-01, Class A critical.
- D. Shot peen the machined surfaces per SOPM 20-10-03 as shown in Fig. 601 and 602.
- E. Fabricate the oversize replacement bushings per Fig. 603.
- F. Install oversize replacement bushings as shown in REPAIR 12-1.

**3. Refinish**

- A. Torque tube (41, IPL Fig. 2; 53, IPL Fig. 8) -- Cadmium-titanium plate (F-15.32) all over. Thickness control required only in the areas shown in REPAIR 12-1, Fig. 602. Material: 4330M steel, 220-240 ksi.
- B. Torque tube (53A, IPL Fig. 8) -- Passivate (F-17.25) all over. Material: 15-5PH CRES, 180-200 ksi.
- C. Torque tube (53B, IPL Fig. 8) -- Cadmium plate (F-16.06) all over. Thickness control required only in the areas shown in REPAIR 12-1, Fig. 602. Material: 15-5PH CRES, 180-200 ksi.

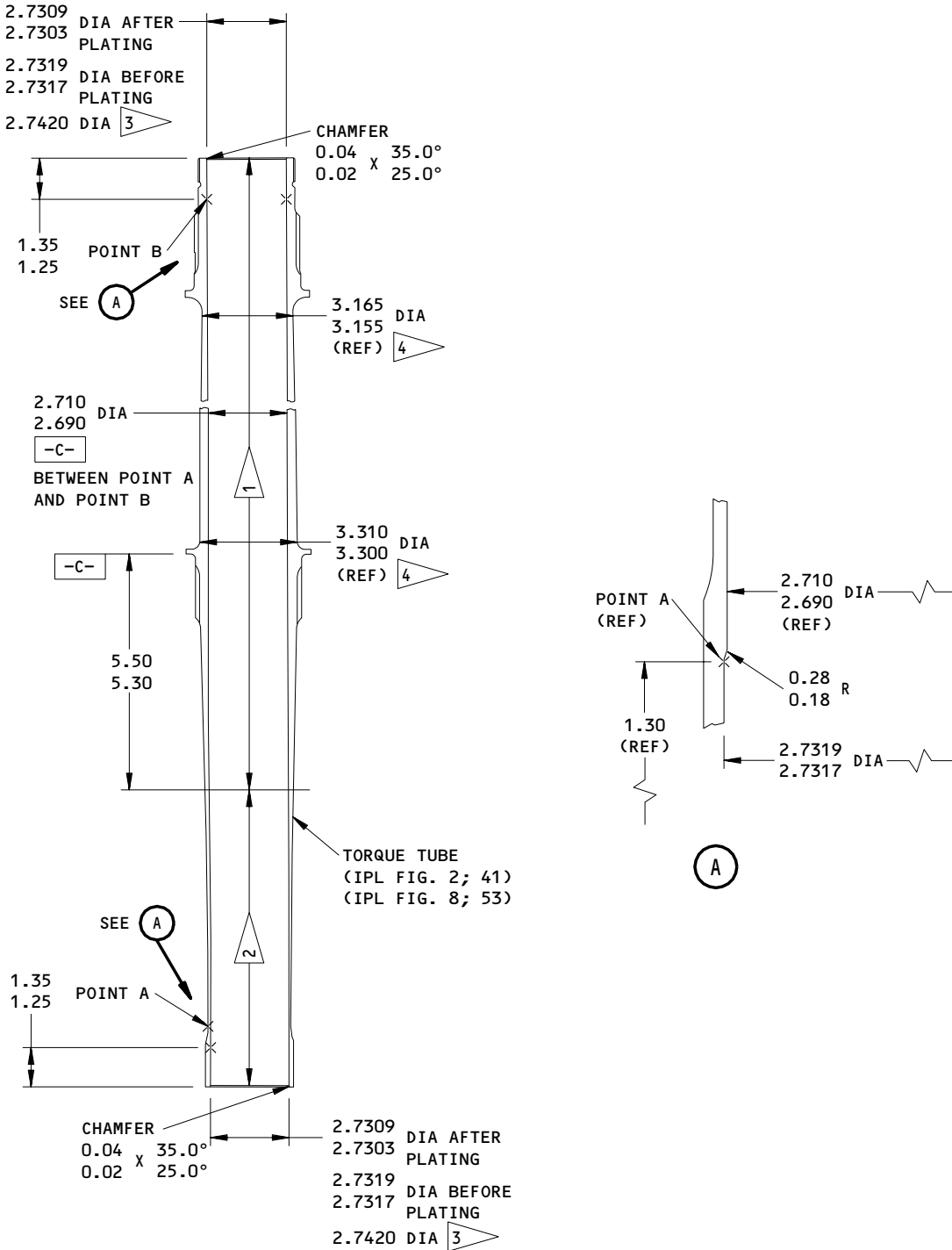
**57-53-27**

REPAIR 12-2

01.1

Page 601

Mar 01/04



113T2250-3  
 Torque Tube Repair  
 Figure 601 (Sheet 1)

**57-53-27**

REPAIR 12-2

Page 602

Mar 01/04

01.1

**BOEING**  
COMPONENT  
MAINTENANCE MANUAL

1 INSIDE DIAMETER  
SHOT NUMBER 170-460  
INTENSITY 0.016A  
COVERAGE 1.0

2 INSIDE DIAMETER  
SHOT NUMBER 170-460  
INTENSITY 0.008A  
COVERAGE 1.0

3 REPAIR LIMIT

4 FOR ALLOWABLE REWORK TO THE OUTSIDE  
DIAMETER SEE 767 STRUCTURAL REPAIR  
MANUAL 57-53-02, FIGURE 103

125/ ALL MACHINED SURFACES UNLESS SHOWN  
DIFFERENTLY

MATERIAL: 4330M STEEL, 220-240 KSI

BREAK ALL SHARP EDGES

ALL DIMENSIONS ARE IN INCHES

113T2250-3  
Torque Tube Repair  
Figure 601 (Sheet 2)

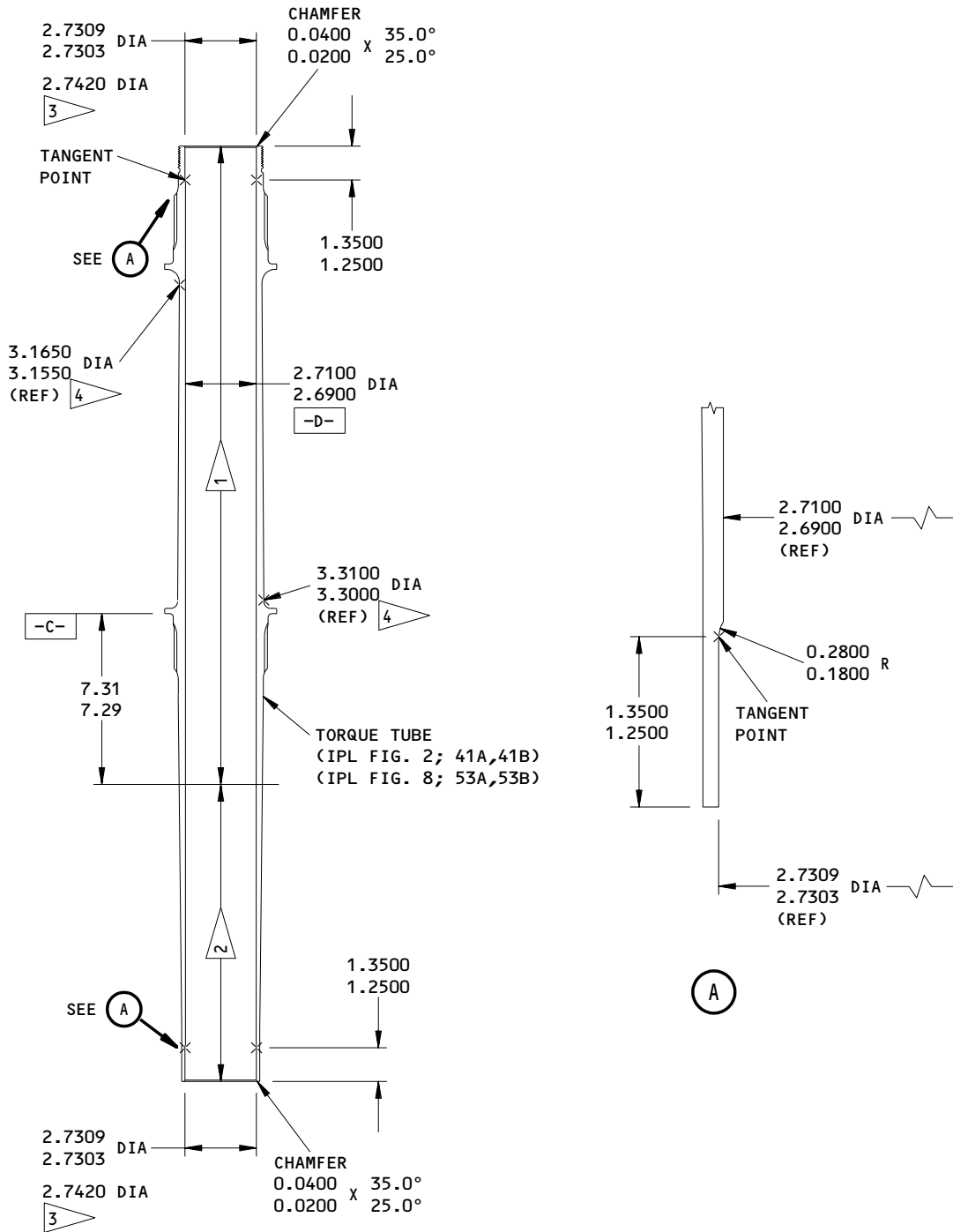
**57-53-27**

REPAIR 12-2

Page 603

Mar 01/04

01.1



113T2250-8,-403  
 Torque Tube Repair  
 Figure 602 (Sheet 1)

**57-53-27**

REPAIR 12-2

Page 604

Mar 01/04

01.1


**BOEING**  
 COMPONENT  
 MAINTENANCE MANUAL

1 INSIDE DIAMETER  
 SHOT NUMBER 170-460  
 INTENSITY 0.016A  
 COVERAGE 1.0

2 INSIDE DIAMETER  
 SHOT NUMBER 170-460  
 INTENSITY 0.008A  
 COVERAGE 1.0

3 REPAIR LIMIT

4 FOR ALLOWABLE REWORK TO THE OUTSIDE  
 DIAMETER SEE 767 STRUCTURAL REPAIR  
 MANUAL 57-53-02, FIGURE 103

125 ✓ ALL MACHINED SURFACES UNLESS SHOWN  
 DIFFERENTLY

MATERIAL: 15-5PH CRES, 180-200 KSI

BREAK ALL SHARP EDGES

ALL DIMENSIONS ARE IN INCHES

113T2250-8,-403  
 Torque Tube Repair  
 Figure 602 (Sheet 2)

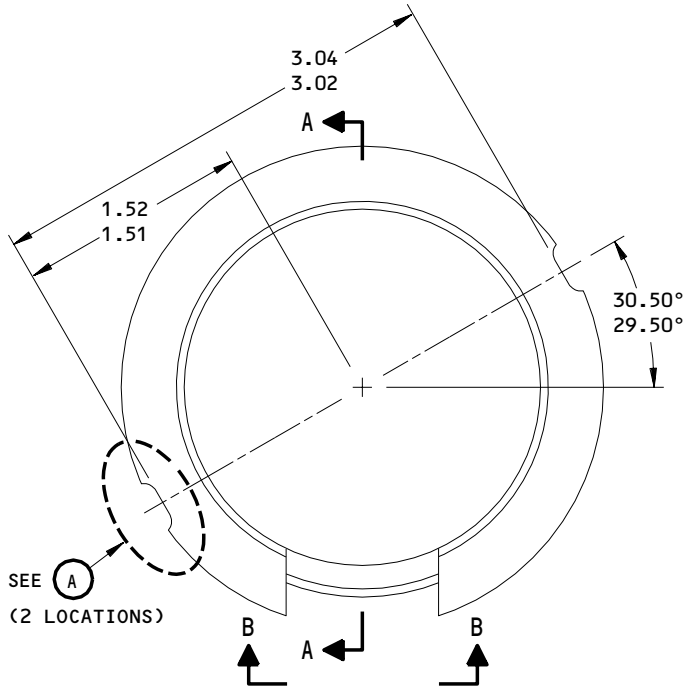
**57-53-27**

REPAIR 12-2

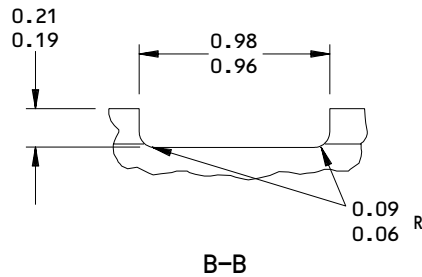
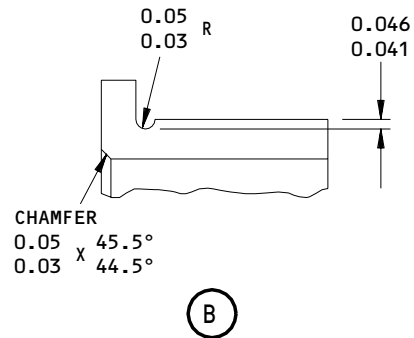
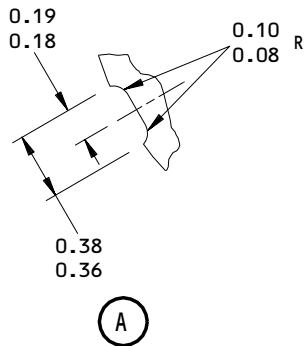
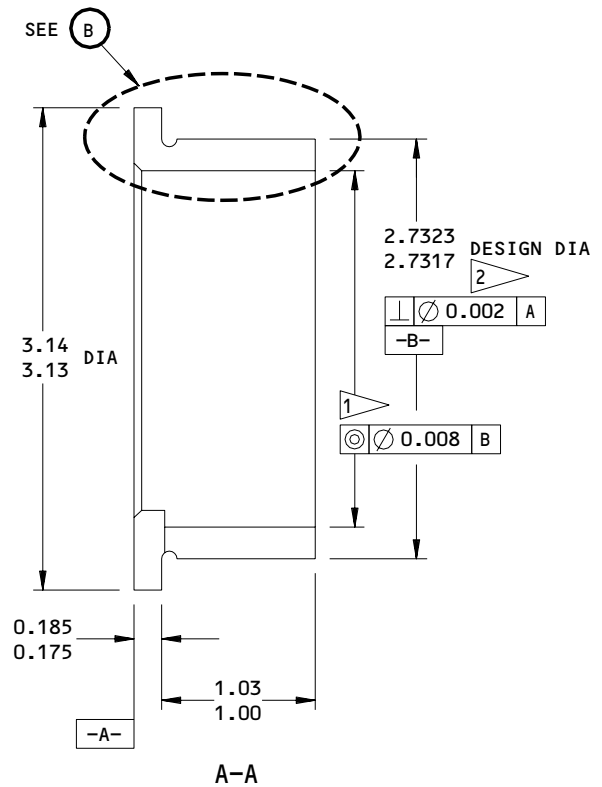
Page 605

Mar 01/04

01.1



REPLACEMENT FOR BUSHING 113T2231-1



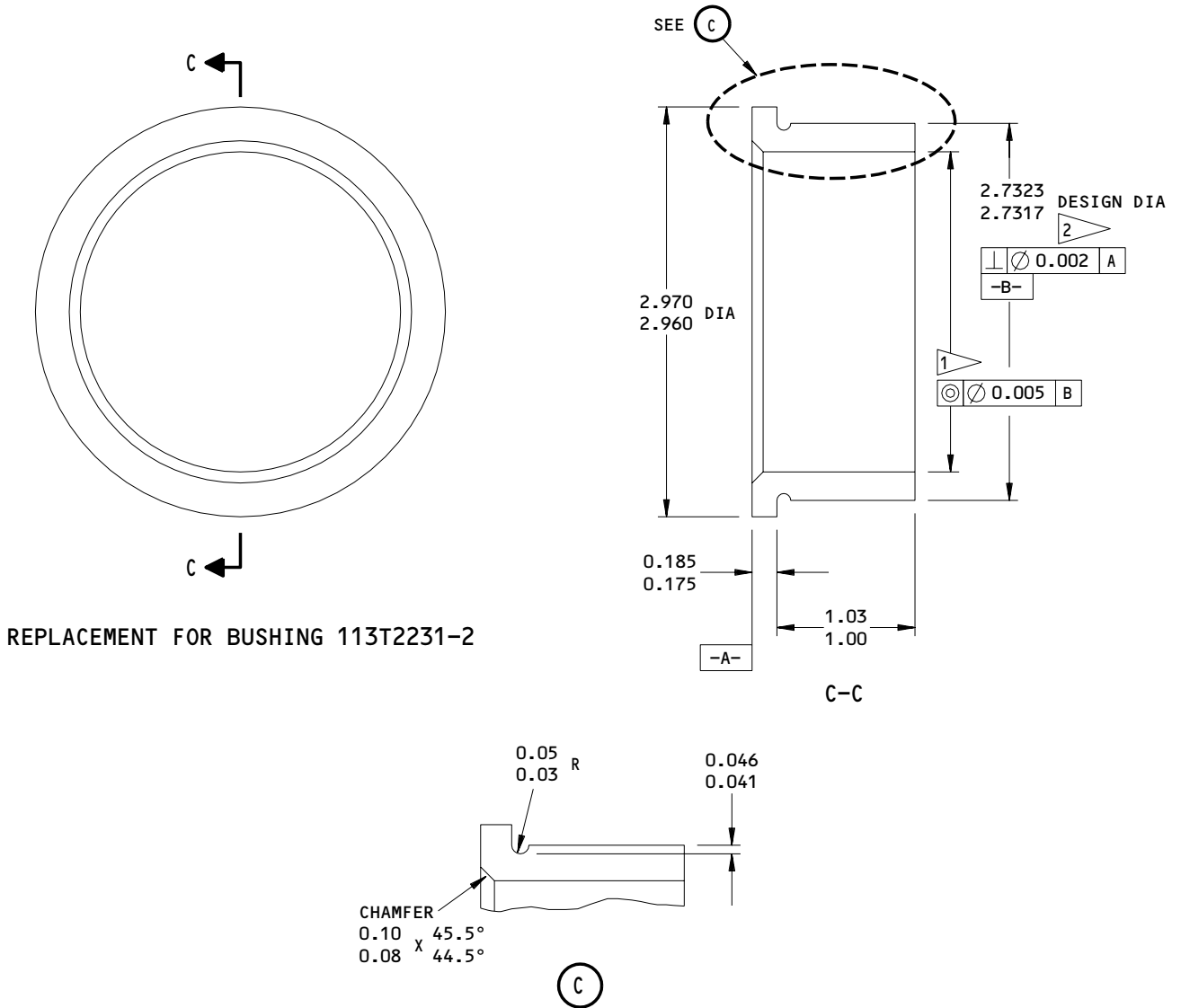
Undersize Bushing Details  
 Figure 603 (Sheet 1)

**57-53-27**

REPAIR 12-2  
 Page 606  
 Mar 01/04

01.1





REPLACEMENT FOR BUSHING 113T2231-2

- 1 BUSHING INSIDE DIAMETER EQUALS THE REPAIR DIAMETER OF 113T2251 SHEAR TUBE PLUS 0.001-0.002 CLEARANCE
- 2 THE OUTSIDE DIAMETER OF THE BUSHING AFTER PLATING IS EQUAL TO THE INSIDE DIAMETER OF THE TORQUE TUBE AFTER PLATING PLUS INTERFERENCE OF 0.0008-0.0020

63/ ALL MACHINED SURFACES UNLESS SHOWN DIFFERENTLY  
 MATERIAL: AL-NI-BR ANNEALED (AMS 4640)  
 PENETRANT INSPECT  
 BREAK SHARP EDGES  
 FINISH: CADMIUM PLATE, TYPE 2, CLASS 3 (SOPM 20-42-05)  
 ALL DIMENSIONS ARE IN INCHES  
 ALL DIMENSIONS APPLY AFTER PLATING

Undersize Bushing Details  
 Figure 603 (Sheet 2)

**57-53-27**  
 REPAIR 12-2  
 Page 607  
 Mar 01/04

01.1



RIB ASSEMBLY – REPAIR 13-1

113T2232-1, -2, -9, -10

NOTE: Refer to REPAIR-GEN for list of applicable standard practices.

1. Bushing Replacement

- A. Remove the bushing (324G, IPL Fig. 2; 275, IPL Fig. 8).
- B. If either of ribs (325, 326, 327, 329A, IPL Fig. 2; 278, 281, 284, 287, IPL Fig. 8) needs replacing apply faying surface seal of BMS 5-95 sealant between ribs. Mating surfaces of ribs must be flat to within 0.005 inch prior to joining.
- C. Machine the hole in the bushing within the repair limit shown in Fig. 601, if required.
- D. Install the bushing as specified by 20-50-03 using wet BMS 5-95, class B sealant.
- E. Fillet seal the entire periphery of the bushing flange using BMS 5-95 sealant.

2. Refinish

- A. Ribs (325, 326, 327, 329, IPL Fig. 2; 278, 281, 284, 287, IPL Fig. 8) -- Chromic acid anodize, type 1 and apply one coat BMS 10-11, type 1 primer (F-18.13) except omit primer from hole for bushing. Material: Aluminum alloy.

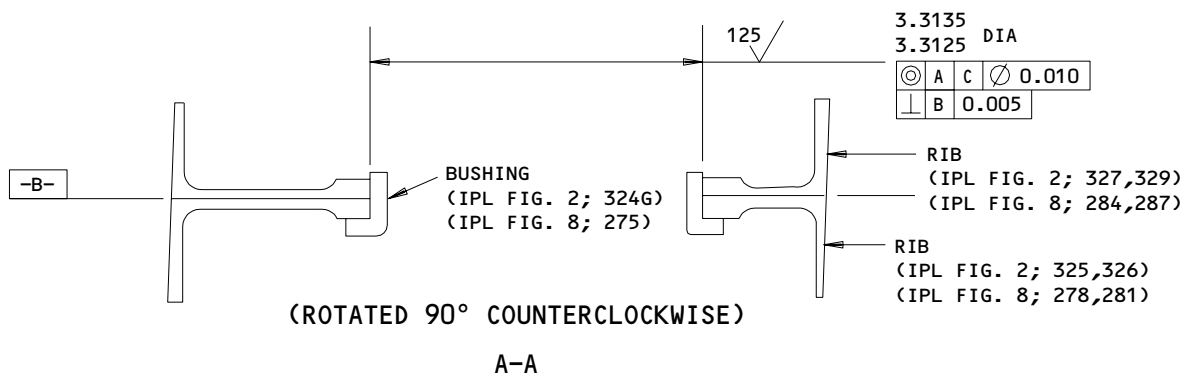
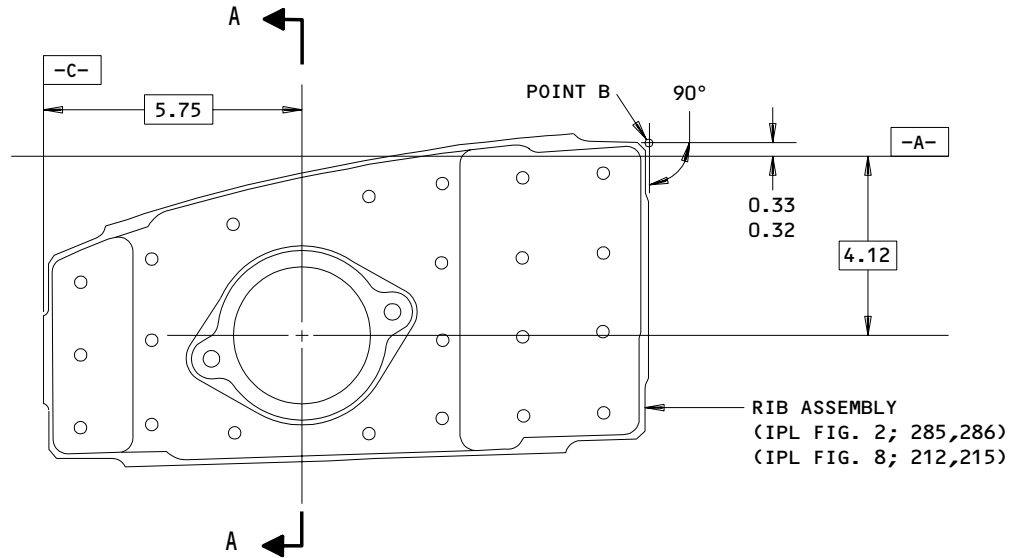
57-53-27

REPAIR 13-1

01.1

Page 601

Mar 01/00



ALL DIMENSIONS ARE IN INCHES

113T2232-1,-2,-9,-10  
 Replacement of Rib  
 Figure 601

**57-53-27**

REPAIR 13-1

01.1

Page 602

Mar 01/00

FITTING ASSEMBLY – REPAIR 14-1  
113T2255-1, -2, -9, -10

NOTE: Refer to for list of applicable standard practices.

1. Bushing (531, IPL Fig. 2; 605, IPL Fig. 8) Replacement

- A. Remove bushing.
- B. If fittings (533, 535, 537, 539, IPL Fig. 2; 608, 611, 614, 617, IPL Fig. 8) need replacement reassembly fitting halves with a faying surface seal of BMS 5-95 sealant between halves.
- C. Mismatch between fitting halves on surface shown on Fig. 601 shall not exceed 0.002 inch.
- D. Install bushing (531, IPL Fig. 2; 605, IPL Fig. 8) with BMS 5-95 sealant per SOPM 20-50-03.
- E. Machine bushing with (531, IPL Fig. 2; 605, IPL Fig. 8) as shown on Fig. 601.

2. Bushing (529, IPL Fig. 2; 602, IPL Fig. 8) Replacement

- A. Remove bushings (529, IPL Fig. 2; 602, IPL Fig. 8).
- B. Install bushings (529, IPL Fig. 2; 602, IPL Fig. 8) with BMS 5-95 sealant per SOPM 20-50-03.
- C. Machine bushings as shown on Fig. 601.
- D. Fillet seal entire periphery of bushing flanges using BMS 5-95, class B sealant.

3. Refinish

- A. Fittings (533, 535, 537, 539, IPL Fig. 2; 608, 611, 614, 617, IPL Fig. 8) -- Chromic acid anodize, type 1 and apply one coat BMS 10-11, type 1 primer (F-18.13) all over, except in hole for bushing manually apply colored chemical coating (F-17.10). Apply BMS 10-60, type 2 enamel, BAC707 gray gloss (SRF-14.9813) all over except in hole for bushing. Material: Aluminum alloy.
- B. Fitting assemblies (513, 515, IPL Fig. 2; 578, 581, IPL Fig. 8) -- Topcoat fillet seal around bushing flanges with BMS 10-60, type 2 enamel, BAC707 gray gloss (SRF-14.9813).

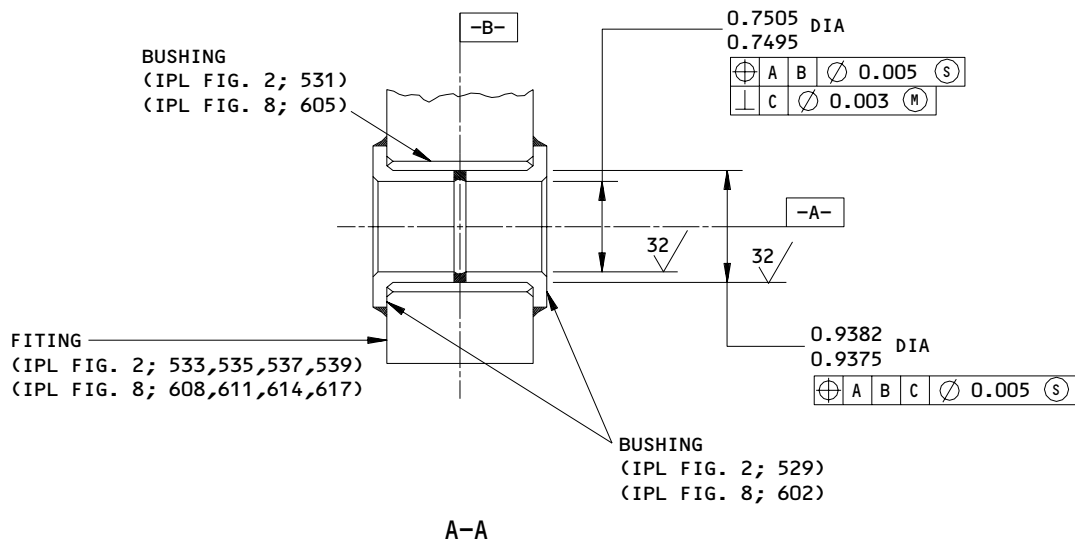
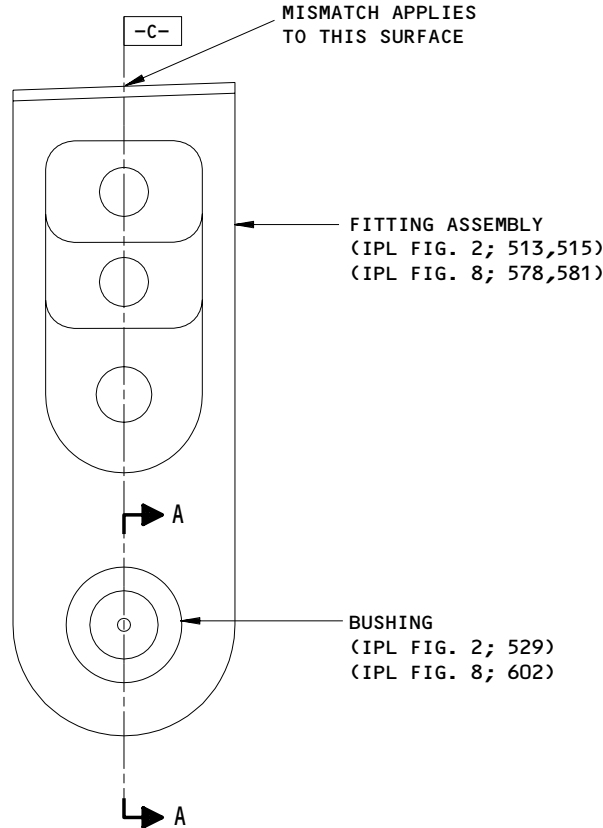
**57-53-27**

REPAIR 14-1

01.1

Page 601

Jul 01/03

**COMPONENT  
MAINTENANCE MANUAL**


ALL DIMENSIONS ARE IN INCHES

**113T2255-1,-2,-9,-10  
Bushing Replacement  
Figure 601**
**57-53-27**

REPAIR 14-1

Page 602

Jul 01/03

01.1


**BOEING**  
 COMPONENT  
 MAINTENANCE MANUAL
MISCELLANEOUS PARTS REFINISH – REPAIR 15-1

Repair of these parts is only replacement of the original finish. Refer to REPAIR – GENERAL for a list of applicable standard practices.

IPL FIG. & ITEM	MATERIAL	FINISH
<u>Fig. 1</u>		
Main Flap Assy (1, 5)		Refinish exterior surface and edges per operators standard color scheme with BMS 10-11, type 2 enamel.
Washers (8,201)	302 CRES	Cadmium plate and apply BMS 10-11, type 1 primer (F-16.01).
Washer (9)	301 CRES	Cadmium plate and apply BMS 10-11, type 1 primer (F-16.01). Apply BMS 10-60, BAC707 gray gloss enamel (SRF-14.9813).
Washer (11,201)	15-5PH CRES, 180-200 KSI	Cadmium plate and apply BMS 10-11, type 1 primer (F-16.01). Apply BMS 10-60, BAC707 gray gloss enamel (SRF-14.9813).
Washer (179)	15-5PH CRES, 180-200 KSI	Cadmium plate and apply BMS 10-11, type 1 primer (F-16.01).
Nut (13)	15-5PH CRES, 180-200 KSI	Cadmium plate and apply BMS 10-11, type 1 primer (F-16.01). Apply BMS 10-60, BAC707, gray gloss enamel (SRF-14.9813). No primer and enamel on threads.

Refinish Details  
 Figure 601 (Sheet 1)

**57-53-27**

REPAIR 15-1

01.1

Page 601

Jul 01/03

IPL FIG. & ITEM	MATERIAL	FINISH
Collars (19,21,22,22G)	4330M Steel 220-240 KSI	Cadmium-titanium plate (F-15.01) all over. Apply BMS 10-11, type 1 primer (F-20.02) on all surfaces but splines and internal diameter. Apply BMS 10-60, BAC gray gloss enamel (SRF-14.9813) on all surfaces but splined, internal diameter and coupling areas.
Stops (71,109)	15-5PH CRES, 150-170 KSI	Cadmium plate and apply BMS 10-11, type 1 primer (F-16.01). Apply BMS 10-60, BAC707 gray gloss enamel (SRF-14.9813). No primer and enamel on threads and holes.
Insert (173)	15-5PH CRES, 180-200 KSI	Cadmium plate 0.0002-0.0004 inch thick (F-15.02) all over.
Tube (175)	Al alloy	Chemical treat and apply BMS 10-11, type 1 primer (F-18.06), but no primer on threads. Apply BMS 10-60, BAC707 gray gloss enamel (SRF-14.9813) on outside diameter. Apply corrosion preventive compound BMS 3-23 (F-19.26) on inside diameter.
Fillers (229,231)	15-5PH CRES, 150-170 KSI	Cadmium plate and apply BMS 10-11, Type 1 primer (F-16.01) all over.

Refinish Details  
 Figure 601 (Sheet 2)

# 57-53-27

REPAIR 15-1

01.1

Page 602

Jul 01/03


**BOEING**  
 COMPONENT  
 MAINTENANCE MANUAL

IPL FIG. & ITEM	MATERIAL	FINISH
Strut assy (263)		Clean and coat interior surface of tube with MIL-C-11796, class 1, corrosion preventive compound (F-19.03) but not on threads.
Insert (281)	15-5PH CRES, 180-200 KSI	Cadmium plate 0.0002-0.0004 inch thick, (F-15.02). Apply BMS 10-11, type 1 primer (F-20.02). Apply BMS 10-60, BAC707 gray gloss enamel (SRF-14.9813). No primer and enamel on threads.
Tube (283)	Al alloy	Chemical treat interior and exterior surfaces and apply BMS 10-11, type 1 primer (F-18.07) but no primer on threads. Apply BMS 10-60, BAC707 gray gloss enamel (SRF-14.9813) to outside diameter.
Spar instl (477, 479)		Apply BMS 10-86, type 1 color gray (SRF-14.9624) to surfaces to touch panel assemblies (951, 953).
Stiffeners (349, 351) Ribs (761,763,817, 817A,819,819A,917, 917A,919,919A,921, 921A,923,923A)	Al alloy	Chromic acid anodize and apply BMS 10-11, type 1 primer (F-18.13).
Panel assy (666,666A,667, 667A)	Graphite/epoxy	Area between phenolic strips (668A, 669A, 670A), not covered by tedlar, prepare the surface (SRF-14.672). Apply BMS 10-60 BAC707 gray gloss enamel (SRF-14.9813).
Panel Assembly (666E,666F,667E, 667F)	Graphite/epoxy	Apply SRF-14.672 plus SRF-14.68 plus F-19.46. Stencil partmark per 20-50-10 using SRF-14.9815 black gloss enamel.

Refinish Details  
 Figure 601 (Sheet 3)

**57-53-27**

REPAIR 15-1

01.1

Page 603

Jul 01/03



IPL FIG. & ITEM	MATERIAL	FINISH
Bond assy (671A, 671B,672A,672B)	Graphite/epoxy	On the flat side, prepare the surface (SRF-14.672). Apply BMS 10-21 conductive coating (SRF-14.685, which replaces SRF-14.68). Apply BMS 10-79, type 2 primer (F-19.46). On the contoured side, apply no finish.
Retainers (693, 694,695,712A, 712G,713,714) Straps (699,704, 718,722A)	Al alloy	Chemical treat and apply BMS 10-11, type 1 primer (F-18.06). Apply BMS 10-60, BAC707 gray gloss enamel (SRF-14.9813) all over.
Bond assy (708, 708B,709W,709X, 725,726)	Kevlar/epoxy	On the side shown in Fig. 602, prepare the surface (SRF-14.672). Apply BMS 10-21 conductive coating (SRF-14.685, which replaces SRF-14.68), including countersink for electrical bonding fasteners. Apply BMS 10-79, type 2 primer (F-19.46).
Panel assy (929,931)	Al alloy	On the exterior, apply BMS 10-79, type 2 primer (F-19.46). On interior and edges apply BMS 10-11, type 1 primer (F-20.02). Apply BMS 10-86 coating (SRF-14.9624) to the area to touch door assembly (933).
Doors (947,973)	Al alloy	On interior surface chromic acid anodize and apply BMS 10-11, type 1 primer (F-18.13). On exterior surface chromic acid anodize (F-17.04) and apply BMS 10-79, type 2 primer (F-19.46).

Refinish Details  
 Figure 601 (Sheet 4)

# 57-53-27

REPAIR 15-1

01.1

Page 604

Jul 01/03


**BOEING**  
 COMPONENT  
 MAINTENANCE MANUAL

IPL FIG. & ITEM	MATERIAL	FINISH
Panel assy (951,953)	Al alloy	On the exterior, prepare the surface (SRF-14.672). Apply BMS 10-21 conductive coating (SRF-14.685 which replaces SRF-14.68). Apply BMS 10-79 type 2 primer (F-19.46). On interior apply BMS 10-11, type 1 primer (F-20.02). Add a second coat BMS 10-11, type 1 primer to area to touch rib installations (735,735A,736,736A) as shown on Fig. 603. Apply BMS 10-86 coating (SRF-14.9624) to areas to touch door assembly (955).
<u>Fig. 2</u>		
Bushing (17A)	4330M Steel, 220-240 KSI	See Fig. 604.
Shim (21)	301 CRES	Passivate (F-17.09). Apply BMS 10-11 type 1 primer (F-20.03).
Shim (22)	302 CRES	Passivate (F-17.09). Apply BMS 10-11 type 1 primer (F-20.03).
Washer (31)	15-5PH CRES, 180-200 KSI	Cadmium plate and apply BMS 10-11, type 1 primer (F-16.01).

Refinish Details  
 Figure 601 (Sheet 5)

**57-53-27**

REPAIR 15-1

01.1

Page 605

Jul 01/03

IPL FIG. & ITEM	MATERIAL	FINISH
Fitting (15K,15N) Ribs (509,511)	Al alloy	Chromic acid anodize and apply BMS 10-11, type 1 primer (F-18.13). Apply BMS 10-60, BAC707 gray gloss enamel (SRF-14.9813) all over.
Rib instl (42,42B, 43,43A,465,467)		Apply BMS 10-86 coating (SRF-14.9624) on the surfaces to touch panel assemblies (749, 751) and panel assemblies (951, 953, IPL Fig. 1).
Rib assy (52,53)	Titanium	See Fig. 605.
Rib assy (52A,53A)	Al alloy	See Fig. 606.
Ribs (99,101,103, 105)	Titanium	Apply BMS 10-11, type 1 primer (F-20.02) all over.
Ribs (99A,101A, 103A,105A,341, 341A,343,343A,453, 453A,455,455A,457, 457A,459,459A) Stiffeners (587, 591,595,599,603, 607,615,619,623, 627,631,635) Fittings (657,659, 671) Straps (685, 685A,685B,687, 687A,687B,697, 697A,699,699A) Webs (723,725) Filler (525) Support (569,570) Doublers (727,729)	Al alloy	Chromic acid anodize and apply BMS 10-11, type 1 primer (F-18.13) all over.

Refinish Details  
 Figure 601 (Sheet 6)

# 57-53-27

REPAIR 15-1

01.1

Page 606

Jul 01/03


**BOEING**  
 COMPONENT  
 MAINTENANCE MANUAL

IPL FIG. & ITEM	MATERIAL	FINISH
Brackets (561,563) Angles (579,581) Ribs (774,776,789, 791,804,806,827, 829,831,833,850, 852,865,867,880, 882,905,906,915, 916,925,927,941 943,961,963,981, 983) Fillers (819,821) Doublers (823,825)	Al alloy	Chemical treat and apply BMS 10-11, type 1 primer (F-18.06) all over.
Chords (737,737A, 739,739A,741,741A, 743,743A)	Al alloy	Chromic acid anodize and apply BMS 10-11, type 1 primer (F-18.13) all over. On end shown on Fig. 607 apply BMS 10-11, type 1 primer (F-20.02) for a minimum of 5 inches.
Panel assy (745,747)	Al alloy	Apply BMS 10-79, type 2 primer (F-19.46) on exterior. Apply BMS 10-11, type 1 primer (F-20.02) on interior and edges.
Panel assy (749,751)	Al alloy	On the exterior, prepare the surface (SRF-14.672). Apply BMS 10-21 conductive coating (SRF-14.685, which replaces SRF-14.68). Apply BMS 10-79 type 2 primer (F-19.46). On interior and edges apply BMS 10-11, type 1 primer (F-20.02).

Refinish Details  
Figure 601 (Sheet 7)

**57-53-27**

REPAIR 15-1

01.1

Page 607

Jul 01/03

IPL FIG. & ITEM	MATERIAL	FINISH
Leading edge instl (753,753A, 755,755A)		Apply BMS 10-86 coating, (SRF-14.9624) on surface of rib assemblies (763,765,778,780,793,795, 839,841,854,856,869,871,907,908,917, 918,929,931,945,947,965,967) to touch skins (985,987,989,991,997,997A,998) as shown on Fig. 608.
Doubler assy (808,810)		Apply BMS 10-86 coating, (SRF-14.9624) on surface of filler (819,821) to touch skins (989,991, 993,995,997,998) as shown on Fig. 609.
Plate assy (884,886)		Apply BMS 10-86 (SRF-14.9624) on surface of plate assemblies skins (985,987,989,991) as shown on Fig. 610.
Plates (897,898) Doublers (835,837)	Al alloy	Chromic acid anodize (F-17.04). Apply BMS 10-79, type 2 primer (F-19.46) all over.
Skins (985,987, 989,991,993,995, 997,998)	Al alloy	On the interior surface, chromic acid anodize and apply BMS 10-11, type 1 primer (F-18.13). On the exterior surface, chromic acid anodize (F-17.04) and apply BMS 10-79, type 2 primer (F-19.46).
<u>Fig. 3</u>		
Retainers (35,40, 80,85,125,130,185, 190,235,240,280, 285)	Al alloy	Chromic acid anodize and apply BMS 10-11, type 1 primer (F-18.13) all over.

Refinish Details  
Figure 601 (Sheet 8)

# 57-53-27

REPAIR 15-1

01.1

Page 608

Jul 01/03


**BOEING**  
 COMPONENT  
 MAINTENANCE MANUAL

IPL FIG. & ITEM	MATERIAL	FINISH
Straps (50,95,140, 143,200,250,295)  <u>Fig. 4</u>	Al alloy	Chemical treat and apply BMS 10-11, type 1 primer (F-18.06) all over.
Fittings (35,40, 45,50,95,100,205, 210,315,320) Plates (245,250) Doublers (475,480)	Al alloy	Chromic acid anodize and apply BMS 10-11, type 1 primer (F-18.13) all over.
Fittings (155,160, 290,295,355)	Al alloy	Chromic acid anodize and apply BMS 10-11, type 1 primer (F-18.13). Apply BMS 10-60, BAC707 gray gloss enamel (SRF-14.9813) all over.
Chords (485,490, 495,500)  <u>Fig. 5</u>	Al alloy	Chromic acid anodize and apply BMS 10-11, type 1 primer (F-18.13) all over. Apply BMS 10-11, type 1 primer (F-20.02) on unjoggled end for a minimum of 5.00 inches.
Stiffeners (35,60, 65,90,95,130,135, 160,165,170,175, 180,185,190,195, 200,205,210,215) Fittings (265,270) Straps (315,320, 420,425) Web (430) Chords (460,465, 470,475,480,485)	Al alloy	Chromic acid anodize and apply BMS 10-11, type 1 primer (F-18.13) all over.

Refinish Details  
Figure 601 (Sheet 9)

**57-53-27**

REPAIR 15-1

01.1

Page 609

Jul 01/03

IPL FIG. & ITEM	MATERIAL	FINISH
Fittings (305,310)  <u>Fig. 6</u>	Al alloy	Chromic acid anodize and apply BMS 10-11, type 1 primer (F-18.13). Apply BMS 10-11, type 1 primer (F-20.02) all over.
Main Flap Assy (1,5)		Refinish exterior surface and edges per operators standard color scheme with BMS 10-11 type 2 enamel.
Washers (29,203)	302 CRES	Cadmium plate and apply BMS 10-11, type 1 primer (F-16.01).
Washer (11)	301 CRES	Cadmium plate and apply BMS 10-11, type 1 primer (F-16.01). Apply BMS 10-60 BAC707 gray gloss enamel (SRF-14.9813).
Washer (9)	15-5PH CRES, 180-200 KSI	Cadmium plate and apply BMS 10-11, type 1 primer (F-16.01). Apply BMS 10-60, BAC707 gray gloss enamel (SRF-14.9813).
Washer (179)	15-5PH CRES, 180-200 KSI	Cadmium plate and apply BMS 10-11, type 1 primer (F-16.01).
Nut (7)	15-5PH CRES, 180-200 KSI	Cadmium plate and apply BMS 10-11, type 1 primer (F-16.01). Apply BMS 10-60, BAC707 gray gloss enamel (SRF-14.9813). No primer and enamel on threads.

Refinish Details  
Figure 601 (Sheet 10)

**57-53-27**

REPAIR 15-1

01.1

Page 610

Jul 01/03


**BOEING**  
 COMPONENT  
 MAINTENANCE MANUAL

IPL FIG. & ITEM	MATERIAL	FINISH
Collars (19,21,23,25)	4330M 220-240 KSI	Cadmium-titanium plate (F-15.01) all over. Apply BMS 10-11, type 1 primer (F-20.02) on all surfaces but splines and internal diameter. Apply BMS 10-60, BAC gray gloss enamel (SRF-14.9813) on all surfaces but splined, internal diameter and coupling areas.
Stops (65,103)	15-5PH CRES, 150-170 KSI	Cadmium plate and apply BMS 10-11, type 1 primer (F-16.01). Apply BMS 10-60, BAC707 gray gloss enamel (SRF-14.9813). No primer and enamel on threads and holes.
Insert (171)	15-5PH CRES, 180-200 KSI	Cadmium plate (F-15.02) all over 0.0002-0.0004 inch thick.
Tube (175)	Al alloy	Chemical treat and apply BMS 10-11, type 1 primer (F-18.06) but no primer on threads. Apply BMS 10-60, BAC707 gray gloss enamel (SRF-14.9813) on outside diameter. Apply corrosion preventive compound BMS 3-23 (F-19.26) on inside diameter.
Fillers (247,249)	15-5PH CRES, 150-170 KSI	Cadmium plate and apply BMS 10-11, type 1 primer (F-16.01) all over.

Refinish Details  
 Figure 601 (Sheet 11)

**57-53-27**

REPAIR 15-1

01.1

Page 611

Jul 01/03



IPL FIG. & ITEM	MATERIAL	FINISH
Strut Assy (265)		Clean and coat interior surface of tube with MIL-C-11796, class 1, corrosion preventive compound (F-19.03) on threads.
Insert (285)	15-5PH CRES, 180-200 KSI	Cadmium plate (F-15.02), 0.0002-0.0004 inch thick. Apply BMS 10-11, typ1 primer (F-20.02). Apply BMS 10-60, BAC707 gray gloss enamel (SRF-14.9813). No primer and enamel on threads.
Tube (287)	Al alloy	Chemical treat interior and exterior surfaces and apply BMS 10-11, type 1 primer (F-18.07), but no primer on threads. Apply BMS 10-60, BAC707 gray gloss enamel (SRF-14.9813) to outside diameter.
Spar Instl (475, 477)		Apply BMS 10-86 coating (SRF-14.9624) to the surface to touch panel assemblies (893,895).
Stiffeners (345, 347) Ribs (755,757,805, 807,851,853,855, 857)	Al alloy	Chromic acid anodize and apply BMS 10-11, type 1 primer (F-18.13).
Panel Assy (483, 485)	Graphite/epoxy	On the area between phenolic strips (668A,669A,670A) which is not covered by tedlar, prepare surface (SRF-14.672). Apply BMS 10-60, BAC 707 gray gloss enamel (SRF-14.9813).

Refinish Details  
 Figure 601 (Sheet 12)

# 57-53-27

REPAIR 15-1

01.1

Page 612

Jul 01/03


**BOEING**  
 COMPONENT  
 MAINTENANCE MANUAL

IPL FIG. & ITEM	MATERIAL	FINISH
Bond Assy (493, 495)	Graphite/epoxy	On the flat side, prepare the surface (SRF-14.672). Apply BMS 10-21 conductive coating (SRF-14.685 which replaces SRF-14.68). Apply BMS 10-79 type 2 primer (F-19.46). On the contoured side, apply no finish.
Retainers (547, 549, 551, 609, 611, 613, 615) Straps (559, 564, 623, 631)	Al alloy	Chemical treat and apply BMS 10-11, type 1 primer (F-18.06). Apply BMS 10-60, BAC707 gray gloss enamel (SRF-14.9813) all over.
Bond Assy (493, 495, 591, 593)	Kevlar/epoxy	On the side shown in Fig. 602, prepare the surface (SRF-14.672). Apply BMS 10-21 conductive coating (SRF-14.685 which replaces SRF-14.68) including countersink for electrical bonding fasteners. Apply BMS 10-79, type 2 primer (F-19.46).
Panel Assy (875, 877)	Al alloy	On the exterior, apply BMS 10-79, type 2 primer (F-19.46). On the interior and edges, apply BMS 10-11, type 1 primer (F-20.02). Apply BMS 10-86 to that area to touch door assembly (879).
Doors (891, 909)	Al alloy	On the interior surface, chromic acid anodize and apply BMS 10-11, type 1 primer (F-18.13). On the exterior surface, chromic acid anodize, (F-17.04) and apply BMS 10-79, type 2 primer (F-19.46).

Refinish Details  
 Figure 601 (Sheet 13)

**57-53-27**

REPAIR 15-1

01.1

Page 613

Jul 01/03

IPL FIG. & ITEM	MATERIAL	FINISH
<p>Panel Assy (893, 895)</p> <p><u>Fig . 7</u></p>	<p>Al alloy</p>	<p>On the exterior, prepare the surface (SRF-14.672). Apply BMS 10-21 conductive coating (SRF14-685 which replaces SRF-14.68). Apply BMS 10-79 type 2 primer (F-19.46). On the interior, apply BMS 10-11, type 1 primer (F-20.02). Add a second coat of BMS 10-11, type 1 primer to the area that will touch rib installations (665,667) as shown on Fig. 603. Apply BMS 10-86 coating (SRF-14.9624) to the areas to touch door assembly (897).</p>
<p>Main Flap Assy (1, 5)</p>		<p>Refinish exterior surface and edges per operators standard color scheme with BMS 10-11, Type 2 enamel.</p>
<p>Washers (8)</p>	<p>15-5 PH CRES 150-170KSI</p>	<p>Cadmium plate and apply BMS 10-11, Type 1 primer (F-16.01) to all surface of the washer other than the threaded area. Apply cadmium plate (F-15.06) to the threaded area.</p>

Refinish Details  
Figure 601 (Sheet 14)

**57-53-27**

REPAIR 15-1

01.1

Page 614

Jul 01/03


**BOEING**  
 COMPONENT  
 MAINTENANCE MANUAL

IPL FIG. & ITEM	MATERIAL	FINISH
Washer (10)	15-5 PH CRES 180-200KSI	Cadmium plate and apply BMS 10-11, Type 1 primer (F-16.01) and apply enamel (SRF-14.9813) to all surface of the washer other than the threaded area. Apply cadmium plate (F-15.06) to the threaded area.
Washer (12)	15-5 PH CRES 180-200KSI	Cadmium plate and apply BMS 10-11, Type 1 primer (F-16.01) and apply enamel (SRF-14.9813) to all surface of the washer other than the threaded area. Apply cadmium plate (F-15.06) to the threaded area.
Nut (14)	15-5 PH CRES 180-200KSI	Cadmium plate and apply BMS 10-11, Type 1 primer (F-16.01) to all surface of the washer other than the threaded area. Apply cadmium plate (F-15.06) to the threaded area.
Fitting (20A, 22A, 24A, 26A)	15-5 PH CRES 180-200KSI	Passivate (F-17.25) all over.

Refinish Details  
 Figure 601 (Sheet 15)

**57-53-27**

REPAIR 15-1

01.1

Page 615

Jul 01/03

IPL FIG. & ITEM	MATERIAL	FINISH
Fitting (20, 22, 24, 26)	4330M Steel 220-240KSI	Cadmium-titanium plate (F-15.32) all over. Apply BMS 10-11, Type 1 primer (F-20.02) plus BMS 10-60, Type 1 enamel (F-14.9813) to all surfaces other than the splined, internal diameter and coupling areas.
Stop (66, 104)	15-5 PH CRES 150-170KSI	Cadmium plate and apply BMS 10-11, Type 1 primer (F-16.01). Apply enamel (SRF-14.9813) to all surfaces other than the holes and threads.
Insert (170)	15-5 PH CRES 180-200KSI	Cadmium plate (F-15.02) all over.
Tube (172)	Al alloy	Chemical treat and apply BMS 10-11, Type 1 primer (F-18.06) to all surfaces other than the threads. Apply BMS 10-60, enamel (F-14.9813) on the outside diameter and apply corrosion preventive compound BMS 3-23 (F-19.26) on the inside diameter.
Fillers (230, 232)	15-5 PH CRES 180-200KSI	Cadmium plate and apply BMS 10-11, Type 1 primer (F-16.01) all over.
Insert (286)	15-5 PH CRES 180-200KSI	Cadmium plate (F-15.02) all over. Apply BMS 10-11, Type 1 primer (F-20.02) plus BMS 10-60, enamel (F-14.9813) to all surfaces other than the threads or bushing holes.

Refinish Details  
 Figure 601 (Sheet 16)

# 57-53-27

REPAIR 15-1

01.1

Page 616

Jul 01/03


**BOEING**  
 COMPONENT  
 MAINTENANCE MANUAL

IPL FIG. & ITEM	MATERIAL	FINISH
Tube (288)	Al alloy	Chemical treat interior and exterior surfaces and apply BMS 10-11, Type 1 primer (F-18.07) to all surfaces other than the threads. Apply BMS 10-60, enamel (F-14.9624) to the outside diameter.
Stiffener (346, 348)	Al alloy	Chrome acid anodize and apply BMS 10-11, Type 1 primer (F-18.13) all over.
Panel assy (482, 484)	Graphite/epoxy	On the area between the phenolic strips (486, 488) which is not covered by tedlar, prepare surface (SRF-14.672). Apply BMS 10-60, BAC 7078 gray gloss enamel (SRF-14.9813).
Bond assy (490, 492, 598, 600)	Kevlar/epoxy	On the flat side, prepare the surface (SRF-14.672). Apply BMS 10-21 conductive coating (F-14.685). Apply BMS 10-79, Type 2 primer (F-19.46). On the contoured side, apply no finish.
Retainers (554, 556, 558, 612, 616, 618)	Al alloy	Chemical treat and apply BMS 10-11, Type 1 primer (F-18.06) and apply BMS 10-60, gray gloss enamel (F-14.9813) all over.

Refinish Details  
Figure 601 (Sheet 17)

57-53-27

REPAIR 15-1

01.1

Page 617

Jul 01/03

IPL FIG. & ITEM	MATERIAL	FINISH
Straps (566, 576, 626, 634)	Al alloy	Chemical treat and apply BMS 10-11, Type 1 primer (F-18.06) and apply BMS 10-60, gray gloss enamel (F-14.9813) all over.
Retainer (608A, 610A)	Al alloy	Chemical treat and apply BMS 10-11, Type 1 primer (F-18.06) all over.
Panel (640, 642) -	Graphite/epoxy	On the flat side, prepare the surface (SRF-14.672). Apply BMS 10-21 conductive coating (F-14.685). Apply BMS 10-79, Type 2 primer (F-19.46). On the contoured side, apply no finish.
Fitting (644)	Al alloy	Chrome acid anodize and apply BMS 10-11, Type 1 primer (F-18.13) all over.
Panel assy (882, 884)	Graphite/epoxy	On the exterior, apply BMS 10-79, Type 2 primer (F-19.46). On the interior and edges, apply BMS 10-11, Type 1 primer (F-20.02).
Door (898, 916)	Al alloy	On the interior surface chromic acid anodize and apply BMS 10-11, Type 1 primer (F-18.13). On exterior surface chromic acid anodize (F-17.04) and apply BMS 10-79, Type 2 primer (F-19.46).

Refinish Details  
 Figure 601 (Sheet 18)

# 57-53-27

REPAIR 15-1

01.1

Page 618

Jul 01/03


**BOEING**  
 COMPONENT  
 MAINTENANCE MANUAL

IPL FIG. & ITEM	MATERIAL	FINISH
Panel assy (900, 902)	Graphite/epoxy	On the exterior, prepare the surface (SRF-14.672). Apply BMS 10-21 conductive coating (SRF-14.685). Apply BMS 10-79, Type 2 primer (F-19.46). On interior, apply BMS 10-11, Type 1 primer (F-20.02).
<u>Fig. 8</u>		
Bushing (21, 22)	4330M Steel 220-240KSI	Apply BMS 10-11, Type 1 primer (F-20.02) plus BMS 10-60, Type 1 enamel (F-14.9813) to the surfaces shown in Fig. 604.
-		
Bushing (21A, 22A)	15-5 PH CRES 180-200KSI	Passivate (F-17.25) all over.
Shim (23)	CRES	Passivate (F-17.09) and apply BMS 10-11, Type 1 primer (F-20.03) all over.
Washer (38)	15-5 PH CRES 180-200KSI	Cadmium plate and apply BMS 10-11, Type 1 primer (F-16.01). Cadmium plate (F-15.06) on the inside diameter only.

Refinish Details  
 Figure 601 (Sheet 19)

**57-53-27**

REPAIR 15-1

01.1

Page 619

Jul 01/03



IPL FIG. & ITEM	MATERIAL	FINISH
Rib Assembly (80, 83)		Chromic acid anodize and apply BMS 10-11, Type 1 primer (F-18.13) all over. Chemical treat (F-17.10) the 4.40 inch hole. Apply BMS 10-60 enamel (F-14.9812, which replaces SRF-14.9813) as shown in Fig. 606.
Rib Support (305, 308, 488, 491, 494, 497) Support (659, 662) Stiffener (689, 692, 695, 698, 701, 704, 707, 710, 713, 716, 719, 722) Fitting (746, 749, 767) Straps (788, 791, 815, 818) Web (854, 857) Doublers (880, 863 )	Al alloy	Chromic acid anodize and apply Apply BMS 10-11, Type 1 primer (F-18.13) all over.
Rib End (572, 575)	Al alloy	Chromic acid anodize and apply BMS 10-11, Type 1 primer (F-18.13). Apply BMS 10-60 enamel (F-14.9812, which replaces SRF-14.9813) all over.
Bracket (650, 653) Angle (677, 680)		Chemical trat and apply BMS 10-11, Type 1 primer (F-18.06 all over.

 Refinish Details  
 Figure 601 (Sheet 20)

**57-53-27**

REPAIR 15-1

01.1

Page 620

Jul 01/03


**BOEING**  
 COMPONENT  
 MAINTENANCE MANUAL

IPL FIG. & ITEM	MATERIAL	FINISH
Chord (881,884,887,890)		Chromic acid anodize and apply BMS 10-11, Type 1 primer (F-18.13) all over.
Panel Assy (893,896)		Apply BMS 10-79, Type 2 primer (F-19.46) on exterior. Apply BMS 10-11, Type 1 primer (F-20.02) on the inner surfaces.
Panel Assy (899,902)		Prepare the surface (SRF-14.672). Apply BMS 10-21 coating (F-14.685, which replaces SRF-14.68) and apply BMS 10-79, Type 2 primer (F-19.46). Apply BMS 10-11, Type 1 primer (F-20.02) to the inner surface.
<u>Fig. 9</u>		
Leading Edge Instl		Apply BMS 10-86 Teflon coating (F-14.9625, which replaces SRF-14.9625) on the surface of rib assemblies to touch skins as shown in Fig. 608.

Refinish Details  
 Figure 601 (Sheet 21)

**57-53-27**

REPAIR 15-1

01.1

Page 621

Jul 01/03

IPL FIG. & ITEM	MATERIAL	FINISH
Rib (65,70,145,150,155,160,215,220,265,270,315,320,410,415,460,465,510,515,560,565,610,615,660,665, Filler (125,130) Doubler (135,140) Plate (380,385)	Al alloy	Chemical treat and apply BMS 10-11, Type 1 primer (F-18.06) all over.
Doubler (75,80)		Apply BMS 10-86 Teflon coating (F-14.9624, which replaces SRF-14.9624) as shown in Fig. 609.
Doubler (165,170)	Al alloy	Chromic acid anodize (F-17.04) and apply BMS 10-79, Type 2 primer (F-19.46) all over.
Skins (670,675,680,685,690,695)	Al alloy	Chromic acid anodize and apply BMS 10-11, Type 1 primer (F-18.13) to the interior surfaces. Chromic acid anodize (F-17.04) and apply BMS 10-79, Type 2 primer (F-19.46) to the exterior surfaces.

Refinish Details  
Figure 601 (Sheet 22)

**57-53-27**

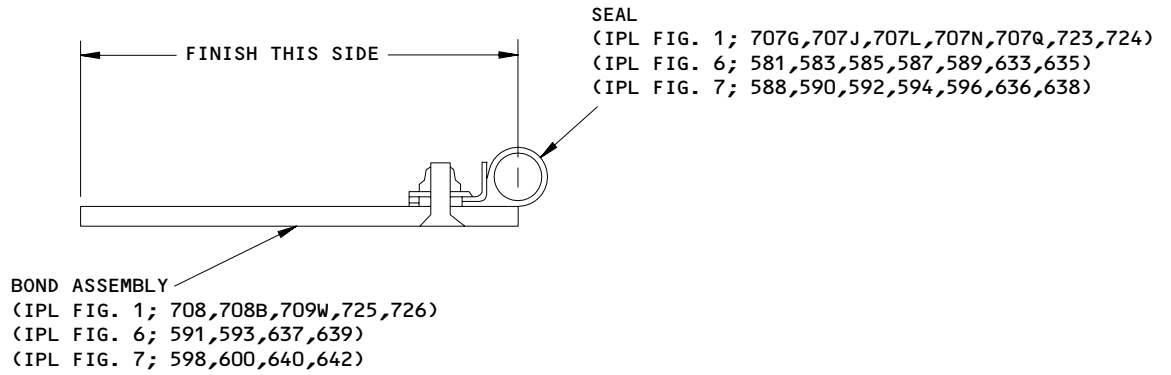
REPAIR 15-1

01.1

Page 622

Jul 01/03

**BOEING**  
 COMPONENT  
 MAINTENANCE MANUAL



113T2261-5,-6,-7,-8  
 Refinish of Bond Assembly  
 Figure 602

L43291

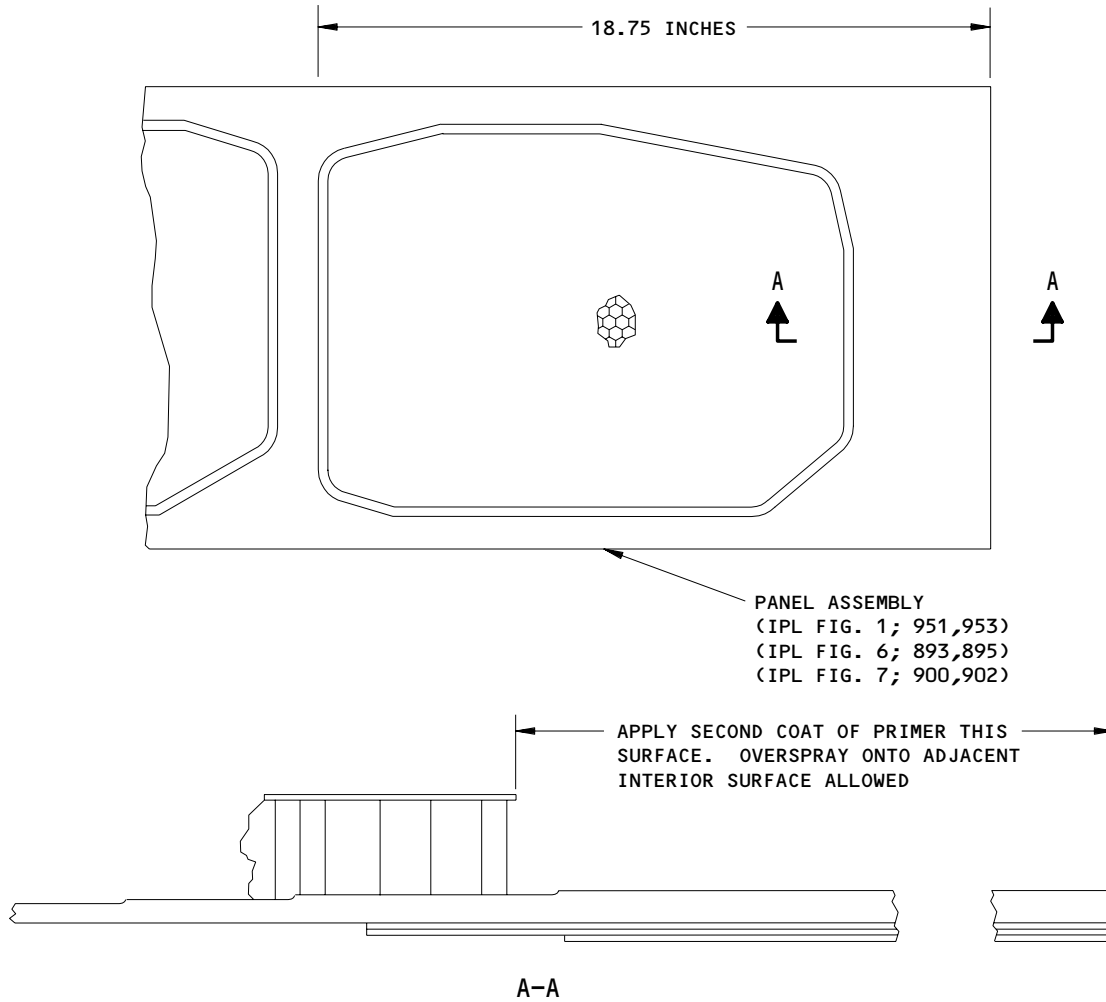
57-53-27

REPAIR 15-1

01.1

Page 623

Jul 01/03



113T2243-1,-2  
Refinish of Panel Assembly  
Figure 603

6710

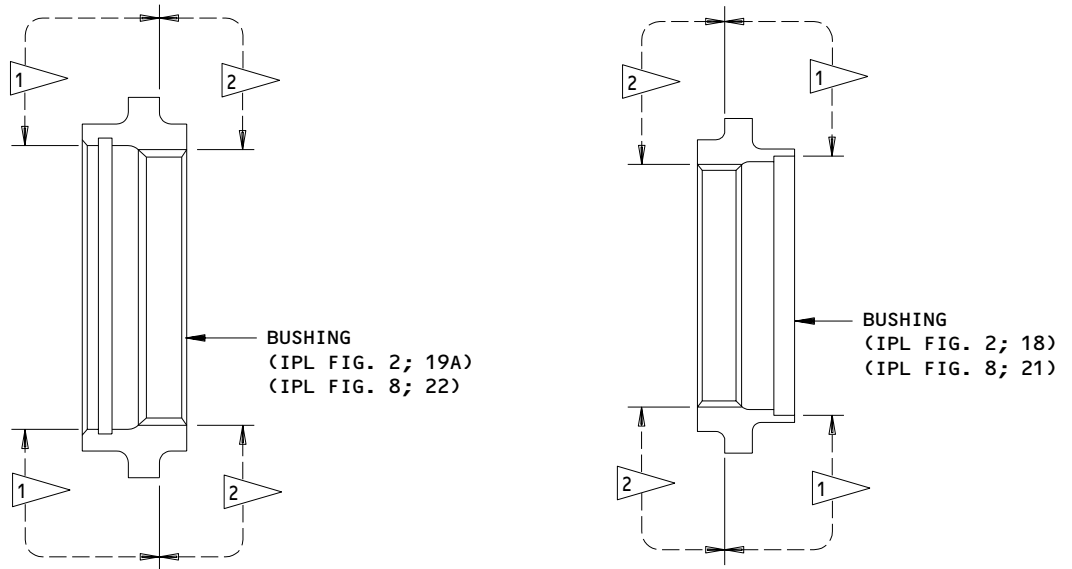
**57-53-27**

REPAIR 15-1

Page 624

Jul 01/03

01.1



- 1 APPLY ONE COAT OF BMS 10-11, TYPE 1 PRIMER (F-20.02).  
 APPLY BMS 10-60, BAC707, GRAY GLOSS ENAMEL (SRF-14.9813)
- 2 APPLY ONE COAT OF BMS 10-11, TYPE 1 PRIMER (F-20.02)

113T2251-1,-2  
 Refinish of Bushing  
 Figure 604

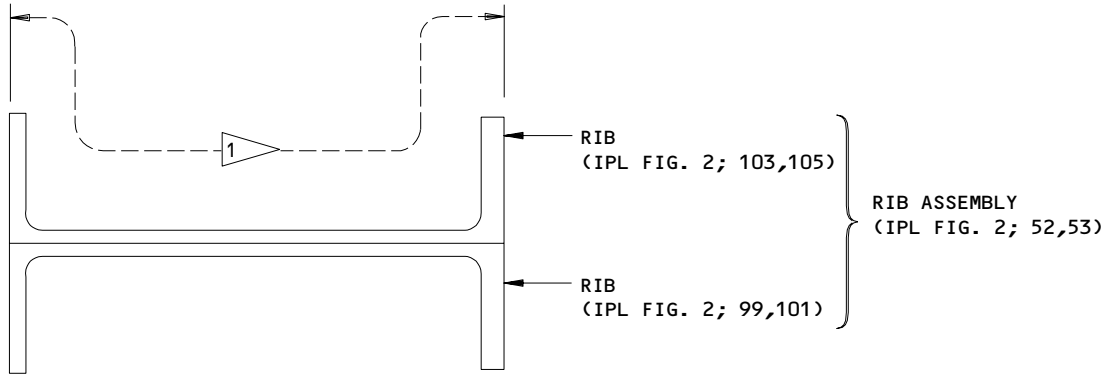
**57-53-27**

REPAIR 15-1

Page 625

Jul 01/03

01.1



1 APPLY BMS 10-60, BAC707 GRAY GLOSS  
ENAMEL (SRF-14.9813)  
-ENAMEL IN 4.40 INCH DIA BORE OPTIONAL.  
ENAMEL IN 0.625 INCH DIA HOLES NOT  
PERMITTED

113T2237-1,-2  
Refinish of Chord  
Figure 605

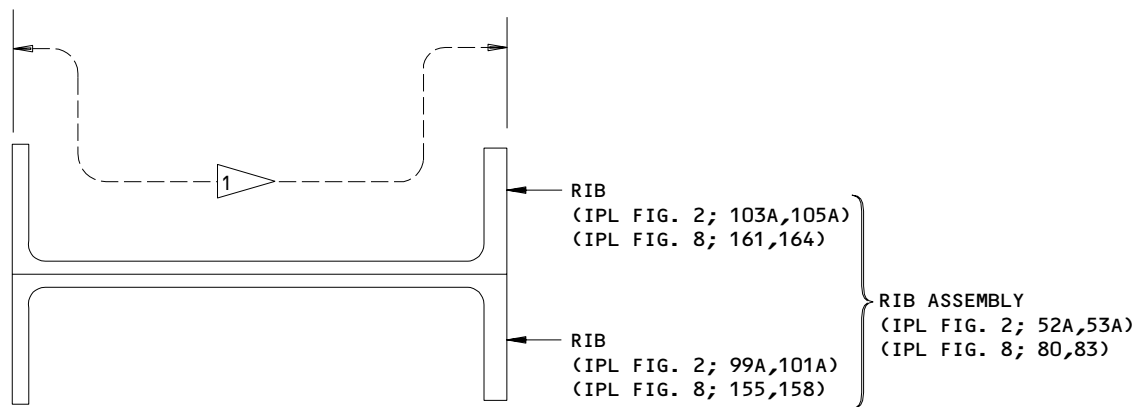
**57-53-27**

REPAIR 15-1

01.1

Page 626

Jul 01/03



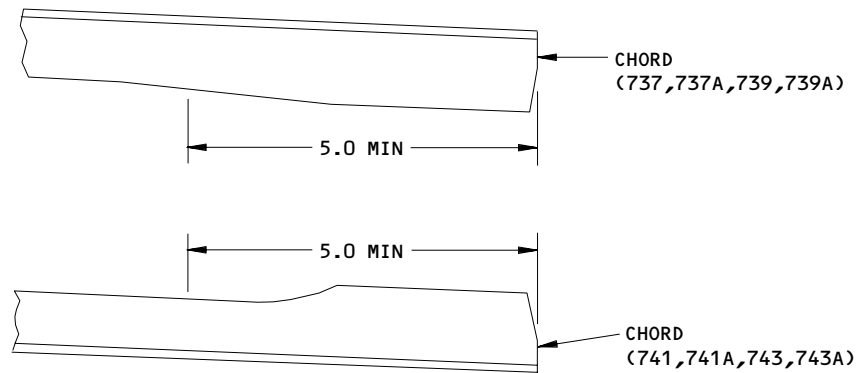
1 APPLY BMS 10-60, BAC707 GRAY GLOSS ENAMEL (SRF-14.9813)  
 -ENAMEL IN 4.40 INCH DIA BORE OPTIONAL.  
 ENAMEL IN 0.625 INCH DIA HOLES NOT PERMITTED

113T2237-9,-10  
 Refinish of Rib Assembly  
 Figure 606

**57-53-27**  
 REPAIR 15-1  
 Page 627  
 Jul 01/03

01.1





ALL ITEM NUMBERS REFER TO FIG. 2

ALL DIMENSIONS ARE IN INCHES

113T2221-1,-2,-3,-4,-5,-6,-7,-8  
Refinish of Chord  
Figure 607

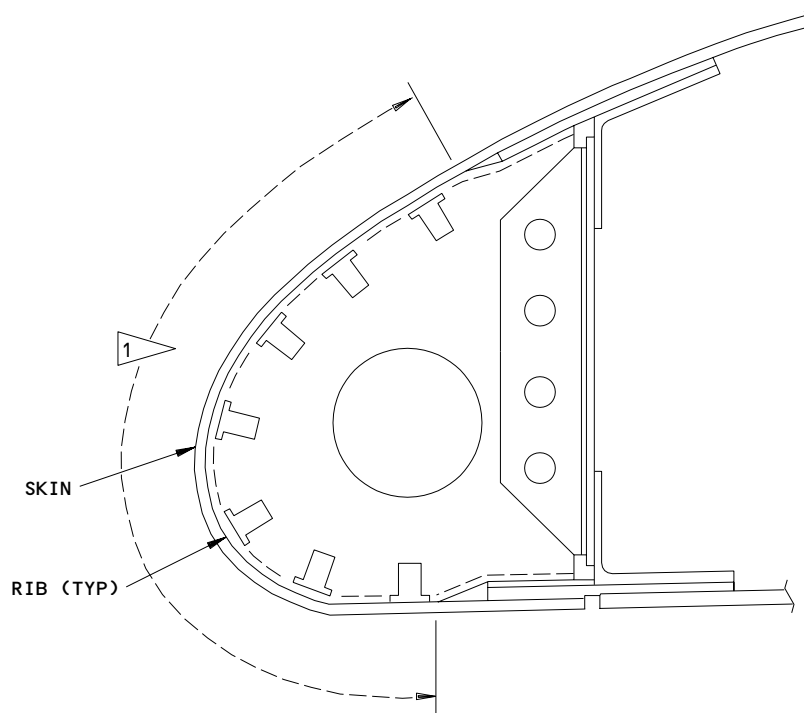
**57-53-27**


REPAIR 15-1

01.1

Page 628

Jul 01/03



 APPLY BMS 10-86 THIS SURFACE BETWEEN RIBS  
AND SKIN

113T2207-3,-4,-15,-16  
Refinish of Leading Edge Installation  
Figure 608

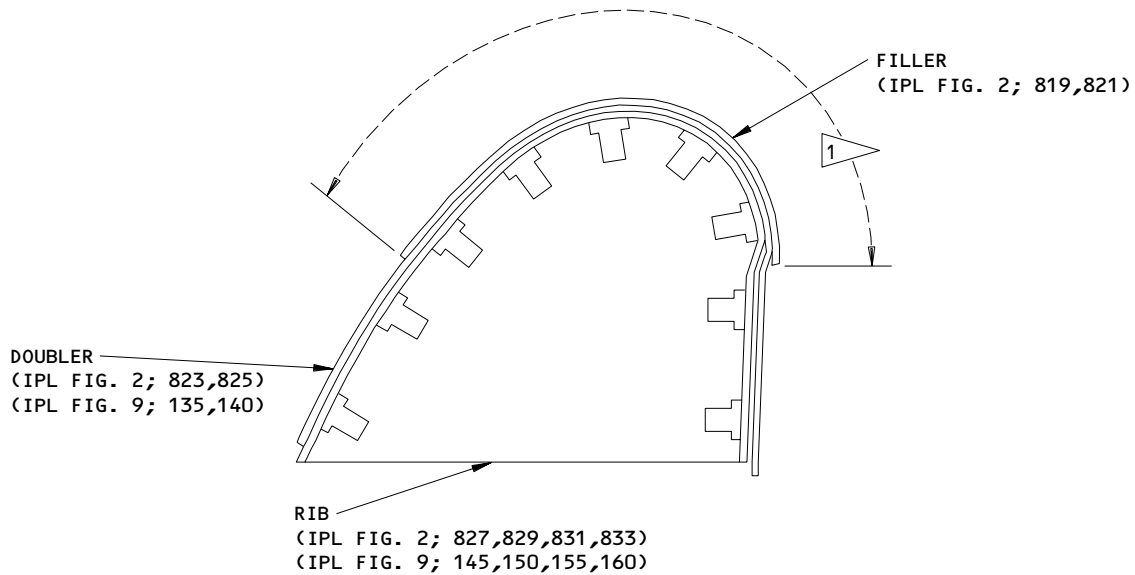
**57-53-27**

REPAIR 15-1

Page 629

Jul 01/03

01.1



1 APPLY BMS 10-86 TO SURFACE OF FILLER CONTACTING SKINS

113T2207-5,-6  
Refinish of Doubler Assembly  
Figure 609

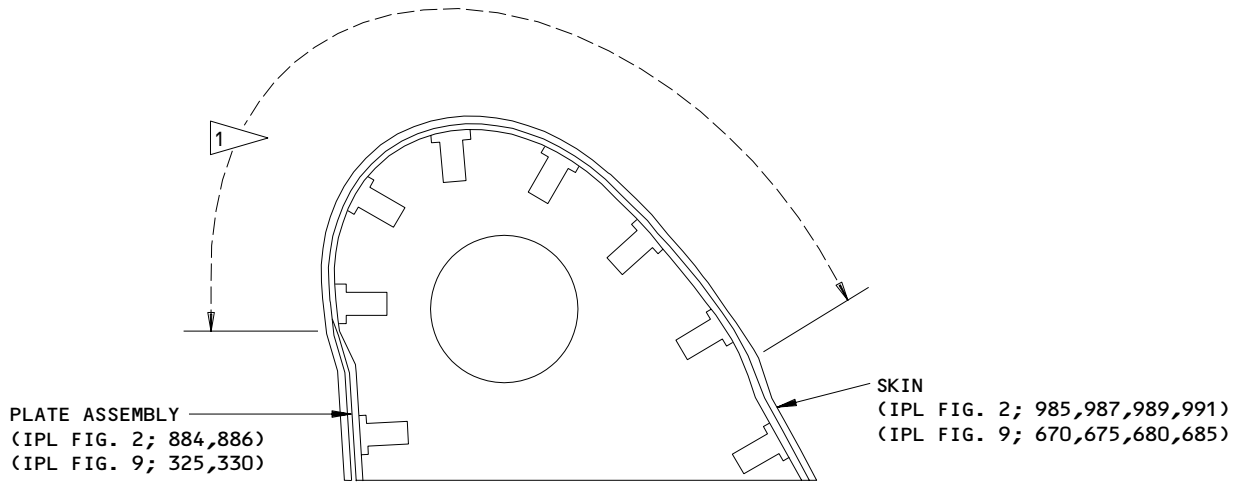
**57-53-27**

REPAIR 15-1

Page 630

Jul 01/03

01.1



1 APPLY BMS 10-86 THIS SURFACE BETWEEN  
PLATE ASSEMBLY AND SKIN

113T2207-7,-8  
Refinish of Plate Assembly  
Figure 610

**57-53-27**

REPAIR 15-1

Page 631

Jul 01/03

01.1

COVE PANEL ASSEMBLY - REPAIR 16-1

113T2261-1, -2, -3, -4, -63, -64

**NOTE:** Refer to REPAIR-GEN for a list of applicable standard practices.

**1. Cove Panel Repair****A. Reactivate Enamel Surfaces:**

- (1) Solvent wipe the panel surface with 50/50 MEK/toluene.
- (2) Lightly sand the surface with #180 or finer grit abrasive to remove all gloss.
- (3) Clean the surface with clean wipers wet with 50/50 MEK/toluene. Wipe dry with dry cheesecloth.

**B. Mask off the adjacent surfaces.****C. Mix BMS 5-95 Class F sprayable sealant 15 to 1 by weight or 100 to 6.9 by volume and thin 20% with 50/50 MEK/toluene. (The pot life is approximately 1.5 hours at 75°F).****D. With an air spray of 50 psi minimum, apply 2 layers of BMS 5-95, Class F sealant, each layer approximately 5-8 mils wet film thickness to give a dry film thickness of 6 to 10 mils, to the exterior surface of the panel. Apply each layer in continuous multiple passes to get the specified thickness. Let each layer dry 15-30 minutes before you apply the next layer.**

**NOTE:** Increase the air spray pressure as necessary to let you spray the material.

**E. You can use these alternatives to apply the BMS 5-95, Class F sealant.**

- (1) Option 1: Apply per step D, but apply 4 layers each with a wet thickness of approximately 3.5 mils.
- (2) Option 2: Mix, thin and apply the sealant by any method which will give a 6-10 mils dry film thickness of BMS 5-95 sealant.

**57-53-27**

REPAIR 16-1

01.1

Page 601

Jul 01/98

- F. Cure the BMS 5-95, Class F sealant at 60°F minimum for 2-72 hours or at 100°F-140°F for 1-4 hours.
- G. Within 72 hours, apply BMS 10-60, Type 2 enamel to get a dry film thickness of 2-4 mils. Use the airline's color scheme. For a better bond between the sealant and the enamel, you can apply BMS 10-79, Type 2 primer before you apply the enamel.
- H. Let the top coat cure for a minimum of 3 hours at 60°F minimum.

**NOTE:** For panels refinished after installation, installation screw heads can be covered. For panels refinished before installation, these screw heads can be unsealed.

## 2. Cove Panel Replacement

- A. Remove the old panel. Keep all fasteners that are installed in nutplates. If there are shims, make a note of the thickness and location of each one to help during assembly.
- B. Carefully remove all fasteners to help prevent damage to the holes in the mating structure, or it could be necessary to oversize the holes during the installation of the replacement panel. Make a note of the location of each fastener to help during assembly.
- C. Keep the old panel as a guide to help you adjust the replacement panel before you install it.
- D. Remove material from the edges of the replacement panel as necessary for a good fit with the mating parts. Apply BMS 10-79, Type 2 primer to the cut edges.
- E. Put the panel in position on the support structure. Adjust the position to get the specified gaps with the adjacent panels. Then drill and countersink the holes for the fasteners, with the holes in the support structure as a guide.

**57-53-27**

REPAIR 16-1

01.1

Page 602

Jul 01/98

**BOEING**  
COMPONENT  
MAINTENANCE MANUAL

- F. At the location of bonding fasteners, remove protective finish to show the conductive coating for a minimum of 0.5 inch radius around the fastener hole. Apply BMS 10-21 conductive coating to the countersink and the adjacent area to make an overlap with the coating there now. Refer to SOPM 20-10-06 for more details about the application of conductive coating.
- G. Install shims as necessary between the panel and the support structure.
- H. Install the old or replacement fasteners. Kits 113T2067-9, opposite -10 contain replacement fasteners. Refer to SB 767-57-0019 for more details of fastener locations. If holes are damaged, make them oversized and use the indicated first or second oversize fasteners. Install bolts BACB30NW-series with wet BMS 5-95 sealant. Apply primer to the countersinks of holes to get BACB30NN-series fasteners, let the primer dry, then apply MIL-C-11796, Class 3 corrosion preventive compound to the holes and their countersinks no more than 2 hours before you install the bolts.
- I. Fill the gaps between the replacement panel and the adjacent panel with BMS 5-95 sealant.

**57-53-27**

REPAIR 16-1

01.1

Page 603

Jul 01/98



SHEAR TUBE – REPAIR 17-1

113T2251-1, -3, -401

NOTE: Refer to REPAIR – GENERAL for list of applicable standard practices.

CAUTION: REPAIR OF THE SHEAR TUBE ENDS REQUIRES MANUFACTURE OF THE UNDERSIZE BUSHINGS SHOWN IN REPAIR 12-1. EXCESSIVE ASSEMBLY CLEARANCE WILL EXIST IF UNDERSIZE BUSHINGS ARE NOT USED.

1. Shear Tube Repair

A. Machining

- (1) Machine the shear tube to remove corrosion or damage as required up to the repair diameter shown in Fig. 601.

B. Blending

- (1) Blend out scratches and gouges using a 10 to 1 ratio up to the repair limit shown in Fig. 601.

2. Shear Tube Refinish

- A. Shear Tube (29,29A,IPL Fig. 2; 35,IPL Fig. 8) – cadmium plate (F-15.02) all external surfaces. Residual plating on the internal surfaces is allowed. Plating throw-in allowed in vent hole. Apply BMS 10-11, type 1 primer (F-20.02) on all external surfaces except on the threads. No primer on coupling areas of shear tube (29,IPL Fig. 2). Apply MIL-C-11796, class 1 corrosion preventive compound (F-19.03) on interior surfaces only. Material: 15-5PH CRES, 180-200 ksi.
- B. Shear tube (35A,IPL Fig. 8) – Passive (F-17.25). Material: 15-5PH CRES, 180-200 ksi.

57-53-27

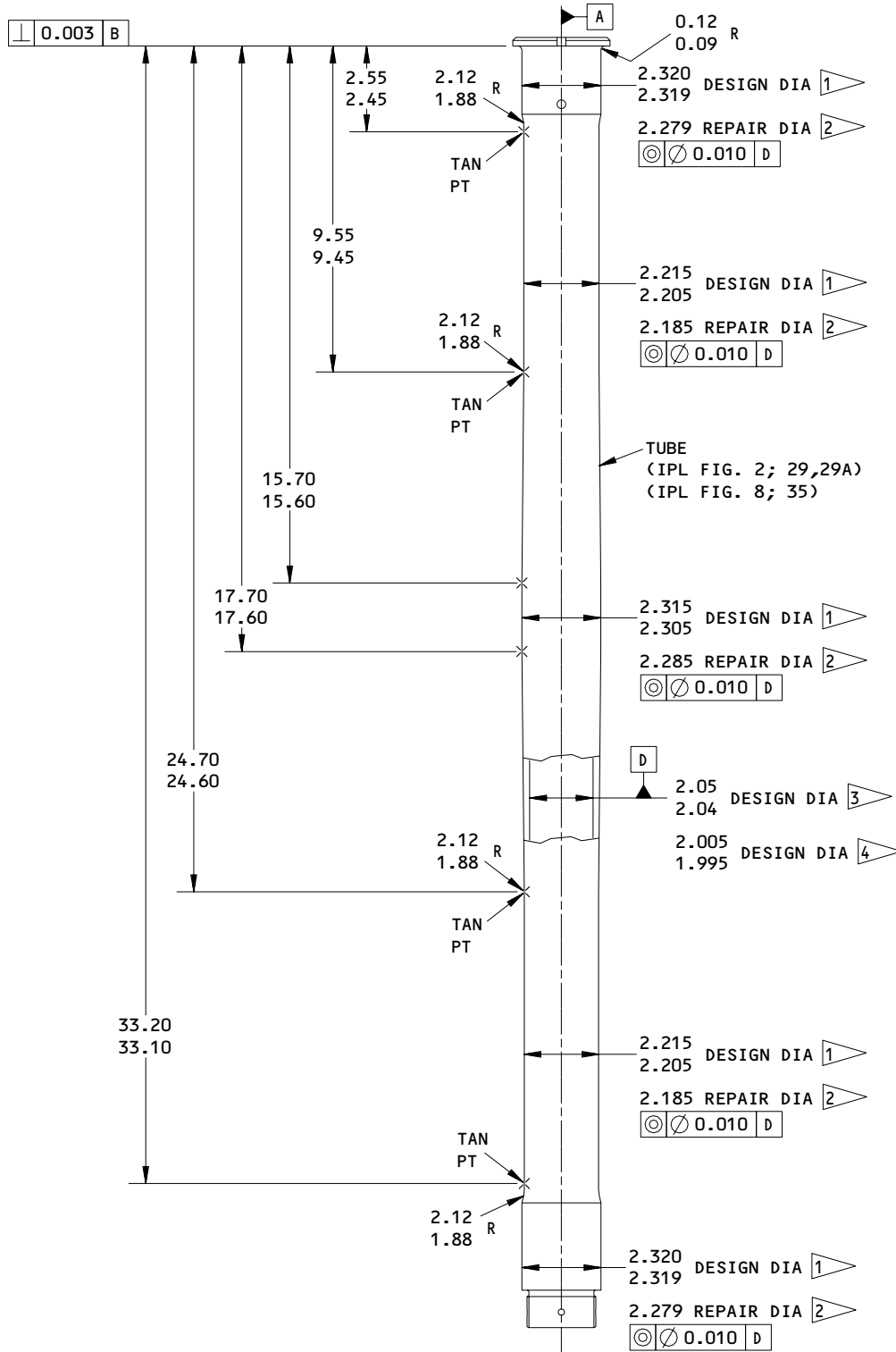
REPAIR 17-1

01.1

Page 601

Mar 01/05





113T2251-1,-3

113T2251-1,-3,-401  
 Shear Tube Repair  
 Figure 601 (Sheet 1)

**57-53-27**

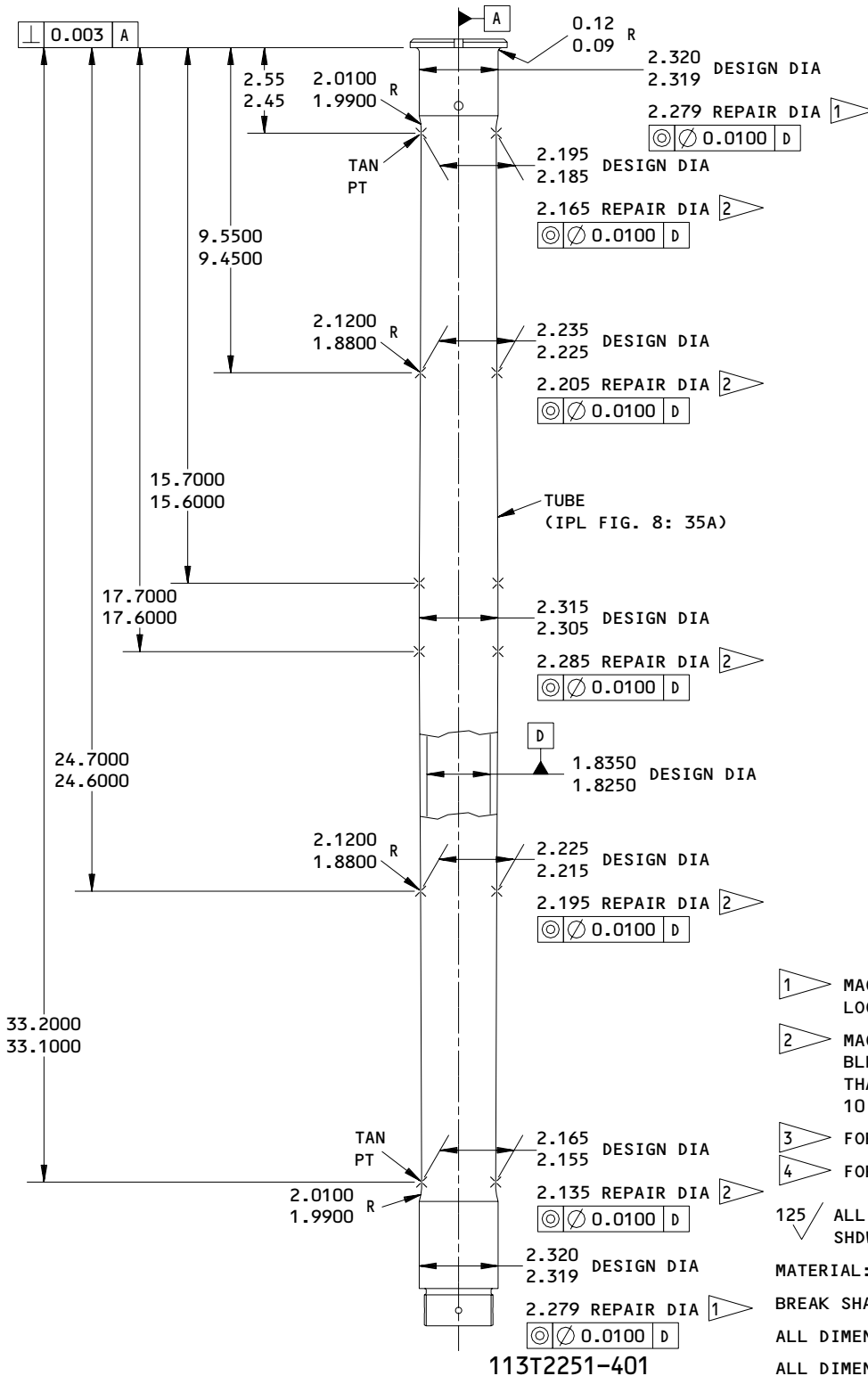
REPAIR 17-1

Page 602

Mar 01/05

01.1

**BOEING**  
**COMPONENT**  
**MAINTENANCE MANUAL**



- 1 ▷ MACHINE ENTIRE DIAMETER, LOCAL BLENDING NOT ALLOWED
  - 2 ▷ MACHINE ENTIRE DIAMETER OR BLEND LOCAL DAMAGE LESS THAN 0.020 INCH DEEP, USE A 10 TO 1 RATIO
  - 3 ▷ FOR 113T2251-1
  - 4 ▷ FOR 113T2251-3
  - 125 ✓ ALL MACHINED SURFACES UNLESS SHDWN DIFFERENTLY
- MATERIAL: 15-5PH CRES, 180-200 KSI  
 BREAK SHARP EDGES  
 ALL DIMENSIONS ARE IN INCHES  
 ALL DIMENSIONS ARE AFTER PLATING

113T2251-401  
 113T2251-1,-3,-401  
 Shear Tube Repair  
 Figure 601 (Sheet 2)

**57-53-27**  
 REPAIR 17-1  
 Page 603  
 Mar 01/05

01.1

1148511

ASSEMBLY1. Materials

NOTE: Equivalent substitutes can be used.

- A. Adhesive -- Type 60 (Ref 20-50-12)
- B. Corrosion Preventive compound -- MIL-C-16173, grade 2 (Ref 20-60-02)
- C. Corrosion Preventive compound -- MIL-C-11796, class 3 (Ref 20-60-02)
- D. Enamel -- BMS 10-11, type 2, BAC701 black (Ref 20-60-02)
- E. Grease -- MIL-G-23827 (Ref 20-60-03)  
-- MIL-G-21164 (Ref 20-60-03)
- F. Lockwire -- MS20995NC40, MS20995CN1-3, MS20995C32-2, or MS20995NC41
- G. Primer -- BMS 10-11, type 1 (Ref 20-60-02)
- H. Sealant -- BMS 5-95 (Ref 20-60-04)
- I. Corrosion Inhibiting Compound -- BMS 3-27 (Ref 20-60-02) or BMS 3-38 (opt to BMS 3-27) (Ref 20-60-02)

2. Assembly (IPL Fig. 1)

- A. Use standard industry practices on these steps.
- B. Torque box assembly (IPL Fig. 2).
  - (1) Installation of rib assemblies (52, 52A, 53, 53A, 285, 285A, 286, 286A, 341, 341A, 343, 343A, 391, 391A, 393, 393A, 465, 467, IPL Fig. 2; 80, 83, 212, 215, 305, 308, 392, 395, IPL Fig. 8).
    - (a) Apply faying surface seal of BMS 5-95 sealant between the following sets of ribs:
      - 1) Ribs (99, 103, IPL Fig. 2; 155, 161, IPL Fig. 8)
      - 2) Ribs (101, 105, IPL Fig. 2; 158, 164, IPL Fig. 8)

**57-53-27**
 ASSEMBLY  
 Page 701  
 Jul 01/03

01.1

- 3) Ribs (325, 327, IPL Fig. 2; 278, 284, IPL Fig. 8)
  - 4) Ribs (326, 329, IPL Fig. 2; 281, 287, IPL Fig. 8)
  - 5) Ribs (453, 457, IPL Fig. 2; 488, 494, IPL Fig. 8)
  - 6) Ribs (455, 459, IPL Fig. 2; 491, 497, IPL Fig. 8)
- (b) Delaminate the following shims, as required, such that maximum unshimmed gap between ribs and contacting structures is 0.005 inch prior to fastener installation.
- 1) Shims (67 thru 80, IPL Fig. 2; 125-143, IPL Fig. 8)
  - 2) Shims (303 thru 311, IPL Fig. 2; 242-254, IPL Fig. 8)
  - 3) Shims (365 thru 375, IPL Fig. 2; 344-359, IPL Fig. 8)
  - 4) Shims (425 thru 439, IPL Fig. 2; 449-470, IPL Fig. 8)
  - 5) Shims (485, 491 thru 495, IPL Fig. 2; 536, 545-551, IPL Fig. 8)
- (c) Apply BMS 10-11, type 1 primer to above shims and install wet or dry.
- (d) Delaminate shims (487, 489, IPL Fig. 2; 539, 542, IPL Fig. 8), as required, to achieve fair between spar installations (117, 119, 583, 585, IPL Fig. 2; 191, 194, 683, 686, IPL Fig. 8) and shims to within  $\pm 0.005$  inch.
- (e) Apply BMS 10-11, type 1 primer to shims (487, 489, IPL Fig. 2; 539, 542, IPL Fig. 8) and bond wet or dry to rib installation (465, 467, IPL Fig. 2; 506, 509, IPL Fig. 8) using BMS 5-95 sealant.
- (f) Solvent clean and apply BMS 10-11, type 1 primer to countersunk area of holes for the following bolts. After primer has dried, apply MIL-C-11796, class 3 corrosion preventive compound to all areas of holes and countersink and install bolts within 2 hours.
- 1) Bolts (65, 65G, 66, 66G, IPL Fig. 2; 116, 119, 122, IPL Fig. 8)
  - 2) Bolts (299, 301, IPL Fig. 2; 236, 239, IPL Fig. 8)
  - 3) Bolts (361, 363, IPL Fig. 2; 338, 341, IPL Fig. 8)
  - 4) Bolts (413, 415, IPL Fig. 2; 431, 434, IPL Fig. 8)

**57-53-27**

ASSEMBLY  
Page 702  
Jul 01/03

01.1


**BOEING**  
 COMPONENT  
 MAINTENANCE MANUAL

- 5) Bolt (479, 481, IPL Fig. 2; 527, 530, IPL Fig. 8)
- (g) Apply faying surface seal of BMS 5-95 sealant between rib installations (42, 43), 113T2230-1, -2 only, and all mating parts except where rib installation contacts lower panel assembly (749, 751).
- (h) Apply BMS 5-95 sealant to the following bolts and install wet.
  - 1) Bolts (54 thru 64, IPL Fig. 2; 86, 89, 92, 95, 98, 101, 104, 107, IPL Fig. 8)
  - 2) Bolts (289, 291, IPL Fig. 2; 221, 224, IPL Fig. 8)
  - 3) Bolts (345 thru 351, IPL Fig. 2; 314-323, IPL Fig. 8)
  - 4) Bolts (395 thru 403, IPL Fig. 2; 398-410, IPL Fig. 8)
  - 5) Bolts (473 thru 477, IPL Fig. 2; 518-524, IPL Fig. 8)
- (2) Installation of spar installation 117, 119 , IPL Fig. 2; 191, 194, IPL Fig. 8).
  - (a) Delaminate shims (255, 260, IPL Fig. 5) by removing 0.003 inch laminations, as required, such that maximum unshimmed gap between fitting (265, 270, IPL Fig. 5) and spar installation, prior to fastener installation, is 0.005 inch. Apply BMS 10-11, type 1 primer to shims and install wet or dry.
  - (b) Solvent clean and apply BMS 10-11, type 1 primer to countersunk area of holes for bolts (295, 340, 345, IPL Fig. 5). After primer has dried, apply MIL-C-11796, class 3 corrosion preventive compound to all area of holes and countersink and install bolts within 2 hours.
  - (c) Apply BMS 5-95 sealant to bolts (220, 330 thru 345, IPL Fig. 5) and install wet.
- (3) Installation of spar installation (583, 585 , IPL Fig. 2; 683, 685, IPL Fig. 8).
  - (a) Delaminate the following shims, as required, by removing 0.003 inch laminations such that maximum unshimmed gap between shimmed parts, prior to fastener installation, is 0.005 inch.
    - 1) Shim (667) between fitting (657, 659) and spar installation (583, 585).
    - 2) Shim (759) between doubler assembly (808, 810) and spar installation (583, 585).

# 57-53-27

ASSEMBLY  
 Page 703  
 Jul 01/03

01.1

- (b) Apply BMS 10-11, type 1 primer to shims above and install wet or dry.
  - (c) Solvent clean and apply BMS 10-11, type 1 primer to countersunk area of holes for bolts (675, 693A, 701). After primer has dried, apply MIL-C-11796, class 3 corrosion preventive compound to all areas of holes and countersink and install bolts within 2 hours.
  - (d) Apply BMS 5-95 sealant to bolts (665, 690, 691, 692, 705) and install wet.
- (4) Installation of leading edge installation (753, 753A, 755, 755A , IPL Fig. 2, 1, 5, IPL Fig. 9).
- (a) Delaminate shims (768, 783, 798, 813, 844, 859, 874, 890, 910, 920, 934, 951, 971, IPL Fig. 2; 40, 190, 240, 290, IPL Fig. 9) such that maximum unshimmed gap between ribs and spar installation, prior to fastener installation, is 0.005 inch. Apply BMS 10-11, type 1 primer to shims and install wet or dry.
  - (b) Solvent clean and apply BMS 10-11, type 1 primer to countersunk area of holes for bolts (767A, 782A, 797A, 812A, 843A, 858A, 873A, 888A, 909A, 919A, 933A, 949A, 969A , IPL Fig. 2; 35, 185, 235, 285). After primer has dried, apply MIL-C-11796, class 3 corrosion preventive compound to all areas of hole and countersink and install bolts within 2 hours.
  - (c) Mismatch between leading edge installation (753, 753A, 755, 755A, IPL Fig. 2; 1, 5, IPL Fig. 9) and upper and lower panel assemblies (745, 747, 749, 751 , IPL Fig. 2; 893, 896, 899, 902, IPL Fig. 8) shall be  $\pm 0.010$  inch. If necessary to meet mismatch requirements shave leading edge skin at a taper ratio of 20:1 minimum and maintain a surface roughness of 125 microinch. Chemically treat reworked areas to meet the requirements of MIL-C-5541.
- (5) For mismatch requirements between rib installations and spar installations, see Fig. 701. If mismatch is greater than 0.005 inch, fabricate shim per Fig. 701, view A-A.

**57-53-27**

ASSEMBLY  
Page 704  
Mar 01/04

01.101

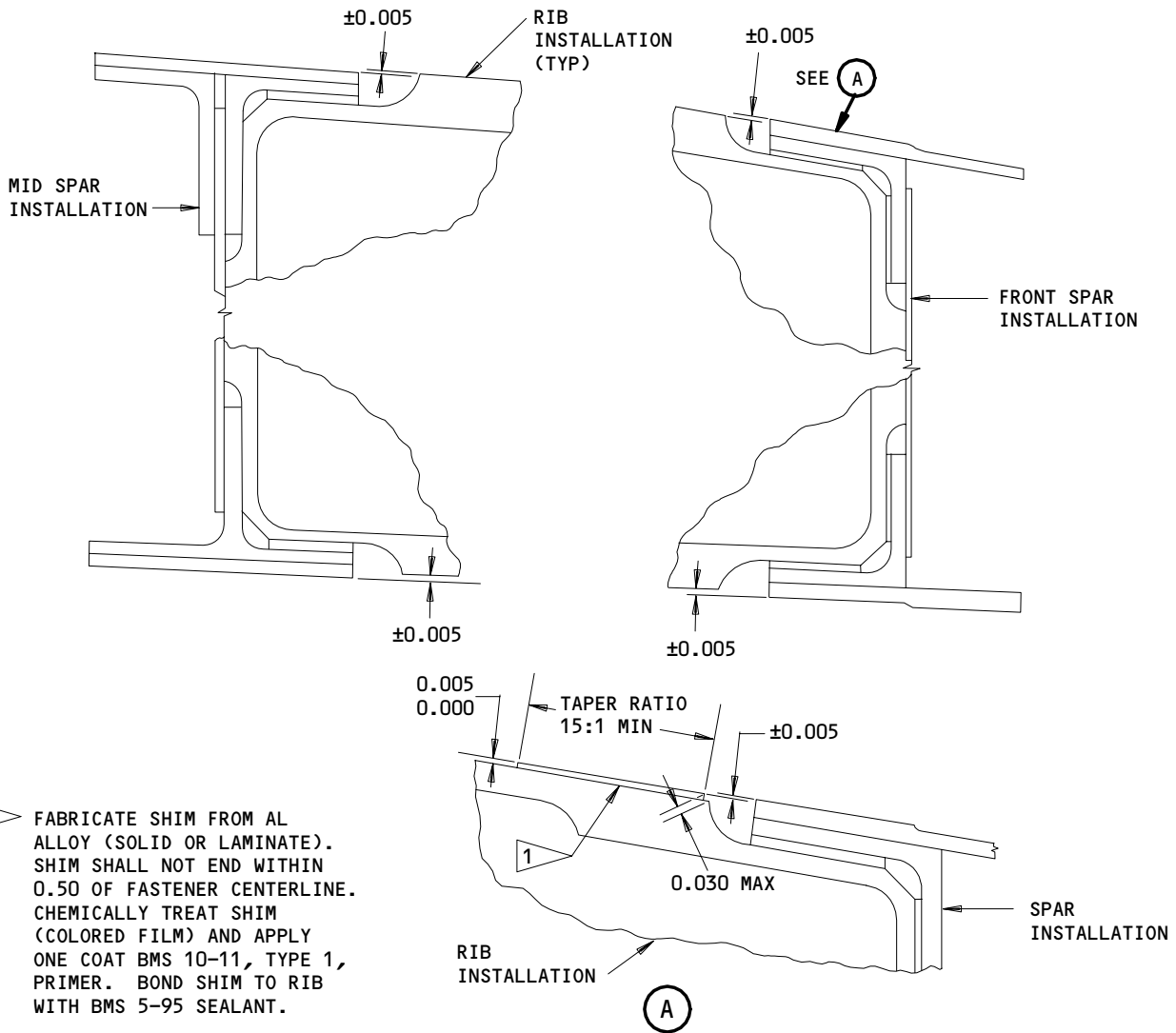
**BOEING**  
COMPONENT  
MAINTENANCE MANUAL

**CAUTION:** BUSHING ASSEMBLY (17A, IPL FIG. 2, 20, IPL FIG. 8) IS COMPRISED OF A MATCHED SET OF SPLINES WHICH MUST BE KEPT TOGETHER.

- (6) Apply a liberal coat of BMS 3-27 corrosion inhibiting compound to hole for bushing (17A, IPL Fig. 2; 20, IPL Fig. 8) and mating surfaces of bushing (17A, IPL Fig. 2; 20, IPL Fig. 8) to fill all voids prior to installation of bushing (17A, IPL Fig. 2; 20, IPL Fig. 8). Wipe off excess BMS 3-27 with clean dry cloth after installation.
- (7) Apply a liberal coating of BMS 3-27 corrosion inhibiting compound to the mating surfaces between shim (21, IPL Fig. 2) and rib, between shim (21, IPL Fig. 2) and bushing (17A, IPL Fig. 2; 20, IPL Fig. 8), and between shim (21, 22, IPL Fig. 2) and side load fitting (15B, 15K, 15N, 16, IPL Fig. 2).
- (8) Apply BMS 3-27 corrosion inhibiting compound to bolt (7A , IPL Fig. 2; 8, IPL Fig. 8) threads prior to nut installation. Install nut (13, IPL Fig. 2, 17, IPL FIG. 8) to a torque of 660-980 inch-pounds. Wipe off excess BMS 3-27 corrosion inhibiting compound with clean dry cloth after installation.

**57-53-27**ASSEMBLY  
Page 705  
Mar 01/04

01.1



1 FABRICATE SHIM FROM AL ALLOY (SOLID OR LAMINATE). SHIM SHALL NOT END WITHIN 0.50 OF FASTENER CENTERLINE. CHEMICALLY TREAT SHIM (COLORED FILM) AND APPLY ONE COAT BMS 10-11, TYPE 1, PRIMER. BOND SHIM TO RIB WITH BMS 5-95 SEALANT.

(TYPICAL ON UPPER SURFACE)  
 Mismatch Requirements  
 Figure 701

ALL DIMENSIONS  
 ARE IN INCHES

- (9) Coat all surfaces of seal (25, 25A, IPL Fig. 2; 29, 29A, IPL Fig. 8) and mating surfaces of bushing (17A, IPL Fig. 2; 20, IPL Fig. 8) with BMS 3-27 corrosion inhibiting compound to fill all voids prior to installation of seal (25, 25A, IPL Fig. 2; 29, 29A, IPL Fig. 8). Install with expander oriented as shown in Fig. 702.
- (10) Coat external surface of seal (23, 23A, IPL Fig. 2, 26, 26A, IPL Fig. 8) or internal surface of bushing (17A, IPL Fig. 2; 20, IPL Fig. 8) with BMS 3-27 corrosion inhibiting compound to fill all voids prior to installation of seal (23, 23A, IPL Fig. 2; 26, 26A, IPL Fig. 8). Install seal oriented as shown in Fig. 702.

**57-53-27**

ASSEMBLY  
 Page 706  
 Mar 01/04

01.101

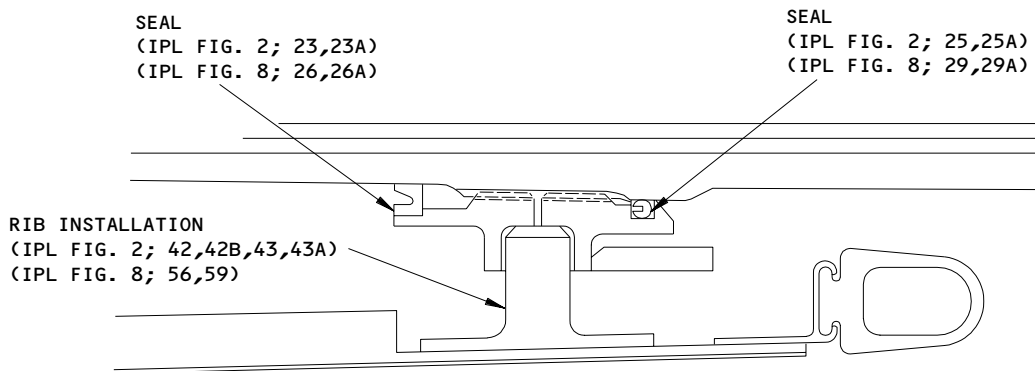
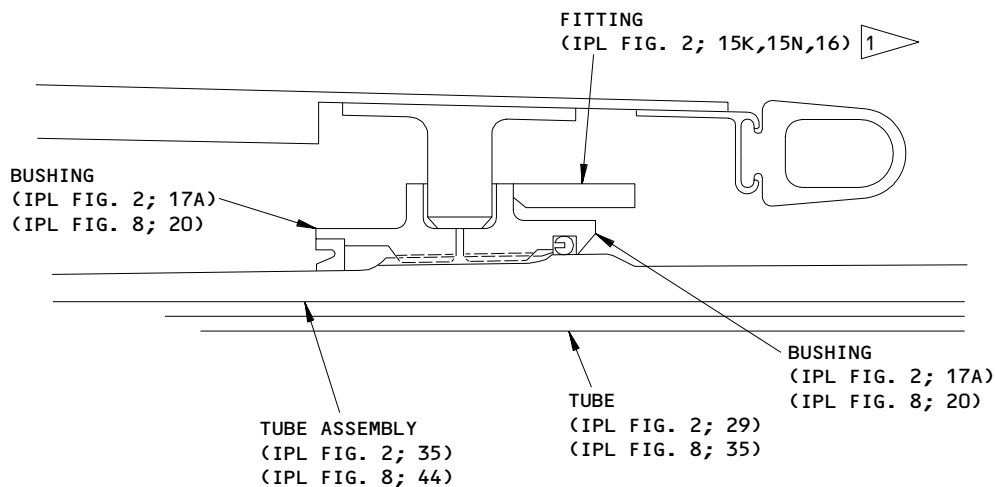


**BOEING**  
COMPONENT  
MAINTENANCE MANUAL

- (11) Installation of tube (29, IPL Fig. 2; 35, IPL Fig. 8).
- (a) Apply a liberal coat of BMS 3-27 corrosion inhibiting compound to ID of bushings (37, 39, IPL Fig. 2; 47, 50, IPL Fig. 8) and mating OD of tube (29, IPL Fig. 2; 35, IPL Fig. 8) prior to installation of tube (29, IPL Fig. 2; 35, IPL Fig. 8). Wipe off excess BMS 3-27 corrosion inhibiting compound with clean dry cloth after installation.
  - (b) Install tube (29, IPL Fig. 2; 35, IPL Fig. 8) into tube assembly (35, IPL Fig. 2; 44, IPL Fig. 8). If required, a force of 50 pounds may be applied to inboard end of tube (29, IPL Fig. 2; 35, IPL Fig. 8) in any direction perpendicular to tube axis to facilitate insertion of tube through bushings (37, 39, IPL Fig. 2; 47, 50, IPL Fig. 8).
- (12) Installation of tube assembly (35, IPL Fig. 2; 44, IPL Fig. 8)
- (a) Apply a liberal coat of BMS 3-27 corrosion inhibiting compound to ID of bushing (324G, IPL Fig. 2; 275, IPL Fig. 8), mating OD of tube assembly (35, IPL Fig. 2; 44, IPL Fig. 8), splines and internal surfaces of bushing (17A, IPL Fig. 2; 20, IPL Fig. 8) and mating splines of tube assembly (35, IPL Fig. 2, 44, IPL Fig. 8) to fill all voids prior to installation of tube assembly (35, IPL Fig. 2; 44, IPL Fig. 8). Wipe off excess BMS 3-27 with clean dry cloth after installation.

**57-53-27**ASSEMBLY  
Page 707  
Mar 01/04

01.101



1 FOR IPL FIG. 2; 5E THRU 6K

Installation of Seals  
 Figure 702

**57-53-27**

ASSEMBLY  
 Page 708  
 Jul 01/03

01.101


**BOEING**  
 COMPONENT  
 MAINTENANCE MANUAL

- (b) Install tube assembly (35, IPL Fig. 2; 44, IPL Fig. 8) through bushings (17A, 324G, IPL Fig. 2; 20, 275, IPL Fig. 8). If required a force of 50 pounds may be applied to outboard end of tube assembly, in any direction perpendicular to tube assembly axis to facilitate insertion of tube assembly through bushings.
- (13) Apply BMS 3-27 corrosion inhibiting compound to threads on end of tube (29, IPL Fig. 2; 35, IPL Fig. 8) prior to nut installation. Install washer (31, IPL Fig. 2, 38, IPL Fig. 8) and nut (33, IPL Fig. 2; 41, IPL Fig. 8 ). Tighten nut (33, IPL Fig. 2; 41, IPL Fig. 8) to a torque of 500-600 inch-pounds. Back nut off to align castellation with hole in tube and install cotter pin (27, IPL Fig. 2; 32, IPL Fig. 8). Wipe off excess BMS 3-27 corrosion inhibiting compound with clean dry cloth after installation.
- C. Assembly of flap assembly (IPL Fig. 1, Fig. 6, Fig. 7).
- (1) Installation of rib installations (353, 355, 735, 736, 757, 759, 813, 815, 863, 864, IPL Fig. 1; 349, 351, 665, 667, 703, 705, 759, 761, 809, 811, IPL Fig. 6; 350, 352, 666, 668, 706, 708, 762, 764, 812, IPL Fig. 7; 56, 59, 197, 200, 299, 302, 377A, 380A, 506, 509, IPL Fig. 8).
- (a) Apply faying surface seal of BMS 5-95 sealant between rib installation (735, 736, IPL Fig. 1), 113T2230-3, -4 only, and all mating parts except where rib installation contacts lower panel assembly (951, 953, IPL Fig. 1; 893, 895, IPL Fig. 6).
- (b) Delaminate the following shims, as required, such that maximum unshimmed gap between ribs and contacting structure is 0.005 inch prior to fastener installation.
- 1) Shims (369, 415, IPL Fig. 1; 388, 409, IPL Fig. 6; 366, 408, IPL Fig. 7; 536 - 551, IPL Fig. 8)
  - 2) Shims (743 thru 748, IPL Fig. 1; 679 thru 689, IPL Fig. 6; 682-692, IPL Fig. 7; 125-143, IPL Fig. 8)
  - 3) Shims (787 thru 795, IPL Fig. 1; 729 thru 737, IPL Fig. 6; 736-744, IPL Fig. 7; 242-254, IPL Fig. 8)
  - 4) Shims (833 thru 849, IPL Fig. 1; 775 thru 791, IPL Fig. 6; 782-798, IPL Fig. 7; 344-359, IPL Fig. 8)
  - 5) Shims (887 thru 901, IPL Fig. 1; 859 thru 873, IPL Fig. 6; 846-860; IPL Fig. 7; 449-470, IPL Fig. 8)
- (c) Apply BMS 10-11, type 1 primer to above shims and install wet or dry.

57-53-27

 ASSEMBLY  
 Page 709  
 Mar 01/04

01.101

- (d) Delaminate shims (411, 413, IPL Fig. 1; 411, 413, IPL Fig. 6; 404, 406, IPL Fig. 7; 539, 542, IPL Fig. 8 ), as required, to achieve fair between spar installation (117, 119, IPL Fig. 2; 191, 194, IPL Fig. 8) and shims and between fitting assembly (357, 358, 359, 360, IPL Fig. 1; 361, 363, IPL Fig. 6; 354, 356, IPL Fig. 7) and shims to within  $\pm 0.005$  inch.
- (e) Apply BMS 10-11, type 1 primer to shims (411, 413, IPL Fig. 1, 411, 413, IPL Fig. 6; 404, 406, IPL Fig. 7; 539, 542, IPL Fig. 8) and bond wet or dry to rib installation (353, 355, IPL Fig. 1; 349, 351, IPL Fig. 6; 350, 352, IPL Fig. 7; 506, 509, IPL Fig. 8) using BMS 5-95 sealant.
- (f) Solvent clean and apply BMS 10-11, type 1 primer to countersunk area of holes for the following bolts. After primer has dried, apply MIL-C-11796, class 3 corrosion preventive compound to all areas of holes and countersink and install bolts within 2 hours.
- 1) Bolts (365, 367, 401, 403, IPL Fig. 1; 369, 371, 393, 395, IPL Fig. 6; 362, 364, 392, 394, IPL Fig. 7; 527, 530, IPL Fig. 8)
  - 2) Bolt (737, 737G, 738, 738G, IPL Fig. 1; 669, 671, IPL Fig. 6; 670, 672, IPL Fig. 7; 116, 119, 122, IPL Fig. 8)
  - 3) Bolts (771, 773, IPL Fig. 1; 713, 715, IPL Fig. 6; 720, 722, IPL Fig. 7; 236, 239, IPL Fig. 8)
  - 4) Bolts (821, 823, IPL Fig. 1; 763 765, IPL Fig. 6; 770, 772, IPL Fig. 7; 431, 434, IPL Fig. 8)
  - 5) Bolts (871, 877, IPL Fig. 1; 825, 831, IPL Fig. 6; 828, 829, IPL Fig. 7; 338, 341, IPL Fig. 8)
- (g) Apply BMS 5-95 sealant to the following bolts and install wet.
- 1) Bolts (361, 363, 397, 399, IPL Fig. 1; 365, 367, 389, 391, IPL Fig. 6; 358, 360, 388, 390, IPL Fig. 7; 512, 518, 521, 524, IPL Fig. 8)
  - 2) Bolts (739 thru 742, IPL Fig. 1; 676, 673, 675, 677, IPL Fig. 6; 674, 676, 678, 680, IPL Fig. 7; 86, 89, 92, 95, IPL Fig. 8)
  - 3) Bolts (765 thru 769, IPL Fig. 1; 707, 709, 711, IPL Fig. 6; 714, 716, 718, IPL Fig. 7; 218, 221, 224, IPL Fig. 8)
  - 4) Bolts (825 thru 831, IPL Fig. 1; 767, 769, 771, 773, IPL Fig. 6; 774, 776, 778, 780, IPL Fig. 7; 314, 317, 320, 323, IPL Fig. 8)

**57-53-27**

ASSEMBLY

01.1

Page 710

Jul 01/03

**BOEING**  
COMPONENT  
MAINTENANCE MANUAL

- 5) Bolts (879 thru 885, IPL Fig. 1; 833, 835, 837, 839, IPL Fig. 6; 836, 838, 840, 842, 844, IPL Fig. 7; 398, 401, 404, 407, 410, IPL Fig. 8)
- (2) Apply BMS 5-95 sealant to bolts (339, IPL Fig. 1; 340, IPL Fig. 7); (8 thru 25, 55 thru 80, 105, 135, 110 thru 125, 195, 215, 220, 275 thru 265, 300, 305, 345 thru 335, 365 thru 400, IPL Fig. 4; 339, IPL Fig. 6) and install wet.
- (3) Installation of frangible assembly (55, 56, IPL Fig. 1; 39, 41, IPL Fig. 6; 40, 42, IPL Fig. 7)
- (a) Delaminate shims (58A, 59, 60, IPL Fig. 1; 53, 55, 57, IPL Fig. 6; 46A, 48A, 50A, 51, IPL Fig. 7), as required, by removing 0.003 inch laminations such that maximum unshimmed gap between frangible assembly and contacting structure, prior to fastener installation, is 0.010 inch. Apply BMS 10-11, type 1 primer to shims and install wet.
- (b) Maximum allowable mismatch between frangible assembly and contacting structure shall be 0.010 inch.
- (c) Fill all chordwise and spanwise skin gaps with BMS 5-95 sealant.
- (d) Solvent clean and apply BMS 10-11, type 1 primer to countersunk area of holes for bolt (57, IPL Fig. 1; 43, IPL Fig. 6; 44, IPL Fig. 7). After primer has dried, apply MIL-C-11796, class 3 corrosion preventive compound to all areas of holes and countersinks and install bolts within 2 hours.
- (4) All countersunk fasteners on the exterior surface of flap shall be flush with surface to within the following limits.
- (a) Aluminum alloy rivets +0.007 to -0.000 inch.
- (b) Hi-locks +0.005 to -0.010 inch.
- (c) Screws and bolts +0.005 to -0.010 inch.
- (5) Maximum allowable mismatch between all exterior panels to be 0.010 inch. Fill all chordwise and spanwise skin gaps with BMS 5-95 sealant.

**57-53-27**ASSEMBLY  
Page 711  
Jul 01/03

01.1

- (6) Installation of fitting assemblies (447, 448, 449, 450, IPL Fig. 1; 445, 447, IPL Fig. 6; 444, 446, IPL Fig. 7).
  - (a) Delaminate shims (461, IPL Fig. 1; 473, IPL Fig. 6; 458A, IPL Fig. 7), as required, by removing 0.003 inch laminations such that maximum unshimmed gap between fitting assembly and panel installation (688, 689, IPL Fig. 1; 527, 529, IPL Fig. 6; 534, 536, IPL Fig. 7) is 0.005 inch. Apply BMS 10-11, type 1 primer to shim and install wet.
  - (b) Delaminate shim (459, IPL Fig. 1; 471, IPL Fig. 6; 456A, IPL Fig. 7), as required, by removing 0.003 inch laminations such that maximum unshimmed gap between fitting assembly and panel installation (664, 665, IPL Fig. 1; 479, 481, IPL Fig. 6; 478, 480, IPL Fig. 7) is 0.010 inch. Apply BMS 10-11, type 1 primer to shim and install wet.
  - (c) Apply BMS 5-95 sealant to bolts (453 thru 457, IPL Fig. 1, 451, 453, 455, IPL Fig. 6; 450, 452, 454, IPL Fig. 7) and install wet.
- (7) Installation of track assemblies (87, 89, 125, 127, IPL Fig. 1; 81, 83, 121, 123, IPL Fig. 6; 82, 84, 120, 122, IPL Fig. 7).
  - (a) Coat entire mating surfaces of bolts (73, 75, 111, 113, IPL Fig. 1; 67, 69, 107, 109, IPL Fig. 6; 68, 70, 106, 108, IPL Fig. 7) also OD and ID of bushings (81, 83, 119, 121, IPL Fig. 1; 75, 77, 115, 117, IPL Fig. 6; 76, 78, 114, 116, IPL Fig. 7) with MIL-G-23827 grease.
  - (b) Delaminate shims (67, 105, IPL Fig. 1; 61, 99, IPL Fig. 6; 62, 100, IPL Fig. 7), as required, by removing 0.003 inch laminations such that maximum unshimmed gap between stops (71, 109, IPL Fig. 1; 65, 103, IPL Fig. 6; 66, 104, IPL Fig. 7) and track assemblies, prior to fastener installation, is 0.005 inch. Apply one coat of BMS 10-11, type 1 primer to shim.
  - (c) Bond shims (67, 105, IPL Fig. 1; 61, 99, IPL Fig. 6; 62, 100, IPL Fig. 7) to track assemblies, after delamination and finishing, using BMS 5-95 sealant.
  - (d) Install bolts (65, 103, IPL Fig. 1; 59, 97, IPL Fig. 6; 60, 98, IPL Fig. 7) and lockwire to stops (71, 109, IPL Fig. 1; 65, 103, IPL Fig. 6; 66, 204, IPL Fig. 7) respectively using MS20995C32-2
- (8) Installation of fitting assembly (209, 210, IPL Fig. 1; 211, IPL Fig. 6).
  - (a) Install shim (240, IPL Fig. 4) same thickness as removed. Apply one coat of BMS 10-11, type 1 primer to shim and install.

**57-53-27**

ASSEMBLY  
Page 712  
Jul 01/03

01.1


**BOEING**  
 COMPONENT  
 MAINTENANCE MANUAL

- (b) Apply BMS 5-95 sealant to bolts (211 thru 219, IPL Fig. 1; 213, 215, 217, 219, 221, IPL Fig. 6; 210 thru 218, IPL Fig. 7) and install wet.
  - (c) Install shim (228, IPL Fig. 1; 253, IPL Fig. 6; 228, IPL Fig. 7) after final adjustment of fitting assembly. Use 1-3 shims as required such that maximum unshimmed gap between fitting assembly and panel installation (688, 689, IPL Fig. 1; 527, 529, IPL Fig. 6; 534, 536, IPL Fig. 7), prior to fastener installation, is 0.010 inch. Apply BMS 10-11, type 1 primer to shim and install wet or dry.
  - (d) Trim excess seal material, from seals (707G, 707J, 707L, 707N, 707Q, 723, 724, IPL Fig. 1; 581, 583, 585, 587, 589, 633, 635, IPL Fig. 6; 588, 590, 592, 594, 636, IPL Fig. 7), to within 0.05 inch.
  - (e) Final adjustment of seals (707G, 707J, 707L, 707N, 707Q, 723, 724, IPL Fig. 1; 581, 583, 585, 587, 589, 633, 365, IPL Fig. 6; 588, 590, 592, 594, 636, IPL Fig. 7 ) will be made in CMM 57-53-21.
- (9) Installation of fitting assembly (285A, 286, 287A, 288, IPL Fig. 1; 289, 291, IPL Fig. 6; 290, 292, IPL Fig. 7).
- (a) Install shims (297, 299, IPL Fig. 1; 333, 335, IPL Fig. 6; 302, 304, IPL Fig. 7) same thickness as removed. Apply BMS 10-11, type 1 primer to shims and install wet.

**CAUTION:** FITTING ASSEMBLIES [(303A, 307A), (303A, 310), (305A, 309A), AND (305A, 310G), IPL Fig. 1] [(303, 307), (305, 309), IPL Fig. 6] [(308, 312), (308A, 312A), (308B, 312B), (308C, 312C), (310, 314), (310A, 314A), (310B, 314B), (310C, 314C), IPL Fig. 7] COMPROMISE MATCHED SETS AND MUST BE KEPT TOGETHER.

- (b) Install fitting assemblies [(303A, 307A), (303A, 310), (305A, 309A), (305A, 310G), IPL Fig. 1] [(303, 307), (305, 309), IPL Fig. 6] [(308, 312), (308A, 312A), (310, 314), (310A, 314A), IPL Fig. 7] as shown in Fig. 703. If required, a force of 5 pound applied either inboard or outboard may be used to meet dimensional requirements.
- (c) Apply BMS 5-95 sealant to bolts (289, 291, IPL Fig. 1, 293, 295, IPL Fig. 6; 294, 296, IPL Fig. 7) and install.

# 57-53-27

ASSEMBLY  
 Page 713  
 Mar 01/04

01.1

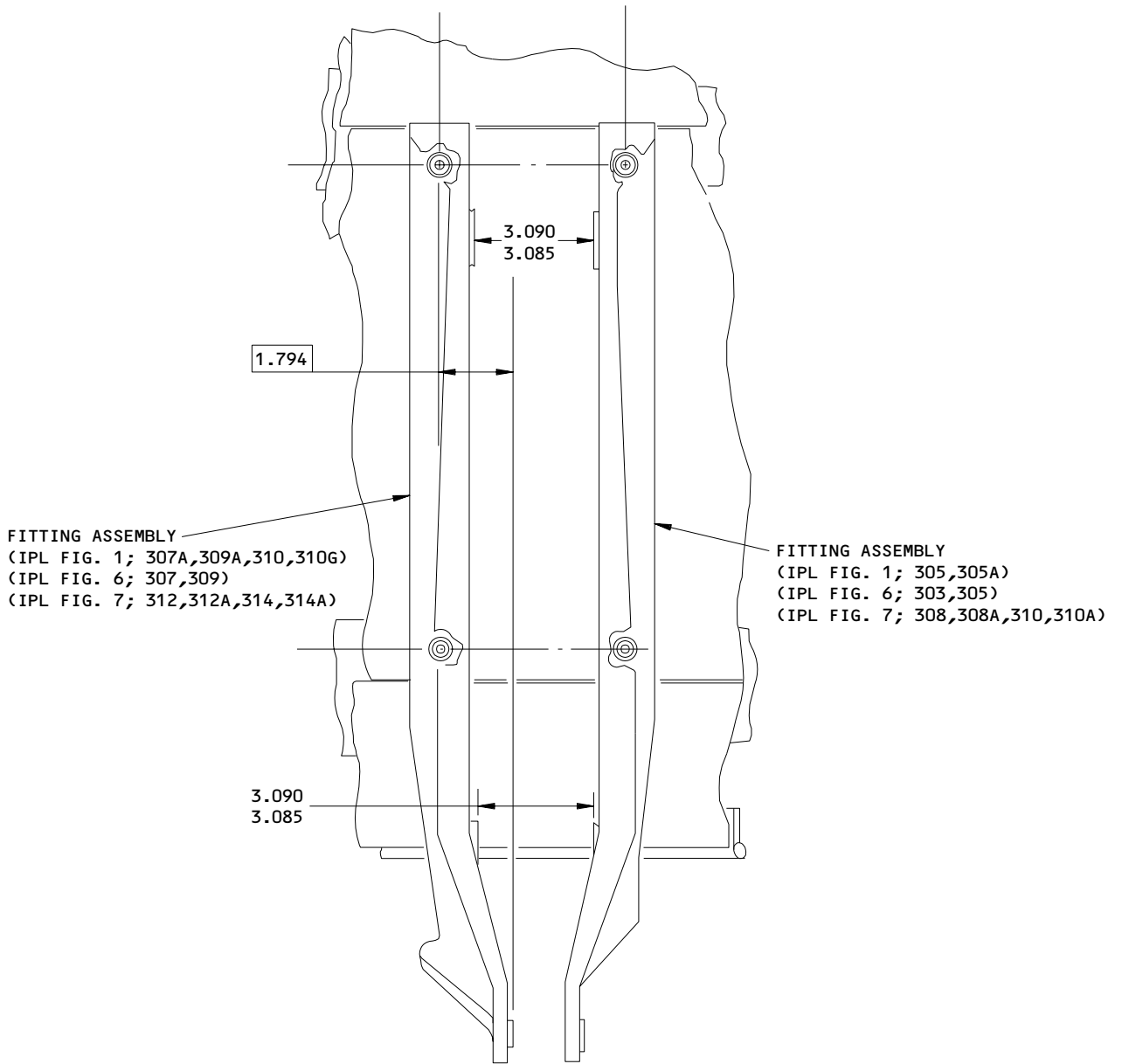
- (10) Installation of bellcrank assembly (187, 189, IPL Fig. 1; 189, 191, IPL Fig. 6; 186, 188, IPL Fig. 7).
  - (a) Install support assembly (429, 431, IPL Fig. 1; 425, 427, IPL Fig. 6; 424, 426, IPL Fig. 7) as follows.
    - 1) Apply BMS 5-95 sealant to bolt (433, IPL Fig. 1 429, IPL Fig. 6; 428, IPL Fig. 7) and install wet.
  - (b) Lubricate threads of bolt (177, IPL Fig. 1; 177, IPL Fig. 6; 174, IPL Fig. 7) with MIL-G-23827 grease prior to installing nut (185, IPL Fig. 1; 187, IPL Fig. 6; 184, IPL Fig. 7).
  - (c) Tighten nut (185, IPL Fig. 1; 187, IPL Fig. 6; 184, IPL Fig. 7) to a torque of 240-300 pound-inches.
  - (d) Lockwire nut (185, IPL Fig. 1; 187, IPL Fig. 6; 184, IPL Fig. 7) to washer (179, IPL Fig. 1; 179, IPL Fig. 6; 176, IPL Fig. 7) using MS20995NC41.
  - (e) Lubricate lube fitting (203, 204, IPL Fig. 1; 205, IPL Fig. 6; 202, IPL Fig. 7) with MIL-G-21164 grease within 72 hours of assembly.
- (11) Assembly and installation of strut assembly (263, IPL Fig. 1; 265, IPL Fig. 6; 266, IPL Fig. 7).
  - (a) Install insert (281, IPL Fig. 1; 285, IPL Fig. 6; 286, IPL Fig. 7) covering external threaded area completely with BMS 5-95 sealant.

**57-53-27**

ASSEMBLY  
Page 714  
Jul 01/03

01.1





Fitting Assembly Installation  
 Figure 703

**57-53-27**

ASSEMBLY  
 Page 715  
 Jul 01/03

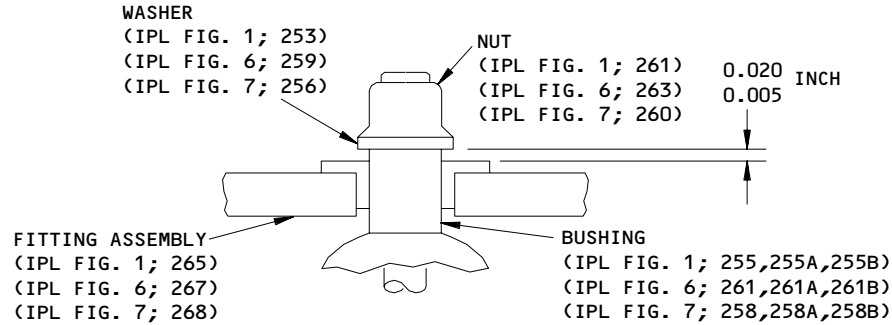
01.1

- (b) Apply BMS 5-95 sealant to bolt (277, IPL Fig. 1; 281, IPL Fig. 6; 282, IPL Fig. 7) and install wet.
  - (c) Apply MIL-C-16173, grade 2 corrosion preventive compound to threads of fitting assembly (265, IPL Fig. 1; 267, IPL Fig. 6; 286, IPL Fig. 7) and install.
  - (d) Coat entire mating surfaces of bolt (249, IPL Fig. 1; 255, IPL Fig. 6; 252, IPL Fig. 7) and OD and ID of bushing (255, IPL Fig. 1; 261, IPL Fig. 6; 270, IPL Fig. 7) with MIL-G-23827 grease.
  - (e) Use either bushing (255, 255A, or 255B, IPL Fig. 1; 261, 261A, 261B, IPL Fig. 6; 258, 258A, 258B, IPL Fig. 7) as to achieve dimension shown on Fig. 704.
- (12) Installation of rod assembly (163, IPL Fig. 1; 161, IPL Fig. 6; 160, IPL Fig. 7).
- (a) Coat entire mating surface of bolt (153B, IPL Fig. 1; 151, IPL Fig. 6; 150, IPL Fig. 7) and OD and ID of bushing (159, IPL Fig. 1; 157, IPL Fig. 6; 156, IPL Fig. 7) with MIL-G-23827 grease.
  - (b) Set rod assembly (163, IPL Fig. 1, 161, IPL Fig. 6; 160, IPL Fig. 7) to a preliminary length of 72.30 inches. For final rigging requirements see CMM 57-53-21.
- (13) Install link assembly (151B, IPL Fig. 1; 147, IPL Fig. 6; 146, IPL Fig. 7) coating entire mating surface of bolt (141) and OD and ID of bushing (147, IPL Fig. 1; 143, IPL Fig. 6; 142, IPL Fig. 7) with MIL-G-23827 grease.
- (14) Temporarily secure bellcrank assemblies (187, 189, IPL Fig. 1; 189, 191, IPL Fig. 6; 186, 188, IPL Fig. 7), strut assembly (263, IPL Fig. 1; 265, IPL Fig. 6; 266, IPL Fig. 7), link assembly (151B, IPL Fig. 1; 147, IPL Fig. 6; 146, IPL Fig. 7), and rod assembly (163, IPL Fig. 1; 167, IPL Fig. 6; 160, IPL Fig. 7) to adjacent fixed structure to avoid damage during shipment.
- (15) A minimum of 3 washers (8, IPL Fig. 1; 29, IPL Fig. 6; 8 IPL Fig. 7) shall be provided for subsequent installation adjustment requirements.

**57-53-27**

ASSEMBLY  
Page 716  
Jul 01/03

01.1


**BOEING**  
 COMPONENT  
 MAINTENANCE MANUAL


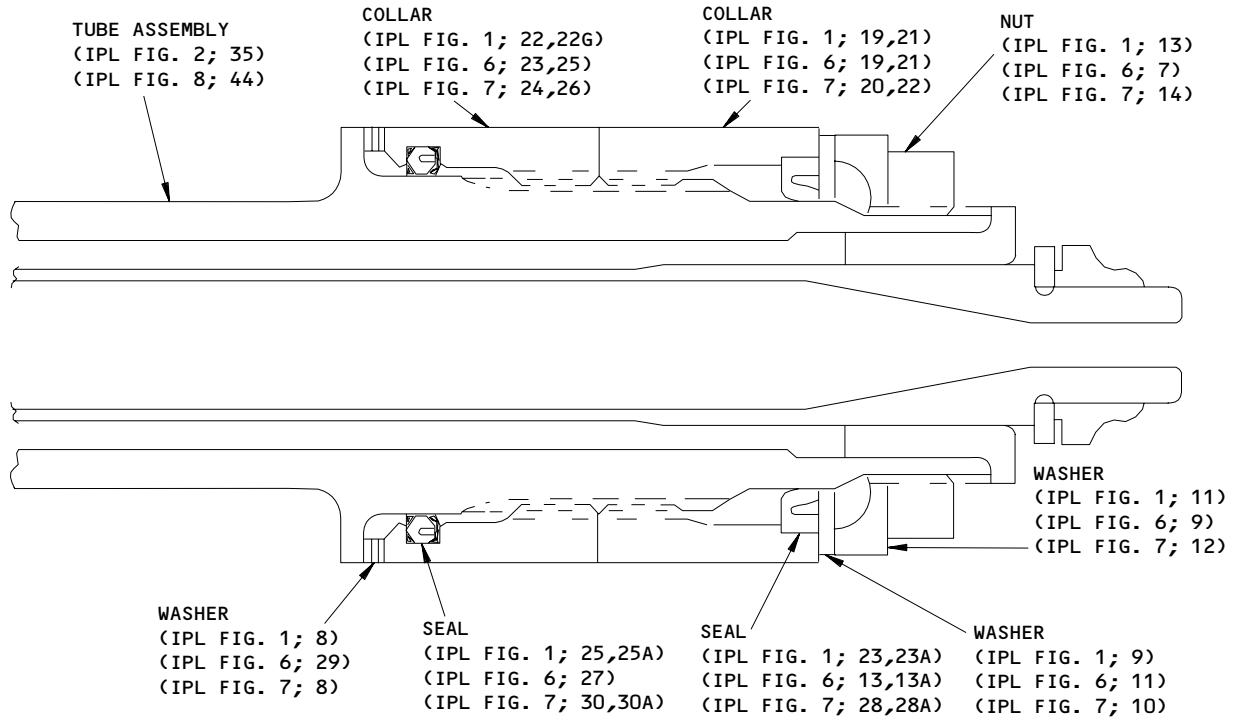
Bushing Installation  
 Figure 704

- 6837
- (16) Coat all surfaces of seal (25, 25A, IPL Fig. 1; 27, IPL Fig. 6; 30, IPL Fig. 7) and mating surfaces of collar (15A, 17A, IPL Fig. 1; 15, 17, IPL Fig. 6; 16, 18, IPL Fig. 7) with BMS 3-27 corrosion inhibiting compound to fill all voids prior to installation of seal. Install with expander oriented as shown in Fig. 705.
  - (17) Apply a liberal coat of BMS 3-27 corrosion inhibiting compound to the mating surfaces of the collars (19, 21, 22, 22G, IPL Fig. 1; 19, 21, 23, 25, IPL Fig. 6; 20, 22, 24, 26, IPL Fig. 7) to produce a continuous squeeze out along split line of collars. Apply a liberal coat of BMS 3-27 corrosion inhibiting compound to internal splines of collar (15A, 17A, IPL Fig. 1; 15, 17, IPL Fig. 6; 16, 18, IPL Fig. 7) and mating splines of tube assembly (35, IPL Fig. 2; 14, IPL Fig. 7) to fill all voids prior to installation of collar. Wipe off squeeze out and excess BMS 3-27 corrosion inhibiting compound with clean dry cloth after installation.
  - (18) Coat external surface of seal (23, 23A, IPL Fig. 1; 13, 13A, IPL Fig. 6; 28, 28A, IPL Fig. 7) and internal surface of collar (15A, 17A, IPL Fig. 1; 15, 17, IPL Fig. 6) with BMS 3-27 corrosion inhibiting compound to fill all voids prior to installation of seal. Install seal oriented as shown in Fig. 705.
  - (19) Apply BMS 3-27 corrosion inhibiting compound to end of tube assembly (35, IPL Fig. 2; 44, IPL Fig. 8) prior to nut installation. Install washer (9, 11, IPL Fig. 1; 9, 11, IPL Fig. 6) and nut (13, IPL Fig. 1; 7, IPL Fig. 6; 14, IPL Fig. 7). Tighten nut to a torque of 720-840 pound-inches. Wipe off excess BMS 3-27 corrosion inhibiting compound with clean dry cloth after installation.
  - (20) Lockwire nut (13, IPL Fig. 1; 7, IPL Fig. 6; 14, IPL Fig. 7) to washer (11, IPL Fig. 1; 9, IPL Fig. 6; 12, IPL Fig. 7) as shown in Fig. 706 using MS20995C41-3.
  - (21) Apply BMS 10-11, type 1 primer to all areas of holes and countersinks for bolts (937, 963, IPL Fig. 1; 881, 899, IPL Fig. 6; 888, IPL Fig. 7) and let dry. Apply MIL-C-11796, class 3 corrosion preventive compound and install bolts immediately.

# 57-53-27

ASSEMBLY  
 Page 717  
 Jul 01/03

01.1



Installation of Seals  
 Figure 705

- (22) If needed re-stencil identification number on door assembly (933, IPL Fig.1; 879, IPL Fig. 6; 886, IPL Fig. 7) using BMS 10-11, type 2 enamel, BAC701 black, in half inch high characters as follows:
- (a) 555JT for left hand
  - (b) 655JT for right hand
- (23) If needed re-stencil identification number on door assembly (955, IPL Fig. 1; 897, IPL Fig. 6; 904, IPL Fig. 7) using BMS 10-11, type 2 enamel, BAC701 black, in half inch high characters as shown in Fig. 707.
- (24) Installation of identification plate (979, IPL Fig. 1; 911, IPL Fig. 6; 918, IPL Fig. 7) is shown in CMM 57-53-21.

6838

**BOEING**  
COMPONENT  
MAINTENANCE MANUAL

- (25) Installation of fitting assembly (513,515, IPL Fig. 2; 578,581, IPL Fig. 8).
  - (a) Apply one coat of BMS 10-11, Type 1 primer to shim (523, IPL Fig. 2; 593, IPL Fig. 8).
  - (b) Install fitting assembly (513,515, IPL Fig. 2; 578,581, IPL Fig. 8), shim (523, IPL Fig. 2; 593, IPL Fig. 8) and filler (525, IPL Fig. 2; 596, IPL Fig. 8) using bolt (517, IPL Fig. 2; 599, IPL Fig. 8), washer (519,521, IPL Fig. 2; 587,590, IPL Fig. 8) and nut (527, IPL Fig. 2; 599, IPL Fig. 8).
  - (c) Torque nut (527, IPL Fig. 2; 599, IPL Fig. 8) to 200-250 pound-inches.

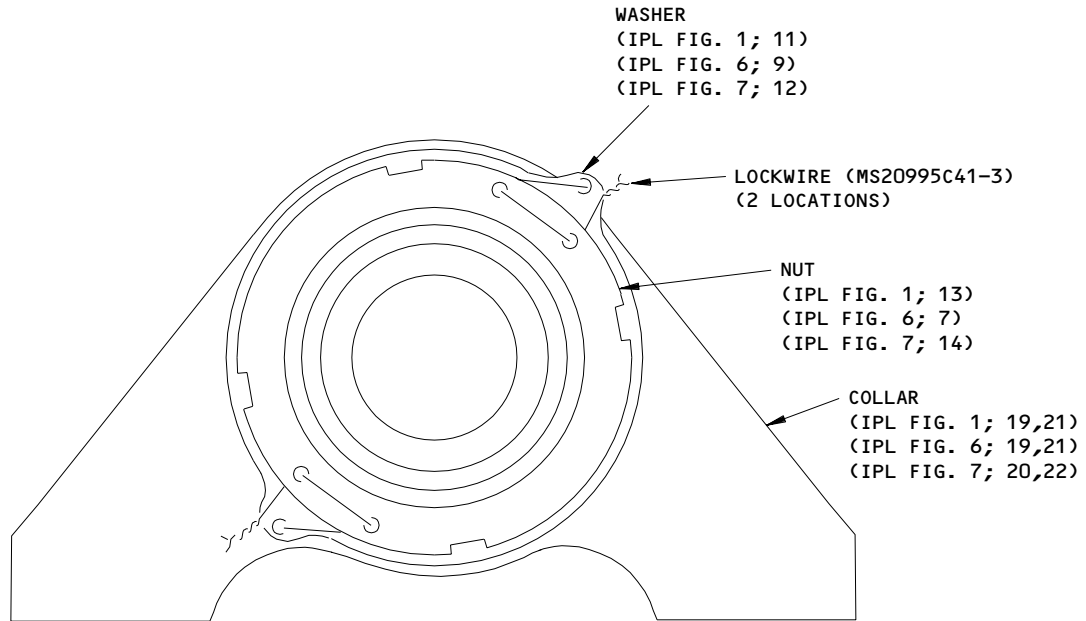
NOTE: Final bolt sealant application and torque should be accomplished during flap assembly installation.

D. Assembly and installation of seal installations (IPL Fig. 3).

- (1) Solvent clean and apply BMS 10-11, type 1 primer to countersunk area of holes for bolts (30, 75, 120, 180, 230, 275). After primer has dried apply MIL-C-11796, class 3 corrosion preventive compound to all areas of holes and countersinks and install bolts within 2 hours.
- (2) Install plug (220) flush with both ends of seal (175) to within  $\pm 0.010$  inch, and bond in place per 20-50-12, type 60.

**57-53-27**ASSEMBLY  
Page 719  
Jul 01/04

01.1



Installation of Lockwire  
Figure 706

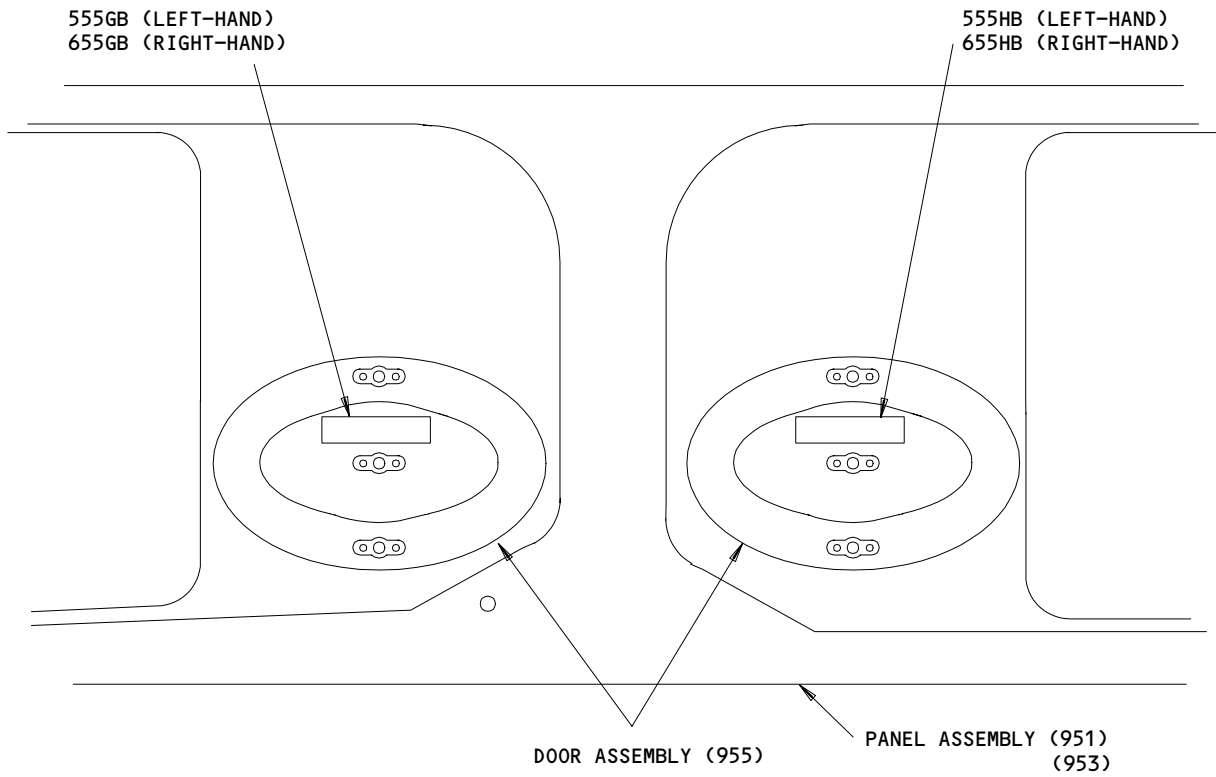
- (3) Lockwire seals (20, 25, 70, 110, 115, 225, 270), except plugged ends of seals (110, 115) to retainers using MS20995NC40. Leave a pigtail of 0.25-0.50 inch with 3-6 twists. Pigtail is to be bent back along the retainer to prevent snagging.

6839

**57-53-27**

ASSEMBLY  
Page 720  
Jul 01/04

01.101



Marking of Door Assembly  
Figure 707

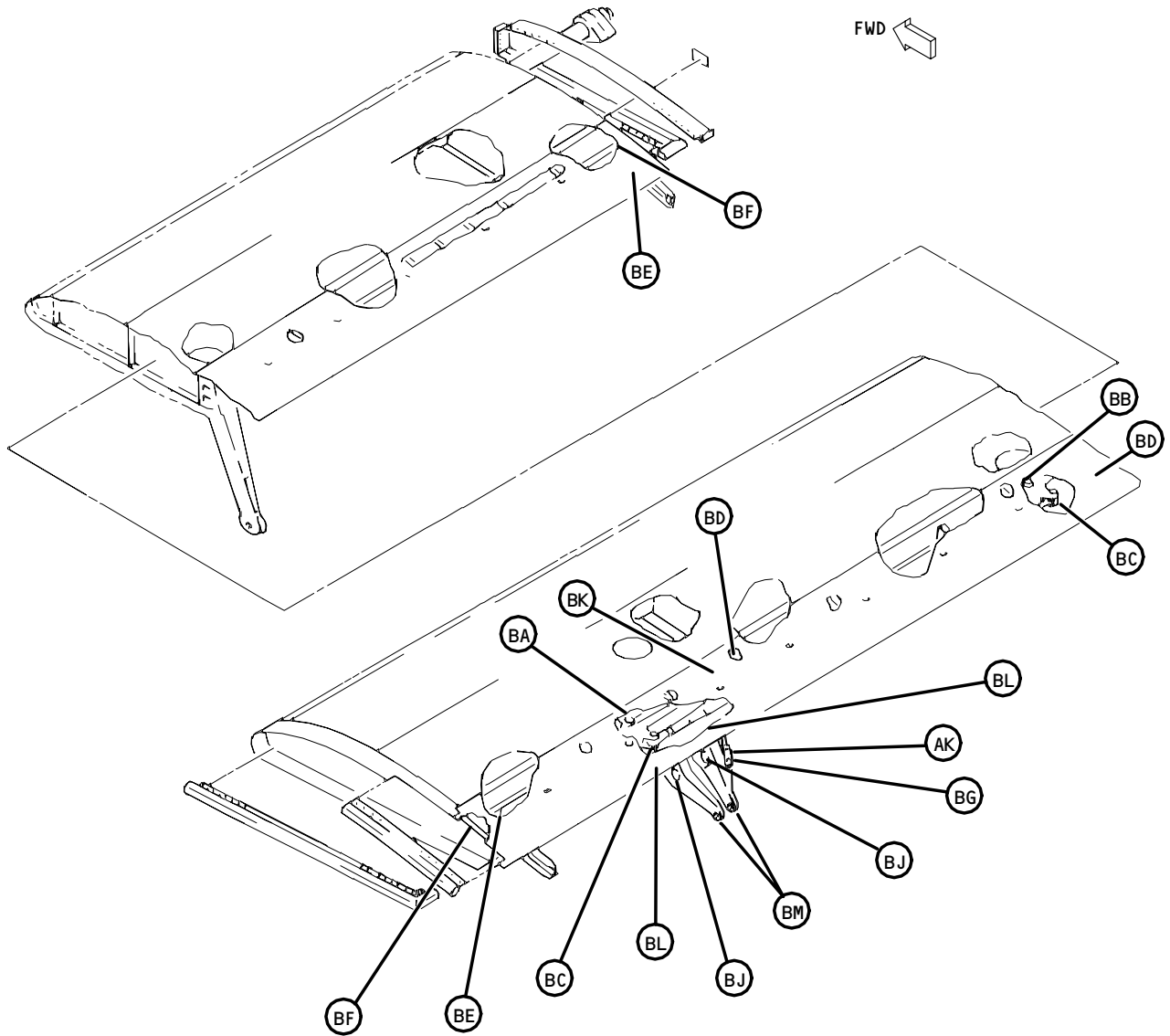
6840

**57-53-27**

01.101

ASSEMBLY  
Page 721  
Jul 01/04

**BOEING**  
COMPONENT  
MAINTENANCE MANUAL  
FITS AND CLEARANCES

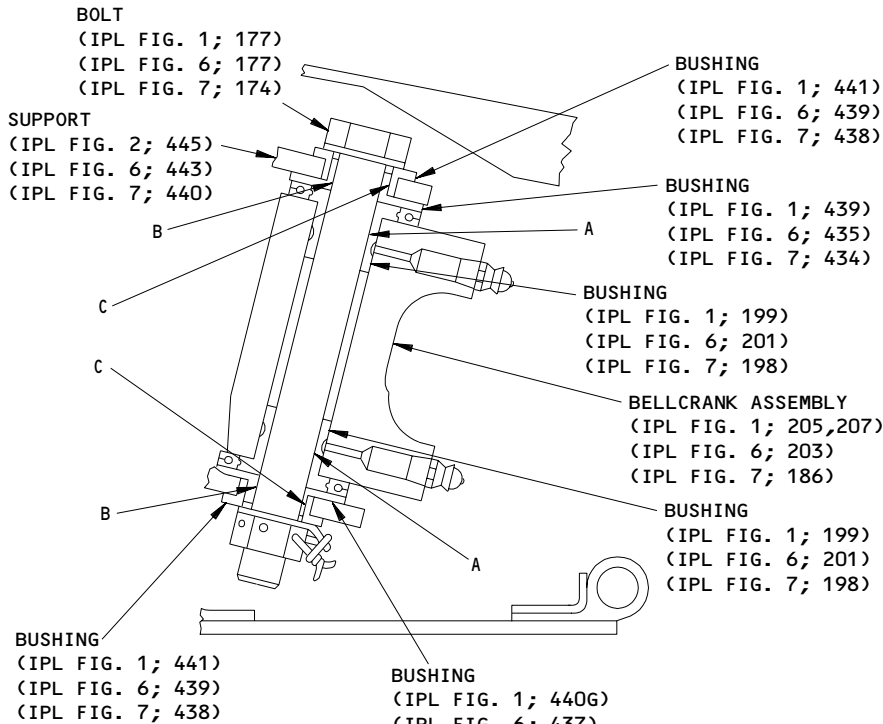


Fits and Clearances  
Figure 801 (Sheet 1)

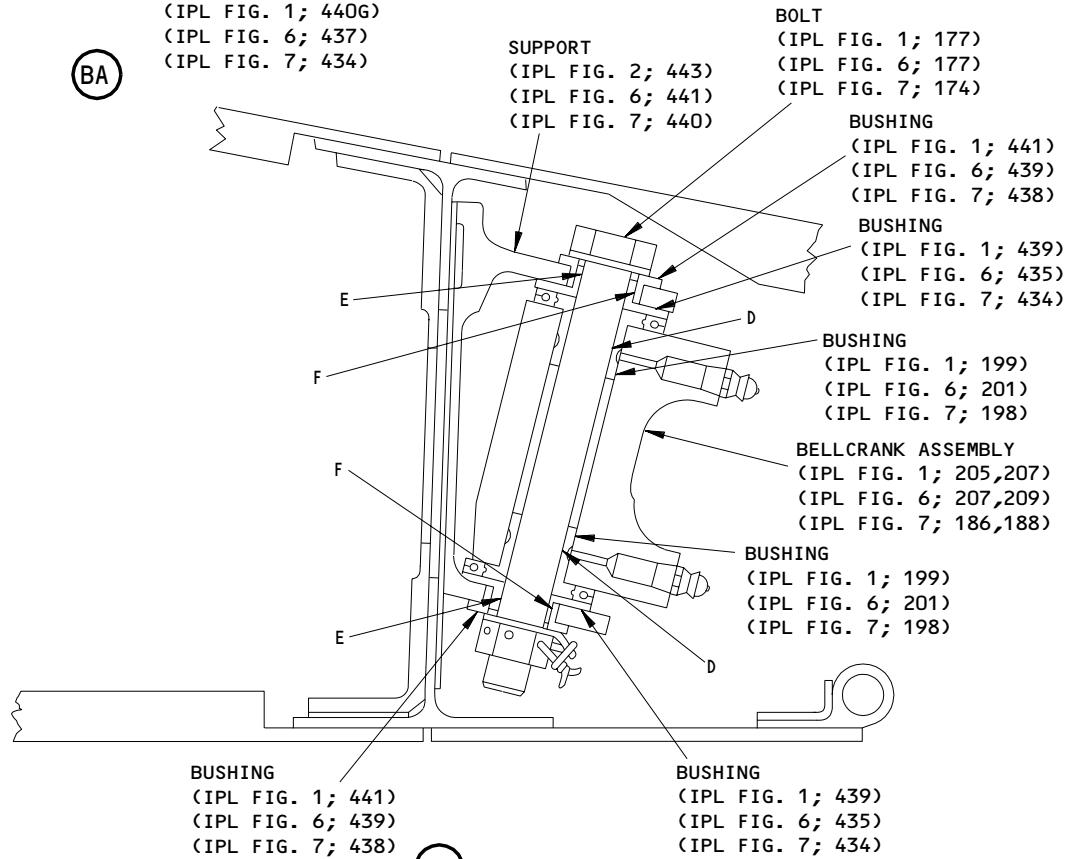
**57-53-27**

FITS AND CLEARANCES  
01 Page 801  
Oct 01/87





BA

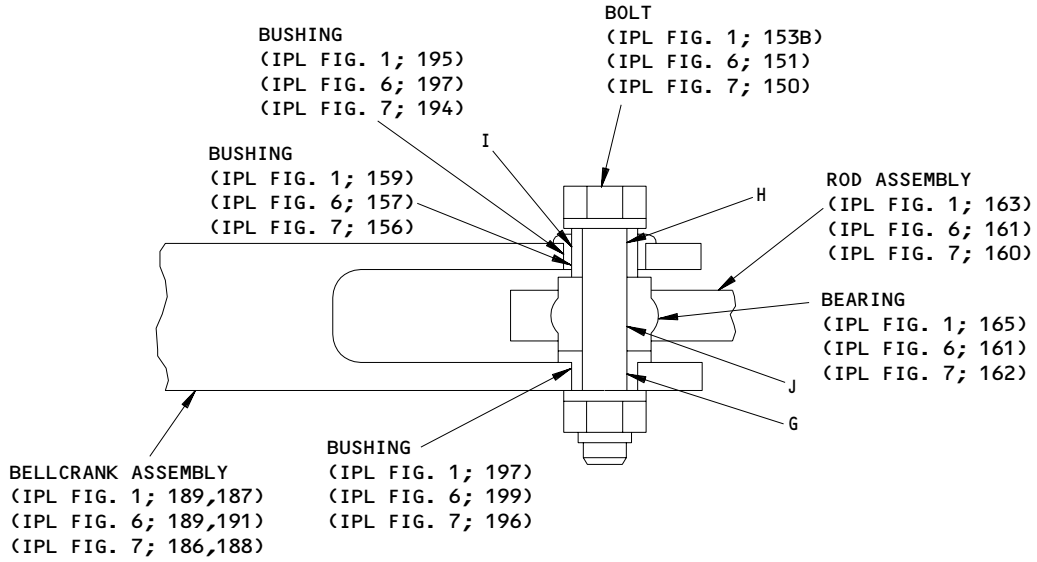


BB

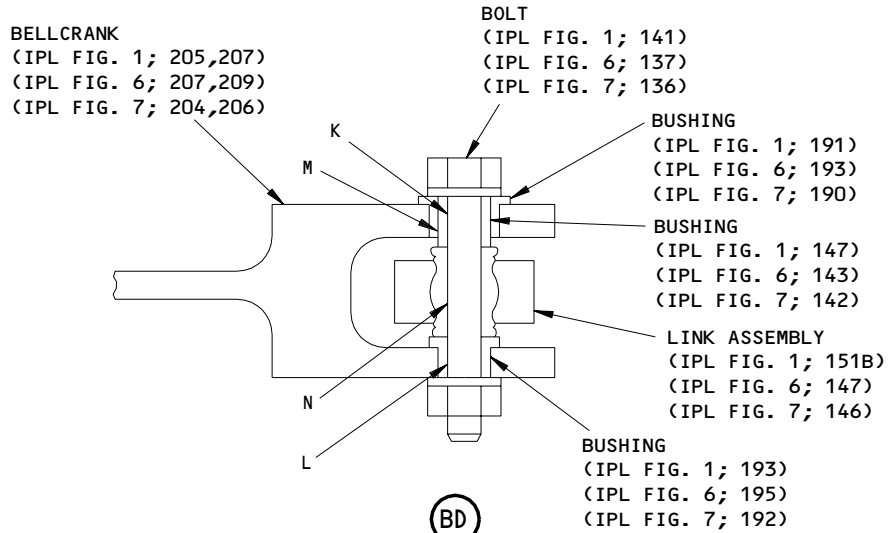
**Fits and Clearances  
 Figure 801 (Sheet 2)**

**57-53-27**

**BOEING**  
**COMPONENT**  
**MAINTENANCE MANUAL**



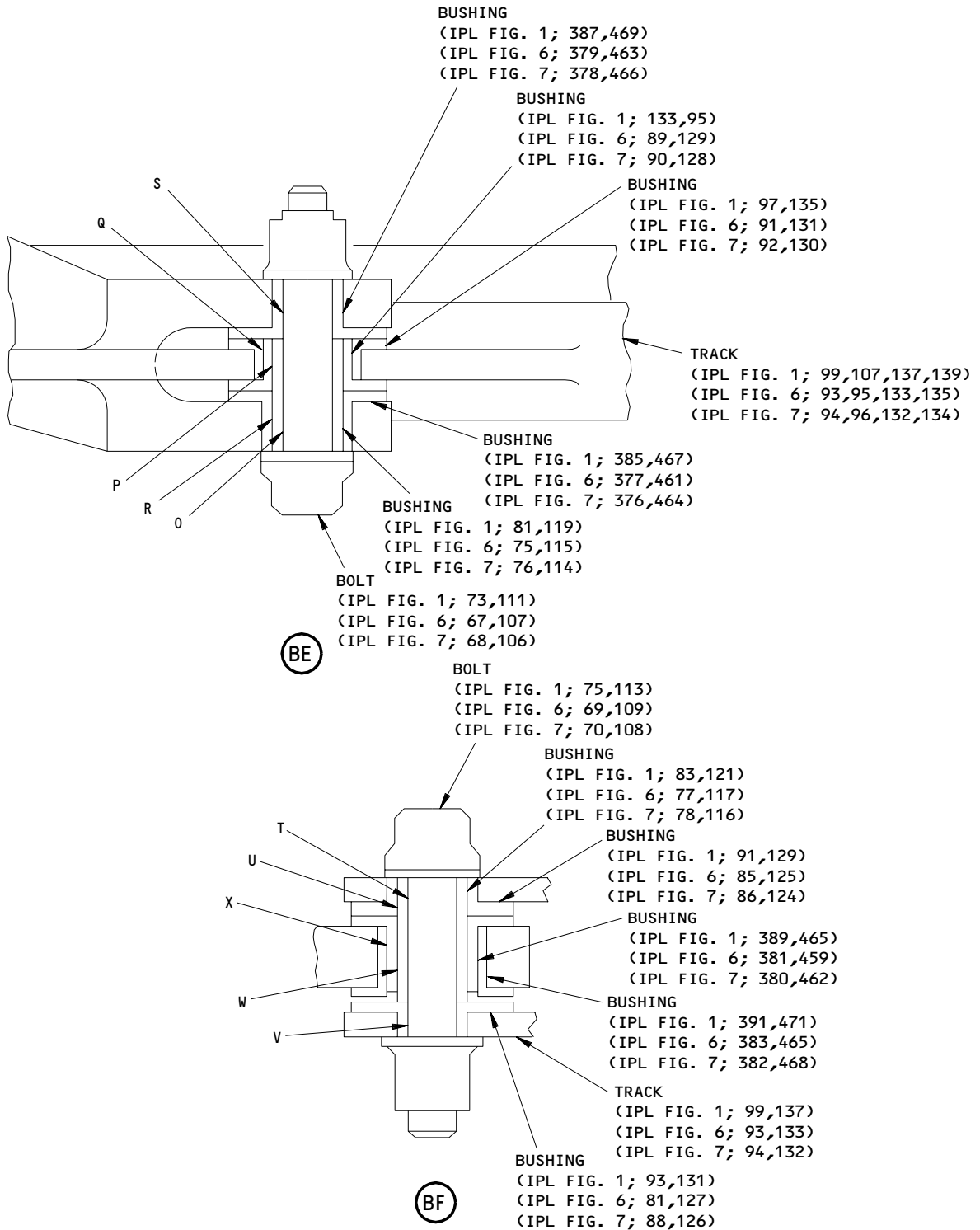
(BC)



(BD)

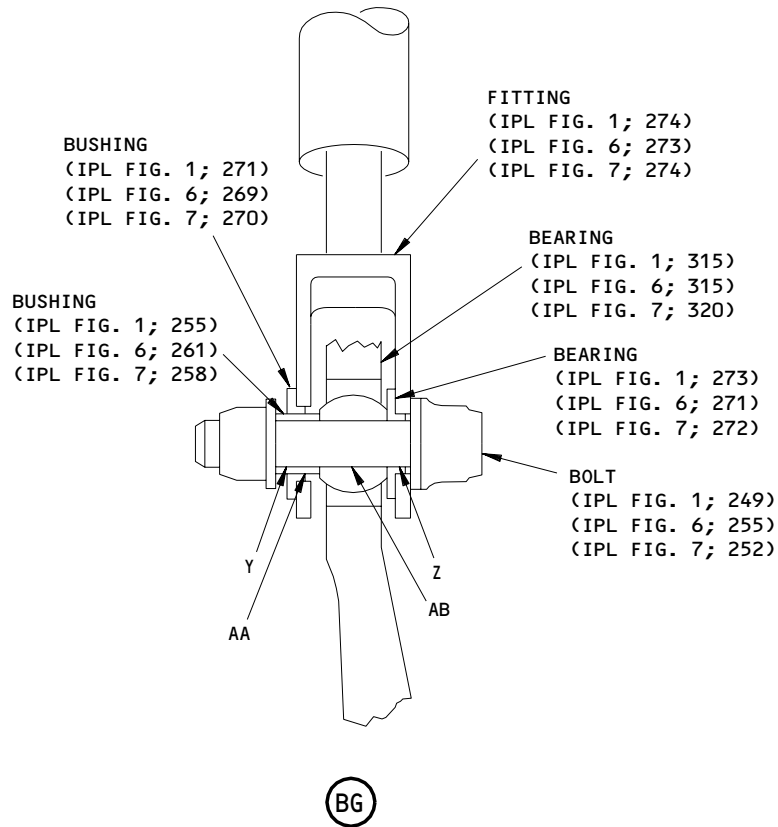
Fits and Clearances  
 Figure 801 (Sheet 3)

57-53-27



**Fits and Clearances  
 Figure 801 (Sheet 4)**

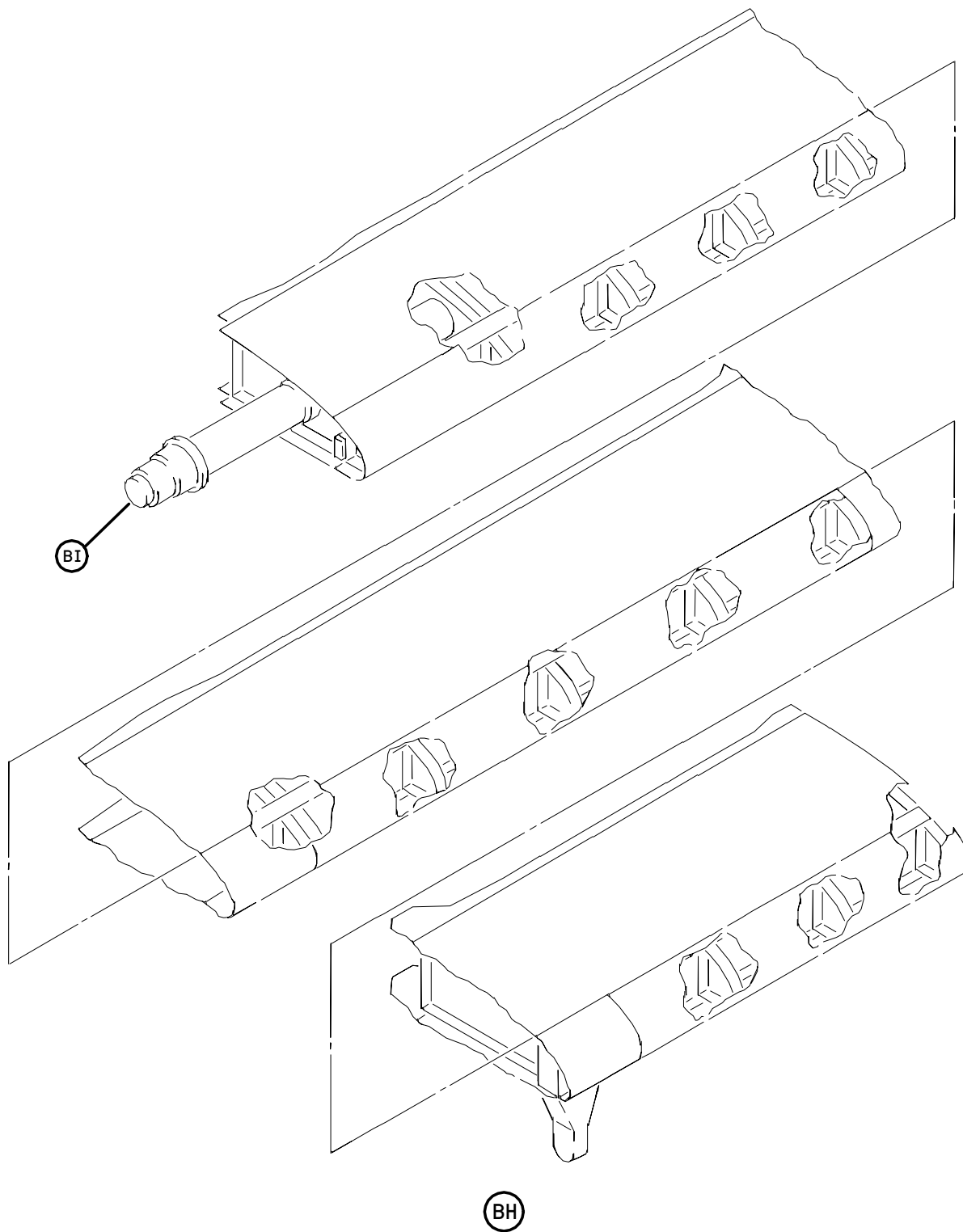
**57-53-27**



Fits and Clearances  
Figure 801 (Sheet 5)

**57-53-27**

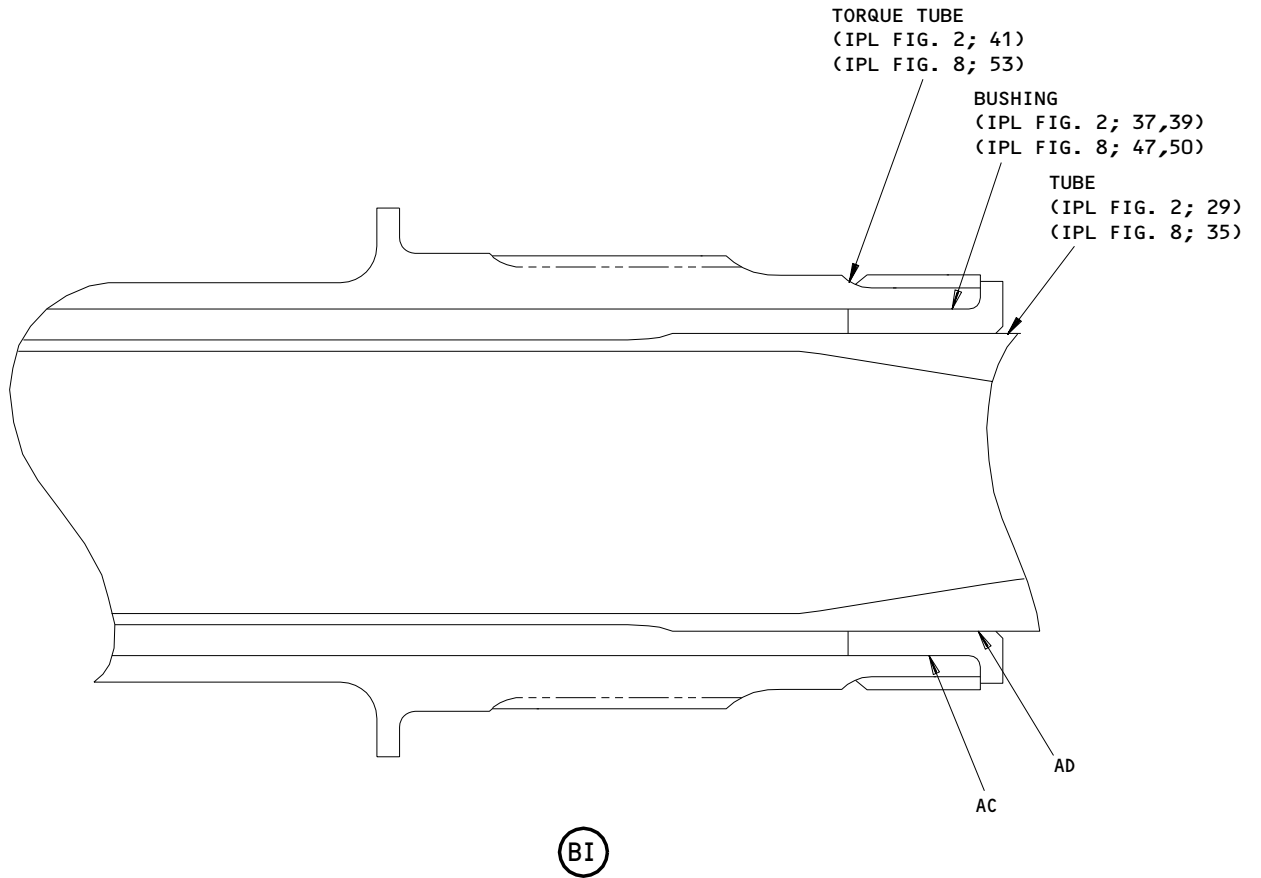
FITS AND CLEARANCES  
01.1 Page 805  
Jul 01/03



**Fits and Clearances**  
**Figure 801 (Sheet 6)**

**57-53-27**

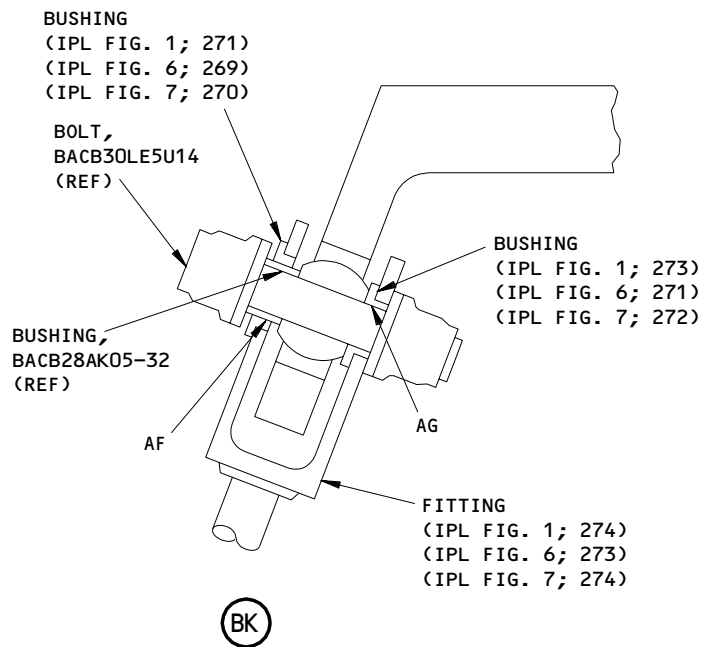
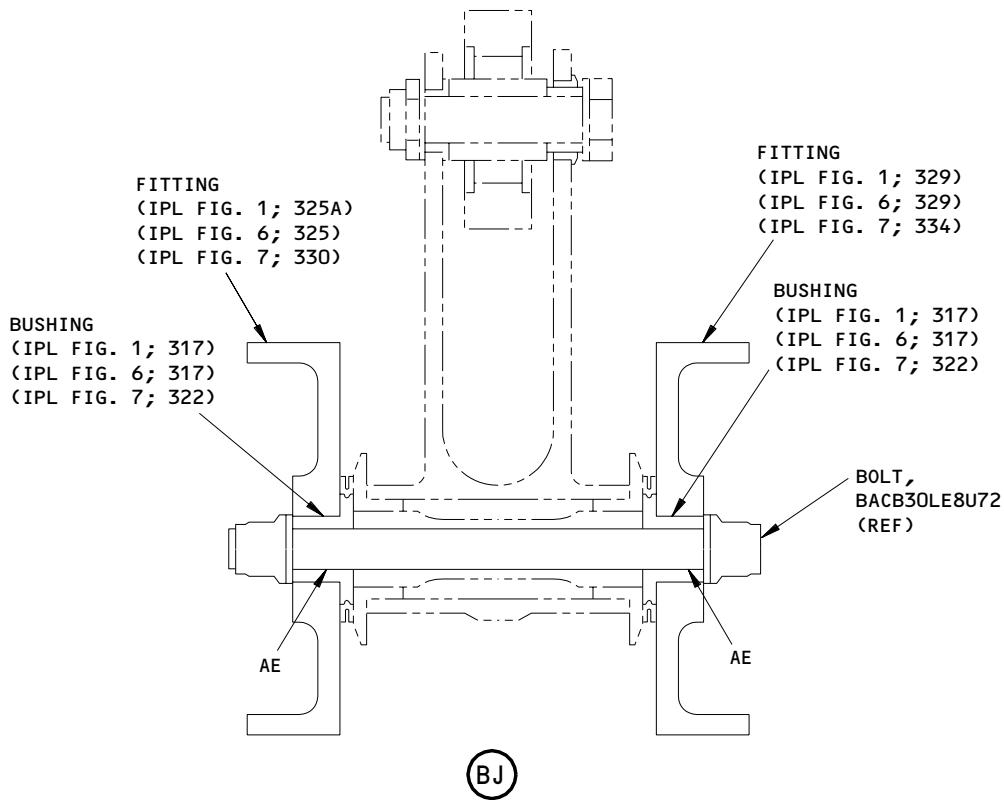
FITS AND CLEARANCES  
01 Page 806  
Oct 01/87



Fits and Clearances  
Figure 801 (Sheet 7)

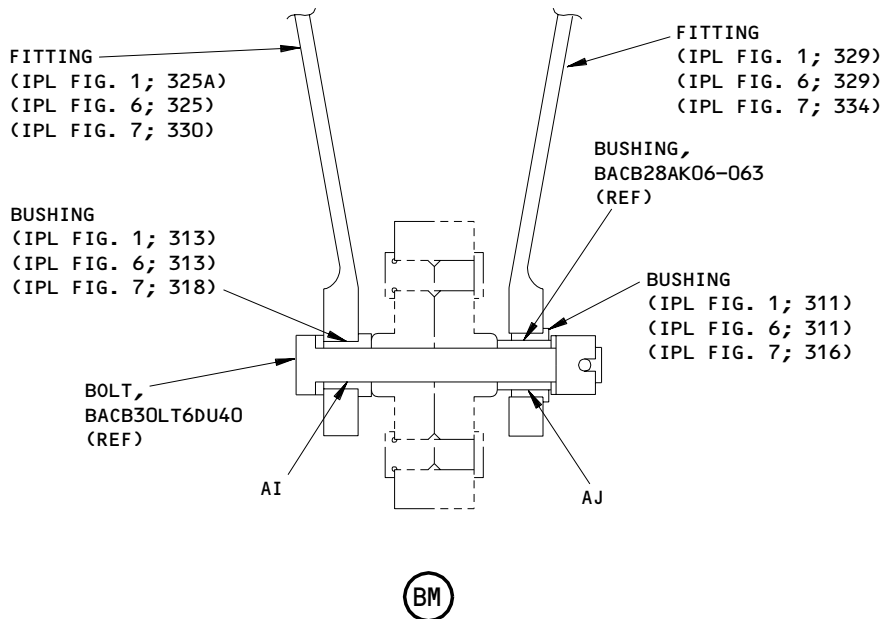
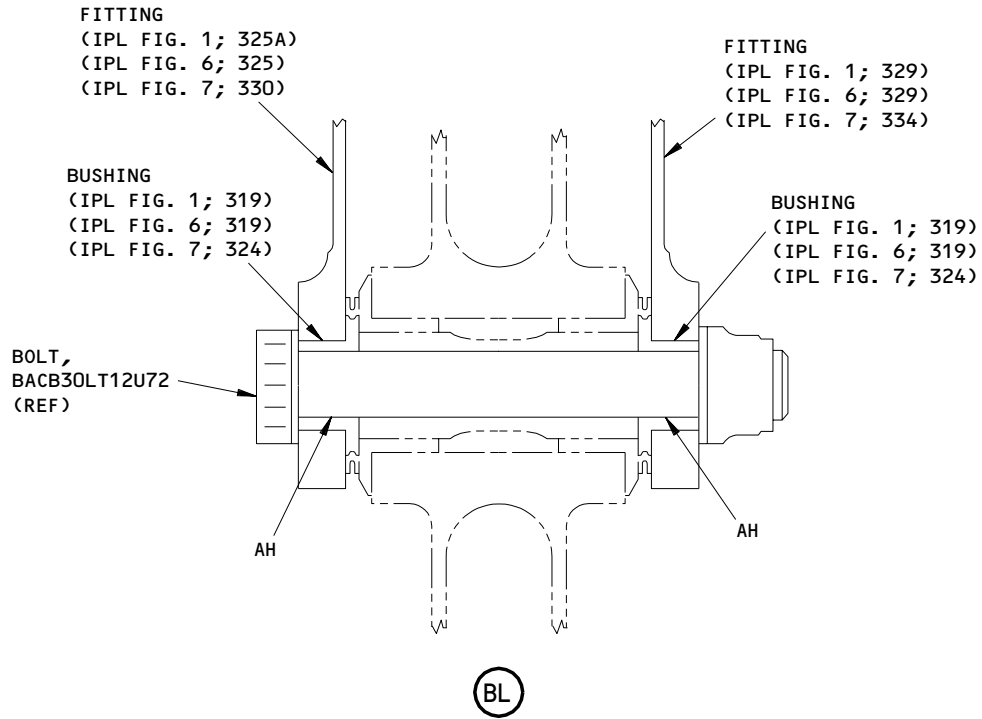
**57-53-27**

FITS AND CLEARANCES  
01.1 Page 807  
Mar 01/00



Fits and Clearances  
 Figure 801 (Sheet 8)

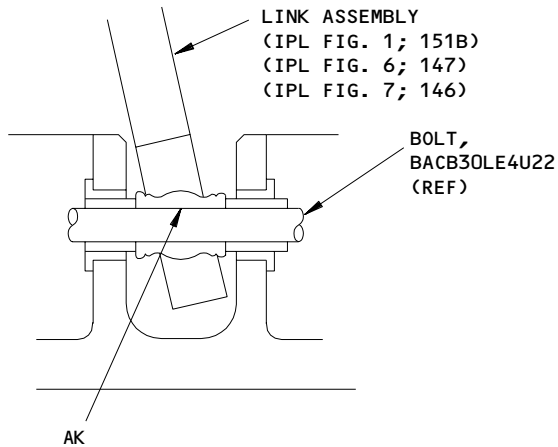
**57-53-27**



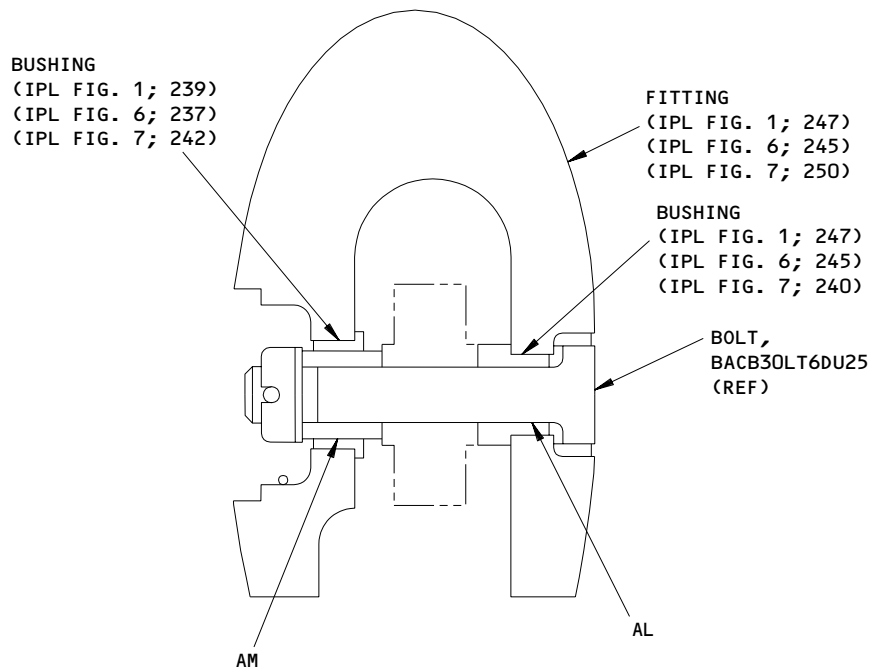
Fits and Clearances  
 Figure 801 (Sheet 9)

**57-53-27**





BN

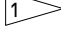


B0

Fits and Clearances  
 Figure 801 (Sheet 10)

**57-53-27**

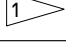

**BOEING**  
 COMPONENT  
 MAINTENANCE MANUAL

Ref Letter Fig.801	Mating IPL Fig. No.- Item No.	Design Dimensions				Service Wear Limits		
		Dimensions		Assembly Clearance 		Dimensions		Maximum Clearance
		Min	Max	Min	Max	Min	Max	
A	ID 1-199 6-201 7-198	0.5000	0.5007	0.0005	0.0017	0.4957	0.5045	0.0050
	OD 1-177 6-177 7-174	0.4990	0.4995					
B	ID 1-439, 440G, 6-435,437 7-434	0.5000	0.5007	0.0005	0.0017	0.4957	0.5045	0.0050
	OD 1-177 6-177 7-174	0.4990	0.4995					
C	ID 1-441 6-439 7-438	0.6250	0.6256	-0.0005	-0.0017			
	OD 1-439, 440G, 6-435,437 7-434	0.6261	0.6267					
D	ID 1-199 6-201 7-198	0.5000	0.5007	0.0005	0.0017	0.4957	0.5045	0.0050
	OD 1-177 6-177 7-174	0.4990	0.4995					
E	ID 1-439 6-435 7-434	0.5000	0.5007	0.0005	0.0017	0.4957	0.5045	0.0050
	OD 1-177 6-177 7-174	0.4990	0.4995					
F	ID 1-441 6-439 7-438	0.6250	0.6256	-0.0005	-0.0017			
	OD 1-439 6-435 7-434	0.6261	0.6267					
G	ID 1-197 6-199 7-196	0.3125	0.3131	0.0005	0.0016	0.3081	0.3170	0.0050
	OD 1-153B 6-151 7-150	0.3115	0.3120					
H	ID 1-159 6-157 7-156	0.3125	0.3130	0.0005	0.0015	0.3080	0.3170	0.0050
	OD 1-153B 6-151 7-150	0.3115	0.3120					
I	ID 1-195 6-197 7-194	0.4375	0.4382	0.0005	0.0017	0.4332	0.4420	0.0050
	OD 1-159 6-157 7-156	0.4365	0.4370					
J	ID 1-165 6-163 7-162	0.3120	0.3125	0.0000	0.0010	0.3075	0.3170	0.0050
	OD 1-153B 6-151 7-150	0.3115	0.3120					
K	ID 1-147 6-143 7-142	0.2500	0.2505	0.0004	0.0015	0.2455	0.2546	0.0050
	OD 1-141 6-137 7-136	0.2490	0.2496					

Fits and Clearances  
Figure 801 (Sheet 11)

# 57-53-27

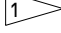



FITS AND CLEARANCES  
01.1 Page 811  
Jul 01/03

Ref Letter Fig.801	Mating IPL Fig. No.- Item No.	Design Dimensions				Service Wear Limits		
		Dimensions		Assembly Clearance 		Dimensions		Maximum Clearance
		Min	Max	Min	Max	Min	Max	
L	ID 1-193 6-195 7-192	0.2500	0.2505	0.0004	0.0015	0.2455	0.2546	0.0050
	OD 1-141 6-137 7-136	0.2490	0.2496					
M	ID 1-191 6-193 7-190	0.3750	0.3756	0.0005	0.0016	0.3706	0.3795	0.0050
	OD 1-147 6-143 7-142	0.3740	0.3745					
N	ID 1-151B 6-147 7-146	0.2495	0.2500	-0.0001	0.0010	0.2450	0.2546	0.0050
	OD 1-141 6-137 7-136	0.2490	0.2496					
O	ID 1-81,119 6-75,115 7-76,114	0.3125	0.3130	0.0005	0.0015	0.3080	0.3170	0.0050
	OD 1-73,111 6-67,107 7-68,106	0.3115	0.3120					
P	ID 1-95,133 6-89,129 7-90,128	0.4375	0.4382	0.0005	0.0017	0.4332	0.4420	0.0050
	OD 1-81,119 6-75,115 7-76,114	0.4365	0.4370					
Q	ID 1-97,135 6-91,131 7-92,130	0.5625	0.5631	-0.0005	-0.0017			
	OD 1-95,133 6-89,129 7-90,128	0.5636	0.5642					
R	ID 1-385,467 6-377,461 7-376,464	0.4375	0.4382	0.0005	0.0017	0.4332	0.4420	0.0050
	OD 1-81,119 6-75,115 7-76,114	0.4365	0.4370					
S	ID 1-387,469 6-379,463 7-378,466	0.3125	0.3131	0.0005	0.0016	0.3081	0.3170	0.0050
	OD 1-73,111 6-67,107 7-68,106	0.3115	0.3120					
T	ID 1-83,121 6-77,117 7-78,116	0.3125	0.3130	0.0005	0.0015	0.3080	0.3170	0.0050
	OD 1-75,113 6-69,109 7-70,108	0.3115	0.3120					
U	ID 1-91,129 6-85,125 7-86,124	0.4375	0.4382	0.0005	0.0017	0.4332	0.4420	0.0050
	OD 1-83,121 6-77,117 7-78,116	0.4365	0.4370					

Fits and Clearances  
Figure 801 (Sheet 12)

**57-53-27**


**BOEING**  
 COMPONENT  
 MAINTENANCE MANUAL

Ref Letter Fig.801	Mating IPL Fig. No.- Item No.	Design Dimensions				Service Wear Limits		
		Dimensions		Assembly Clearance 		Dimensions		Maximum Clearance
		Min	Max	Min	Max	Min	Max	
V	ID 1-93,131 6-87,127 7-88,126	0.3125	0.3130	0.0005	0.0015	0.3080	0.3170	0.0050
	OD 1-75,113 6-69,109 7-70,108	0.3115	0.3120					
W	ID 1-389,465 6-381,459 7-380,462	0.4375	0.4382	0.0005	0.0017	0.4332	0.4420	0.0050
	OD 1-83,121 6-77,117 7-78,116	0.4365	0.4370					
X	ID 1-391,471 6-388,465 7-382,468	0.5620	0.5625	-0.0011	-0.0022			
	OD 1-389,465 6-381,459 7-380,462	0.5636	0.5642					
Y	ID 1-255 6-261 7-258	0.3125	0.3130	0.0005	0.0015	0.3080	0.3170	0.0050
	OD 1-249 6-255 7-252	0.3115	0.3120					
Z	ID 1-273 6-271 7-274	0.3125	0.3131	0.0005	0.0016	0.3081	0.3170	0.0050
	OD 1-249 6-255 7-252	0.3115	0.3120					
AA	ID 1-271 6-269 7-270	0.4375	0.4381	0.0005	0.0016	0.4331	0.4420	0.0050
	OD 1-255 6-261 7-258	0.4365	0.4370					
AB	ID 1-315 6-315 7-320	0.3125	0.3129	0.0005	0.0014	0.3079	0.3170	0.0050
	OD 1-249 6-255 7-252	0.3115	0.3120					
AC	ID 2-41,8-53 2-39,8-50	2.7300	2.7309	-0.0018	-0.0031			
	OD 2-37,8-47	2.7322	2.7331					
AD	ID 2-37,8-47 2-39,8-50	2.3205	2.3220	0.0005	0.0030	2.3112	2.3318	0.0118
	OD 2-29,8-35	2.3190	2.3200					
AE	ID 1-317 6-317 7-232	0.5000	0.5007	0.0005	0.0017	0.4957	0.5045	0.0050
	OD 	0.4990	0.4995					
AF	ID 1-271 6-269 7-270	0.4375	0.4381	0.0005	0.0016	0.4331	0.4420	0.0050
	OD 	0.4365	0.4370					
AG	ID 1-273 6-271 7-272	0.3125	0.3131	0.0005	0.0016	0.3081	0.3170	0.0050
	OD 	0.3115	0.3120					

Fits and Clearances  
Figure 801 (Sheet 13)

57-53-27

FITS AND CLEARANCES  
01.1 Page 813  
Jul 01/03

Ref Letter Fig.801	Mating IPL Fig. No.- Item No.	Design Dimensions				Service Wear Limits		
		Dimensions		Assembly Clearance <sup>1</sup>		Dimensions		Maximum Clearance
		Min	Max	Min	Max	Min	Max	
AH	ID 1-319 6-319 7-324	0.7495	0.7503	0.0005	0.0018		0.7543	0.0053
	OD <sup>5</sup>	0.7485	0.7490			0.7450		
AI	ID 1-313 6-313 7-318	0.3750	0.3756	0.0010	0.0031		0.3790	0.0050
	OD <sup>6</sup>	0.3725	0.3740			0.3706		
AJ	ID 1-311 6-311 7-316	0.5620	0.5627	0.0005	0.0017		0.5665	0.0050
	OD <sup>7</sup>	0.5610	0.5615			0.5577		
AK	ID 1-151B 6-147 7-146	0.2495	0.2500	0.0000	0.0010		0.2545	0.0050
	OD <sup>8</sup>	0.2490	0.2495			0.2450		
AL	ID 1-237 6-235 7-240	0.3750	0.3756	0.0010	0.0031		0.3790	0.0050
	OD <sup>9</sup>	0.3725	0.3740			0.3705		
AM	ID 1-239 6-237 7-242	0.5620	0.5627	0.0005	0.0017		0.5665	0.0050
	OD <sup>10</sup>	0.5610	0.5615			0.5577		

- <sup>1</sup> NEGATIVE VALUES DENOTE INTERFERENCE FIT
- <sup>2</sup> BOLT, BACB30LE8U72 (REF)
- <sup>3</sup> BUSHING, BACB28AK05-32 (REF)
- <sup>4</sup> BOLT, BACB30LE5U14 (REF)
- <sup>5</sup> BOLT, BACB30LT12U72 (REF)
- <sup>6</sup> BOLT, BACB30LT6DU40 (REF)
- <sup>7</sup> BUSHING, BACB28AK06-063 (REF)
- <sup>8</sup> BOLT, BACB30LE4U22 (REF)
- <sup>9</sup> BOLT, BACB30LT6DU25
- <sup>10</sup> BUSHING, BACB28AK06-052

ALL DIMENSIONS ARE IN INCHES

Fits and Clearances  
Figure 801 (Sheet 14)

**57-53-27**

FITS AND CLEARANCES  
01.1 Page 814  
Jul 01/03

FITS AND CLEARANCES

FOR TORQUE VALUES OF STANDARD FASTENERS, REFER TO 20-50-01		
ITEM NO. FIG. NO.	NAME	TORQUE
		POUND-INCHES
<u>Fig. 1</u>		
13	Nut	720-840
185	Nut	240-300
<u>Fig. 2</u>		
13	Nut	660-980
33*	Nut	500-600
527	Nut	440-650
<u>Fig. 6</u>		
7	Nut	720-840
187	Nut	240-300
* Back off nut as necessary to align cotter pin holes.		

Torque Table  
 Fig. 802 (Sheet 1)

**57-53-27**

FOR TORQUE VALUES OF STANDARD FASTENERS, REFER TO 20-50-01		
ITEM NO. FIG. NO.	NAME	TORQUE
		POUND-INCHES
<u>Fig. 7</u>		
14	Nut	720-840
184	Nut	240-300
<u>Fig. 8</u>		
17	Nut	660-980
41	Nut	500-600
599		440-650

Torque Table  
 Fig. 802 (Sheet 2)

Torque Table  
 Fig. 802

**57-53-27**



ILLUSTRATED PARTS LIST

1. This section lists and illustrates replaceable or repairable component parts. The Illustrated Parts Catalog contains a complete explanation of the Boeing part numbering system.
2. Indentures show parts relationships as follows:

Assembly

Detail Parts for Assembly

Subassembly

Attaching Parts for Subassembly

Detail Parts for Subassembly

Detail Installation Parts (Included only if installation parts may be returned to shop as part of assembly)

3. One use code letter (A, B, C, etc.) is assigned in the EFF CODE column for each variation of top assembly. All listed parts are used on all top assemblies except when limitations are shown by use code letter opposite individual part entries.
4. Letter suffixes (alpha-variants) are added to item numbers for optional parts, Service Bulletin modification parts, configuration differences (except left- and right-hand parts), product improvement parts, and parts added between two sequential item numbers. The alpha-variant is not shown on illustrations when appearance and location of all variants of the part is the same.
5. Service Bulletin modifications are shown by the notations PRE SB XXXX and POST SB XXXX.
  - A. When a new top assembly part number is assigned by Service Bulletin, the notations appear at the top assembly level only. The configuration differences at detail part level are then shown by use code letter.
  - B. When the top assembly part number is not changed by the Service Bulletin, the notations appear at the detail part level.

6. Parts Interchangeability

Optional  
(OPT)

The parts are optional to and interchangeable with other parts having the same item number.

Supersedes, Superseded By  
(SUPSDS, SUPSD BY)

The part supersedes and is not interchangeable with the original part.

Replaces, Replaced By  
(REPLS, REPLD BY)

The part replaces and is interchangeable with, or is an alternate to, the original part.

**57-53-27**

ILLUSTRATED PARTS LIST

01

Page 1001

Oct 01/87



## 7. Boeing Proprietary Color-Coded Parts

Color-coded parts are identified with an alpha "SP" suffix. The entry represents consolidation of all color codes applicable for a given usage. Orders for color-coded parts should include the registry number of the airplane for which the parts are ordered.

**57-53-27**ILLUSTRATED PARTS LIST  
01 Page 1002  
Oct 01/87


**BOEING**  
 COMPONENT  
 MAINTENANCE MANUAL
VENDORS

S0352 NIPPON MINIATURE BEARING CO LTD  
TOKYO, JAPAN

OPTK6 SPS TECHNOLOGIES INC AEROSPACE PRODUCTS DIV  
5195 W 4700 SPO BOX 18459  
KEARNS, UTAH 84118

06710 LAMSON AND SESSIONS CO THE VALLEY-TODECO  
12975 BRADLEY AVENUE  
SYLMAR, CALIFORNIA 91342-3830  
FORMERLY VALLEY BOLT CORP VB0097 IN NORTH HOLLYWOOD, CA

06725 AIR INDUSTRIES CORPORATION  
12570 KNOTT STREET  
GARDEN GROVE, CALIFORNIA 92641-3932  
FORMERLY AIR INDUSTRIES OF CALIF IN GARDENA, CALIF.

08524 DEUTSCH FASTENER CORP SEE CODE V97928

11815 CHERRY AEROSPACE FASTENERS DIV OF TEXTRON  
1224 EAST WARNER AVENUE PO BOX 2157  
SANTA ANA, CALIFORNIA 92707-0157  
FORMERLY IN LOS ANGELES, CALIF, FORMERLY CHERRY FASTENERS  
TOWNSEND DIV OF TEXTRON INC V71087

11960 BURKE IND HASKON DIV  
336 WEIR ST PO BOX 1091  
TAUNTON, MASSACHUSETTS 02780  
FORMERLY HERCULES INC AND HAVEG IND; FORMERLY HASKON CORP

15653 ALOCA GLOBAL FASTEMERS INC DIV KAYNARE PRODUCTS  
800 S STATE COLLEGE BLVD  
FULLERTON, CALIFORNIA 92831-3001  
FORMERLY VK6405 MICRODOT AEROSP LTD; FORMERLY KAYNAR TECH  
FORMERLY FAIRCHILD FASTENERS KAYNAR DIV

15860 NEW HAMPSHIRE BALL BEARINGS, INC ASTRO DIVISION  
155 LEXINGTON AVENUE  
LACONIA, NEW HAMPSHIRE 03246-2937  
FORMERLY ASTRO BEARING CORP, LOS ANGELES, CALIF.

22599 AMERACE CORP ESNA DIV  
VAN NUYS, CALIFORNIA 91411-3532  
OBSOLETE RECORD - LOCATION UNKNOWN  
FORMERLY ELASTIC STOP NUT DIV OF AMERACE ESNA CORP

57-53-27

 ILLUSTRATED PARTS LIST  
 01.1 Page 1003  
 Jul 01/04

VENDORS

25099 CASCADE GASKET AND MFG CO  
8825 SOUTH 228TH STREET  
KENT, WASHINGTON 98031-2437

27238 BRISTOL INDUSTRIES  
630 EAST LAMBERT ROAD PO BOX 630  
BREA, CALIFORNIA 92621-4119

5M902 FAIRCHILD IND INC FAIRCHILD AEROSPACE FASTENER DIV  
3016 W LOMITA BLVD  
TORRANCE, CALIFORNIA 90505-5103  
FMLY IN REDONDO BEACH, CALIF

50632 KAMATICS CORP SUB OF KAMAN CORP  
1335 BLUE HILLS ROAD  
BLOOMFIELD, CONNECTICUT 06002-1304

52825 HOFFMAN CAMERA CORP  
19 GRAND AVENUE  
FARMINGTON, NEW YORK 11735-6315

52828 REPUBLIC FASTENER MFG CORP  
1300 RANCHO CONEJO BLVD  
NEWBURY PARK, CALIFORNIA 91320-1405  
FORMERLY IN SYLMAR, CALIFORNIA

56878 SPS TECHNOLOGIES INC AEROSPACE AND INDUSTRIAL PRODUCTS DIV  
301 HIGHLAND AVE  
JENKINTOWN, PENNSYLVANIA 19046  
FORMERLY STANDARD PRESSED STEEL

60119 MONADNOCK CO THE  
18301 ARENTH AVENUE  
ROWLAND HEIGHTS, CALIFORNIA 91748-1288  
FORMERLY UNITED CARR FASTENER CORP VB0051 VB0056 VB0076  
FORMERLY TRW ELECTRONIC COMPONENTS CINCH-MONADNOCK DIV  
FORMERLY CINCH-MONADNOCK DIV OF TRW INC V76530  
FORMERLY IN CITY OF INDUSTRY, CALIFORNIA

60516 WEST COAST AEROSPACE INC  
812 MIRAFLORES STREET  
SAN PEDRO, CALIFORNIA 90731-1439

62554 SIMMONDS MECAERO FASTENERS INC  
1734 SEQUOIA AVENUE  
ORANGE, CALIFORNIA 92668

57-53-27

ILLUSTRATED PARTS LIST  
01.1 Page 1004  
Jul 01/04


**BOEING**  
 COMPONENT  
 MAINTENANCE MANUAL
VENDORS

71087      BOOTS ACFT NUT DIV TOWNSEND CO SEE TEXTRON INC CHERRY  
 FASTENER TOWNSEND DIV V11815

72962      HARVARD INDUSTRIES INC  
 3 WERNER WAY SUITE 210  
 LEBANON, NEW JERSEY 08833  
 FORMERLY AMERACE CORP ESNA DIV  
 FORMERLY ELASTIC STOP NUT IN UNION, NJ

73134      ROLLER BEARING COMPANY OF AMER DBA HEIM BEARINGS DIV  
 60 ROUND HILL RD  
 FAIRFIELD, CONNECTICUT 06430-0000  
 FORMERLY INCOM INTL HEIM DIV; HEIM UNIVERSAL CORP INCOM;  
 FORMERLY HEIM DIV INCOM INTL; IMO IND HEIM BEARINGS DIV

73197      HI-SHEAR TECHNOLOGY CORP  
 2600 SKYPARK DRIVE  
 TORRANCE, CALIFORNIA 90509

77896      REXNORD INC BEARING OPERATION  
 2400 CURTIS STREET  
 DOWNERS GROVE, ILLINOIS 60515-4005  
 FORMERLY SHAEFER BEARING DIV REX CHAINBELT  
 FORMERLY REX CHAINBELT INC BEARING DIV.

80539      SPS TECHNOLOGIES INC DIV AERPSOACE - SANTA ANA  
 2701 SOUTH HARBOR BOULEVARD  
 SANTA ANA, CALIFORNIA 92704-5803  
 FORMERLY NUTT-SHEL DIV OF SPC WESTERN CO V80539  
 AND STANDARD PRESSED STEEL WESTERN DIV V17279

81376      SMITH ACQUISITION COMPANY  
 2240 BUENA VISTA  
 BALDWIN PARK, CALIFORNIA 91706

85495      BRILES MFG CO SEE OMARK INDUSTRIES  
 PRECISION FASTENING SUB OF OMARK IND INC SEE DEUTSCH  
 FASTENER CORP V08524  
 OMARK INDUSTRIES SEE PRECISION FASTENING

9N513      VOI SHAN/CHATSWORTH DIV OF VSI CORP SUB OF FAIRCHILD IND  
 CHATSWORTH, CALIFORNIA 91311-5013  
 COMPANY NO LONGER WISHES TO BE CONSIDERED FOR FED CONTRCTG

57-53-27

 ILLUSTRATED PARTS LIST  
 01.1      Page 1005  
 Jul 01/04

VENDORS

92215 FAIRCHILD IND INC FAIRCHILD AEROSPACE FASTENER DIV  
3010 W LOMITA BLVD  
TORRANCE, CALIFORNIA 90505-5102  
FORMERLY VOI-SHAN IN CULVER CITY, CALIF

97613 SARGENT CONTROLS & AEROSPACE/KAHR BEARING DIV  
5675 W BURLINGAME RD  
TUCSON, ARIZONA 85743  
FORMERLY AETNA STEEL PROD KAHR BEARING DIV V96579  
FORMERLY SARGENT IND KAHR BEARING DIV, BURBANK, CALIFORNIA

97928 SEE V17446 HUCK INTL  
HUCK INTL SEE V17446 HUCK INTL  
SEE V17446 HUCK INTL

**57-53-27**

ILLUSTRATED PARTS LIST  
01.1 Page 1006  
Jul 01/04


**BOEING**  
 COMPONENT  
 MAINTENANCE MANUAL

PART NUMBER	AIRLINE PART NO.	FIG.	ITEM	TTL REQ
ADW05V301NC		1	315	1
		6	315	1
		7	320	1
AN960-10L		1	708S	34
		6	539	34
		7	546	34
AN960-416		1	143	2
		6	139	2
		7	138	2
AN960-516		1	155	2
		6	153	2
		7	152	2
AN960C416		1	145	2
		6	141	2
		7	140	2
AN960C516		1	157	2
		6	155	2
		7	154	2
AN960JD10L		1	341B	4
		6	341	4
		7	342	4
AN960JD416		1	435A	8
		6	431	8
		7	430	8
AN960PD10		1	341	
		2	573	3
		8	668	3
AN960PD10L		1	341A	4
		1	435	8
		1	677	4
AN960PD416		1	682	20
		1	685	12
		6	501	4
		6	513	20
		6	521	12
		7	502	4
		7	512	20
		7	518	12
		7	148	2
AS24665-153		7	148	2
BACB10CA7CV		1	227	
BACB10FA05GC		1	315	1
		6	315	1
		7	320	1
BACB28AK04-037		1	147	2
		6	143	2
		7	142	2

57-53-27

 ILLUSTRATED PARTS LIST  
 01.1 Page 1007  
 Mar 01/05

PART NUMBER	AIRLINE PART NO.	FIG.	ITEM	TTL REQ
BACB28AK05-020		1	255	AR
		6	261	AR
		7	258	AR
BACB28AK05-022		1	255A	AR
		6	261A	AR
		7	258A	AR
BACB28AK05-025		1	255B	AR
		6	261B	AR
		7	258B	AR
BACB28AK05-034		1	159	2
		6	157	2
		7	156	2
BACB28AK05-075		1	81	1
		1	119	1
		6	75	1
		6	115	1
		7	76	1
BACB28AK05-079		7	114	1
		1	83	1
		1	121	1
		6	77	1
		6	117	1
BACB28AM06B018		7	78	1
		7	116	1
		1	191	1
		6	193	1
BACB28AM07B008A		7	190	1
		1	271	1
		6	269	1
BACB28AM07B016		7	270	1
		1	195	1
		6	197	1
BACB28AM09B027A		7	194	1
		1	239	1
		6	237	1
BACB28AM09B036A		7	242	1
		1	311	1
		6	311	1
BACB28AP04P018		7	316	1
		1	193	1
		6	195	1
BACB28AP05P008		7	192	1
		1	273	1
		6	271	1
		7	272	1

# 57-53-27

 ILLUSTRATED PARTS LIST  
 01.1 Page 1008  
 Mar 01/05


**BOEING**  
 COMPONENT  
 MAINTENANCE MANUAL

PART NUMBER	AIRLINE PART NO.	FIG.	ITEM	TTL REQ
BACB28AP05P016		1	197	1
		6	199	1
		7	196	1
BACB28AP09P018		1	97	1
		1	135	1
		6	91	1
		6	131	1
		7	92	1
		7	130	1
		7	130	1
BACB28AP09P038		1	391	1
		1	471	1
		6	383	1
		6	465	1
		7	382	1
		7	468	1
		7	468	1
BACB28AP10P018		1	441	2
		6	439	2
		7	438	2
		7	438	2
BACB28AT09B027C		7	242A	1
BACB28AT09B036C		7	316A	1
BACB30LE5K19		7	296A	2
BACB30LE5K20		7	294A	2
BACB30LE5U15		1	249	1
		6	255	1
		7	252	1
BACB30LE5U18		1	75	1
		1	113	1
		6	69	1
		6	109	1
		7	70	1
		7	108	1
		7	108	1
BACB30LE5U19		1	73	1
		1	111	1
		1	153	1
		6	67	1
		6	107	1
		7	68	1
		7	106	1
BACB30LE8K27		2	517A	2
		8	584B	2
		8	584A	2
BACB30LE8K30		8	584A	2
BACB30LJ3U10		2	321	2
		8	263	2

57-53-27

 ILLUSTRATED PARTS LIST  
 01.1 Page 1009  
 Mar 01/05



PART NUMBER	AIRLINE PART NO.	FIG.	ITEM	TTL REQ
BACB30LJ4H5		1	65	1
		1	103	1
		6	59	1
		6	97	1
		7	60	1
		7	98	1
BACB30LJ4U21		1	141	2
		6	137	2
		7	136	2
BACB30LJ5DU19		1	153B	2
		6	151	2
		7	150	2
BACB30LK3-10		8	432	2
		2	571	
BACB30LK3-3		2	571A	3
BACB30LK3-4		8	665	3
BACB30LK3-7		2	812N	1
		9	95	1
BACB30LK4-11		8	435A	4
BACB30LK4-9		1	871	10
		2	415	10
		6	825	10
		7	828	8
		7	829	2
		8	434	6
		8	435	4
		2	704A	3
		8	827	3
		2	704	
BACB30LR3-8		2	7A	2
BACB30LR8		8	8	2
BACB30LT10K31		2	7A	2
		8	8	2
BACB30MB6AK6		5	355A	63
BACB30MR5K19		1	291	2
		6	295	2
		7	296	2
BACB30MR5K20		1	289	2
		6	293	2
		7	294	2
BACB30MR5K24		1	211	1
		6	213	1
		7	210	1
BACB30MR5K27		1	213	2
		6	215	2
		7	212	2
BACB30MR5K29		1	215	1
		6	217	1
		7	214	1

57-53-27

 ILLUSTRATED PARTS LIST  
 01.1 Page 1010  
 Mar 01/05


**BOEING**  
 COMPONENT  
 MAINTENANCE MANUAL

PART NUMBER	AIRLINE PART NO.	FIG.	ITEM	TTL REQ
BACB30MR5K30		7	216A	1
BACB30MR5K31		7	218A	1
BACB30MR7K30		1	217	1
		6	219	1
		7	216	1
BACB30MR7K31		1	219	1
		6	221	1
		7	218	1
BACB30MR8K27		2	517	2
		8	584	2
BACB30MY10K10		1	873	2
		2	408G	2
		8	422	2
BACB30MY10K20		2	545	1
		8	626	1
BACB30MY10K7		1	513	
		1	535	
		4	65	1
		4	125	4
BACB30MY10K8		1	515	
		4	70	1
BACB30MY12K10		1	873A	2
		6	827	2
		7	830	2
BACB30MY5K12		1	277	2
		6	281	2
		7	282	2
BACB30MY6K2		2	107	10
		2	555	4
		8	641	4

# 57-53-27

 ILLUSTRATED PARTS LIST  
 01.1 Page 1011  
 Mar 01/05

PART NUMBER	AIRLINE PART NO.	FIG.	ITEM	TTL REQ
BACB30MY6K3		1	627	
		1	777	3
		1	925	12
		1	324G	2
		1	328G	2
		2	61	4
		2	108	9
		2	109	18
		2	183	
		2	247	
		2	331	11
		2	461	14
		2	557	1
		2	649	34
		2	719	14
		2	757	55
		4	385	55
		5	7	1
		5	105	1
		5	240	8
		5	385	56
		5	410	1
		6	719	3
		6	847	12
		6	324G	2
		7	726	3
		7	878	12
		8	101	4
		8	167	9
		8	290	11
		8	500	14
		8	644	1
		8	734	34
	8	848	14	
	9	10	47	

# 57-53-27

 ILLUSTRATED PARTS LIST  
 01.1 Page 1012  
 Mar 01/05


**BOEING**  
 COMPONENT  
 MAINTENANCE MANUAL

PART NUMBER	AIRLINE PART NO.	FIG.	ITEM	TTL REQ
BACB30MY6K4		1	629	
		2	110	18
		2	145	
		2	157	
		2	169	
		2	185	
		2	199	
		2	245	
		2	333	11
		2	651	4
		2	677	4
		2	717	16
		4	390	55
		5	20	2
		5	45	1
		5	75	1
		5	100	1
		5	115	1
		5	141	15
		5	245	2
		5	275	1
		5	380	57
		5	405	1
		8	170	18
		8	293	11
		8	737	4
		8	776	4
	8	845	16	

# 57-53-27

 ILLUSTRATED PARTS LIST  
 01.1 Page 1013  
 Mar 01/05

PART NUMBER	AIRLINE PART NO.	FIG.	ITEM	TTL REQ
BACB30MY6K5		1	339	5
		1	569	
		1	605	
		1	631	
		1	729	20
		1	775	5
		2	63	4
		2	111	4
		2	143	
		2	155	
		2	167	
		2	181	
		2	353	8
		4	255	2
		4	335	1
		4	395	11
		5	40	1
		5	70	1
		5	110	1
		5	138	15
		5	235	2
		6	339	5
		6	643	20
		6	717	2
		7	340	5
		7	648	20
		7	724	5
		8	104	4
		8	173	4
		8	326	8

**57-53-27**

 ILLUSTRATED PARTS LIST  
 01.1 Page 1014  
 Mar 01/05


**BOEING**  
 COMPONENT  
 MAINTENANCE MANUAL

PART NUMBER	AIRLINE PART NO.	FIG.	ITEM	TTL REQ
BACB30MY6K6		1	455	10
		1	571	
		1	593	
		1	632	
		2	64	4
		2	179	
		2	297	11
		2	355	4
		2	653	4
		4	260	2
		4	300	1
		4	400	8
		5	230	2
		6	453	10
		7	450	10
		8	107	4
		8	233	14
		8	329	4
		8	740	4
	BACB30MY6K7		2	295
		2	357	4
		8	230	2
		8	332	4
BACB30MY6K8		2	113	
		2	293	1
		2	359	4
		2	405	6
		8	227	1
		8	335	4
		8	413	6
		8	408	
BACB30MY8K10		2	408	
BACB30MY8K12		2	114	4
		2	407	2
		8	179	4
		8	416	2
BACB30MY8K13		2	543	1
		8	623	1
BACB30MY8K4		1	533	
		1	603	
		4	115	8
BACB30MY8K5		4	325	1
		1	491	
		2	133	
		4	15	4
		5	150	1

57-53-27

 ILLUSTRATED PARTS LIST  
 01.1 Page 1015  
 Mar 01/05

PART NUMBER	AIRLINE PART NO.	FIG.	ITEM	TTL REQ
BACB30MY8K6		1	531	
		2	131	
		2	249	
		4	110	4
		5	147	1
BACB30MY8K7		5	395	1
		1	511	
		2	59	2
		2	201	
		2	541	1
		2	663	4
		4	55	6
		5	285	1
		8	98	2
		8	620	1
BACB30MY8K8		8	755	4
		2	409	2
		2	661	4
		2	113A	4
		8	176	4
		8	425	2
		8	752	4
		8	752	4
BACB30MY8K9		1	875	6
		2	408A	6
		6	829	6
		7	832	6
		8	419	6
BACB30M6 BACB30NM4K10		2	679	
		1	433	8
		6	429	8
BACB30NN3K4		7	428	8
		1	937	16
		1	708Q	34
		6	537	34
		6	881	16
		7	544	34
		7	888	16
BACB30NN3K5		1	692	
		1	711	
		1	963	32
		6	899	32
		7	906	32

# 57-53-27

 ILLUSTRATED PARTS LIST  
 01.1 Page 1016  
 Mar 01/05


**BOEING**  
 COMPONENT  
 MAINTENANCE MANUAL

PART NUMBER	AIRLINE PART NO.	FIG.	ITEM	TTL REQ
BACB30NN3K6		1	57	57
		1	367	1
		1	401	7
		1	625	
		1	737	12
		1	773	7
		1	821	6
		1	877	12
		1	692A	76
		1	708N	42
		1	711A	46
		1	737G	10
		2	66	10
		2	237	
		2	301	12
		2	361	10
		2	413	12
		2	481	9
		2	66G	2
		2	701	275
		2	702	1
		2	693A	129
		2	767A	8
		2	782A	8
		2	797A	8
		2	812A	40
		2	843A	8
		2	858A	8
		2	873A	8
		2	888A	15
		2	909A	8
		2	919A	8
		2	933A	8
	2	949A	8	
	2	969A	8	
	4	410	141	
	5	370	280	
	6	43	57	
	6	371	1	
	6	393	7	

# 57-53-27

 ILLUSTRATED PARTS LIST  
 01.1 Page 1017  
 Mar 01/05



PART NUMBER	AIRLINE PART NO.	FIG.	ITEM	TTL REQ
BACB30NN3K6		6	535	42
		6	603	46
		6	669	10
		6	715	7
		6	763	6
		6	831	12
		7	44	56
		7	364	1
		7	392	7
		7	542	42
		7	606	46
		7	670	10
		7	722	7
		7	770	6
		7	834	12
		8	122	10
		8	239	12
		8	338	10
		8	431	12
		8	530	9
		8	806	129
		8	821	275
		8	824	1
		9	35	8
		9	85	40
		9	185	8
		9	235	8
		9	285	8
		9	335	15
		9	430	8
		9	480	8
		9	530	8
		9	580	8
	9	630	8	
BACB30NN3K7		3	30	21
		3	75	2
		3	120	25
		3	123	1
		3	180	13
		3	230	27
		3	275	2

# 57-53-27

 ILLUSTRATED PARTS LIST  
 01.1 Page 1018  
 Mar 01/05


**BOEING**  
 COMPONENT  
 MAINTENANCE MANUAL

PART NUMBER	AIRLINE PART NO.	FIG.	ITEM	TTL REQ
BACB30NN3K8		2	693	
		2	703	
		2	767	
		2	782	
		2	797	
		2	812	
		2	843	
		2	858	
		2	873	
		2	888	
		2	909	
		2	919	
		2	933	
		2	949	
	2	969		
BACB30NN4K16		1	684	12
		6	519	12
		7	516	12
BACB30NN4K7		2	889	1
		2	812G	2
		9	90	2
		9	340	1

# 57-53-27

ILLUSTRATED PARTS LIST

01.1 Page 1019

Mar 01/05

PART NUMBER	AIRLINE PART NO.	FIG.	ITEM	TTL REQ	
BACB30NN4K9		1	365	1	
		1	403	1	
		1	493		
		1	509		
		1	530		
		1	567		
		1	601		
		1	738	8	
		1	771	2	
		1	823	12	
		1	738G	10	
		2	65	8	
		2	203		
		2	235		
		2	299	8	
		2	363	10	
		2	479	2	
		2	65G	2	
		2	675	2	
		4	25	6	
		4	80	2	
		4	135	2	
		4	275	1	
		4	345	1	
		5	295	2	
		5	365	3	
		6	369	1	
		6	395	1	
		6	671	10	
		6	713	2	
		6	765	12	
		7	362	1	
		7	394	1	
		7	672	10	
		7	720	2	
		7	772	12	
		7	829A	2	
		8	116	8	
		8	119	2	
		8	236	8	
	BACB30NN4K9		8	341	10
			8	527	2
		8	773	2	
BACB30NR4K14		2	411	2	
		8	428	2	
BACB30NR4K5		1	555		
		4	215	2	

# 57-53-27

 ILLUSTRATED PARTS LIST  
 01.1 Page 1020  
 Mar 01/05


**BOEING**  
 COMPONENT  
 MAINTENANCE MANUAL

PART NUMBER	AIRLINE PART NO.	FIG.	ITEM	TTL REQ
BACB30NR4K6		1	557	
		1	681	10
		4	220	2
		6	511	10
		7	510	10
BACB30NR4K8		1	676	2
		6	499	2
		7	500	2
BACB30NT3K4		1	337	
BACB30NT3K6		1	337A	4
		6	337	4
		7	338	4
BACB30NW6K3		1	397	2
		2	477	2
		6	389	2
		7	388	2
		8	524	2
BACB30NW6K4		1	623	
		1	739	14
		1	769	2
		1	825	10
		1	879	14
		2	57	18
		2	351	4
		2	403	16
		4	380	68
		6	676	14
		6	711	2
		6	767	10
		6	833	14
		7	674	14
		7	718	2
		7	774	10
		7	836	14
		8	95	18
		8	323	4
		8	410	16
	1	363	1	
	1	619		
	2	691	54	
	2	705	12	
	4	370	1	
	6	367	1	
	7	360	1	
	7	646A	20	
	8	800	54	
	8	830	12	

57-53-27

 ILLUSTRATED PARTS LIST  
 01.1 Page 1020A  
 Mar 01/05

PART NUMBER	AIRLINE PART NO.	FIG.	ITEM	TTL REQ
BACB30NW6K6		1	453	2
		1	489	
		1	547	
		1	573	
		1	595	
		1	617	
		1	728	20
		1	740	2
		1	767	1
		2	56	2
		2	225	
		2	692	20
		4	8	8
		4	195	2
		4	265	1
		4	305	1
		4	365	5
		5	345	68
		5	355	63
		6	451	2
		6	641	20
		6	673	2
		6	709	1
		7	452	2
		7	646	20
		7	676	2
		7	716	1
		8	92	2
BACB30NW6K7		1	457	2
		1	621	
		4	375	3
		6	455	2
BACB30NW6K8		7	454	2
		2	223	
		2	291	4
		2	349	4
		5	340	2
BACB30NW6K9		8	224	4
		8	320	4
		1	827	2
		2	347	2
	6	769	2	
	7	776	2	
	8	317	2	

# 57-53-27

 ILLUSTRATED PARTS LIST  
 01.1 Page 1020B  
 Mar 01/05


**BOEING**  
 COMPONENT  
 MAINTENANCE MANUAL

PART NUMBER	AIRLINE PART NO.	FIG.	ITEM	TTL REQ
BACB30NW8K10		1	881	4
		1	882	2
		2	395	2
		6	835	6
		7	838	4
		7	840	2
		8	398	2
		8	398	2
BACB30NW8K5		1	829	2
		2	690	4
		6	771	2
		7	778	2
		8	797	4
BACB30NW8K6		1	529	
		1	741	5
		2	55	1
		4	105	2
		6	675	5
		7	678	5
		8	89	1
		8	89	1
BACB30NW8K7		1	883	4
		2	401	4
		2	475	1
		6	837	4
		7	842	4
		8	407	4
		8	407	4
		8	521	1

# 57-53-27

 ILLUSTRATED PARTS LIST  
 01.1 Page 1020C  
 Mar 01/05

PART NUMBER	AIRLINE PART NO.	FIG.	ITEM	TTL REQ	
BACB30NW8K8		1	361	1	
		1	742	1	
		1	765	2	
		1	766		
		2	54	5	
		2	177		
		2	221		
		2	289	4	
		2	290		
		2	399	4	
		2	473	1	
		2	665	6	
		5	220	2	
		5	330	2	
		6	365	1	
		6	677	1	
		6	707	2	
		7	358	1	
		7	680	1	
		7	714	2	
		8	86	5	
		8	221	4	
		8	404	4	
		8	518	1	
		8	758	6	
	BACB30NW8K9		1	399	1
			1	831	6
			1	885	2
		2	345	2	
		2	397	2	
		6	391	1	
		6	773	6	
		6	839	2	
		7	390	1	
		7	780	6	
		7	844	2	
		8	314	2	
BACB30NY8K8		8	401	2	
		1	766A		
	2	290A			
BACB30US8K27		8	584C	2	
BACB30VT12K10		7	830A	2	
		8	422A	2	
BACB30VT6K5		7	340A	5	
BACB30VT6K6		7	450A	10	
BACB30VT6K8		8	413A	6	
BACB30VT8K12		8	416A	2	

# 57-53-27

 ILLUSTRATED PARTS LIST  
 01.1 Page 1020D  
 Mar 01/05


**BOEING**  
 COMPONENT  
 MAINTENANCE MANUAL

PART NUMBER	AIRLINE PART NO.	FIG.	ITEM	TTL REQ
BACB30VT8K8		8	425A	2
BACB30VT8K9		7	832A	6
		8	419A	6
BACB30YP6K4		7	836A	14
		8	410A	16
BACB30YP6K6		7	452A	2
BACB30YP6K7		7	454A	2
BACB30YP8K10		7	838A	4
		7	840A	2
		8	398A	2
BACB30YP8K7		7	842A	4
		8	407A	4
BACB30YP8K8		8	404A	4
BACB30YP8K9		7	844A	2
		8	401A	2
BACC30AB6S		1	749	16
		2	81	20
		2	115	32
BACC30AB8S		1	750	5
		2	83	4
		2	87G	1
		2	116A	8
BACC30BL12		7	862A	2
		8	479A	2
BACC30BL6		7	344A	5
		7	460A	14
		7	864A	14
		8	473A	22
BACC30BL8		7	866A	16
		7	868A	2
		8	476A	16
		8	482A	2
BACC30BQ8		8	477A	4
BACC30M10		1	523	
		1	541	
		1	903	2
		2	549	1
		2	443G	2
		4	75	2
		4	130	4
		8	479	2
		8	632	1
BACC30M12		1	903A	2
		6	841	2
		7	862	2

57-53-27

 ILLUSTRATED PARTS LIST  
 01.1 Page 1020E  
 Mar 01/05



PART NUMBER	AIRLINE PART NO.	FIG.	ITEM	TTL REQ
BACC30M5		1	279	2
		6	283	2
		7	284	2
BACC30M6		1	343	5
		1	373	1
		1	417	2
		1	463	14
		1	497	
		1	549	
		1	579	
		1	597	
		1	611	
		1	643	
		1	730	40
		1	797	11
		1	851	12
		1	905	14
		1	927	12
		1	324K	2
		1	328K	2
		1	749G	16
		2	85	20
		2	86	
		2	147	
		2	159	
		2	171	
		2	193	
		2	209	
		2	229	
		2	251	
	2	313	18	
	2	335	22	
	2	377	30	
	2	441	22	
	2	463	14	
	2	497	2	
	2	559	5	
	2	64N	12	
	2	655	42	
	2	695	74	
	2	707	12	
	2	721	30	
	2	761	55	

# 57-53-27

 ILLUSTRATED PARTS LIST  
 01.1 Page 1020F  
 Mar 01/05


**BOEING**  
 COMPONENT  
 MAINTENANCE MANUAL

PART NUMBER	AIRLINE PART NO.	FIG.	ITEM	TTL REQ
BACC30M6		2	115G	9
		2	115N	22
		2	679A	4
		4	10	8
		4	200	2
		4	270	5
		4	310	2
		4	340	1
		4	405	206
		5	10	1
		5	25	2
		5	50	2
		5	80	2
		5	120	2
		5	144	30
		5	250	14
		5	280	1
		5	350	70
		5	360	63
		5	390	113
		5	415	2
		6	343	5
		6	373	1
		6	411	2
		6	457	14
		6	645	40
		6	691	16
		6	739	8
		6	793	12
		6	843	14
		6	849	12
		6	324K	2
		7	344	5
		7	370	1
	7	410	2	
	7	460	14	
	7	650	40	
	7	694	16	
	7	746	11	
	7	800	12	

# 57-53-27

 ILLUSTRATED PARTS LIST  
 01.1 Page 1020G  
 Mar 01/05

PART NUMBER	AIRLINE PART NO.	FIG.	ITEM	TTL REQ
BACC30M6		7	864	14
		7	880	12
		8	113	13
		8	146	20
		8	182	9
		8	185	22
		8	257	18
		8	296	22
		8	362	30
		8	473	22
		8	503	14
		8	554	2
		8	647	5
		8	743	42
		8	779	4
		8	812	74
		8	833	12
8	851	30		
9	20	47		

# 57-53-27

 ILLUSTRATED PARTS LIST  
 01.1 Page 1020H  
 Mar 01/05


**BOEING**  
 COMPONENT  
 MAINTENANCE MANUAL

PART NUMBER	AIRLINE PART NO.	FIG.	ITEM	TTL REQ
BACC30M8		1	371	1
		1	419	1
		1	499	
		1	521	
		1	539	
		1	609	
		1	751	1
		1	799	2
		1	853	8
		1	907	16
		1	908	2
		1	751G	6
		2	87	1
		2	88	1
		2	135	
		2	191	
		2	207	
		2	227	
		2	253	
		2	315	4
		2	379	2
		2	443	20
		2	444	2
		2	499	2
		2	547	2
		2	64G	2
		2	669	14
		2	694	4
		2	85G	4
		2	116G	8
		4	20	4
		4	60	6
		4	120	14
	4	330	1	
	5	153	2	
	5	225	2	
	5	290	1	
	5	335	2	
	5	400	1	
	6	375	1	

# 57-53-27

 ILLUSTRATED PARTS LIST  
 01.1 Page 1020I  
 Mar 01/05

PART NUMBER	AIRLINE PART NO.	FIG.	ITEM	TTL REQ
BACC30M8		6	413	1
		6	693	6
		6	741	2
		6	795	8
		6	845	18
		7	368	1
		7	412	1
		7	696	6
		7	748	2
		7	802	8
		7	866	16
		7	868	2
		8	110	2
		8	149	4
		8	152	1
		8	188	8
		8	260	4
		8	365	2
		8	476	16
		8	477	4
		8	482	2
		8	557	2
		8	629	2
	8	764	14	
	8	809	4	
BACC30N7		8	258	4
BACC30X6		5	360A	63
BACF3TT03H8-8		6	727	1
BACF3T02C10F22		2	205	
		5	300	1
BACF3T03H8-8		1	785A	1
		7	734	1
BACF3T04D9-40		2	483	1
		8	533	1
BACF3T07F10F22		2	206	
		5	300A	1
BACN10HR5CS		1	85	2
		1	123	2
		1	161	
		1	261	1
		6	79	2
		6	119	2
		6	263	1
		7	80	2
		7	118	2
		7	260	1
BACN10HR8CD		8	599C	2

57-53-27

 ILLUSTRATED PARTS LIST  
 01.1 Page 1020J  
 Mar 01/05


**BOEING**  
 COMPONENT  
 MAINTENANCE MANUAL

PART NUMBER	AIRLINE PART NO.	FIG.	ITEM	TTL REQ
BACN10JC10		2	13	2
		8	17	2
BACN10JC10CD		8	17A	2
BACN10JC3		1	708U	34
		6	541	34
BACN10JC3CM		7	548	34
		2	324	2
		8	272	2
BACN10JC4		1	561	
		1	678	2
		1	683	10
		1	686	12
		4	235	4
		6	503	2
		6	515	10
		6	523	12
		7	504	2
		7	514	10
BACN10JC4CM		7	520	12
		2	445	2
		8	485	2
BACN10JC5CM		1	161A	
BACN10JD5ASU		1	161B	2
		6	159	2
		7	158	2

# 57-53-27

 ILLUSTRATED PARTS LIST  
 01.1 Page 1020K  
 Mar 01/05

PART NUMBER	AIRLINE PART NO.	FIG.	ITEM	TTL REQ
BACN10JQ32		1	61	8
		1	345	
		1	646	
		2	575	3
		2	901	
		2	771G	1
		2	784A	1
		2	799A	1
		2	815A	16
		2	845A	1
		2	860A	1
		2	875A	1
		2	893A	1
		2	902A	1
		2	911A	1
		2	921A	1
		2	935A	1
		2	953A	1
		2	973A	1
		4	460	1
		6	47	8
		7	52	8
		8	671	3
		9	55	1
		9	110	16
		9	195	1
		9	245	1
		9	295	1
		9	360	1
		9	395	1
	9	440	1	
	9	490	1	
	9	540	1	
	9	590	1	
	9	640	1	

# 57-53-27

 ILLUSTRATED PARTS LIST  
 01.1 Page 1020L  
 Mar 01/05


**BOEING**  
 COMPONENT  
 MAINTENANCE MANUAL

PART NUMBER	AIRLINE PART NO.	FIG.	ITEM	TTL REQ
BACN10JQ33		1	801	2
		2	814	
		2	770A	1
		2	785A	1
		2	800A	1
		2	816A	26
		2	846A	1
		2	861A	1
		2	876A	1
		2	894A	1
		2	903A	6
		2	912A	1
		2	922A	1
		2	936A	1
		2	955A	1
		2	975A	1
		6	745	2
		7	750	2
		9	45	1
		9	115	26
		9	200	1
		9	250	1
		9	300	1
		9	365	1
		9	400	6
		9	445	1
		9	495	1
		9	545	1
		9	595	1
		9	645	1

# 57-53-27

 ILLUSTRATED PARTS LIST  
 01.1 Page 1020M  
 Mar 01/05



PART NUMBER	AIRLINE PART NO.	FIG.	ITEM	TTL REQ
BACN10JQ34		2	784	
		2	799	
		2	815	
		2	845	
		2	860	
		2	875	
		2	893	
		2	902	
		2	911	
		2	921	
		2	935	
		2	953	
		2	973	
		2	771A	6
		2	786A	6
		2	801A	6
		2	847A	6
		2	862A	6
		2	877A	6
		2	895A	6
		2	913A	6
		2	923A	6
		2	937A	6
		2	957A	6
		2	977A	6
		9	50	6
		9	205	6
		9	255	6
		9	305	6
		9	370	6
	9	450	6	
	9	500	6	
	9	550	6	
	9	600	6	
	9	650	6	

# 57-53-27

 ILLUSTRATED PARTS LIST  
 01.1 Page 1020N  
 Mar 01/05


**BOEING**  
 COMPONENT  
 MAINTENANCE MANUAL

PART NUMBER	AIRLINE PART NO.	FIG.	ITEM	TTL REQ
BACN10JQ35		2	770	
		2	785	
		2	800	
		2	816	
		2	846	
		2	861	
		2	876	
		2	894	
		2	903	
		2	912	
		2	922	
		2	936	
		2	955	
		2	975	
	BACN10JQ36		2	771
		2	786	
		2	801	
		2	847	
		2	862	
		2	877	
		2	895	
		2	913	
		2	923	
		2	937	
BACN10JQ4		2	957	
		2	977	
		4	150A	2

# 57-53-27

 ILLUSTRATED PARTS LIST  
 01.1 Page 10200  
 Mar 01/05

PART NUMBER	AIRLINE PART NO.	FIG.	ITEM	TTL REQ	
BACN10JQ42		1	425	2	
		1	752	1	
		1	803	1	
		1	855	10	
		1	866	6	
		2	45	1	
		2	261		
		2	283	8	
		2	381	10	
		2	389	10	
		2	814A	2	
		2	901A	1	
		5	450	1	
		6	423	2	
		6	697	1	
		6	747	1	
		6	799	10	
		6	815	6	
		7	420	2	
		7	698	1	
		7	752	1	
		7	804	10	
		7	818	6	
		8	65	1	
		8	206	8	
		8	368	10	
		8	386	10	
		9	105	2	
		9	390	1	
	BACN10JQ43		1	805	1
			1	867	4
			2	47	4
			2	257	
		2	501	1	
		5	440	6	
		6	749	1	
		6	817	4	
		7	754	1	
		7	820	4	
BACN10JQ43CM		8	68	4	
		8	560	1	
		2	46	4	

**57-53-27**

 ILLUSTRATED PARTS LIST  
 01.1 Page 1020P  
 Mar 01/05


**BOEING**  
 COMPONENT  
 MAINTENANCE MANUAL

PART NUMBER	AIRLINE PART NO.	FIG.	ITEM	TTL REQ	
BACN10JQ44		1	644		
		1	857	2	
		1	530J		
		1	753G	9	
		2	49	3	
		2	51N	2	
		2	681	2	
		4	150	2	
		4	450	8	
		6	699	9	
		6	801	2	
		7	700	9	
		7	806	2	
		8	71	3	
		8	77	2	
		8	782	2	
	BACN10JQ44CM		1	753	7
			2	48	3
	BACN10JR3F		1	697	14
			1	701	31
		1	716	16	
		1	720	30	
		1	709D	14	
		1	709J	27	
		1	709N	1	
		6	557	14	
		6	567	27	
		6	577	1	
		6	621	16	
		6	629	30	
		7	564	14	
		7	574	27	
		7	582	1	
BACN10KE3B2		7	622	16	
		7	630	30	
		1	422	1	
		1	645		
		2	51	10	
		2	263		
		2	733	143	
		4	455	1	
		5	455	276	
		6	419	1	
		7	416	1	
		8	74	10	
		8	875	143	

# 57-53-27

 ILLUSTRATED PARTS LIST  
 01.1 Page 1020Q  
 Mar 01/05

PART NUMBER	AIRLINE PART NO.	FIG.	ITEM	TTL REQ
BACN10KE3B3		1	423	5
		1	647	
		1	807	3
		1	859	6
		1	868	12
		1	943	17
		1	969	17
		1	754G	10
		2	284	12
		2	383	10
		2	390	12
		2	505	7
		4	465	133
		6	421	5
		6	701	10
		6	751	3
		6	803	6
		6	819	12
		6	889	17
		6	907	17
		7	418	5
		7	702	10
		7	756	3
		7	808	6
		7	822	12
		7	894	17
		7	912	17
		8	209	12
		8	371	10
		8	389	12
	8	566	7	
BACN10KE3B3CM		1	754	12
		2	50	10
		2	51G	2

# 57-53-27

 ILLUSTRATED PARTS LIST  
 01.1 Page 1020R  
 Mar 01/05


**BOEING**  
 COMPONENT  
 MAINTENANCE MANUAL

PART NUMBER	AIRLINE PART NO.	FIG.	ITEM	TTL REQ	
BACN10KE3B4		1	62	52	
		2	732	1	
		2	731A	261	
		3	60	17	
		3	100	2	
		3	145	19	
		3	147	1	
		3	205	10	
		3	255	25	
		3	300	2	
		6	49	52	
		7	54	52	
		8	866	261	
		8	869	1	
	BACN10KE3B5		2	731	
	BACN10KE3B6		2	732G	3
		8	872	3	
BACN10KE3E2		2	259		
		5	445	4	
BACN10KE3E3		1	421	2	
		1	649		
		1	809	2	
		2	503	2	
		4	470	6	
		6	417	2	
		6	753	2	
		7	414	2	
		7	758	2	
		8	563	2	
BACN10KE3E4		1	63B	1	
		3	55	4	
		3	150	6	
		3	210	3	
		3	260	2	
		6	51	1	
		7	56	1	
BACN10KE3E6		1	63A		
BACN10YF42		8	386A	10	
BACN10YF43		7	818B	6	
		7	820B	4	
BACP18BC05A24P		8	32A	1	

57-53-27

 ILLUSTRATED PARTS LIST  
 01.1 Page 1020S  
 Mar 01/05

PART NUMBER	AIRLINE PART NO.	FIG.	ITEM	TTL REQ
BACR15BA3AD		1	64	122
		1	347	
		1	427	20
		1	651	
		1	811	18
		1	861	36
		1	865	44
		1	945	34
		1	971	34
		1	530G	
		2	44	40
		2	282	40
		2	385	40
		2	388	44
		2	507	20
		2	577	6
		2	683	4
		2	735	808
		2	736	8
		2	772	16
		2	787	16
		2	802	16
		2	817	88
		2	848	16
		2	863	16
		2	878	16
		2	896	16
		2	904	16
		2	914	16
		2	924	16
		2	939	16
		2	959	16
		2	979	16
	3	65	42	
	3	105	4	
	3	155	50	
	3	157	2	
	3	215	26	
	3	265	54	
	3	305	4	

# 57-53-27

 ILLUSTRATED PARTS LIST  
 01.1 Page 1020T  
 Mar 01/05


**BOEING**  
 COMPONENT  
 MAINTENANCE MANUAL

PART NUMBER	AIRLINE PART NO.	FIG.	ITEM	TTL REQ
BACR15BA3AD		4	145	4
		4	445	302
		5	435	574
		6	45	122
		6	415	20
		6	743	18
		6	797	36
		6	813	44
		6	887	34
		6	905	34
		7	58	122
		7	422	20
		7	760	18
		7	810	36
		7	816	44
		7	896	34
		7	914	34
		8	62	40
		8	203	40
		8	374	40
		8	383	44
		8	569	20
		8	674	6
		8	785	4
		8	878	808
		9	60	16
		9	120	88
		9	210	16
		9	260	16
		9	310	16
		9	375	16
		9	405	16
		9	455	16
	9	505	16	
	9	555	16	
	9	605	16	
	9	655	16	
BACR15BA3KE		2	265	

# 57-53-27

 ILLUSTRATED PARTS LIST  
 01.1 Page 1020U  
 Mar 01/05



PART NUMBER	AIRLINE PART NO.	FIG.	ITEM	TTL REQ	
BACR15BA6AD		1	232	4	
		1	635		
		1	733	24	
		1	731G	5	
		4	425	112	
		6	251	4	
		6	651	5	
		6	657	24	
		7	234	4	
		7	656	5	
		7	662	24	
		7	664M	4	
	BACR15BB5AD		1	734	
	BACR15BB6AD		2	565	1
		8	656	1	
BACR15CE3AD		1	698	28	
		1	703	62	
		1	717	32	
		1	721	60	
		1	709C	28	
		1	709H	54	
		1	709P	2	
		6	555	28	
		6	565	54	
		6	575	2	
		6	619	32	
		6	627	60	
		7	562	28	
		7	572	54	
	7	584	2		
	7	624	32		
	7	632	60		
BACR15CE3M		1	755	40	
		1	738L		
		2	43G	40	
		6	695	40	
		7	704	40	
BACR15CE5KE		2	15G	4	
BACR15CE6AD		1	451	4	
		1	633		
		2	567		
		4	420	154	
		6	449	4	
		7	448	4	

# 57-53-27

 ILLUSTRATED PARTS LIST  
 01.1 Page 1020V  
 Mar 01/05


**BOEING**  
 COMPONENT  
 MAINTENANCE MANUAL

PART NUMBER	AIRLINE PART NO.	FIG.	ITEM	TTL REQ	
BACR15CE6KE		1	405	8	
		1	641		
		2	219		
		2	344	18	
		2	469	10	
		2	689	158	
		4	440	134	
		6	397	8	
		7	396	8	
		8	311	18	
		8	512	10	
		8	794	158	
	BACR15CE6KE4		1	779	8
			2	287	22
		6	721	8	
		7	728	8	
		8	218	22	
BACR15FT5KE		1	734A	24	
		6	659	24	
		7	664	24	
BACR15FT6AD		1	639		
		2	241		
		2	645	45	
		2	673	6	
		2	711	277	
		4	435	32	
		8	728	45	
		8	770	6	
		8	839	277	
	BACR15FT6D		1	607	
		1	637		
		2	643		
		2	715		

57-53-27

 ILLUSTRATED PARTS LIST  
 01.1 Page 1020W  
 Mar 01/05

PART NUMBER	AIRLINE PART NO.	FIG.	ITEM	TTL REQ
BACR15FT6KE		1	381	9
		1	406	7
		1	575	
		1	607A	
		1	637A	
		2	129	
		2	141	
		2	153	
		2	165	
		2	243	
		2	471	7
		2	647	15
		2	713	76
		2	643A	3
		4	280	3
		4	350	4
		4	430	235
		5	15	1
		5	55	4
		5	85	4
		5	125	5
		5	155	79
		5	375	262
		6	357	9
		6	399	7
		7	372	9
		7	398	7
		7	664T	4
		8	515	7
		8	725	3
		8	731	15
		8	842	76
	BACR15FT6KE3C		5	30
BACR15FT8AD		2	239	
		2	709	5
BACS40B19C30F		8	836	5
		1	743	1
		6	679	1
BACS40R008C374F		7	682	1
		7	46A	1
		7	664F	12
		7	51	1
		7	50A	1
		7	458A	2
		7	846A	1
		8	452A	2
		7	848A	2
	BACS40R011C029F		7	848A

57-53-27

 ILLUSTRATED PARTS LIST  
 01.1 Page 1020X  
 Mar 01/05


**BOEING**  
 COMPONENT  
 MAINTENANCE MANUAL

PART NUMBER	AIRLINE PART NO.	FIG.	ITEM	TTL REQ
BACS4OR012C022F		7	850A	2
		8	456A	2
BACS4OR012C026F		8	461A	3
BACS4OR012C075F		7	48A	1
BACS4OR013C022F		7	852A	1
		8	464A	1
BACS4OR013C029F		7	854A	1
BACS4OR014C029F		7	856A	
BACS4OR015C026F		8	458A	1
BACS4OR015C029F		7	856C	1
BACS4OR015D015F		7	304A	2
BACS4OR015D017F		7	302A	2
BACS4OR016C026F		8	467A	1
BACS4OR016D026F		8	470A	1
BACS4OR019C022F		7	858A	1
BACS4OR020A024A		7	366	2
BACS4OR020C022F		8	449A	1
BACS4OR020C024F		7	456A	1
BACS4OR020C025F		2	667A	1
		8	761	2
BACS4OR022C051F		7	860C	1
BACS4OR051C022F		7	860A	
BACS4OR07C16F		2	187	
		5	255	2
BACS4OR08C08F		1	679	2
		1	789	2
		6	505	2
		6	731	2
		7	506	2
		7	738	2
BACS4OR08C09F		1	791	1
		6	733	1
		7	740	1
BACS4OR08C10F		1	787	3
		2	485	2
		6	729	3
		7	736	3
		8	536	2
BACS4OR08C21F		2	371	2
		8	353	2
BACS4OR08C22F		2	307	3
		8	248	3
BACS4OR08C24F		1	744	1
		6	681	1
		7	684	1
BACS4OR08C27F		2	67	1
		8	125	1

57-53-27

 ILLUSTRATED PARTS LIST  
 01.1 Page 1020Y  
 Mar 01/05

PART NUMBER	AIRLINE PART NO.	FIG.	ITEM	TTL REQ
BACS4OR08C374F		1	58A	1
		6	53	1
		7	46	
BACS4OR08D27F		1	632G	
		4	415	1
BACS4OR08E15F		1	228	AR
		6	253	AR
		7	228	AR
BACS4OR09C10F		1	793	1
		6	735	1
		7	742	1
BACS4OR09C12F		2	768	1
		2	783	1
		2	798	1
		2	844	1
		2	859	1
		2	874	1
		2	910	1
		2	920	1
		2	934	1
		2	951	1
		2	971	1
		9	40	1
		9	190	1
		9	240	1
		9	290	1
		9	435	1
		9	485	1
		9	535	1
		9	585	1
		9	635	1
1	833	1		
2	365	3		
6	775	1		
7	782	1		
8	344	3		
BACS4OR09C22F		1	745	1
		2	303	2
		6	683	1
		7	686	1
BACS4OR09C24F		8	242	2
		1	746	1
		6	685	1
BACS4OR09C27F		7	688	1
		2	69	2
		8	128	2

# 57-53-27

 ILLUSTRATED PARTS LIST  
 01.1 Page 1020Z  
 Mar 01/05


**BOEING**  
 COMPONENT  
 MAINTENANCE MANUAL

PART NUMBER	AIRLINE PART NO.	FIG.	ITEM	TTL REQ
BACS40R10B100F		1	411	1
		6	405	1
		7	404	1
BACS40R10B120F		2	487	1
		8	539	1
BACS40R10C10F		1	60	1
		1	369	2
		1	687	12
		6	57	1
		6	388	2
		6	525	12
		7	50	
BACS40R10C100F		7	522	12
		1	413	1
		6	407	1
		7	406	1
BACS40R10C12F		1	747	1
		2	71	1
		6	687	1
		7	690	1
		8	131	1
		2	489	1
BACS40R10C120F		8	542	1
		1	577	
		4	285	1
BACS40R10C21F		1	835	1
		2	373	1
		6	777	1
		7	784	1
		8	356	1
		1	461	2
		1	748	1
BACS40R10C22F		2	305	1
		6	473	2
		6	689	1
		7	458	
		7	692	1
		8	245	1
BACS40R10C30F		1	837	1
		6	779	1
		7	786	1
		1	495	
BACS40R10C40F		4	30	2
		2	73	3
BACS40R11C12F		2	890	1
		8	134	3
		9	345	1

57-53-27

 ILLUSTRATED PARTS LIST  
 01.1 Page 1021  
 Mar 01/05

PART NUMBER	AIRLINE PART NO.	FIG.	ITEM	TTL REQ
BACS4OR11C21F		1	839	1
		2	369	2
		6	781	1
		7	788	1
		8	350	2
BACS4OR11C22F		1	887	1
		2	311	2
		2	427	2
		6	859	1
		7	846	1
BACS4OR11C27F		8	254	2
		8	452	2
		2	75	1
BACS4OR11C29F		8	137	1
		1	889	2
BACS4OR12C16F		6	861	2
		7	848	2
		1	519	
BACS4OR12C20F		4	90	2
		2	813	2
BACS4OR12C21F		9	100	2
		1	841	1
		2	375	1
		6	783	1
		7	790	1
BACS4OR12C22F		8	359	1
		1	891	2
		2	429	2
		6	863	2
		7	850	2
BACS4OR12C26F		8	456	2
		2	433	3
		8	461	3
BACS4OR12C28F		1	843	1
		6	785	1
		7	792	1
BACS4OR12C75F		1	59	1
		6	55	1
		7	48	
BACS4OR13C22F		1	893	1
		2	435	1
		6	865	1
		7	852	1
		8	464	1
BACS4OR13C29F		1	895	1
		6	867	1
		7	854	1

# 57-53-27

 ILLUSTRATED PARTS LIST  
 01.1 Page 1022  
 Mar 01/05


**BOEING**  
 COMPONENT  
 MAINTENANCE MANUAL

PART NUMBER	AIRLINE PART NO.	FIG.	ITEM	TTL REQ
BACS40R13D16F		2	189	
		5	260	2
BACS40R14C29F		1	897	1
		6	869	1
		7	856	
BACS40R14C33F		1	845	1
		6	787	1
		7	794	1
BACS40R15C26F		2	431	1
		8	458	1
BACS40R15C29F		7	856B	1
BACS40R15D15F		1	299	2
		6	335	2
		7	304	2
BACS40R15D17F		1	297	2
		6	333	2
		7	302	2
BACS40R16C26F		2	437	1
		8	467	1
BACS40R16D26F		2	439	1
		8	470	1
BACS40R17C33F		1	847	1
		6	789	1
		7	796	1
BACS40R18C16F		1	537	
		4	140	4
BACS40R19C22F		1	899	1
		6	871	1
		7	858	1
BACS40R19C28F		1	849	1
		6	791	1
		7	798	1
BACS40R20C22F		2	425	1
		8	449	1
BACS40R20C50F		2	667	1
BACS40R22C51F		7	860B	1
BACS40R23C16F		1	517	
		4	85	2
BACS40R24C10F		2	495	1
		8	551	1
BACS40R24C20F		1	459	1
		6	471	1
		7	456	
BACS40R24E21F		2	367	1
		8	347	1
BACS40R25D09F		2	493	1
		8	548	1

57-53-27

 ILLUSTRATED PARTS LIST  
 01.1 Page 1022A  
 Mar 01/05



PART NUMBER	AIRLINE PART NO.	FIG.	ITEM	TTL REQ
BACS40R27C10F		2	491	1
		8	545	1
BACS40R27C29F		2	77	1
		8	140	1
BACS40R29C08F		1	795	1
		6	737	1
		7	744	1
BACS40R29C30F		2	79	1
BACS40R29C58F		2	80	1
		8	143	1
BACS40R30D10F		1	415	1
		6	409	1
		7	408	1
BACS40R40C22F		2	309	1
		8	251	1
BACS40R51C22F		1	901	1
		6	873	1
		7	860	
BACW10BP10C		2	9	2
		8	11	2
BACW10BP10CD		8	11A	2
BACW10BP10DP		8	14A	AR
BACW10BP10P		2	11	AR
		8	14	AR
BACW10BP3CD		2	323	2
		8	269	2
BACW10BP3DP		2	322	2
		8	266	2
BACW10BP4APU		1	69	1
		1	107	1
		6	63	1
		6	101	1
		7	64	1
		7	102	1
BACW10BP4CD		1	559	
		2	421	2
		4	225	4
		8	443	2
BACW10BP4DP		1	560	
		2	423	2
		4	230	4
		8	446	2

# 57-53-27

 ILLUSTRATED PARTS LIST  
 01.1 Page 1022B  
 Mar 01/05


**BOEING**  
 COMPONENT  
 MAINTENANCE MANUAL

PART NUMBER	AIRLINE PART NO.	FIG.	ITEM	TTL REQ
BACW10BP5ACU		1	77	2
		1	115	2
		6	71	2
		6	111	2
		7	72	2
		7	110	2
		7	110	2
BACW10BP5APU		1	253	1
		6	259	1
		7	256	1
BACW10BP5CD		1	251	1
		1	293	4
		6	257	1
		6	297	4
		7	254	1
		7	298	4
		7	298	4
BACW10BP5DP		1	79	2
		1	117	2
		1	295	4
		6	73	2
		6	113	2
		6	299	4
		7	74	2
		7	112	2
		7	300	4
		7	300	4
BACW10BP7AP		1	180	2
		6	181	2
		7	178	2
BACW10BP8ACU		1	181	2
		6	183	2
		7	180	2
BACW10BP8APU		8	589	AR
BACW10BP8CD		2	519	2
		8	587	2
BACW10BP8DP		2	521	2
		8	590	2
BACW10CA104CC		1	407	1
		1	781	1
		2	417	4
		6	401	1
		6	723	1
		7	400	1
		7	730	1
		8	437	4

57-53-27

 ILLUSTRATED PARTS LIST  
 01.1 Page 1022C  
 Mar 01/05

PART NUMBER	AIRLINE PART NO.	FIG.	ITEM	TTL REQ
BACW10CA104CV		1	409	1
		1	783	1
		2	419	4
		6	403	1
		6	725	1
		7	402	1
		7	732	1
		8	440	4
BACW10CA5CC		1	221	4
		6	223	4
		7	220	4
BACW10CA5CV		1	223	4
		6	225	4
		7	222	4
BACW10CA7CC		1	225	2
		6	227	2
		7	224	2
BACW10CA7CV		1	227A	2
		6	229	2
		7	226	2
BACW10CA8CC		8	587A	2
BACW10CA8CV		8	590A	2
BCREFA2586		1	286D	1
BCREFA2587		1	288D	1
BCREFA2588		1	303B	1
BCREFA2589		1	310A	1
		1	305B	1
		1	310H	1
BCREFA2590		1	324	1
		1	328	1
BCREFA2591		1	325B	1
		1	332A	1
BCREFA2592		1	327B	1
		1	332H	1
BCREFA2593		6	289C	1
BCREFA2594		6	291C	1
BCREFA2595		6	303A	1
BCREFA2596		6	307A	1
		6	305A	1
		6	309A	1
		6	324	1
BCREFA2597		6	325A	1
BCREFA2598		6	329A	1
BCREFA2599		6	327A	1
		6	331A	1

# 57-53-27

 ILLUSTRATED PARTS LIST  
 01.1 Page 1022D  
 Mar 01/05


**BOEING**  
 COMPONENT  
 MAINTENANCE MANUAL

PART NUMBER	AIRLINE PART NO.	FIG.	ITEM	TTL REQ	
BH00303-5		1	85	2	
		1	123	2	
		1	261	1	
		6	79	2	
		6	119	2	
		6	263	1	
		7	80	2	
		7	118	2	
		7	260	1	
	BH00303CM8		8	599C	2
			1	85	2
	BH003035		1	123	2
			1	261	1
		6	79	2	
		6	119	2	
		6	263	1	
		7	80	2	
		7	118	2	
		7	260	1	
BMN10HRCWD3-8			8	599C	2
			1	85	2
BMN10HRRCPD3-5			1	123	2
			1	261	1
			6	79	2
		6	119	2	
		6	263	1	
		7	80	2	
		7	118	2	
		7	260	1	
	BMN4122AD3-10		2	13	2
			8	17	2
	BMN4122A10		2	13	2
			8	17	2
	BMN4122CPD8-10		8	17A	2
		1	85	2	
BMN5024CPD3-5		1	123	2	
		1	261	1	
		6	79	2	
		6	119	2	
		6	263	1	
		7	80	2	
		7	80	2	
		7	118	2	
		7	118	2	
		7	260	1	
		7	260	1	

57-53-27

 ILLUSTRATED PARTS LIST  
 01.1 Page 1022E  
 Mar 01/05

PART NUMBER	AIRLINE PART NO.	FIG.	ITEM	TTL REQ
BMN5024CPD35		1	85	2
		1	85	2
		1	123	2
		1	123	2
		1	261	1
		1	261	1
		6	79	2
		6	79	2
		6	119	2
		6	119	2
		6	263	1
		6	263	1
		7	80	2
		7	118	2
		7	260	1
		BMN5024CPD5		1
1	123			2
1	261			1
6	79			2
6	119			2
BMN5024CWD38		6	263	1
		8	599C	2

# 57-53-27

 ILLUSTRATED PARTS LIST  
 01.1 Page 1022F  
 Mar 01/05


**BOEING**  
 COMPONENT  
 MAINTENANCE MANUAL

PART NUMBER	AIRLINE PART NO.	FIG.	ITEM	TTL REQ
BRFM22A3-3		1	801	2
		2	770A	1
		2	785A	1
		2	800A	1
		2	816A	26
		2	846A	1
		2	861A	1
		2	876A	1
		2	894A	1
		2	903A	6
		2	912A	1
		2	922A	1
		2	936A	1
		2	955A	1
		2	975A	1
		6	745	2
		7	750	2
		9	45	1
		9	115	26
		9	200	1
		9	250	1
		9	300	1
		9	365	1
		9	400	6
		9	445	1
		9	495	1
		9	545	1
		9	595	1
		9	645	1

# 57-53-27

ILLUSTRATED PARTS LIST  
 01.1 Page 1022G  
 Mar 01/05

PART NUMBER	AIRLINE PART NO.	FIG.	ITEM	TTL REQ
BRFM22A4-3		2	771A	6
		2	786A	6
		2	801A	6
		2	847A	6
		2	862A	6
		2	877A	6
		2	895A	6
		2	913A	6
		2	923A	6
		2	937A	6
		2	957A	6
		2	977A	6
		9	50	6
		9	205	6
		9	255	6
		9	305	6
		9	370	6
		9	450	6
		9	500	6
		9	550	6
	9	600	6	
	9	650	6	
BRFM22A4-4		1	753G	9
BRFR120A3-2		5	445	4
BRFR120A3-3		1	421	2
		1	809	2
		2	503	2
		4	470	6
		6	417	2
		6	753	2
		7	414	2
		7	758	2
		8	563	2
BRFR120A3-4		1	63B	1
		3	55	4
		3	150	6
		3	210	3
		3	260	2
		6	51	1
		7	56	1

# 57-53-27

 ILLUSTRATED PARTS LIST  
 01.1 Page 1022H  
 Mar 01/05



**BOEING**  
 COMPONENT  
 MAINTENANCE MANUAL

PART NUMBER	AIRLINE PART NO.	FIG.	ITEM	TTL REQ	
BRFR220A3-2		1	422	1	
		2	51	10	
		2	733	143	
		4	455	1	
		5	455	276	
		6	419	1	
		7	416	1	
		8	74	10	
		8	875	143	
	BRFR220A3-3		1	423	5
			1	807	3
			1	859	6
			1	868	12
			1	943	17
		1	969	17	
		1	754G	10	
		2	284	12	
		2	383	10	
		2	390	12	
		2	505	7	
		4	465	133	
		6	421	5	
		6	701	10	
		6	751	3	
		6	803	6	
		6	819	12	
		6	889	17	
		6	907	17	
		7	418	5	
		7	702	10	
		7	756	3	
		7	808	6	
		7	822	12	
	7	894	17		
	7	912	17		
	8	209	12		
	8	371	10		
	8	389	12		
	8	566	7		

**57-53-27**

ILLUSTRATED PARTS LIST  
 01.1 Page 1022I  
 Mar 01/05



PART NUMBER	AIRLINE PART NO.	FIG.	ITEM	TTL REQ		
BRFR220A3-4		1	62	52		
		2	732	1		
		2	731A	261		
		3	60	17		
		3	100	2		
		3	145	19		
		3	147	1		
		3	205	10		
		3	255	25		
		3	300	2		
		6	49	52		
		7	54	52		
		8	866	261		
		8	869	1		
		BRFR220A3-6		2	732G	3
				8	872	3
BRFR220C3-3M		1	754	12		
		2	50	10		
BRF200A3		2	51G	2		
		1	697	14		
		1	701	31		
		1	716	16		
		1	720	30		
		1	709D	14		
		1	709J	27		
		1	709N	1		
		6	557	14		
		6	567	27		
		6	577	1		
		6	621	16		
		6	629	30		
		7	564	14		
		7	574	27		
		7	582	1		
7	622	16				
7	630	30				
BRH10A3		1	708U	34		
		6	541	34		
		7	548	34		

# 57-53-27

 ILLUSTRATED PARTS LIST  
 01.1 Page 1022J  
 Mar 01/05


**BOEING**  
 COMPONENT  
 MAINTENANCE MANUAL

PART NUMBER	AIRLINE PART NO.	FIG.	ITEM	TTL REQ	
BRH10A4		1	678	2	
		1	683	10	
		1	686	12	
		4	235	4	
		6	503	2	
		6	515	10	
		6	523	12	
		7	504	2	
		7	514	10	
		7	520	12	
	BRH10C3M		2	324	2
			8	272	2
	BRH10C4M		2	445	2
			8	485	2
B30MY10K10		1	873	2	
		2	408G	2	
		8	422	2	
B30MY10K20		2	545	1	
		8	626	1	
B30MY10K7		4	65	1	
		4	125	4	
B30MY10K8		4	70	1	
	B30MY12K10	1	873A	2	
6		827	2		
7		830	2		
B30MY5K12	1	277	2		
	6	281	2		
	7	282	2		
B30MY6K2	2	107	10		
	2	555	4		
	8	641	4		

# 57-53-27

 ILLUSTRATED PARTS LIST  
 01.1 Page 1022K  
 Mar 01/05

PART NUMBER	AIRLINE PART NO.	FIG.	ITEM	TTL REQ
B30MY6K3		1	777	3
		1	925	12
		1	324G	2
		1	328G	2
		2	61	4
		2	108	9
		2	109	18
		2	331	11
		2	461	14
		2	557	1
		2	649	34
		2	719	14
		2	757	55
		4	385	55
		5	7	1
		5	105	1
		5	240	8
		5	385	56
		5	410	1
		6	719	3
		6	847	12
		6	324G	2
		7	726	3
		7	878	12
		8	101	4
		8	167	9
		8	290	11
		8	500	14
		8	644	1
		8	734	34
	8	848	14	
	9	10	47	

# 57-53-27

 ILLUSTRATED PARTS LIST  
 01.1 Page 1022L  
 Mar 01/05


**BOEING**  
 COMPONENT  
 MAINTENANCE MANUAL

PART NUMBER	AIRLINE PART NO.	FIG.	ITEM	TTL REQ	
B30MY6K4		2	110	18	
		2	333	11	
		2	651	4	
		2	677	4	
		2	717	16	
		4	390	55	
		5	20	2	
		5	45	1	
		5	75	1	
		5	100	1	
		5	115	1	
		5	141	15	
		5	245	2	
		5	275	1	
		5	380	57	
		5	405	1	
		8	170	18	
		8	293	11	
		8	737	4	
		8	776	4	
		8	845	16	
	B30MY6K5		1	339	5
			1	729	20
			1	775	5
			2	63	4
			2	111	4
			2	353	8
		4	255	2	
		4	335	1	
		4	395	11	
		5	40	1	
		5	70	1	
		5	110	1	
		5	138	15	
		5	235	2	
		6	339	5	
		6	643	20	
		6	717	2	
		7	340	5	
	7	648	20		
	7	724	5		
	8	104	4		
	8	173	4		
	8	326	8		

57-53-27

 ILLUSTRATED PARTS LIST  
 01.1 Page 1022M  
 Mar 01/05

PART NUMBER	AIRLINE PART NO.	FIG.	ITEM	TTL REQ
B30MY6K7		2	295	2
		2	357	4
		8	230	2
B30MY6K8		8	332	4
		2	293	1
		2	359	4
B30MY8K12		2	405	6
		8	227	1
		8	335	4
B30MY8K13		8	413	6
		2	114	4
		2	407	2
B30MY8K4		8	179	4
		8	416	2
		2	543	1
B30MY8K5		8	623	1
		4	115	8
		4	325	1
B30MY8K6		4	15	4
		5	150	1
		4	110	4
B30MY8K7		5	147	1
		5	395	1
		2	59	2
B30MY8K8		2	541	1
		2	663	4
		4	55	6
B30MY8K9		5	285	1
		8	98	2
		8	620	1
B30NW6K3		8	755	4
		2	409	2
		2	661	4
B30MY8K9		2	113A	4
		8	176	4
		8	425	2
B30MY8K9		8	752	4
		1	875	6
		2	408A	6
B30MY8K9		6	829	6
		7	832	6
		8	419	6
B30MY8K9		1	397	2
		2	477	2
		6	389	2
B30MY8K9		7	388	2
		8	524	2

# 57-53-27

 ILLUSTRATED PARTS LIST  
 01.1 Page 1022N  
 Mar 01/05


**BOEING**  
 COMPONENT  
 MAINTENANCE MANUAL

PART NUMBER	AIRLINE PART NO.	FIG.	ITEM	TTL REQ
B30NW6K4		1	739	14
		1	769	2
		1	825	10
		1	879	14
		2	57	18
		2	351	4
		2	403	16
		4	380	68
		6	676	14
		6	711	2
		6	767	10
		6	833	14
		7	674	14
		7	718	2
		7	774	10
		7	836	14
		8	95	18
		8	323	4
		8	410	16
	B30NW6K5		1	363
		2	691	54
		2	705	12
		4	370	1
		6	367	1
		7	360	1
		7	646A	20
		8	800	54
	8	830	12	

# 57-53-27

 ILLUSTRATED PARTS LIST  
 01.1 Page 10220  
 Mar 01/05

PART NUMBER	AIRLINE PART NO.	FIG.	ITEM	TTL REQ
B30NW6K6		1	453	2
		1	728	20
		1	740	2
		1	767	1
		2	56	2
		2	692	20
		4	8	8
		4	195	2
		4	265	1
		4	305	1
		4	365	5
		5	345	68
		5	355	63
		6	451	2
		6	641	20
		6	673	2
		6	709	1
		7	452	2
		7	646	20
	B30NW6K7		7	676
		7	716	1
		8	92	2
		1	457	2
		4	375	3
B30NW6K8		6	455	2
		7	454	2
		2	291	4
		2	349	4
		5	340	2
B30NW6K9		8	224	4
		8	320	4
		1	827	2
		2	347	2
		6	769	2
B30NW8K10		7	776	2
		8	317	2
		1	881	4
		1	882	2
		2	395	2
		6	835	6
		7	838	4
		7	840	2
	8	398	2	

# 57-53-27

 ILLUSTRATED PARTS LIST  
 01.1 Page 1022P  
 Mar 01/05


**BOEING**  
 COMPONENT  
 MAINTENANCE MANUAL

PART NUMBER	AIRLINE PART NO.	FIG.	ITEM	TTL REQ
B30NW8K5		1	829	2
		2	690	4
		6	771	2
		7	778	2
		8	797	4
B30NW8K6		1	741	5
		2	55	1
		4	105	2
		6	675	5
		7	678	5
B30NW8K7		8	89	1
		1	883	4
		2	401	4
		2	475	1
		6	837	4
B30NW8K8		7	842	4
		8	407	4
		8	521	1
		1	361	1
		1	742	1
		1	765	2
		2	54	5
		2	289	4
		2	399	4
		2	473	1
		2	665	6
		5	220	2
		5	330	2
		6	365	1
		6	677	1
	6	707	2	
	7	358	1	
	7	680	1	
	7	714	2	
	8	86	5	
	8	221	4	
	8	404	4	
	8	518	1	
	8	758	6	

57-53-27

 ILLUSTRATED PARTS LIST  
 01.1 Page 1022Q  
 Mar 01/05



PART NUMBER	AIRLINE PART NO.	FIG.	ITEM	TTL REQ
B30NW8K9		1	399	1
		1	831	6
		1	885	2
		2	345	2
		2	397	2
		6	391	1
		6	773	6
		6	839	2
		7	390	1
		7	780	6
		7	844	2
		8	314	2
		8	401	2
		3	310B	1
	CG3824 CR59085		1	85
		1	123	2
		1	261	1
		6	79	2
		6	119	2
		6	263	1
		7	80	2
		7	118	2
		7	260	1
		8	599C	2
CR60308 F5000-3BAC		1	697	14
		1	701	31
		1	716	16
		1	720	30
		1	709D	14
		1	709J	27
		1	709N	1
		6	557	14
		6	567	27
		6	577	1
		6	621	16
		6	629	30
		7	564	14
		7	574	27
		7	582	1
F51747-3-3DL		7	622	16
		7	630	30
		1	754	12
		2	50	10
		2	51G	2

# 57-53-27

 ILLUSTRATED PARTS LIST  
 01.1 Page 1022R  
 Mar 01/05


**BOEING**  
 COMPONENT  
 MAINTENANCE MANUAL

PART NUMBER	AIRLINE PART NO.	FIG.	ITEM	TTL REQ	
F51750-3-2		1	422	1	
		2	51	10	
		2	733	143	
		4	455	1	
		5	455	276	
		6	419	1	
		7	416	1	
		8	74	10	
		8	875	143	
	F51750-3-3		1	423	5
			1	807	3
			1	859	6
			1	868	12
			1	943	17
		1	969	17	
		1	754G	10	
		2	284	12	
		2	383	10	
		2	390	12	
		2	505	7	
		4	465	133	
		6	421	5	
		6	701	10	
		6	751	3	
		6	803	6	
		6	819	12	
		6	889	17	
		6	907	17	
		7	418	5	
		7	702	10	
		7	756	3	
		7	808	6	
		7	822	12	
	7	894	17		
	7	912	17		
	8	209	12		
	8	371	10		
	8	389	12		
	8	566	7		

# 57-53-27

 ILLUSTRATED PARTS LIST  
 01.1 Page 1022S  
 Mar 01/05

PART NUMBER	AIRLINE PART NO.	FIG.	ITEM	TTL REQ
F51750-3-4		1	62	52
		2	732	1
		2	731A	261
		3	60	17
		3	100	2
		3	145	19
		3	147	1
		3	205	10
		3	255	25
		3	300	2
		6	49	52
		7	54	52
		8	866	261
		8	869	1
	F51750-3-6		2	732G
		8	872	3
F51752-3-2		5	445	4
F51752-3-3		1	421	2
		1	809	2
		2	503	2
		4	470	6
		6	417	2
		6	753	2
		7	414	2
		7	758	2
		8	563	2
F51752-3-4		1	63B	1
		3	55	4
		3	150	6
		3	210	3
		3	260	2
		6	51	1
		7	56	1
HL10VAZ10-10		1	873	2
		2	408G	2
		8	422	2
HL10VAZ10-20		2	545	1
		8	626	1
HL10VAZ10-7		4	65	1
		4	125	4
HL10VAZ10-8		4	70	1
HL10VAZ12-10		1	873A	2
		6	827	2
		7	830	2
HL10VAZ5-12		1	277	2
		6	281	2
		7	282	2

# 57-53-27

 ILLUSTRATED PARTS LIST  
 01.1 Page 1022T  
 Mar 01/05


**BOEING**  
 COMPONENT  
 MAINTENANCE MANUAL

PART NUMBER	AIRLINE PART NO.	FIG.	ITEM	TTL REQ
HL10VAZ6-2		2	107	10
		2	555	4
		8	641	4
HL10VAZ6-3		1	777	3
		1	925	12
		1	324G	2
		1	328G	2
		2	61	4
		2	108	9
		2	109	18
		2	331	11
		2	461	14
		2	557	1
		2	649	34
		2	719	14
		2	757	55
		4	385	55
		5	7	1
		5	105	1
		5	240	8
		5	385	56
		5	410	1
		6	719	3
		6	847	12
		6	324G	2
		7	726	3
		7	878	12
		8	101	4
		8	167	9
		8	290	11
8	500	14		
8	644	1		
8	734	34		
8	848	14		
9	10	47		

57-53-27

 ILLUSTRATED PARTS LIST  
 01.1 Page 1022U  
 Mar 01/05

PART NUMBER	AIRLINE PART NO.	FIG.	ITEM	TTL REQ	
HL10VAZ6-4		2	110	18	
		2	333	11	
		2	651	4	
		2	677	4	
		2	717	16	
		4	390	55	
		5	20	2	
		5	45	1	
		5	75	1	
		5	100	1	
		5	115	1	
		5	141	15	
		5	245	2	
		5	275	1	
		5	380	57	
		5	405	1	
		8	170	18	
		8	293	11	
		8	737	4	
		8	776	4	
		8	845	16	
	HL10VAZ6-5		1	339	5
			1	729	20
			1	775	5
		2	63	4	
		2	111	4	
		2	353	8	
		4	255	2	
		4	335	1	
		4	395	11	
		5	40	1	
		5	70	1	
		5	110	1	
		5	138	15	
		5	235	2	
		6	339	5	
		6	643	20	
		6	717	2	
		7	340	5	
		7	648	20	
		7	724	5	
	8	104	4		
	8	173	4		
	8	326	8		

# 57-53-27

 ILLUSTRATED PARTS LIST  
 01.1 Page 1022V  
 Mar 01/05


**BOEING**  
 COMPONENT  
 MAINTENANCE MANUAL

PART NUMBER	AIRLINE PART NO.	FIG.	ITEM	TTL REQ		
HL10VAZ6-6		1	455	10		
		2	64	4		
		2	297	11		
		2	355	4		
		2	653	4		
		4	260	2		
		4	300	1		
		4	400	8		
		5	230	2		
		6	453	10		
		HL10VAZ6-7		2	295	2
				2	357	4
				8	230	2
8	332			4		
HL10VAZ6-8		2	293	1		
		2	359	4		
		2	405	6		
		8	227	1		
		8	335	4		
		8	413	6		
HL10VAZ8-12		2	114	4		
		2	407	2		
		8	179	4		
		8	416	2		
HL10VAZ8-13		2	543	1		
		8	623	1		
HL10VAZ8-4		4	115	8		
		4	325	1		
HL10VAZ8-5		4	15	4		
		5	150	1		
HL10VAZ8-6		4	110	4		
		5	147	1		
		5	395	1		
		2	59	2		
		2	541	1		
HL10VAZ8-7		2	663	4		
		4	55	6		
		5	285	1		
		8	98	2		
		8	620	1		
		8	755	4		
		2	409	2		
		2	661	4		
		2	113A	4		
		8	176	4		
HL10VAZ8-8		8	425	2		
		8	752	4		

# 57-53-27

 ILLUSTRATED PARTS LIST  
 01.1 Page 1022W  
 Mar 01/05

PART NUMBER	AIRLINE PART NO.	FIG.	ITEM	TTL REQ		
HL10VAZ8-9		1	875	6		
		2	408A	6		
		6	829	6		
		7	832	6		
		8	419	6		
HL11VAZ6-3		1	397	2		
		2	477	2		
		6	389	2		
		7	388	2		
HL11VAZ6-4		8	524	2		
		1	739	14		
		1	769	2		
		1	825	10		
		1	879	14		
		2	57	18		
		2	351	4		
		2	403	16		
		4	380	68		
		6	676	14		
		6	711	2		
		6	767	10		
		6	833	14		
		7	674	14		
		7	718	2		
		7	774	10		
		7	836	14		
		8	95	18		
		HL11VAZ6-5		8	323	4
				8	410	16
1	363			1		
2	691			54		
2	705			12		
4	370			1		
6	367			1		
7	360			1		
7	646A			20		
8	800			54		
	8	830	12			

# 57-53-27

 ILLUSTRATED PARTS LIST  
 01.1 Page 1022X  
 Mar 01/05


**BOEING**  
 COMPONENT  
 MAINTENANCE MANUAL

PART NUMBER	AIRLINE PART NO.	FIG.	ITEM	TTL REQ	
HL11VAZ6-6		1	453	2	
		1	728	20	
		1	740	2	
		1	767	1	
		2	56	2	
		2	692	20	
		4	8	8	
		4	195	2	
		4	265	1	
		4	305	1	
		4	365	5	
		5	345	68	
		5	355	63	
		6	451	2	
		6	641	20	
		6	673	2	
		6	709	1	
		7	452	2	
		7	646	20	
		7	676	2	
		7	716	1	
		8	92	2	
	HL11VAZ6-7		1	457	2
			4	375	3
			6	455	2
			7	454	2
	HL11VAZ6-8		2	291	4
			2	349	4
		5	340	2	
		8	224	4	
		8	320	4	
HL11VAZ6-9		1	827	2	
		2	347	2	
		6	769	2	
		7	776	2	
		8	317	2	
HL11VAZ8-10		1	881	4	
		1	882	2	
		2	395	2	
		6	835	6	
		7	838	4	
		7	840	2	
		8	398	2	

57-53-27

 ILLUSTRATED PARTS LIST  
 01.1 Page 1022Y  
 Mar 01/05



PART NUMBER	AIRLINE PART NO.	FIG.	ITEM	TTL REQ
HL11VAZ8-5		1	829	2
		2	690	4
		6	771	2
		7	778	2
		8	797	4
HL11VAZ8-6		1	741	5
		2	55	1
		4	105	2
		6	675	5
		7	678	5
HL11VAZ8-7		8	89	1
		1	883	4
		2	401	4
		2	475	1
		6	837	4
HL11VAZ8-8		7	842	4
		8	407	4
		8	521	1
		1	361	1
		1	742	1
		1	765	2
		2	54	5
		2	289	4
		2	399	4
		2	473	1
		2	665	6
		5	220	2
		5	330	2
		6	365	1
		6	677	1
6	707	2		
7	358	1		
7	680	1		
7	714	2		
8	86	5		
8	221	4		
8	404	4		
8	518	1		
8	758	6		

**57-53-27**

 ILLUSTRATED PARTS LIST  
 01.1 Page 1022Z  
 Mar 01/05


**BOEING**  
 COMPONENT  
 MAINTENANCE MANUAL

PART NUMBER	AIRLINE PART NO.	FIG.	ITEM	TTL REQ
HL11VAZ8-9		1	399	1
		1	831	6
		1	885	2
		2	345	2
		2	397	2
		6	391	1
		6	773	6
		6	839	2
		7	390	1
		7	780	6
		7	844	2
		8	314	2
		8	401	2

# 57-53-27

ILLUSTRATED PARTS LIST  
 01.1 Page 1023  
 Mar 01/05

PART NUMBER	AIRLINE PART NO.	FIG.	ITEM	TTL REQ
HL11V6-4		1	739	14
		1	739	14
		1	769	2
		1	769	2
		1	825	10
		1	825	10
		1	879	14
		1	879	14
		2	57	18
		2	57	18
		2	351	4
		2	351	4
		2	403	16
		2	403	16
		4	380	68
		4	380	68
		6	676	14
		6	676	14
		6	711	2
		6	711	2
		6	767	10
		6	767	10
		6	833	14
		6	833	14
		7	674	14
		7	674	14
		7	718	2
		7	718	2
		7	774	10
		7	774	10
		7	836	14
		7	836	14
		8	95	18
	8	95	18	
	8	323	4	
	8	323	4	
	8	410	16	
	8	410	16	

# 57-53-27

 ILLUSTRATED PARTS LIST  
 01.1 Page 1024  
 Mar 01/05


**BOEING**  
 COMPONENT  
 MAINTENANCE MANUAL

PART NUMBER	AIRLINE PART NO.	FIG.	ITEM	TTL REQ	
HL11V6-5		1	363	1	
		1	363	1	
		2	691	54	
		2	691	54	
		2	705	12	
		2	705	12	
		4	370	1	
		4	370	1	
		6	367	1	
		6	367	1	
		7	360	1	
		7	360	1	
		7	646A	20	
		7	646A	20	
		8	800	54	
		8	800	54	
		8	830	12	
		8	830	12	
	HL11V6-7		1	457	2
			1	457	2
		4	375	3	
		4	375	3	
		6	455	2	
		6	455	2	
		7	454	2	
		7	454	2	
HL1187-6		5	360A	63	
HL1187-8		1	800A		
		1	908A		
		2	316A		
HL13VAZ8-10		2	444A		
		1	882A		
		2	395A		
HL448AZ6-6		5	355A	63	
HL70-5		1	279	2	
		6	283	2	
		7	284	2	
		7	284	2	
HL79-10		1	903	2	
		2	549	1	
		2	443G	2	
		4	75	2	
		4	130	4	
		8	479	2	
		8	632	1	
HL79-12		1	903A	2	
		6	841	2	
		7	862	2	
		7	862	2	

57-53-27

 ILLUSTRATED PARTS LIST  
 01.1 Page 1024A  
 Mar 01/05

PART NUMBER	AIRLINE PART NO.	FIG.	ITEM	TTL REQ
HL79-6		1	343	5
		1	373	1
		1	417	2
		1	463	14
		1	730	40
		1	797	11
		1	851	12
		1	905	14
		1	927	12
		1	324K	2
		1	328K	2
		1	749G	16
		2	85	20
		2	313	18
		2	335	22
		2	377	30
		2	441	22
		2	463	14
		2	497	2
		2	559	5
		2	64N	12
		2	655	42
		2	695	74
		2	707	12
		2	721	30
		2	761	55
		2	115G	9
		2	115N	22
		2	679A	4
		4	10	8
		4	200	2
		4	270	5
		4	310	2
		4	340	1
	4	405	206	
	5	10	1	
	5	25	2	
	5	50	2	
	5	80	2	
	5	120	2	

# 57-53-27

 ILLUSTRATED PARTS LIST  
 01.1 Page 1024B  
 Mar 01/05


**BOEING**  
 COMPONENT  
 MAINTENANCE MANUAL

PART NUMBER	AIRLINE PART NO.	FIG.	ITEM	TTL REQ	
HL79-6		5	144	30	
		5	250	14	
		5	280	1	
		5	350	70	
		5	360	63	
		5	390	113	
		5	415	2	
		6	343	5	
		6	373	1	
		6	411	2	
		6	457	14	
		6	645	40	
		6	647		
		6	691	16	
		6	739	8	
		6	793	12	
		6	843	14	
		6	849	12	
		6	324K	2	
		7	344	5	
		7	370	1	
		7	410	2	
		7	460	14	
		7	650	40	
		7	694	16	
		7	746	11	
		7	800	12	
		7	864	14	
		7	880	12	
		8	113	13	
		8	146	20	
		8	182	9	
		8	185	22	
		8	257	18	
		8	296	22	
		8	362	30	
		8	473	22	
		8	503	14	
		8	554	2	
		8	647	5	
	HL79-6		8	743	42
			8	779	4
			8	812	74
		8	833	12	
		8	851	30	
		9	20	47	

# 57-53-27

 ILLUSTRATED PARTS LIST  
 01.1 Page 1024C  
 Mar 01/05

PART NUMBER	AIRLINE PART NO.	FIG.	ITEM	TTL REQ
HL79-8		1	371	1
		1	419	1
		1	751	1
		1	799	2
		1	800	
		1	853	8
		1	907	16
		1	908	2
		1	751G	6
		2	87	1
		2	88	1
		2	315	4
		2	316	
		2	379	2
		2	443	20
		2	444	2
		2	499	2
		2	547	2
		2	64G	2
		2	669	14
		2	694	4
		2	85G	4
		2	116G	8
		4	20	4
		4	60	6
		4	120	14
		4	330	1
		5	153	2
		5	225	2
		5	290	1
		5	335	2
		5	400	1
		6	375	1
		6	413	1
		6	693	6
		6	741	2
	6	795	8	
	6	845	18	
	7	368	1	
	7	412	1	

# 57-53-27

 ILLUSTRATED PARTS LIST  
 01.1 Page 1024D  
 Mar 01/05


**BOEING**  
 COMPONENT  
 MAINTENANCE MANUAL

PART NUMBER	AIRLINE PART NO.	FIG.	ITEM	TTL REQ	
HL79-8		7	696	6	
		7	748	2	
		7	802	8	
		7	866	16	
		7	868	2	
		8	110	2	
		8	149	4	
		8	152	1	
		8	188	8	
		8	260	4	
		8	365	2	
		8	476	16	
		8	477	4	
		8	482	2	
		8	557	2	
		8	629	2	
		8	764	14	
		8	809	4	
	HL87-6		5	360A	63
			5	360A	63
		5	360A	63	
HL97DU6		1	749	16	
		2	81	20	
		2	115	32	
HL97DU8		1	750	5	
		2	83	4	
		2	87G	1	
		2	116A	8	
HST10AG12-10		7	830A	2	
		8	422A	2	
		7	340A	5	
HST10AG6-5		7	450A	10	
HST10AG6-6		8	413A	6	
HST10AG6-8		8	416A	2	
HST10AG8-12		8	425A	2	
HST10AG8-8		7	832A	6	
HST10AG8-9		8	419A	6	
HST79-12		7	862A	2	
		8	479A	2	
		7	344A	5	
HST79-6		7	460A	14	
		7	864A	14	
		8	473A	22	
		7	866A	16	
HST79-8		7	868A	2	
		8	476A	16	
		8	482A	2	

57-53-27

 ILLUSTRATED PARTS LIST  
 01.1 Page 1024E  
 Mar 01/05



PART NUMBER	AIRLINE PART NO.	FIG.	ITEM	TTL REQ
HST79CY12		7	862A	2
		8	479A	2
HST79CY6		7	344A	5
		7	460A	14
		7	864A	14
		8	473A	22
		7	866A	16
HST79CY8		7	868A	2
		8	476A	16
		8	482A	2
		8	477A	4
HST82CY8APBW		8	477A	4
HST828AW		8	477A	4
H01-3BAC		2	324	2
		8	272	2
H01-4BAC		2	445	2
		8	485	2
H10-10BAC		2	13	2
		8	17	2
H10-3BAC		1	708U	34
		6	541	34
		7	548	34
		1	678	2
		1	683	10
		1	686	12
		4	235	4
H10-4BAC		6	503	2
		6	515	10
		6	523	12
		7	504	2
		7	514	10
		7	520	12
		7	80	2
		7	118	2
		7	260	1
		8	599C	2
H51560-8		8	17A	2
		8	17A	2
H51650-10BAC		1	315	1
KSC152200BZ05GC		6	315	1
		7	320	1
		7	315	1
KWDB05-35		1	315	1
		6	315	1
		7	320	1

# 57-53-27

 ILLUSTRATED PARTS LIST  
 01.1 Page 1024F  
 Mar 01/05


**BOEING**  
 COMPONENT  
 MAINTENANCE MANUAL

PART NUMBER	AIRLINE PART NO.	FIG.	ITEM	TTL REQ
K29646-104		1	409	1
		1	783	1
		2	419	4
		6	403	1
		6	725	1
		7	402	1
		7	732	1
		8	440	4
K29646-5		1	223	4
		6	225	4
		7	222	4
K29646-7		1	227A	2
		6	229	2
		7	226	2
K29646-8		8	590A	2
		1	407	1
K29913-104		1	781	1
		2	417	4
		6	401	1
		6	723	1
		7	400	1
		7	730	1
		8	437	4
		1	221	4
K29913-5		6	223	4
		7	220	4
		1	225	2
K29913-7		6	227	2
		7	224	2
		8	587A	2
K29913-8		7	450	10
		8	107	4
		8	233	14
		8	329	4
		8	740	4
		8	740	4
L800-6-6				

# 57-53-27

 ILLUSTRATED PARTS LIST  
 01.1 Page 1024G  
 Mar 01/05

PART NUMBER	AIRLINE PART NO.	FIG.	ITEM	TTL REQ		
L8006K6		1	455	10		
		2	64	4		
		2	297	11		
		2	355	4		
		2	653	4		
		4	260	2		
		4	300	1		
		4	400	8		
		5	230	2		
		6	453	10		
		7	450	10		
		8	107	4		
		8	233	14		
		8	329	4		
		8	740	4		
		L803-6-4		1	739	14
				1	769	2
				1	825	10
1	879			14		
2	57			18		
2	351			4		
2	403			16		
4	380			68		
6	676			14		
6	711			2		
6	767			10		
6	833			14		
7	674			14		
7	718			2		
7	774			10		
7	836			14		
L803-6-5				8	95	18
				8	323	4
		8	410	16		
		1	363	1		
		2	691	54		
		2	705	12		
		4	370	1		
		6	367	1		
		7	360	1		
		7	646A	20		
L803-6-7		8	800	54		
		8	830	12		
		1	457	2		
		4	375	3		
		6	455	2		
		7	454	2		

**57-53-27**

 ILLUSTRATED PARTS LIST  
 01.1 Page 1024H  
 Mar 01/05


**BOEING**  
 COMPONENT  
 MAINTENANCE MANUAL

PART NUMBER	AIRLINE PART NO.	FIG.	ITEM	TTL REQ
L803-6K3		1	397	2
		2	477	2
		6	389	2
		7	388	2
		8	524	2
L803-6K6		1	453	2
		1	728	20
		1	740	2
		1	767	1
		2	56	2
		2	692	20
		4	8	8
		4	195	2
		4	265	1
		4	305	1
		4	365	5
		5	345	68
		5	355	63
		6	451	2
		6	641	20
		6	673	2
		6	709	1
		7	452	2
		7	646	20
		7	676	2
	7	716	1	
	8	92	2	
L803-6K8		2	291	4
		2	349	4
		5	340	2
		8	224	4
		8	320	4
L803-6K9		1	827	2
		2	347	2
		6	769	2
		7	776	2
		8	317	2
L803-8K10		1	881	4
		1	882	2
		2	395	2
		6	835	6
		7	838	4
		7	840	2
		8	398	2

57-53-27

 ILLUSTRATED PARTS LIST  
 01.1 Page 1024I  
 Mar 01/05

PART NUMBER	AIRLINE PART NO.	FIG.	ITEM	TTL REQ
L803-8K5		1	829	2
		2	690	4
		6	771	2
		7	778	2
		8	797	4
L803-8K6		1	741	5
		2	55	1
		4	105	2
		6	675	5
		7	678	5
L803-8K7		8	89	1
		1	883	4
		2	401	4
		2	475	1
		6	837	4
L803-8K8		7	842	4
		8	407	4
		8	521	1
		1	361	1
		1	742	1
		1	765	2
		2	54	5
		2	289	4
		2	399	4
		2	473	1
		2	665	6
		5	220	2
		5	330	2
		6	365	1
		6	677	1
6	707	2		
7	358	1		
7	680	1		
7	714	2		
8	86	5		
8	221	4		
8	404	4		
8	518	1		
8	758	6		

**57-53-27**

 ILLUSTRATED PARTS LIST  
 01.1 Page 1024J  
 Mar 01/05


**BOEING**  
 COMPONENT  
 MAINTENANCE MANUAL

PART NUMBER	AIRLINE PART NO.	FIG.	ITEM	TTL REQ	
L803-8K9		1	399	1	
		1	831	6	
		1	885	2	
		2	345	2	
		2	397	2	
		6	391	1	
		6	773	6	
		6	839	2	
		7	390	1	
		7	780	6	
		7	844	2	
		8	314	2	
		8	401	2	
	MF19058-3-3BAC		1	801	2
			2	770A	1
			2	785A	1
			2	800A	1
		2	816A	26	
		2	846A	1	
		2	861A	1	
		2	876A	1	
		2	894A	1	
		2	903A	6	
		2	912A	1	
		2	922A	1	
		2	936A	1	
		2	955A	1	
		2	975A	1	
		6	745	2	
		7	750	2	
		9	45	1	
		9	115	26	
		9	200	1	
		9	250	1	
		9	300	1	
		9	365	1	
		9	400	6	
		9	445	1	
		9	495	1	
		9	545	1	
	9	595	1		
	9	645	1		

57-53-27

 ILLUSTRATED PARTS LIST  
 01.1 Page 1024K  
 Mar 01/05

PART NUMBER	AIRLINE PART NO.	FIG.	ITEM	TTL REQ
MF19058-3-4BAC		2	771A	6
		2	786A	6
		2	801A	6
		2	847A	6
		2	862A	6
		2	877A	6
		2	895A	6
		2	913A	6
		2	923A	6
		2	937A	6
		2	957A	6
		2	977A	6
		9	50	6
		9	205	6
		9	255	6
		9	305	6
		9	370	6
		9	450	6
		9	500	6
		9	550	6
	9	600	6	
	9	650	6	
MF19058-4-2BAC		7	818A	
		7	820A	
		8	386A	10
MF19058-4-3BAC		7	818B	6
		7	820B	4
MF19058-4-4BAC		1	753G	9
	MS15001-1	1	203	2
1		204	2	
6		205	2	
7		202	2	
1		939	1	
MS16562-5	1	965	1	
	6	883	1	
	6	901	1	
	7	890	1	
	7	908	1	
	2	33	1	
MS21025-32	8	41	1	
	MS24665-153	1	152	2
6		149	2	
MS24665-448	2	27	1	
	8	32	1	
MS27253-3F	1	979		

# 57-53-27

 ILLUSTRATED PARTS LIST  
 01.1 Page 1024L  
 Mar 01/05


**BOEING**  
 COMPONENT  
 MAINTENANCE MANUAL

PART NUMBER	AIRLINE PART NO.	FIG.	ITEM	TTL REQ
MS27253F3		1	979A	1
		6	911	1
		7	918	1
MT8260S428S4		1	753G	9
NAS1149D0332J		7	342A	4
NAS1149D0463J		7	430A	8
NAS1149E0463P		7	138A	2
NAS1149E0463R		7	140A	2
NAS1149E0563P		7	152A	2
NAS1149E0563R		7	154A	2
NAS1149E0832R		8	591	AR
NAS1149E0863R		8	592	AR
NAS1399MW6-4		1	613	
		4	360	10
		1	437	8
NAS1804-4		6	433	8
		7	432	8
		1	233	4
NAS1804-5		1	301	4
		6	231	4
		6	301	4
		7	236	4
		7	306	4
		1	235	2
		6	233	2
NAS1804-7		7	238	2
		2	527	2
		2	527A	2
NAS1804-8		8	599	2
		8	599B	2
		1	149	2
		6	145	2
NAS1805-4		7	144	2
		7	144A	2
		7	236A	4
NAS1805-4L		7	306A	4
NAS1805-5L		7	238A	2
NAS1805-7L		2	527B	2
NAS1805-8L		8	599A	2
NAS509-6		1	275	2
		6	275	2
		7	276	2
NAS509-6C		1	169	2
		6	167	2
		7	166	2

57-53-27

 ILLUSTRATED PARTS LIST  
 01.1 Page 1024M  
 Mar 01/05



PART NUMBER	AIRLINE PART NO.	FIG.	ITEM	TTL REQ
NAS513-6		1	167	2
		1	276	2
		6	165	2
		6	277	2
		7	164	2
		7	278	2
	NAS6705-20		1	289A
NAS6705-24		1	211A	
NAS6705-27		1	213A	
NS103191-02-2		1	422	1
		2	51	10
		2	733	143
		4	455	1
		5	455	276
		6	419	1
		7	416	1
		8	74	10
	8	875	143	

# 57-53-27

 ILLUSTRATED PARTS LIST  
 01.1 Page 1024N  
 Mar 01/05


**BOEING**  
 COMPONENT  
 MAINTENANCE MANUAL

PART NUMBER	AIRLINE PART NO.	FIG.	ITEM	TTL REQ	
NS103191-02-3		1	423	5	
		1	807	3	
		1	859	6	
		1	868	12	
		1	943	17	
		1	969	17	
		1	754G	10	
		2	284	12	
		2	383	10	
		2	390	12	
		2	505	7	
		4	465	133	
		6	421	5	
		6	701	10	
		6	751	3	
		6	803	6	
		6	819	12	
		6	889	17	
		6	907	17	
		7	418	5	
		7	702	10	
		7	756	3	
		7	808	6	
		7	822	12	
		7	894	17	
		7	912	17	
		8	209	12	
		8	371	10	
		8	389	12	
		8	566	7	
	NS103191-02-4		1	62	52
			2	732	1
			2	731A	261
		3	60	17	
		3	100	2	
		3	145	19	
		3	147	1	
		3	205	10	
		3	255	25	
		3	300	2	
		6	49	52	
		7	54	52	
		8	866	261	
NS103191-02-6		8	869	1	
		2	732G	3	
		8	872	3	

# 57-53-27

 ILLUSTRATED PARTS LIST  
 01.1 Page 10240  
 Mar 01/05

PART NUMBER	AIRLINE PART NO.	FIG.	ITEM	TTL REQ
NS103191SE02-3		1	754	12
		2	50	10
		2	51G	2
NS103194-02-2		5	445	4
		1	421	2
NS103194-02-3		1	809	2
		2	503	2
		4	470	6
		6	417	2
		6	753	2
		7	414	2
		7	758	2
		8	563	2
		1	63B	1
		3	55	4
		3	150	6
NS103194-02-4		3	210	3
		3	260	2
		6	51	1
		7	56	1
		1	753G	9
		1	697	14
		1	701	31
		1	716	16
NS103201-048-4 NS103203-02		1	720	30
		1	709D	14
		1	709J	27
		1	709N	1
		6	557	14
		6	567	27
		6	577	1
		6	621	16
		6	629	30
		7	564	14
		7	574	27
		7	582	1
		7	622	16
NS202101-02		7	630	30
		1	708U	34
		6	541	34
		7	548	34

# 57-53-27

 ILLUSTRATED PARTS LIST  
 01.1 Page 1024P  
 Mar 01/05



**BOEING**  
 COMPONENT  
 MAINTENANCE MANUAL

PART NUMBER	AIRLINE PART NO.	FIG.	ITEM	TTL REQ	
NS202101-048		1	678	2	
		1	683	10	
		1	686	12	
		4	235	4	
		6	503	2	
		6	515	10	
		6	523	12	
		7	504	2	
		7	514	10	
		7	520	12	
	NS202101SE02		2	324	2
			8	272	2
	RMF9201-3		1	697	14
		1	701	31	
		1	716	16	
		1	720	30	
		1	709D	14	
		1	709J	27	
		1	709N	1	
		6	557	14	
		6	567	27	
		6	577	1	
		6	621	16	
		6	629	30	
		7	564	14	
		7	574	27	
		7	582	1	
		7	622	16	
		7	630	30	
RMF9206M4-4		1	753G	9	
		1	753G	9	
RMF9213-2-3		1	422	1	
		2	51	10	
		2	733	143	
		4	455	1	
		5	455	276	
		6	419	1	
		7	416	1	
		8	74	10	
		8	875	143	

**57-53-27**

ILLUSTRATED PARTS LIST  
 01.1 Page 1024Q  
 Mar 01/05

PART NUMBER	AIRLINE PART NO.	FIG.	ITEM	TTL REQ	
RMF9213-3-3		1	423	5	
		1	807	3	
		1	859	6	
		1	868	12	
		1	943	17	
		1	969	17	
		1	754G	10	
		2	284	12	
		2	383	10	
		2	390	12	
		2	505	7	
		4	465	133	
		6	421	5	
		6	701	10	
		6	751	3	
		6	803	6	
		6	819	12	
		6	889	17	
		6	907	17	
		7	418	5	
		7	702	10	
		7	756	3	
		7	808	6	
		7	822	12	
		7	894	17	
		7	912	17	
		8	209	12	
		8	371	10	
		8	389	12	
		8	566	7	
	RMF9213-4-3		1	62	52
			2	732	1
			2	731A	261
		3	60	17	
		3	100	2	
		3	145	19	
		3	147	1	
		3	205	10	
		3	255	25	
		3	300	2	
		6	49	52	
		7	54	52	
		8	866	261	
		8	869	1	
RMF9213-6-3			2	732G	3
		8	872	3	
RMF9216-2-3		5	445	4	

57-53-27

 ILLUSTRATED PARTS LIST  
 01.1 Page 1024R  
 Mar 01/05


**BOEING**  
 COMPONENT  
 MAINTENANCE MANUAL

PART NUMBER	AIRLINE PART NO.	FIG.	ITEM	TTL REQ	
RMF9216-3-3		1	421	2	
		1	809	2	
		2	503	2	
		4	470	6	
		6	417	2	
		6	753	2	
		7	414	2	
		7	758	2	
		8	563	2	
	RMF9216-4-3		1	63B	1
			3	55	4
		3	150	6	
		3	210	3	
		3	260	2	
		6	51	1	
		7	56	1	
RMLH9074-10		2	13	2	
		8	17	2	
RMLH9075-3W		1	708U	34	
		6	541	34	
		7	548	34	
RMLH9075-4W		1	678	2	
		1	683	10	
		1	686	12	
		4	235	4	
		6	503	2	
		6	515	10	
		6	523	12	
		7	504	2	
		7	514	10	
		7	520	12	
SDR4-135A1-501		1	151A		
		1	151B	2	
		7	146B	2	
SDR4-135A1-502		1	151D	2	
		6	147A	2	
		7	146C	2	
		7	146D	2	
		7	146D	2	
SL7059C524		7	80	2	
		7	118	2	
		7	260	1	
SL7108C8		8	599C	2	
SM5-6C1-502		1	165	2	
		6	163	2	
		7	162	2	

57-53-27

 ILLUSTRATED PARTS LIST  
 01.1 Page 1024S  
 Mar 01/05

PART NUMBER	AIRLINE PART NO.	FIG.	ITEM	TTL REQ
SWKRS05-350SC		1	315	1
		6	315	1
		7	320	1
S012T236-200		1	151B	2
		7	146B	2
S012T236-205		1	151C	
		1	151D	2
		6	147	
		7	146	
		7	146A	
		7	146C	2
		7	146D	2
S012T236-7		1	165	2
		6	163	2
		7	162	2
T6C1032JM		2	324	2
		8	272	2
T6C428JM		2	445	2
		8	485	2
T6S1032J		1	708U	34
		6	541	34
		7	548	34
T6S428J		1	678	2
		1	683	10
		1	686	12
		4	235	4
		6	503	2
		6	515	10
		6	523	12
		7	504	2
		7	514	10
7	520	12		

# 57-53-27

 ILLUSTRATED PARTS LIST  
 01.1 Page 1024T  
 Mar 01/05


**BOEING**  
 COMPONENT  
 MAINTENANCE MANUAL

PART NUMBER	AIRLINE PART NO.	FIG.	ITEM	TTL REQ	
T8091S1032		1	697	14	
		1	701	31	
		1	716	16	
		1	720	30	
		1	709D	14	
		1	709J	27	
		1	709N	1	
		6	557	14	
		6	567	27	
		6	577	1	
		6	621	16	
		6	629	30	
		7	564	14	
		7	574	27	
		7	582	1	
		7	622	16	
		7	630	30	
	VCU0005D8 VN152A1-02		8	599C	2
			1	697	14
			1	701	31
		1	716	16	
		1	720	30	
		1	709D	14	
		1	709J	27	
		1	709N	1	
		6	557	14	
		6	567	27	
VN253A048-4 VN303A02		6	577	1	
		6	621	16	
		6	629	30	
		7	564	14	
		7	574	27	
		7	582	1	
		7	622	16	
		7	630	30	
		1	753G	9	
		1	708U	34	
	6	541	34		
	7	548	34		

57-53-27

 ILLUSTRATED PARTS LIST  
 01.1 Page 1024U  
 Mar 01/05



PART NUMBER	AIRLINE PART NO.	FIG.	ITEM	TTL REQ	
VN303A048		1	678	2	
		1	683	10	
		1	686	12	
		4	235	4	
		6	503	2	
		6	515	10	
		6	523	12	
		7	504	2	
		7	514	10	
		7	520	12	
	VN303D02		2	324	2
			8	272	2
VN303D048		2	445	2	
		8	485	2	
WC331K6-4		7	836A	14	
		8	410A	16	
WC331K6-6		7	452A	2	
WC331K6-7		7	454A	2	
WC331K8-10		7	838A	4	
		7	840A	2	
		8	398A	2	
WC331K8-7		7	842A	4	
		8	407A	4	
WC331K8-8		8	404A	4	
WC331K8-9		7	844A	2	
		8	401A	2	
WES05FAGC		1	315	1	
		6	315	1	
		7	320	1	
WHTFA05VC		1	315	1	
		6	315	1	
		7	320	1	
10-60754-322		3	310B	1	
102LH9031-8		8	599C	2	
102LH90318		8	599C	2	
102LH9074-10		8	17A	2	
104F9213-3-3		1	754	12	
		2	50	10	
		2	51G	2	

# 57-53-27

 ILLUSTRATED PARTS LIST  
 01.1 Page 1024V  
 Mar 01/05


**BOEING**  
 COMPONENT  
 MAINTENANCE MANUAL

PART NUMBER	AIRLINE PART NO.	FIG.	ITEM	TTL REQ
109LH90315		1	85	2
		1	123	2
		1	261	1
		6	79	2
		6	119	2
		6	263	1
		7	80	2
		7	118	2
		7	260	1
		7	260	1
109LH9075-3W		2	324	2
		8	272	2
109LH9075-4W		2	445	2
		8	485	2
113T1256-34		1	183	4
		6	185	4
		7	182	4
113T1256-35		1	23	1
		2	23	1
		6	13	1
		7	28	1
		8	26	1
113T1256-36		1	25	1
		2	25	1
		6	27	1
		7	30	1
		8	29	1
113T1256-45		1	23A	1
		2	23A	1
		6	13A	1
		7	28A	1
		8	26A	1
113T1256-47		1	25A	1
		2	25A	1
		6	27A	1
		7	30A	1
		8	29A	1
113T1256-50		1	183A	1
		6	185A	4
		7	182A	4
113T2104-1		1	91	1
		1	129	1
		6	85	1
		6	125	1
		7	86	1
		7	124	1

57-53-27

 ILLUSTRATED PARTS LIST  
 01.1 Page 1024W  
 Mar 01/05

PART NUMBER	AIRLINE PART NO.	FIG.	ITEM	TTL REQ
113T2104-13		1	237	1
		6	235	1
		7	240	1
113T2104-15		6	89	
		1	199	2
113T2104-17		6	201	2
		7	198	2
113T2104-2		1	389	1
		1	465	1
		6	381	1
		6	459	1
		7	380	1
		7	462	1
		7	462	1
113T2104-21		1	313	1
		6	313	1
		7	318	1
113T2104-22		2	529	2
		8	602	2
113T2104-24		2	531	1
		8	605	1
113T2104-25		1	440G	1
		7	436	1
113T2104-3		1	93	1
		1	131	1
		6	87	1
		6	127	1
		7	88	1
		7	126	1
		7	126	1
113T2104-4		1	385	1
		1	467	1
		6	377	1
		6	461	1
		7	376	1
		7	464	1
		7	464	1
113T2104-5		1	95	
		1	133	1
		6	129	1
		6	89A	1
		7	90	1
		7	128	1
		7	128	1
113T2104-6		1	387	1
		1	469	1
		6	379	1
		6	463	1
		7	378	1
		7	378	1
		7	466	1

# 57-53-27

 ILLUSTRATED PARTS LIST  
 01.1 Page 1024X  
 Mar 01/05


**BOEING**  
 COMPONENT  
 MAINTENANCE MANUAL

PART NUMBER	AIRLINE PART NO.	FIG.	ITEM	TTL REQ
113T2104-7		1	439	1
		1	440	1
		6	435	1
		6	437	1
		6	437A	1
		7	434	1
		113T2104-8		1
113T2104-9		6	319	1
		7	324	1
		1	317	1
113T2106-10		6	317	1
		7	322	1
		2	31	1
113T2106-11		8	38	1
		1	179	2
113T2106-12		6	179	2
		7	176	2
		1	201	2
113T2106-13		6	203	2
		7	200	2
		1	323	1
		6	323	1
113T2106-14		7	328	1
		1	321	1
		6	321	1
		7	326	1
113T2106-5		1	7	
		1	8	AR
		6	29	AR
113T2106-6		7	8	AR
		1	13	1
		6	7	1
113T2106-7		7	14	1
		1	9	1
		6	11	1
113T2106-8		7	10	1
		1	11	1
		6	9	1
113T2106-9		7	12	1
		1	185	2
		6	187	2
113T2108-5		7	184	2
		1	177	2
		1	153A	
113T2108-6		1	177A	2
113T2108-7		6	177	2
		7	174	2

57-53-27

 ILLUSTRATED PARTS LIST  
 01.1 Page 1024Y  
 Mar 01/05

PART NUMBER	AIRLINE PART NO.	FIG.	ITEM	TTL REQ
113T2110-1		2	21	3
113T2110-2		2	22	1
		8	23	1
113T2111-1		2	551	1
		8	635	1
113T2111-2		2	553	1
		8	638	1
113T2111-3		2	579	1
		8	677	1
113T2111-4		2	581	1
		8	680	1
113T2111-5		2	561	1
		8	650	1
113T2111-6		2	563	1
		8	653	1
113T2111-7		2	569	1
		8	659	1
113T2111-8		2	570	1
		8	662	1
113T2112-3		1	349	1
		1	333A	
		6	345	1
		7	346	1
113T2112-4		1	351	1
		1	335A	
		6	347	1
		7	348	1
113T2201-1SP		1	1	RF
113T2201-10		1	5B	RF
113T2201-11SP		1	1C	RF
113T2201-12SP		1	5C	RF
113T2201-13		1	1D	
		1	5D	
113T2201-15		1	6N	
113T2201-16		1	7H	
113T2201-17		1	1E	RF
		6	1A	RF
113T2201-18		1	5E	RF
		6	5A	RF
113T2201-19SP		1	1F	RF
		6	1	RF
113T2201-2SP		1	5	RF
113T2201-20SP		1	5F	RF
		6	5	RF
113T2201-21		1	1G	RF
		6	1B	RF

57-53-27

 ILLUSTRATED PARTS LIST  
 01.1 Page 1024Z  
 Mar 01/05


**BOEING**  
 COMPONENT  
 MAINTENANCE MANUAL

PART NUMBER	AIRLINE PART NO.	FIG.	ITEM	TTL REQ
113T2201-22		1	5G	RF
		6	5B	RF
113T2201-23SP		1	1H	RF
		6	1C	
113T2201-24SP		1	5H	RF
		6	5C	
113T2201-25SP		1	1J	RF
		6	1D	RF
113T2201-26SP		1	5J	RF
		6	5D	RF
113T2201-27		1	1K	RF
113T2201-28		1	5K	RF
113T2201-29SP		1	1L	RF
113T2201-3		1	67	1
		1	105	1
		6	61	1
		6	99	1
		7	62	1
		7	100	1
113T2201-30SP		1	5L	RF
113T2201-35		1	1M	RF
113T2201-36		1	5M	RF
113T2201-37SP		1	1N	RF
		7	1	RF
113T2201-38SP		1	5N	RF
		7	5	RF
113T2201-39SP		1	1P	RF
		7	1A	RF
113T2201-40SP		1	5P	RF
		7	5A	RF
113T2201-401SP		1	1R	RF
		7	1C	RF
113T2201-402SP		1	5R	RF
		7	5C	RF
113T2201-403G		1	1S	RF
		7	1D	RF
113T2201-404G		1	5S	RF
		7	5D	RF
113T2201-405G		1	1X	
		7	1J	
113T2201-405SP		1	2B	RF
		7	1P	RF
113T2201-406G		1	5W	
		7	5J	
113T2201-406SP		1	4Z	RF
		7	5P	RF

57-53-27

 ILLUSTRATED PARTS LIST  
 01.1 Page 1025  
 Mar 01/05

PART NUMBER	AIRLINE PART NO.	FIG.	ITEM	TTL REQ
113T2201-41G		1	1V	
		7	1G	
113T2201-41SP		1	2	RF
		1	1Q	
		7	1B	
		7	1M	RF
113T2201-42G		1	5V	
		7	5G	
113T2201-42SP		1	4X	RF
		1	5Q	
		7	5B	
		7	5M	RF
113T2201-45G		1	1T	
		7	1E	
113T2201-45SP		1	1Y	RF
		7	1K	RF
113T2201-46G		1	5T	
		7	5E	
113T2201-46SP		1	4V	RF
		7	5K	RF
113T2201-47G		1	1U	
		7	1F	
113T2201-47SP		1	1Z	RF
		7	1L	RF
113T2201-48G		1	5U	
		7	5F	
113T2201-48SP		1	4W	RF
		7	5L	RF
113T2201-49G		1	1W	
		7	1H	
113T2201-49SP		1	2A	RF
		7	1N	RF
113T2201-5SP		1	1A	
113T2201-50G		7	5H	
113T2201-50SP		1	4Y	RF
		7	5N	RF
113T2201-5001		1	6	1
113T2201-5002		1	6G	
		1	7A	1
113T2201-5003		1	6B	1
113T2201-5004		1	6J	
		1	7C	1
113T2201-5005		1	6A	1
113T2201-5006		1	6H	
		1	7B	1
113T2201-5007		1	6C	1

# 57-53-27

 ILLUSTRATED PARTS LIST  
 01.1 Page 1026  
 Mar 01/05



**BOEING**  
 COMPONENT  
 MAINTENANCE MANUAL

PART NUMBER	AIRLINE PART NO.	FIG.	ITEM	TTL REQ
113T2201-5008		1	6K	
		1	7D	1
113T2201-5009		1	6D	1
113T2201-5010		1	6L	
		1	7E	1
113T2201-5011		1	6E	1
113T2201-5012		1	6M	
		1	7F	1
113T2201-5013		1	6F	1
113T2201-5014		1	7G	1
113T2201-5015		1	6P	1
113T2201-5016		1	7J	1
113T2201-5017		1	6Q	1
113T2201-5018		1	7K	1
113T2201-5019		1	6R	1
113T2201-5020		1	7L	1
113T2201-5021		1	6S	1
113T2201-5022		1	7M	1
113T2201-5023		1	6T	1
113T2201-5024		1	7N	1
113T2201-5025		1	6U	1
113T2201-5026		1	7P	1
113T2201-5027		1	6V	1
113T2201-5028		1	7Q	1
113T2201-9		1	1B	RF
113T2202-1		1	27	1
		3	1	RF
113T2202-10		3	140	1
113T2202-11		3	20	1
		3	20B	1
113T2202-12		3	25	1
		3	25B	1
113T2202-13		3	35	1
113T2202-14		3	40	1
113T2202-15		3	160	1
113T2202-16		3	165	1
113T2202-17		3	70	1
		3	70A	
113T2202-19		3	90	1
113T2202-2		1	29	1
		3	10	RF
113T2202-20		3	95	1
113T2202-21		3	80	1
113T2202-22		3	85	1
113T2202-23		3	45	1
113T2202-24		3	50	1
113T2202-25		3	195	1

**57-53-27**

ILLUSTRATED PARTS LIST  
 01.1 Page 1026A  
 Mar 01/05



PART NUMBER	AIRLINE PART NO.	FIG.	ITEM	TTL REQ
113T2202-26		3	200	1
113T2202-27		3	175	1
113T2202-28		3	220	1
113T2202-29		3	235	1
113T2202-3		1	31	1
		3	5	RF
		6	35	1
		7	36	1
113T2202-30		3	240	1
113T2202-31		3	245	1
113T2202-32		3	250	1
113T2202-33		3	225	1
113T2202-34		3	270	1
113T2202-35		3	290	1
113T2202-36		3	295	1
113T2202-37		3	280	1
113T2202-38		3	285	1
113T2202-39		3	185	1
113T2202-4		1	33	1
		3	15	RF
		6	37	1
		7	38	1
113T2202-40		3	190	1
113T2202-41		3	170B	
113T2202-43		1	27A	1
		3	1A	RF
		3	1D	
		6	31	
		6	31A	
113T2202-44		1	29A	1
		3	10A	RF
		3	10D	
		6	33	
		6	33A	
113T2202-45		3	112	1
113T2202-46		3	117	1
113T2202-47		3	127	1
113T2202-48		3	133	1
113T2202-49		3	137	1
113T2202-5		3	110	1
113T2202-50		3	143	1
113T2202-51		1	27B	
		3	1B	
113T2202-52		1	29B	
		3	10B	

57-53-27

 ILLUSTRATED PARTS LIST  
 01.1 Page 1026B  
 Mar 01/05


**BOEING**  
 COMPONENT  
 MAINTENANCE MANUAL

PART NUMBER	AIRLINE PART NO.	FIG.	ITEM	TTL REQ
113T2202-53		1	27D	1
		3	1C	RF
		6	31B	1
		7	32	1
113T2202-54		1	29D	1
		3	10C	RF
		6	33B	1
		7	34	1
113T2202-55		3	20A	1
113T2202-56		3	25A	1
113T2202-57		1	27C	1
		3	1E	RF
113T2202-58		1	29C	1
		3	10E	RF
113T2202-59		3	160A	1
113T2202-6		3	115	1
113T2202-60		3	165A	1
113T2202-61		3	112A	1
113T2202-62		3	117A	1
113T2202-65		3	70B	
113T2202-7		3	125	1
113T2202-71		3	70C	1
113T2202-8		3	130	1
113T2202-9		3	135	1
113T2204-1		1	55	1
113T2204-15		1	55A	1
		6	39	1
		7	40	1
113T2204-16		1	56A	1
		6	41	1
		7	42	1
113T2204-2		1	56	1
113T2207-1		1	981	1
		2	1	
113T2207-10		2	525	1
		8	596	1
113T2207-11		2	759	1
		9	15	1
113T2207-15		2	753A	1
113T2207-16		2	755A	1
113T2207-17		2	753B	
113T2207-18		2	755B	
113T2207-19		1	981B	1
		2	1B	
113T2207-2		1	983	1
		2	5	

57-53-27

 ILLUSTRATED PARTS LIST  
 01.1 Page 1026C  
 Mar 01/05

PART NUMBER	AIRLINE PART NO.	FIG.	ITEM	TTL REQ
113T2207-20		1	983B	1
		2	5B	
113T2207-21		1	981C	
		2	1C	
		2	5D	
113T2207-22		1	983C	
		2	5C	
		2	6F	
113T2207-23		2	753C	1
		8	905	1
		9	1	RF
113T2207-24		2	755C	1
		8	908	1
		9	5	RF
113T2207-25		1	981D	1
		2	5N	1
		6	913	1
113T2207-26		1	983D	1
		2	6J	RF
		6	915	1
113T2207-27		1	981E	1
		2	5P	1
113T2207-28		1	983E	1
		2	6K	RF
113T2207-29		7	920	1
		8	1	RF
113T2207-3		2	753	1
113T2207-30		7	922	1
		8	5	RF
113T2207-31		7	920A	1
		8	1A	RF
113T2207-32		7	922A	1
		8	5A	RF
113T2207-33		7	920B	1
		8	1B	RF
113T2207-34		7	922B	1
		8	5B	RF
113T2207-35		7	920E	1
		8	1E	RF
113T2207-36		7	922E	1
		8	5E	RF
113T2207-37		7	920F	1
		8	1F	RF
113T2207-38		7	922F	1
		8	5F	RF
113T2207-4		2	755	1

# 57-53-27

 ILLUSTRATED PARTS LIST  
 01.1 Page 1026D  
 Mar 01/05


**BOEING**  
 COMPONENT  
 MAINTENANCE MANUAL

PART NUMBER	AIRLINE PART NO.	FIG.	ITEM	TTL REQ
113T2207-401		7	920C	1
		8	1C	RF
113T2207-402		7	922C	1
		8	5C	RF
113T2207-403		7	920D	1
		8	1D	RF
113T2207-404		7	922D	1
		8	5D	RF
113T2207-5		2	808	1
		9	75	1
113T2207-5001		1	985	1
		2	5G	RF
113T2207-5002		1	987	1
		2	6	RF
113T2207-5003		1	985D	1
		2	5L	RF
113T2207-5004		1	987D	1
		2	6D	RF
113T2207-5005		1	985A	1
		2	5H	RF
113T2207-5006		1	987A	1
		2	6A	RF
113T2207-5007		1	985B	1
		2	5J	RF
113T2207-5008		1	987B	1
		2	6B	RF
113T2207-5009		1	985C	1
		2	5K	RF
113T2207-5010		1	987C	1
		2	6C	RF
113T2207-5011		2	5M	
113T2207-5012		2	6E	
113T2207-5013		1	985E	1
		2	5E	RF
113T2207-5014		1	987E	1
		2	6G	RF
113T2207-5015		1	985F	
		2	5F	
113T2207-5016		1	987F	
		2	6H	
113T2207-6		2	810	1
		9	80	1
113T2207-7		2	884	1
		9	325	1
113T2207-8		2	886	1
		9	330	1

57-53-27

 ILLUSTRATED PARTS LIST  
 01.1 Page 1026E  
 Mar 01/05

PART NUMBER	AIRLINE PART NO.	FIG.	ITEM	TTL REQ
113T2207-9		2	523	1
		8	593	1
113T2211-1		2	985	1
		9	670	1
113T2211-10		2	998A	1
		2	998B	
113T2211-13		2	997B	
113T2211-14		2	998B	
113T2211-2		2	987	1
		9	675	1
113T2211-21		2	997C	1
113T2211-22		2	998B	1
113T2211-3		2	989	1
		9	680	1
113T2211-4		2	991	1
		9	685	1
113T2211-5		2	993	1
		9	690	1
113T2211-6		2	995	1
		9	695	1
113T2211-7		2	997	1
113T2211-8		2	998	1
		2	998B	
113T2211-9		2	997A	1
113T2212-10		2	795	1
113T2212-11		2	839	1
		9	175	1
113T2212-12		2	841	1
		9	180	1
113T2212-13		2	854	1
		9	225	1
113T2212-14		2	856	1
		9	230	1
113T2212-15		2	869	1
		9	275	1
113T2212-16		2	871	1
		9	280	1
113T2212-17		2	907	1
		9	420	1
113T2212-18		2	908	1
		9	425	1
113T2212-19		2	917	1
		9	470	1
113T2212-20		2	918	1
		9	475	1
113T2212-21		2	929	1
		9	520	1

# 57-53-27

 ILLUSTRATED PARTS LIST  
 01.1 Page 1026F  
 Mar 01/05


**BOEING**  
 COMPONENT  
 MAINTENANCE MANUAL

PART NUMBER	AIRLINE PART NO.	FIG.	ITEM	TTL REQ
113T2212-22		2	931	1
		9	525	1
113T2212-23		2	945	1
		9	570	1
113T2212-24		2	947	1
		9	575	1
113T2212-25		2	965	1
		9	620	1
113T2212-26		2	967	1
		9	625	1
113T2212-27		2	774	1
		9	65	1
113T2212-28		2	776	1
		9	70	1
113T2212-29		2	789	1
113T2212-3		2	831	1
		9	155	1
113T2212-30		2	791	1
113T2212-31		2	804	1
113T2212-32		2	806	1
113T2212-33		2	850	1
		9	215	1
113T2212-34		2	852	1
		9	220	1
113T2212-35		2	865	1
		9	265	1
113T2212-36		2	867	1
		9	270	1
113T2212-37		2	880	1
		9	315	1
113T2212-38		2	882	1
		9	320	1
113T2212-39		2	915	1
		9	460	1
113T2212-4		2	833	1
		9	160	1
113T2212-40		2	916	1
		9	465	1
113T2212-41		2	925	1
		9	510	1
113T2212-42		2	927	1
		9	515	1
113T2212-43		2	941	1
		9	560	1
113T2212-44		2	943	1
		9	565	1

57-53-27

 ILLUSTRATED PARTS LIST  
 01.1 Page 1026G  
 Mar 01/05

PART NUMBER	AIRLINE PART NO.	FIG.	ITEM	TTL REQ
113T2212-45		2	961	1
		9	610	1
113T2212-46		2	963	1
		9	615	1
113T2212-47		2	981	1
		9	660	1
113T2212-48		2	983	1
		9	665	1
113T2212-5		2	763	1
		9	25	1
113T2212-51		2	905	1
		9	410	1
113T2212-52		2	906	1
		9	415	1
113T2212-55		2	827	1
		9	145	1
113T2212-56		2	829	1
		9	150	1
113T2212-57		2	819	1
		9	125	1
113T2212-58		2	821	1
		9	130	1
113T2212-6		2	765	1
		9	30	1
113T2212-61		2	823	1
		9	135	1
113T2212-62		2	825	1
		9	140	1
113T2212-63		2	891	1
		9	350	1
113T2212-64		2	892	1
		9	355	1
113T2212-65		2	897	1
		9	380	1
113T2212-66		2	898	1
		9	385	1
113T2212-67		2	835	1
		9	165	1
113T2212-69		2	837	1
		9	170	1
113T2212-7		2	778	1
113T2212-8		2	780	1
113T2212-9		2	793	1
113T2220-1		2	583	1
113T2220-10		2	729	1
		8	863	1

# 57-53-27

 ILLUSTRATED PARTS LIST  
 01.1 Page 1026H  
 Mar 01/05


**BOEING**  
 COMPONENT  
 MAINTENANCE MANUAL

PART NUMBER	AIRLINE PART NO.	FIG.	ITEM	TTL REQ
113T2220-11		2	619	5
		8	710	5
113T2220-13		2	599	2
		8	698	2
113T2220-15		2	635	1
		8	722	1
113T2220-17		2	631	1
		8	719	1
113T2220-19		2	603	2
		8	701	2
113T2220-2		2	585	1
113T2220-21		2	627	3
		8	716	3
113T2220-23		2	595	3
		8	695	3
113T2220-25		2	587	1
		8	689	1
113T2220-27		2	607	1
		8	704	1
113T2220-29		2	623	1
		8	713	1
113T2220-3		2	723	1
		8	854	1
113T2220-31		2	615	2
		8	707	2
113T2220-35		2	591	3
		8	692	3
113T2220-39		2	685A	1
113T2220-4		2	725	1
		8	857	1
113T2220-40		2	687A	1
113T2220-41		2	685B	1
		8	788	1
113T2220-42		2	687B	1
		8	791	1
113T2220-43		2	697A	1
		8	815	1
113T2220-44		2	699A	1
		8	818	1
113T2220-45		8	683	1
113T2220-46		8	686	1
113T2220-5		2	685	1
113T2220-5001		2	585G	1
113T2220-5002		2	586	1
113T2220-5003		2	585H	1
113T2220-5004		2	586A	1
113T2220-5005		2	585K	1

57-53-27

 ILLUSTRATED PARTS LIST  
 01.1 Page 1026I  
 Mar 01/05



PART NUMBER	AIRLINE PART NO.	FIG.	ITEM	TTL REQ
113T2220-5006		2	586C	1
113T2220-5007		2	585J	1
113T2220-5008		2	586B	1
113T2220-6		2	687	1
113T2220-7		2	697	1
113T2220-8		2	699	1
113T2220-9		2	727	1
		8	860	1
113T2221-1		2	737	1
113T2221-2		2	739	1
113T2221-3		2	741	1
113T2221-4		2	743	1
113T2221-5		2	737A	1
		8	881	1
113T2221-6		2	739A	1
		8	884	1
113T2221-7		2	741A	1
		8	887	1
113T2221-8		2	743A	1
		8	890	1
113T2222-1		2	117	1
113T2222-10		2	163	
		5	65	1
		5	95	1
		5	135	1
		5	165	9
113T2222-11		2	149	
		5	180	4
113T2222-12		2	151	
		5	185	4
113T2222-13		2	137	
		5	190	2
113T2222-14		2	139	
		5	195	2
113T2222-15		2	121	
		5	210	1
113T2222-16		2	123	
		5	215	1
113T2222-17		2	125	
		5	200	1
113T2222-18		2	127	
		5	205	1
113T2222-2		2	119	1
113T2222-21		2	215A	
		2	231A	
		5	420A	1

# 57-53-27

 ILLUSTRATED PARTS LIST  
 01.1 Page 1026J  
 Mar 01/05


**BOEING**  
 COMPONENT  
 MAINTENANCE MANUAL

PART NUMBER	AIRLINE PART NO.	FIG.	ITEM	TTL REQ
113T2222-22		2	217A	
		2	233A	
		5	425A	1
113T2222-23		2	215B	
		5	315A	1
113T2222-24		2	217B	
		5	320A	1
113T2222-25		2	117B	1
		5	1C	RF
		8	191	1
113T2222-26		2	119B	1
		5	5C	RF
		8	194	1
113T2222-27		5	35	1
113T2222-29		2	117C	
		5	1D	
113T2222-3		2	255	
		5	430	1
113T2222-30		2	119C	
		5	5D	
113T2222-31		5	170	
113T2222-32		5	175	
113T2222-5		2	215	
		5	315	1
113T2222-5001		2	119G	1
		5	1	RF
113T2222-5002		2	120	1
		5	5	RF
113T2222-5003		2	119H	1
		5	1A	RF
113T2222-5004		2	120A	1
		5	5A	RF
113T2222-5005		2	119J	1
		5	1B	RF
113T2222-5006		2	120B	1
		5	5B	RF
113T2222-6		2	217	
		5	320	1
113T2222-7		2	231	
		5	420	1
113T2222-8		2	233	
		5	425	1
113T2222-9		2	161	
		5	60	1
		5	90	1
		5	130	1
		5	160	9

57-53-27

 ILLUSTRATED PARTS LIST  
 01.1 Page 1026K  
 Mar 01/05

PART NUMBER	AIRLINE PART NO.	FIG.	ITEM	TTL REQ
113T2223-1		2	271	
		5	470	1
113T2223-10		2	273A	
		5	475A	1
113T2223-11		2	267A	
		5	460A	1
113T2223-12		2	269A	
		5	465A	1
113T2223-2		2	273	
		5	475	1
113T2223-3		2	275	
		5	480	1
113T2223-4		2	277	
		5	485	1
113T2223-5		2	267	
		5	460	1
113T2223-6		2	269	
		5	465	1
113T2223-7		2	275A	
		5	480A	1
113T2223-8		2	277A	
		5	485A	1
113T2223-9		2	271A	
		5	470A	1
113T2224-1		1	477	1
113T2224-2		1	479	1
113T2224-21		1	477A	1
		4	1B	RF
		4	1E	RF
		6	475	1
		6	475C	1
113T2224-22		1	479A	1
		4	5B	RF
		4	5E	RF
		6	477	1
		6	477C	1
113T2224-23		1	477B	
		4	1C	
113T2224-24		1	479B	
		4	5C	
113T2224-25		1	477C	1
		4	1D	RF
		4	1F	RF
		6	475A	1
		6	475B	1
		7	474	1

# 57-53-27

 ILLUSTRATED PARTS LIST  
 01.1 Page 1026L  
 Mar 01/05


**BOEING**  
 COMPONENT  
 MAINTENANCE MANUAL

PART NUMBER	AIRLINE PART NO.	FIG.	ITEM	TTL REQ
113T2224-26		1	479C	1
		4	5D	RF
		4	5F	RF
		6	477A	1
		6	477B	1
		7	476	1
		4	1G	RF
113T2224-401		7	474A	1
113T2224-402		4	5G	RF
		7	476A	1
113T2224-5		1	655	
113T2224-5001		4	480	1
		1	480	1
113T2224-5002		4	1	RF
		1	480G	1
113T2224-5003		4	5	RF
		1	480A	1
113T2224-5004		4	1A	RF
		1	480H	1
113T2224-6		4	5A	RF
		1	653	
113T2225-1		4	475	1
		1	657	
113T2225-2		4	485	1
		1	659	
113T2225-3		4	490	1
		1	661	
113T2225-4		4	495	1
		1	663	
113T2225-401		4	500	1
		4	495B	1
113T2225-402		4	500B	1
113T2225-5		1	657A	
		4	485A	1
113T2225-6		1	659A	
		4	490A	1
113T2225-7		4	495A	1
113T2225-8		4	500A	1
113T2226-1		2	195	
		5	305	1
113T2226-2		2	197	
		5	310	1
113T2230-1		2	42	1
113T2230-2		2	43	1
		2	42A	
113T2230-3		1	735	1
113T2230-4		1	736	1

57-53-27

 ILLUSTRATED PARTS LIST  
 01.1 Page 1026M  
 Mar 01/05

PART NUMBER	AIRLINE PART NO.	FIG.	ITEM	TTL REQ
113T2230-5		2	42B	1
		8	56	1
113T2230-6		2	43A	1
		8	59	1
113T2230-7		1	735A	1
		6	665	1
		7	666	1
113T2230-8		1	736A	1
		6	667	1
		7	668	1
113T2231-1		2	37	1
		8	47	1
113T2231-2		2	39	1
		8	50	1
113T2231-4		2	320	
		2	324G	1
		8	275	1
113T2232-1		2	285	1
113T2232-10		2	286A	1
		8	215	1
113T2232-11		2	325A	1
		8	278	1
113T2232-12		2	326A	1
		8	281	1
113T2232-13		2	327A	1
		8	284	1
113T2232-14		2	329A	1
		8	287	1
113T2232-2		2	286	1
113T2232-3		2	325	1
113T2232-4		2	326	1
113T2232-5		2	327	1
113T2232-6		2	329	1
113T2232-9		2	285A	1
		8	212	1
113T2233-1		2	337	1
113T2233-2		2	339	1
113T2233-3		1	813	1
113T2233-4		1	815	1
113T2233-5		2	337A	1
		8	299	1
113T2233-6		2	339A	1
		8	302	1
113T2233-7		1	813A	1
		6	759	1
		7	762	1

# 57-53-27

 ILLUSTRATED PARTS LIST  
 01.1 Page 1026N  
 Mar 01/05


**BOEING**  
 COMPONENT  
 MAINTENANCE MANUAL

PART NUMBER	AIRLINE PART NO.	FIG.	ITEM	TTL REQ
113T2233-8		1	815A	1
		6	761	1
		7	764	1
113T2234-1		2	386	1
113T2234-10		1	864B	1
		6	811	1
		7	814	1
113T2234-11		2	386B	1
		8	377	1
113T2234-12		2	387B	1
		8	380	1
113T2234-13		1	863C	
113T2234-14		1	864C	
113T2234-2		2	387	1
113T2234-3		1	863	1
113T2234-4		1	864	1
113T2234-401		7	812A	
		8	377A	1
113T2234-402		7	814A	
		8	380A	1
113T2234-403		7	812B	1
113T2234-404		7	814B	1
113T2234-5		2	386A	1
113T2234-6		2	387A	1
113T2234-7		1	863A	1
113T2234-8		1	864A	1
113T2234-9		1	863B	1
		6	809	1
		7	812	1
113T2235-1		2	509	1
		8	572	1
113T2235-2		2	511	1
		8	575	1
113T2236-1		2	341	1
113T2236-10		1	819A	1
		6	807	1
		7	768	1
113T2236-2		2	343	1
113T2236-3		1	817	1
113T2236-4		1	819	1
113T2236-7		2	341A	1
		8	305	1
113T2236-8		2	343A	1
		8	308	1
113T2236-9		1	817A	1
		6	805	1
		7	766	1

57-53-27

 ILLUSTRATED PARTS LIST  
 01.1 Page 10260  
 Mar 01/05

PART NUMBER	AIRLINE PART NO.	FIG.	ITEM	TTL REQ
113T2237-1		2	52	1
113T2237-10		2	53A	1
		8	83	1
113T2237-11		2	99A	1
		8	155	1
113T2237-12		2	101A	1
		8	158	1
113T2237-13		2	103A	1
		8	161	1
113T2237-14		2	105A	1
		8	164	1
113T2237-2		2	53	1
113T2237-3		2	99	1
113T2237-4		2	101	1
113T2237-5		2	103	1
113T2237-6		2	105	1
113T2237-9		2	52A	1
		8	80	1
113T2238-1		2	391	1
113T2238-10		1	919	1
113T2238-11		1	921	1
113T2238-12		1	923	1
113T2238-14		1	917A	1
113T2238-15		1	919A	1
113T2238-16		1	921A	1
113T2238-17		1	923A	1
113T2238-18		1	869A	1
113T2238-19		1	870A	1
113T2238-2		2	393	1
113T2238-20		2	453A	1
		8	488	1
113T2238-21		2	455A	1
		8	491	1
113T2238-22		2	457A	1
		8	494	1
113T2238-23		2	459A	1
		8	497	1
113T2238-24		2	391A	1
		8	392	1
113T2238-25		2	393A	1
		8	395	1
113T2238-27		1	869B	1
		6	821	1
		7	824	1
113T2238-28		1	870B	1
		6	823	1
		7	826	1

# 57-53-27

 ILLUSTRATED PARTS LIST  
 01.1 Page 1026P  
 Mar 01/05


**BOEING**  
 COMPONENT  
 MAINTENANCE MANUAL

PART NUMBER	AIRLINE PART NO.	FIG.	ITEM	TTL REQ
113T2238-29		1	917B	1
		6	851	1
		7	870	1
113T2238-3		1	869	1
113T2238-30		1	919B	1
		6	853	1
		7	872	1
113T2238-31		1	921B	1
		6	855	1
		7	874	1
113T2238-32		1	923B	1
		6	857	1
		7	876	1
113T2238-33		1	869C	
113T2238-34		1	870C	
113T2238-4		1	870	1
113T2238-5		2	453	1
113T2238-6		2	455	1
113T2238-7		2	457	1
113T2238-8		2	459	1
113T2238-9		1	917	1
113T2239-1		1	761	1
		6	755	1
		7	710	1
113T2239-2		1	763	1
		6	757	1
		7	712	1
113T2240-1		2	745	1
113T2240-15		2	745A	1
		8	893	1
113T2240-16		2	747A	1
		8	896	1
113T2240-17		2	745B	
113T2240-18		2	747B	
113T2240-2		2	747	1
113T2241-1		2	749	1
113T2241-15		2	749A	1
		8	899	1
113T2241-16		2	751A	1
		8	902	1
113T2241-17		2	749B	
113T2241-18		2	751B	
113T2241-2		2	751	1
113T2242-1		1	929	1
113T2242-13		1	929A	1
		6	875	1
		7	882	1

57-53-27

 ILLUSTRATED PARTS LIST  
 01.1 Page 1026Q  
 Mar 01/05



PART NUMBER	AIRLINE PART NO.	FIG.	ITEM	TTL REQ
113T2242-14		1	931A	1
		6	877	1
		7	884	1
113T2242-17		1	929B	
113T2242-18		1	931B	
113T2242-2		1	931	1
113T2243-1		1	951	1
		6	893	1
		7	900	1
113T2243-2		1	953	1
		6	895	1
		7	902	1
113T2250-1		2	35	1
		8	44	1
113T2250-3		2	41	1
		8	53	1
113T2250-401		2	35C	1
		8	44B	1
		8	44E	1
113T2250-403		2	41B	1
		8	53A	1
		2	35A	1
113T2250-5		8	44A	1
		8	44C	1
		2	35B	1
113T2250-7		8	44D	1
		2	41A	1
		8	53B	1
113T2250-8		2	29	1
		2	29A	1
		8	35	1
113T2251-401		8	35A	1
		1	15	
		1	22	1
113T2252-1		6	23	1
		7	24	1
		1	22H	1
113T2252-10		6	25A	1
		7	26B	1
		1	19A	1
113T2252-11		6	19A	1
		7	20B	1
		1	21A	1
113T2252-12		6	21A	1
		7	22B	1

# 57-53-27

 ILLUSTRATED PARTS LIST  
 01.1 Page 1026R  
 Mar 01/05


**BOEING**  
 COMPONENT  
 MAINTENANCE MANUAL

PART NUMBER	AIRLINE PART NO.	FIG.	ITEM	TTL REQ
113T2252-13		1	15B	1
		6	15A	1
		7	16B	1
113T2252-14		1	17B	1
		6	17A	1
		7	18B	1
113T2252-2		1	17	
		1	22G	1
		6	25	1
113T2252-3		7	26	1
		1	19	1
		6	19	1
113T2252-4		7	20	1
		1	21	1
		6	21	1
113T2252-401		7	22	1
		1	15C	1
		6	15B	1
113T2252-402		7	16A	1
		7	16C	1
		1	17C	1
113T2252-403		6	17B	1
		7	18A	1
		7	18C	1
113T2252-404		1	22B	1
		6	23B	1
		7	24A	1
113T2252-405		1	22J	1
		6	25B	1
		7	26A	1
113T2252-406		1	19B	1
		6	19B	1
		7	20A	1
113T2252-5		1	21B	1
		6	21B	1
		7	22A	1
113T2252-6		1	15A	1
		6	15	1
		7	16	1
113T2252-9		1	17A	1
		6	17	1
		7	18	1
113T2252-9		1	22A	1
		6	23A	1
		7	24B	1

57-53-27

 ILLUSTRATED PARTS LIST  
 01.1 Page 1026S  
 Mar 01/05

PART NUMBER	AIRLINE PART NO.	FIG.	ITEM	TTL REQ
113T2253-1		2	18	1
		2	19	
		8	21	1
113T2253-2		2	17	
		2	19A	1
		8	22	1
113T2253-3		2	17A	1
		8	20	1
113T2253-401		8	20A	1
		8	20C	1
113T2253-403		8	21A	1
113T2253-405		8	22A	1
113T2253-5		8	21B	1
113T2253-6		8	22B	1
113T2253-7		8	20B	1
113T2254-1		2	15	
		2	15K	1
113T2254-3		2	16	1
113T2254-4		2	15N	1
113T2254-5		2	15B	1
113T2255-1		2	513	1
113T2255-10		2	515A	1
		8	581	1
113T2255-11		2	533A	1
		8	608	1
113T2255-12		2	535A	1
		8	611	1
113T2255-13		2	537A	1
		8	614	1
113T2255-14		2	539A	1
		8	617	1
113T2255-2		2	515	1
113T2255-3		2	533	1
113T2255-4		2	535	1
113T2255-5		2	537	1
113T2255-6		2	539	1
113T2255-9		2	513A	1
		8	578	1
113T2256-1		2	657	2
		8	746	2
113T2256-2		2	659	2
		8	749	2
113T2257-1		1	525	
		4	155	4
113T2257-10		4	190	1
113T2257-2		1	527	
		4	160	4

57-53-27

 ILLUSTRATED PARTS LIST  
 01.1 Page 1026T  
 Mar 01/05


**BOEING**  
 COMPONENT  
 MAINTENANCE MANUAL

PART NUMBER	AIRLINE PART NO.	FIG.	ITEM	TTL REQ
113T2257-5		4	165	2
113T2257-6		4	170	2
113T2257-7		4	175	1
113T2257-8		4	180	1
113T2257-9		4	185	1
113T2258-1		2	173	
		5	265	2
113T2258-2		2	175	
		5	270	2
113T2258-3		1	505	
		4	95	2
113T2258-4		1	507	
		4	100	2
113T2258-7		4	95A	2
113T2258-8		4	100A	2
113T2259-1		2	671	2
		8	767	2
113T2259-2		1	599	
		4	355	1
113T2259-3		1	565	
		4	295	1
113T2259-4		1	563	
		4	290	1
113T2260-1		1	664	1
113T2260-10		1	665B	1
		6	481	1
113T2260-11		1	664C	
113T2260-12		1	665C	
113T2260-13		1	708E	1
113T2260-14		1	708J	1
113T2260-15		7	534	1
113T2260-16		7	536	1
113T2260-17		1	664D	1
		7	478	1
113T2260-18		1	665D	1
		7	480	1
113T2260-2		1	665	1
113T2260-3		1	688	1
113T2260-4		1	689	1
113T2260-401		7	534A	1
113T2260-402		7	536A	1
113T2260-5		1	664A	1
113T2260-6		1	665A	1
113T2260-7		1	708D	1
		6	527	1
113T2260-8		1	708F	1
		6	529	1

57-53-27

 ILLUSTRATED PARTS LIST  
 01.1 Page 1026U  
 Mar 01/05

PART NUMBER	AIRLINE PART NO.	FIG.	ITEM	TTL REQ
113T2260-9		1	664B	1
		6	479	1
113T2261-1		1	690	1
113T2261-11		1	694	1
		1	708Z	1
113T2261-12		6	549	1
		7	556	1
		1	695	1
113T2261-13		1	709A	1
		6	551	1
		7	558	1
113T2261-14		1	696	1
		1	709B	1
		6	553	1
113T2261-15		7	560	1
		1	715	1
		6	617	1
113T2261-16		7	620	1
		1	723	1
		6	633	1
113T2261-17		7	636	1
		1	724	1
		6	635	1
113T2261-18		7	638	1
		1	713	1
		6	613	1
113T2261-19		7	616	1
		1	714	1
		6	615	1
113T2261-20		7	618	1
		1	693	2
		1	712	2
113T2261-21		1	708Y	2
		6	547	2
		7	554	2
113T2261-22		1	691	1
		1	700	2
		1	719	1
113T2261-23		1	699	1
		1	709E	1
		6	559	1
113T2261-24		7	566	1
		1	718	1
		6	623	1
113T2261-25		7	626	1

**57-53-27**

 ILLUSTRATED PARTS LIST  
 01.1 Page 1026V  
 Mar 01/05


**BOEING**  
 COMPONENT  
 MAINTENANCE MANUAL

PART NUMBER	AIRLINE PART NO.	FIG.	ITEM	TTL REQ
113T2261-23		1	704	1
		1	722	
		1	709K	1
		1	709Q	1
		6	569	1
		6	579	1
		7	576	1
		7	586	1
113T2261-25		1	666	1
113T2261-26		1	667	1
113T2261-27		1	668	
		1	671A	1
113T2261-28		1	669	
		1	672A	1
113T2261-3		1	709	
		1	710A	1
113T2261-31		6	595	1
		1	671	
		1	668A	1
113T2261-32		6	487	1
		7	486	1
		1	672	
		1	669A	1
113T2261-33		6	489	1
		7	488	1
		1	673	
		1	670A	1
113T2261-36		6	491	1
		1	670	
		1	673A	12
		6	497	12
113T2261-39		7	494	12
		1	692G	1
		1	692J	1
		1	708W	1
		6	543	1
113T2261-4		7	550	1
		1	710	
		1	710C	1
113T2261-40		6	597	1
		1	692L	1
		1	692N	1
		1	708X	1
		6	545	1
		7	552	1

# 57-53-27

 ILLUSTRATED PARTS LIST  
 01.1 Page 1026W  
 Mar 01/05

PART NUMBER	AIRLINE PART NO.	FIG.	ITEM	TTL REQ
113T2261-41		1	711G	1
		1	711J	1
		6	605	1
		6	605B	1
		7	608	1
113T2261-42		1	711L	1
		1	711N	1
		6	607	1
		6	607B	1
113T2261-44		7	610	1
		1	712G	1
		6	611	1
113T2261-45		7	614	1
		1	707G	1
		1	709R	1
113T2261-46		6	581	1
		7	588	1
		1	707L	1
		1	709T	1
113T2261-47		6	585	1
		7	592	1
		1	707N	1
		1	709U	1
		6	587	1
113T2261-48		7	594	1
		1	707Q	1
		1	709V	1
		6	589	1
113T2261-49		7	596	1
		1	707J	2
		1	709S	2
		6	583	2
113T2261-5		7	590	2
		1	708	1
		1	709W	1
113T2261-50		6	591	1
		7	598	1
		1	712A	1
		6	609	1
113T2261-5001		7	612	1
		1	691H	1
		1	691M	1
		1	691G	1
		1	691L	1
113T2261-5004		1	691L	1
		1	710H	1
113T2261-5005		6	599A	1

# 57-53-27

 ILLUSTRATED PARTS LIST  
 01.1 Page 1026X  
 Mar 01/05


**BOEING**  
 COMPONENT  
 MAINTENANCE MANUAL

PART NUMBER	AIRLINE PART NO.	FIG.	ITEM	TTL REQ
113T2261-5006		1	710M	1
		6	601A	1
113T2261-5007		1	710G	1
		6	599	1
113T2261-5008		1	710L	1
		6	601	1
113T2261-51		1	719A	1
		6	625	1
		7	628	1
113T2261-52		1	722A	1
		6	631	1
		7	634	1
113T2261-55		1	692H	1
113T2261-56		1	692M	1
113T2261-57		1	711H	1
		6	605A	1
		7	608A	1
113T2261-58		1	711M	1
		6	607A	1
		7	610A	1
113T2261-59		1	666A	1
113T2261-6		1	708B	1
		1	708G	1
		1	709X	1
		6	593	1
		7	600	1
113T2261-60		1	667A	1
113T2261-61		1	671B	1
113T2261-62		1	672B	1
113T2261-63		1	708H	1
		1	708L	1
		6	531	1
		7	538	1
113T2261-64		1	708K	1
		1	708M	1
		6	533	1
		7	540	1
113T2261-65		1	709F	1
		6	561	1
		7	568	1
113T2261-66		1	709G	1
		6	563	1
		7	570	1
113T2261-67		1	709L	1
		6	571	1
		7	578	1

57-53-27

 ILLUSTRATED PARTS LIST  
 01.1 Page 1026Y  
 Mar 01/05



PART NUMBER	AIRLINE PART NO.	FIG.	ITEM	TTL REQ
113T2261-68		1	709M	1
		6	573	1
		7	580	1
113T2261-69		1	666B	1
		6	483	1
113T2261-7		1	725	1
		6	637	1
		7	640	1
113T2261-70		1	667B	1
		6	485	1
113T2261-71		1	671C	1
		6	493	1
		7	490	1
113T2261-72		1	672C	1
		6	495	1
		7	492	1
113T2261-77		1	666C	
113T2261-78		1	667C	
113T2261-79		1	671D	
113T2261-8		1	726	1
		6	639	1
		7	642	1
113T2261-80		1	672D	
113T2261-91		1	709Y	1
		6	590	1
		7	597	1
113T2261-92		1	709Z	1
		6	590J	1
		7	597J	1
113T2261-93		7	602	1
113T2261-94		7	604	1
113T2261-95		1	666E	1
113T2261-96		1	667E	1
113T2261-97		1	666D	1
		7	482	1
113T2261-98		1	667D	1
		7	484	1
113T2263-3		1	543	
		4	205	1
113T2263-4		1	545	
		4	210	1
113T2263-5		1	591	
		4	320	1
113T2263-6		1	589	
		4	315	1

# 57-53-27

 ILLUSTRATED PARTS LIST  
 01.1 Page 1026Z  
 Mar 01/05


**BOEING**  
 COMPONENT  
 MAINTENANCE MANUAL

PART NUMBER	AIRLINE PART NO.	FIG.	ITEM	TTL REQ
113T2263-7		1	727A	10
		6	649	10
		7	644	10
113T2264-1		1	674	1
		6	507	1
		7	496	1
113T2264-3		1	675	1
		1	680	10
		6	509	1
		6	517	10
		7	498	1
113T2265-1		7	508	10
		1	731	1
		6	655	1
		7	654	1
113T2265-2		1	730G	1
		6	653	1
		7	652	1
113T2265-403		8	504	1
113T2266-1		1	732	12
		6	661	12
113T2266-2		1	732G	12
		6	663	12
113T2266-3		1	732A	12
		7	658	12
		7	665	1
113T2266-4		1	732H	12
		7	660	12
		7	665F	1
113T2270-1		1	209	1
113T2270-10		1	210	1
		6	211	1
113T2270-11		1	210A	1
		7	208	1
113T2270-12		1	248A	1
		7	250	1
113T2270-3		1	247	1
113T2270-401		7	208A	1
113T2270-403		7	250A	1
113T2270-5		1	243	1
		6	241	1
		7	246	1
113T2270-6		1	245	1
		6	243	1
		7	248	1

57-53-27

 ILLUSTRATED PARTS LIST  
 01.1 Page 1027  
 Mar 01/05

PART NUMBER	AIRLINE PART NO.	FIG.	ITEM	TTL REQ
113T2270-7		1	241	1
		6	239	1
		7	244	1
113T2270-9		1	248	1
		6	245	1
		1	285A	1
113T2271-13		1	287A	1
		1	303A	1
113T2271-14		6	303	1
		7	308	1
		1	305A	1
113T2271-16		6	305	1
		7	310	1
		1	325A	1
113T2271-17		6	325	1
		7	330	1
		1	327A	1
113T2271-18		6	327	1
		7	332	1
		1	307A	1
113T2271-19		7	290C	
		1	309A	1
113T2271-20		7	292C	
		1	330	
		1	333B	1
113T2271-22		7	329	1
		1	334	1
		1	330G	
113T2271-23		7	329L	1
		1	286	1
		1	288	1
113T2271-24		1	310	1
		6	307	1
		7	312	1
113T2271-26		1	310G	1
		6	309	1
		7	314	1
113T2271-27		1	332	1
		6	329	1
		7	334	1
113T2271-28		1	332G	1
		6	331	1
		7	336	1
113T2271-29		1	286A	1
		6	289	1
113T2271-30		1	288A	1
		6	291	1
		1	291	1

# 57-53-27

 ILLUSTRATED PARTS LIST  
 01.1 Page 1028  
 Mar 01/05


**BOEING**  
 COMPONENT  
 MAINTENANCE MANUAL

PART NUMBER	AIRLINE PART NO.	FIG.	ITEM	TTL REQ
113T2271-31		1	286B	
113T2271-32		1	288B	
113T2271-33		1	286C	1
		6	289A	1
		6	289B	1
		7	290	1
113T2271-34		1	288C	1
		6	291A	1
		6	291B	1
		7	292	1
113T2271-35		1	325C	1
		6	325B	1
		7	330B	1
113T2271-36		1	327C	1
		6	327B	1
		7	332B	1
113T2271-37		1	332B	1
		6	329B	1
		7	330C	1
113T2271-38		1	332J	1
		6	331B	1
		7	332C	1
113T2271-39		1	303C	1
		6	303B	1
		7	308B	1
113T2271-40		1	305C	1
		6	305B	1
		7	310B	1
113T2271-401		7	290A	1
113T2271-402		7	292A	1
113T2271-403		7	308A	1
113T2271-404		7	310A	1
113T2271-405		7	330A	1
113T2271-406		7	332A	1
113T2271-407		7	312A	1
113T2271-408		7	314A	1
113T2271-409		7	334A	1
113T2271-41		1	310B	1
		6	307B	1
		7	312B	1
113T2271-410		7	336A	1
113T2271-411		7	330D	1
113T2271-412		7	332D	1
113T2271-413		7	334B	1
113T2271-414		7	336B	1
113T2271-415		7	308C	1
113T2271-416		7	310C	1

57-53-27

 ILLUSTRATED PARTS LIST  
 01.1 Page 1028A  
 Mar 01/05

PART NUMBER	AIRLINE PART NO.	FIG.	ITEM	TTL REQ
113T2271-417		7	312C	1
113T2271-418		7	314C	1
113T2271-419		7	290D	1
113T2271-42		1	310J	1
		6	309B	1
		7	314B	1
113T2271-420		7	292D	1
113T2271-43		1	286E	1
		6	289D	1
		7	290B	1
		7	290E	1
113T2271-44		1	288E	1
		6	291D	1
		7	292B	1
		7	292E	1
113T2271-7		1	329	1
113T2271-8		1	331	1
113T2272-1		1	125	1
113T2272-10		1	127B	
113T2272-11		1	137C	1
		6	133A	1
		7	132A	1
113T2272-12		1	139C	1
		6	135A	1
		7	134A	1
113T2272-13		1	137B	1
113T2272-14		1	139B	1
113T2272-15		1	137D	1
		6	133B	1
		7	132B	1
113T2272-16		1	139D	1
		6	135B	1
		7	134B	1
113T2272-2		1	127	1
113T2272-3		1	137	1
113T2272-4		1	139	1
113T2272-5		1	125A	1
		6	121	1
		7	120	1
113T2272-6		1	127A	1
		6	123	1
		7	122	1
113T2272-7		1	137A	1
		6	133	1
		7	132	1

# 57-53-27

 ILLUSTRATED PARTS LIST  
 01.1 Page 1028B  
 Mar 01/05


**BOEING**  
 COMPONENT  
 MAINTENANCE MANUAL

PART NUMBER	AIRLINE PART NO.	FIG.	ITEM	TTL REQ
113T2272-8		1	139A	1
		6	135	1
		7	134	1
113T2272-9		1	125B	
113T2273-1		1	429	1
113T2273-10		1	445A	1
		6	443	1
		7	442	1
113T2273-11		1	429B	
113T2273-12		1	431B	
113T2273-2		1	431	1
113T2273-3		1	443	1
113T2273-4		1	445	1
113T2273-7		1	429A	1
		6	425	1
		7	424	1
113T2273-8		1	431A	1
		6	427	1
		7	426	1
113T2273-9		1	443A	1
		6	441	1
		7	440	1
113T2274-1		1	447	1
113T2274-10		1	450	1
		6	447	1
		7	446	1
113T2274-2		1	449	1
113T2274-3		1	473	1
113T2274-4		1	475	1
113T2274-7		1	474	1
		6	467	1
		7	470	1
113T2274-8		1	476	1
		6	469	1
		7	472	1
113T2274-9		1	448	1
		6	445	1
		7	444	1
113T2275-1		1	357	1
113T2275-10		6	361	1
		1	396	1
		6	387A	1
113T2275-2		7	386	1
113T2275-2		1	359	1
		6	363	1
		1	393	1
113T2275-3		1	393	1
		6	385	1

57-53-27

 ILLUSTRATED PARTS LIST  
 01.1 Page 1028C  
 Mar 01/05

PART NUMBER	AIRLINE PART NO.	FIG.	ITEM	TTL REQ
113T2275-4		1	395	1
		6	387	1
113T2275-7		1	358	1
		6	361A	1
		7	354	1
113T2275-8		1	360	1
		6	363A	1
		7	356	1
113T2275-9		1	394	1
		6	385A	1
		7	384	1
113T2276-1		1	87	1
113T2276-10		1	89B	
113T2276-11		1	99C	1
		6	93A	1
		7	94A	1
113T2276-12		1	101C	1
		6	95A	1
		7	96A	1
113T2276-13		1	99B	1
113T2276-14		1	101B	1
113T2276-15		1	99D	1
		6	93B	1
		7	94B	1
113T2276-16		1	101D	1
		6	95B	1
		7	96B	1
113T2276-2		1	89	1
113T2276-3		1	99	1
113T2276-4		1	101	1
113T2276-5		1	87A	1
		6	81	1
		7	82	1
113T2276-6		1	89A	1
		6	83	1
		7	84	1
113T2276-7		1	99A	1
		6	93	1
		7	94	1
113T2276-8		1	101A	1
		6	95	1
		7	96	1
113T2276-9		1	87B	
113T2277-1		1	481	
		4	35	1
113T2277-2		1	483	
		4	40	1

57-53-27

 ILLUSTRATED PARTS LIST  
 01.1 Page 1028D  
 Mar 01/05


**BOEING**  
 COMPONENT  
 MAINTENANCE MANUAL

PART NUMBER	AIRLINE PART NO.	FIG.	ITEM	TTL REQ
113T2277-3		1	485	
		4	45	1
113T2277-4		1	487	
		4	50	1
113T2278-1		1	263	1
		6	265	1
		7	266	1
113T2278-2		1	276G	1
		6	279	1
		7	280	1
113T2278-3		7	266A	
113T2279-1		1	71	1
		1	109	1
		6	65	1
		6	103	1
		6	105	
		7	66	1
		7	104	1
113T2280-1		1	265	2
		6	267	2
		7	268	2
113T2280-2		1	274	1
		6	273	1
		7	274	1
113T2280-3		1	283	1
		6	287	1
		7	288	1
113T2280-4		1	281	2
		6	285	2
		7	286	2
113T2289-1		1	551	
		4	245	1
113T2289-2		1	553	
		4	250	1
113T2289-3		1	558	
		4	240	1
113T2289-4		1	229	4
		6	247	4
		7	230	4
113T2289-5		1	231	2
		6	249	2
		7	232	2
113T2290-1		2	465	1
		8	506	1
113T2290-2		2	467	1
		8	509	1

57-53-27

 ILLUSTRATED PARTS LIST  
 01.1 Page 1028E  
 Mar 01/05



PART NUMBER	AIRLINE PART NO.	FIG.	ITEM	TTL REQ
113T2290-3		1	353	1
		6	349	1
113T2290-4		1	355	1
		6	351	1
113T2290-5		7	350	1
113T2290-5001		1	356	1
		6	353	1
113T2290-5002		1	356G	1
		6	355	1
113T2290-5003		1	356A	1
		6	353A	1
113T2290-5004		1	356H	1
		6	355A	1
113T2290-6		7	352	1
113T2321-1		1	383	1
		6	359	1
		7	374	1
113T2348-1		2	279	1
113T2348-10		2	281B	1
		8	200	1
113T2348-2		2	281	1
113T2348-3		1	757	1
113T2348-4		1	759	1
113T2348-5		2	279A	1
113T2348-6		2	281A	1
113T2348-7		1	757A	1
		6	703	1
		7	706	1
113T2348-8		1	759A	1
		6	705	1
		7	708	1
113T2348-9		2	279B	1
		8	197	1
113T2401-1		1	163	1
113T2401-10		1	171B	
113T2401-2		1	171	1
113T2401-3		1	175	1
113T2401-4		1	173	2
		6	171	2
		7	170	2
113T2401-5		1	163A	1
		6	161	1
		7	160	1
113T2401-6		1	171A	1
		6	169	1
		7	168	1

57-53-27

 ILLUSTRATED PARTS LIST  
 01.1 Page 1028F  
 Mar 01/05


**BOEING**  
 COMPONENT  
 MAINTENANCE MANUAL

PART NUMBER	AIRLINE PART NO.	FIG.	ITEM	TTL REQ
113T2401-7		1	175A	1
		6	175	1
		7	172	1
113T2401-9		1	163B	
113T2403-1		1	187	2
113T2403-10		1	208	1
		6	209	1
		7	206	1
113T2403-11		1	187A	
113T2403-12		1	189A	
113T2403-2		1	189	2
113T2403-3		1	205	1
113T2403-4		1	207	1
113T2403-7		1	188	2
		6	189	2
		7	186	2
113T2403-8		1	190	2
		6	191	2
		7	188	2
113T2403-9		1	206	1
		6	207	1
		7	204	1
113T3144-15		1	947	1
		6	891	1
		7	898	1
113T3144-17		1	973	1
		6	909	1
		7	916	1
113T3144-21		1	941	1
		1	967	1
		6	885	1
		6	903	1
		7	892	1
		7	910	1
113T3144-5		1	933	1
		6	879	1
		7	886	1
113T3144-7		1	955	2
		6	897	2
		7	904	2
48FT1018		2	13	2
		8	17	2
5073-322		3	170	
		3	310	
5673-322		3	170A	
		3	310A	
		3	310B	1

57-53-27

 ILLUSTRATED PARTS LIST  
 01.1 Page 1028G  
 Mar 01/05

PART NUMBER	AIRLINE PART NO.	FIG.	ITEM	TTL REQ
66014-10		1	903	2
		2	549	1
		2	443G	2
		4	75	2
		4	130	4
		8	479	2
		8	632	1
		8	632	1
66014-12		1	903A	2
		6	841	2
		7	862	2
66014-5		1	279	2
		6	283	2
		6	283	2
		7	284	2

# 57-53-27

 ILLUSTRATED PARTS LIST  
 01.1 Page 1028H  
 Mar 01/05


**BOEING**  
 COMPONENT  
 MAINTENANCE MANUAL

PART NUMBER	AIRLINE PART NO.	FIG.	ITEM	TTL REQ
66014-6		1	343	5
		1	373	1
		1	417	2
		1	463	14
		1	730	40
		1	797	11
		1	851	12
		1	905	14
		1	927	12
		1	324K	2
		1	328K	2
		1	749G	16
		2	85	20
		2	313	18
		2	335	22
		2	377	30
		2	441	22
		2	463	14
		2	497	2
		2	559	5
		2	64N	12
		2	655	42
		2	695	74
		2	707	12
		2	721	30
		2	761	55
		2	115G	9
		2	115N	22
		2	679A	4
		4	10	8
		4	200	2
		4	270	5
		4	310	2
		4	340	1
		4	405	206
		5	10	1
		5	25	2
		5	50	2
		5	80	2
		5	120	2

# 57-53-27

 ILLUSTRATED PARTS LIST  
 01.1 Page 1028I  
 Mar 01/05

PART NUMBER	AIRLINE PART NO.	FIG.	ITEM	TTL REQ
66014-6		5	144	30
		5	250	14
		5	280	1
		5	350	70
		5	360	63
		5	390	113
		5	415	2
		6	343	5
		6	373	1
		6	411	2
		6	457	14
		6	645	40
		6	691	16
		6	739	8
		6	793	12
		6	843	14
		6	849	12
		6	324K	2
		7	344	5
		7	370	1
		7	410	2
		7	460	14
		7	650	40
		7	694	16
		7	746	11
		7	800	12
		7	864	14
		7	880	12
		8	113	13
		8	146	20
		8	182	9
		8	185	22
		8	257	18
		8	296	22
		8	362	30
		8	473	22
		8	503	14
		8	554	2
		8	647	5
		8	743	42
	66014-6		8	779
		8	812	74
		8	833	12
		8	851	30
		9	20	47

# 57-53-27

 ILLUSTRATED PARTS LIST  
 01.1 Page 1028J  
 Mar 01/05


**BOEING**  
 COMPONENT  
 MAINTENANCE MANUAL

PART NUMBER	AIRLINE PART NO.	FIG.	ITEM	TTL REQ
66014-8		1	371	1
		1	419	1
		1	751	1
		1	799	2
		1	853	8
		1	907	16
		1	908	2
		1	751G	6
		2	87	1
		2	88	1
		2	315	4
		2	379	2
		2	443	20
		2	444	2
		2	499	2
		2	547	2
		2	64G	2
		2	669	14
		2	694	4
		2	85G	4
		2	116G	8
		4	20	4
		4	60	6
		4	120	14
		4	330	1
		5	153	2
		5	225	2
		5	290	1
		5	335	2
		5	400	1
		6	375	1
		6	413	1
		6	693	6
		6	741	2
	6	795	8	
	6	845	18	
	7	368	1	
	7	412	1	
	7	696	6	
	7	748	2	

# 57-53-27

 ILLUSTRATED PARTS LIST  
 01.1 Page 1028K  
 Mar 01/05

PART NUMBER	AIRLINE PART NO.	FIG.	ITEM	TTL REQ	
66014-8		7	802	8	
		7	866	16	
		7	868	2	
		8	110	2	
		8	149	4	
		8	152	1	
		8	188	8	
		8	260	4	
		8	365	2	
		8	476	16	
		8	477	4	
		8	482	2	
		8	557	2	
		8	629	2	
		8	764	14	
		8	809	4	
	67832AS5		1	85	2
			1	123	2
		1	261	1	
		6	79	2	
		6	119	2	
		6	263	1	
		7	80	2	
		7	118	2	
		7	260	1	
67832AS524			1	85	2
		1	85	2	
		1	123	2	
		1	123	2	
		1	261	1	
		1	261	1	
		6	79	2	
		6	79	2	
		6	119	2	
		6	119	2	
		6	263	1	
		6	263	1	
		7	80	2	
		7	118	2	
		7	260	1	
67832CD8		8	599C	2	
67832CD820		8	599C	2	
69235-1018CD		8	17A	2	

# 57-53-27

 ILLUSTRATED PARTS LIST  
 01.1 Page 1028L  
 Mar 01/05


**BOEING**  
 COMPONENT  
 MAINTENANCE MANUAL

PART NUMBER	AIRLINE PART NO.	FIG.	ITEM	TTL REQ
70188-104		1	409	1
		1	783	1
		2	419	4
		6	403	1
		6	725	1
		7	402	1
		7	732	1
		8	440	4
70188-5		1	223	4
		6	225	4
		7	222	4
70188-7		1	227A	2
		6	229	2
		7	226	2
70188-8		8	590A	2
	70191-104	1	407	1
1		781	1	
2		417	4	
6		401	1	
6		723	1	
7		400	1	
7		730	1	
8		437	4	
70191-5		1	221	4
		6	223	4
		7	220	4
70191-7		1	225	2
		6	227	2
		7	224	2
		8	587A	2
70191-8		2	445	2
	9NS202101SE048	8	485	2
		1	409	1
922007-4		1	783	1
		2	419	4
		6	403	1
		6	725	1
		7	402	1
		7	732	1
		8	440	4
		1	223	4
922007-5		6	225	4
		7	222	4
		1	227A	2
922007-7		6	229	2
		7	226	2
		8	590A	2
922007-8				

57-53-27

 ILLUSTRATED PARTS LIST  
 01.1 Page 1028M  
 Mar 01/05



PART NUMBER	AIRLINE PART NO.	FIG.	ITEM	TTL REQ
922008-4		1	407	1
		1	781	1
		2	417	4
		6	401	1
		6	723	1
		7	400	1
		7	730	1
		8	437	4
922008-5		1	221	4
		6	223	4
		7	220	4
922008-7		1	225	2
		6	227	2
		7	224	2
922008-8		8	587A	2
		1	409	1
942007-4		1	783	1
		2	419	4
		6	403	1
		6	725	1
		7	402	1
		7	732	1
		8	440	4
		1	223	4
942007-5		6	225	4
		7	222	4
		1	227A	2
942007-7		6	229	2
		7	226	2
		8	590A	2
942007-8		1	407	1
		1	781	1
942008-4		2	417	4
		6	401	1
		6	723	1
		7	400	1
		7	730	1
		8	437	4
		1	221	4
		6	223	4
942008-5		7	220	4
		1	225	2
		6	227	2
942008-7		7	224	2
		8	587A	2
		1	221	4
942008-8		6	223	4
		7	220	4
		1	225	2

# 57-53-27

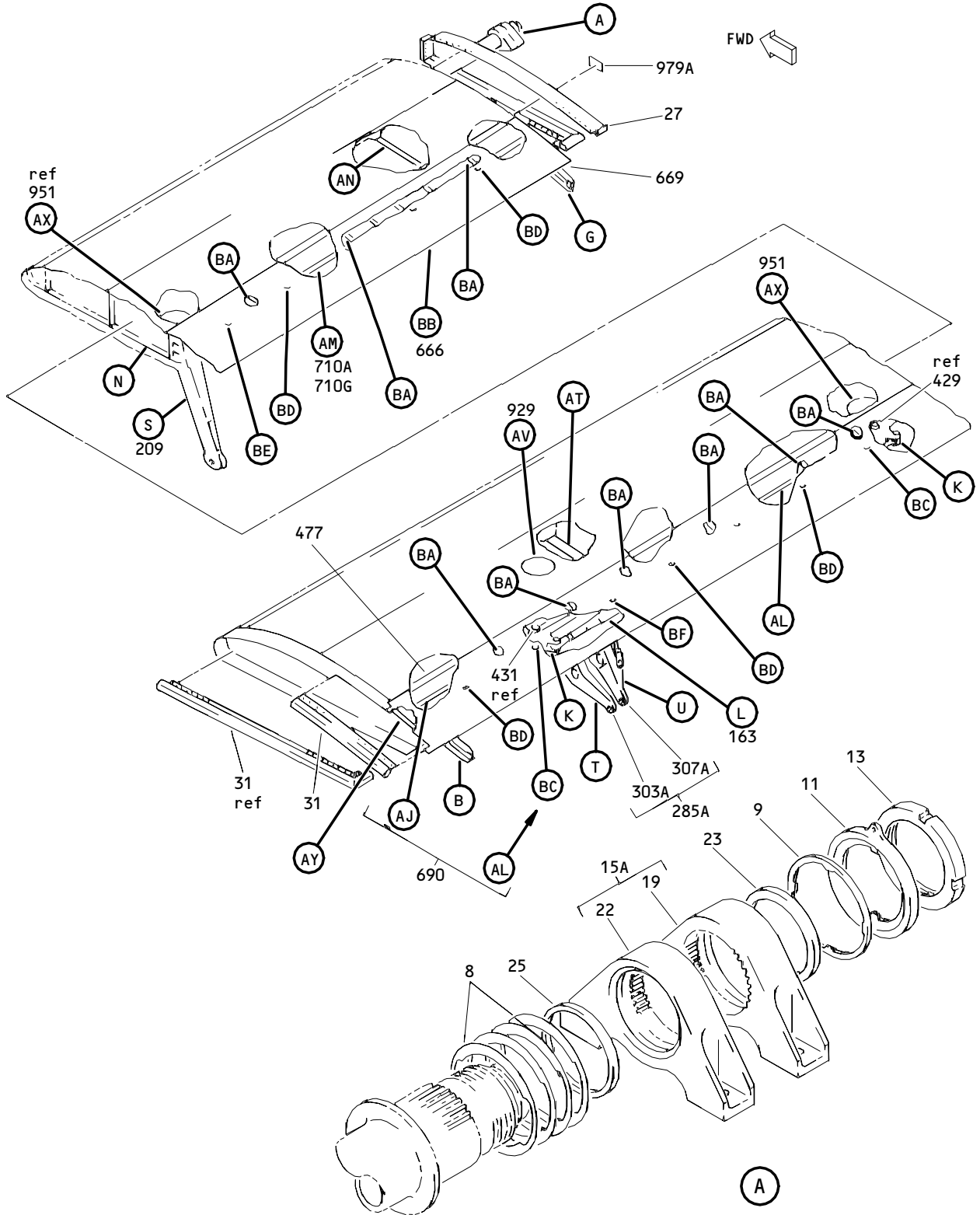
 ILLUSTRATED PARTS LIST  
 01.1 Page 1028N  
 Mar 01/05


**BOEING**  
 COMPONENT  
 MAINTENANCE MANUAL

PART NUMBER	AIRLINE PART NO.	FIG.	ITEM	TTL REQ
96-02		1	708U	34
		6	541	34
		7	548	34
96-048		1	678	2
		1	683	10
		1	686	12
		4	235	4
		6	503	2
		6	515	10
		6	523	12
		7	504	2
		7	514	10
		7	520	12
		97E02		2
		8	272	2
97E48		2	445	2
		8	485	2

# 57-53-27

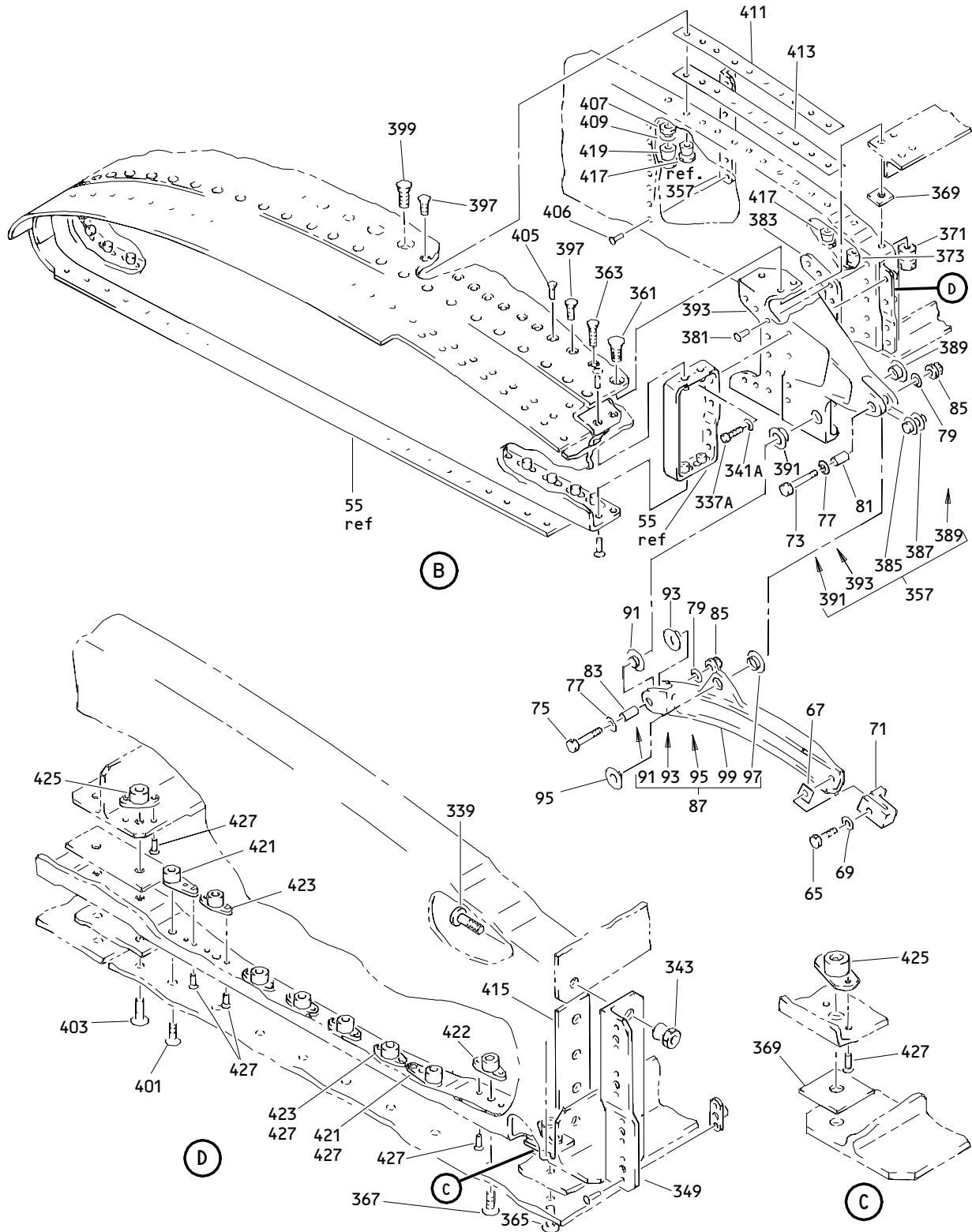
ILLUSTRATED PARTS LIST  
 01.1 Page 10280  
 Mar 01/05



Inboard Trailing Edge Flap Main Flap Assembly  
Figure 1 (Sheet 1)

**57-53-27**

ILLUSTRATED PARTS LIST  
01.101 Page 1028Q  
Mar 01/05

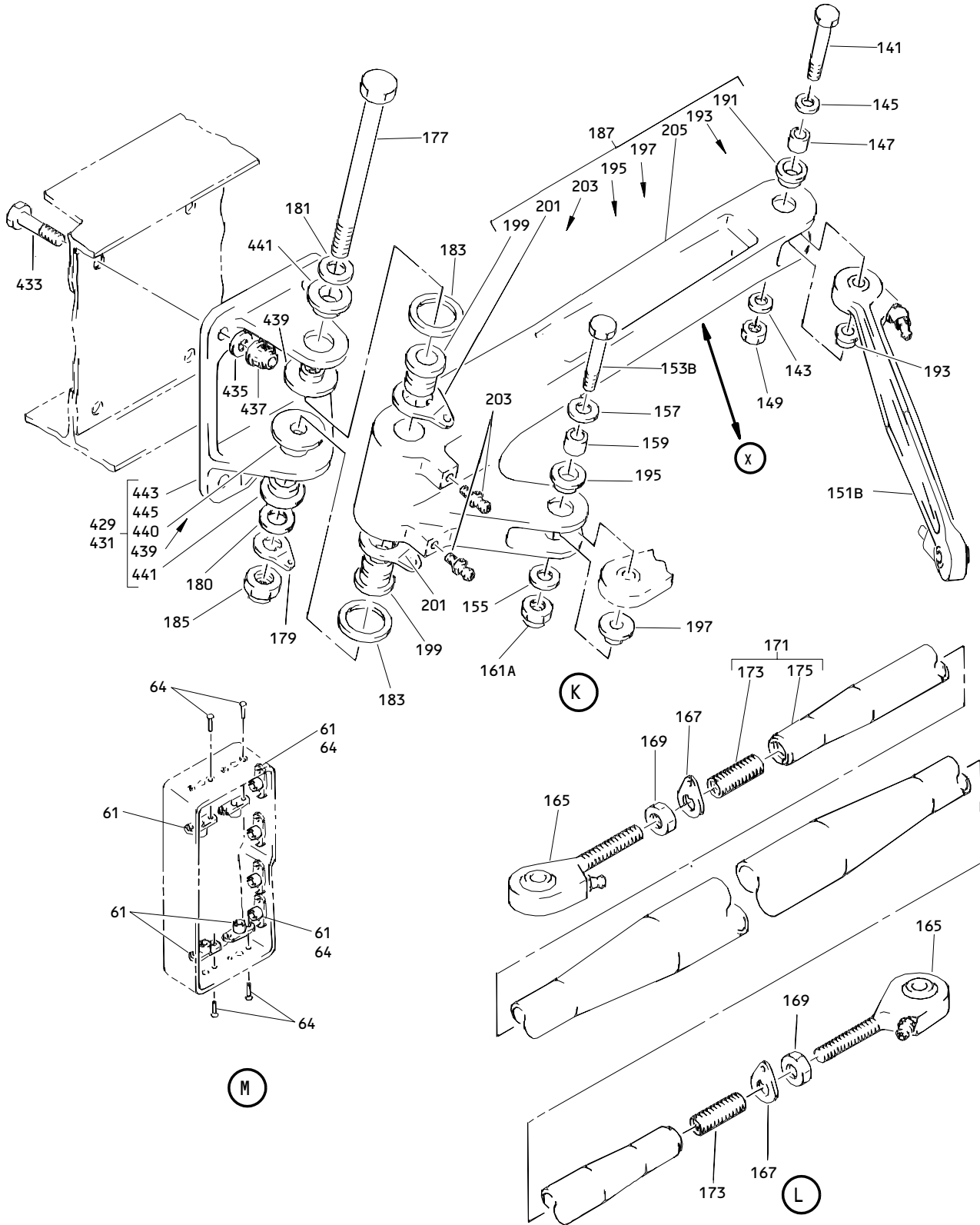


Inboard Trailing Edge Flap Main Flap Assembly  
Figure 1 (Sheet 2)

**57-53-27**

ILLUSTRATED PARTS LIST  
01.101 Page 1028R  
Mar 01/05

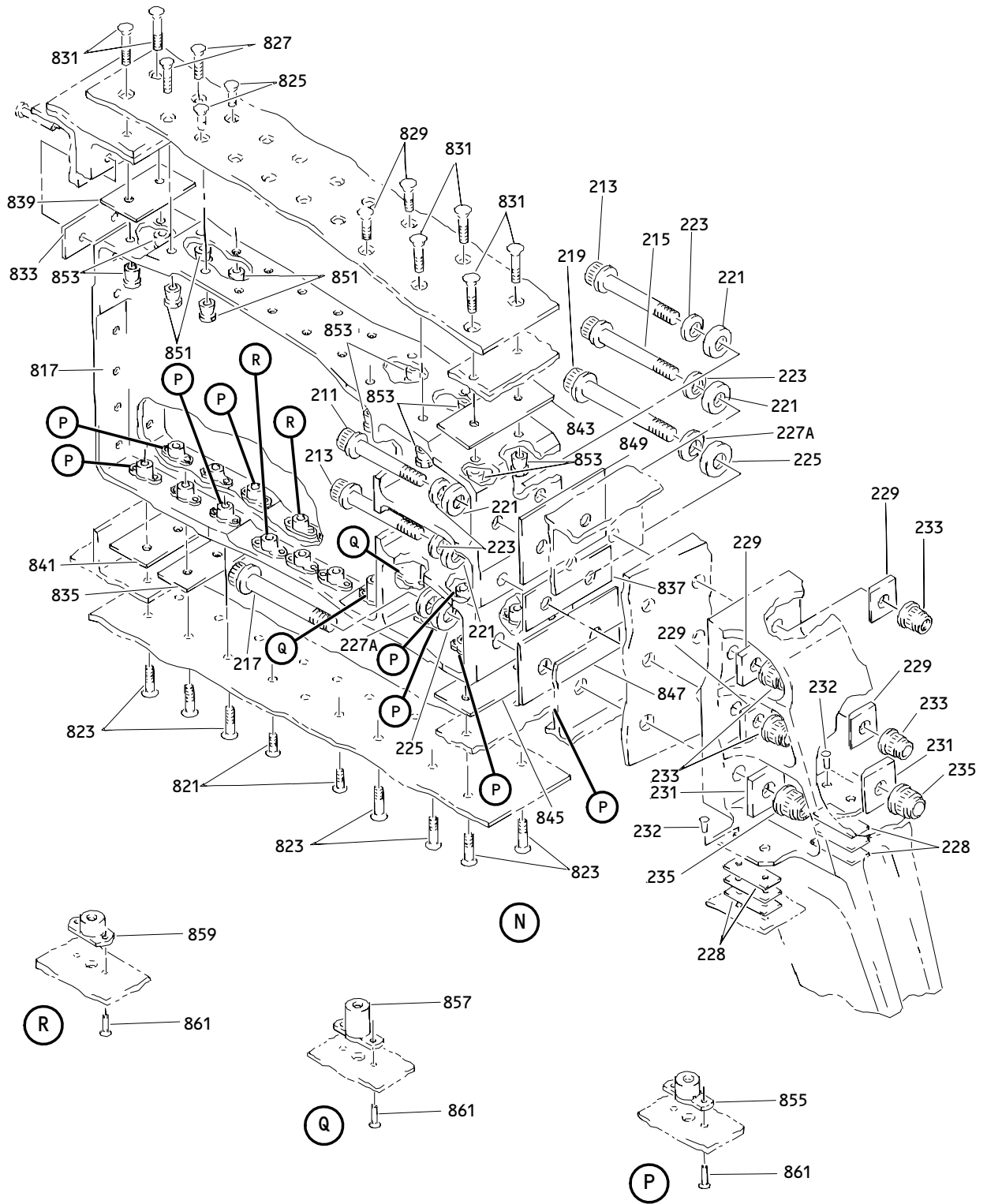




Inboard Trailing Edge Flap Main Flap Assembly  
Figure 1 (Sheet 4)

**57-53-27**

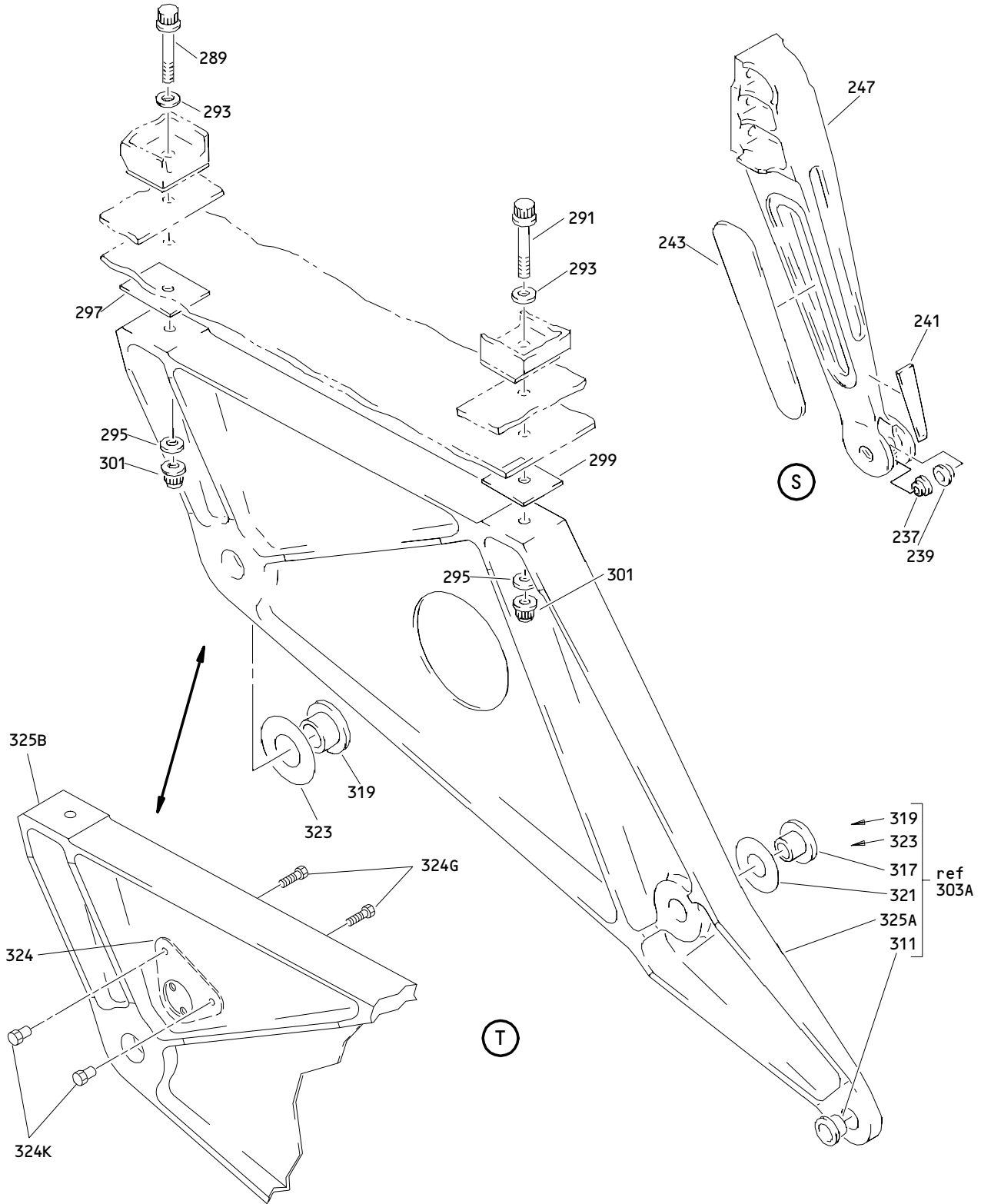
ILLUSTRATED PARTS LIST  
01.101 Page 1028T  
Mar 01/05



Inboard Trailing Edge Flap Main Flap Assembly  
 Figure 1 (Sheet 5)

**57-53-27**

ILLUSTRATED PARTS LIST  
 01.101 Page 1028U  
 Mar 01/05

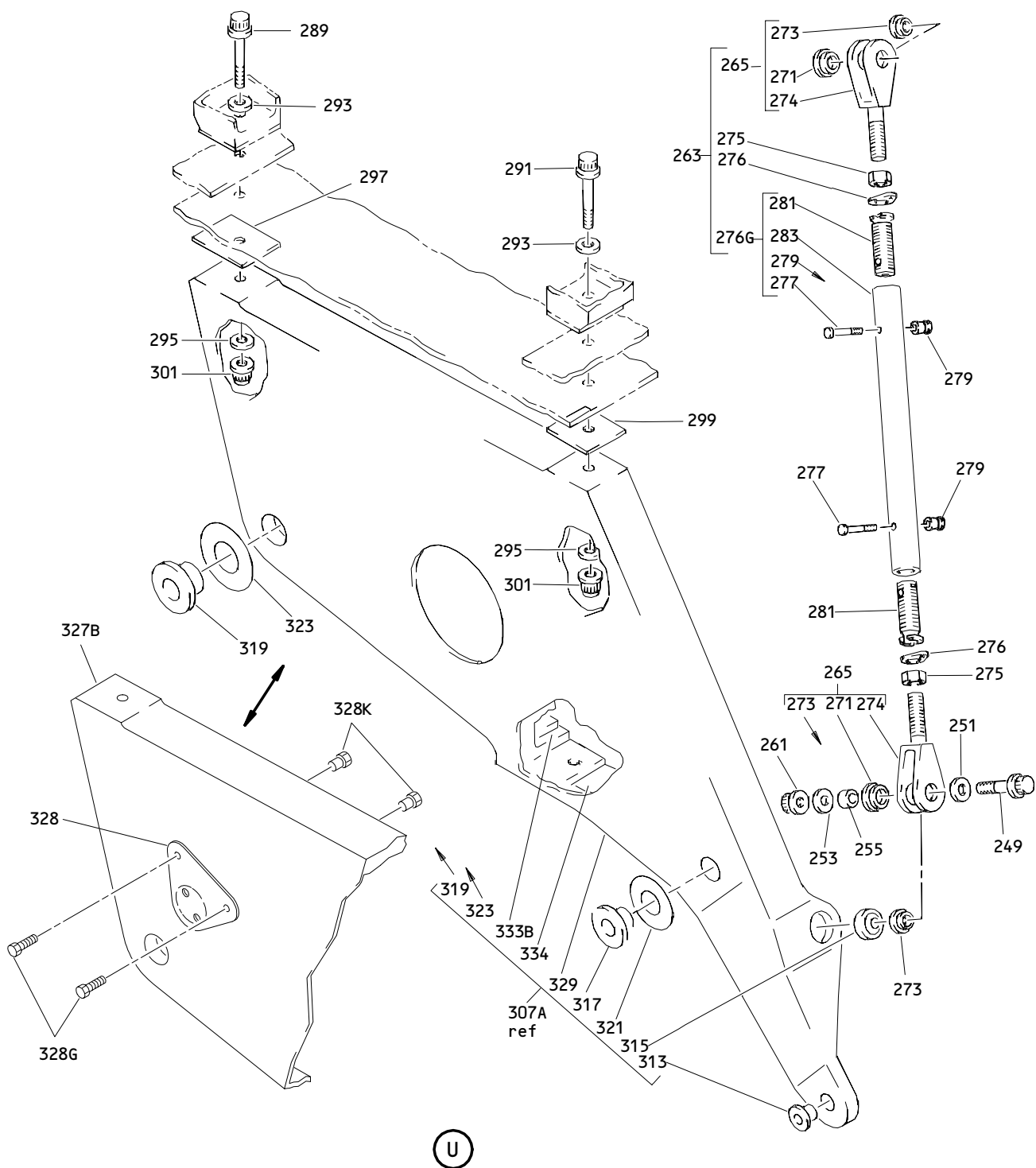


Inboard Trailing Edge Flap Main Flap Assembly  
 Figure 1 (Sheet 6)

**57-53-27**

ILLUSTRATED PARTS LIST  
 01.101 Page 1028V  
 Mar 01/05

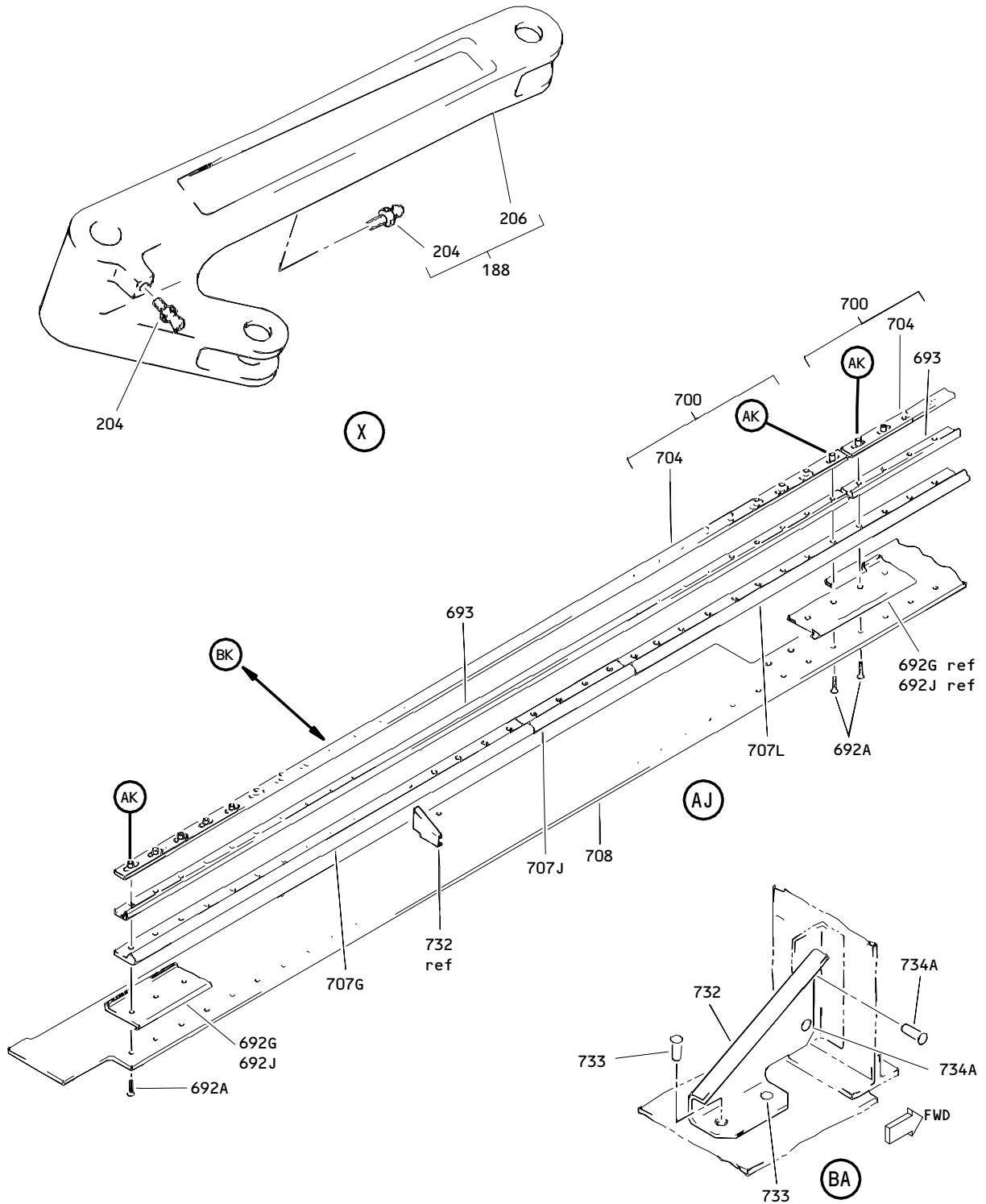




Inboard Trailing Edge Flap Main Flap Assembly  
 Figure 1 (Sheet 7)

**57-53-27**

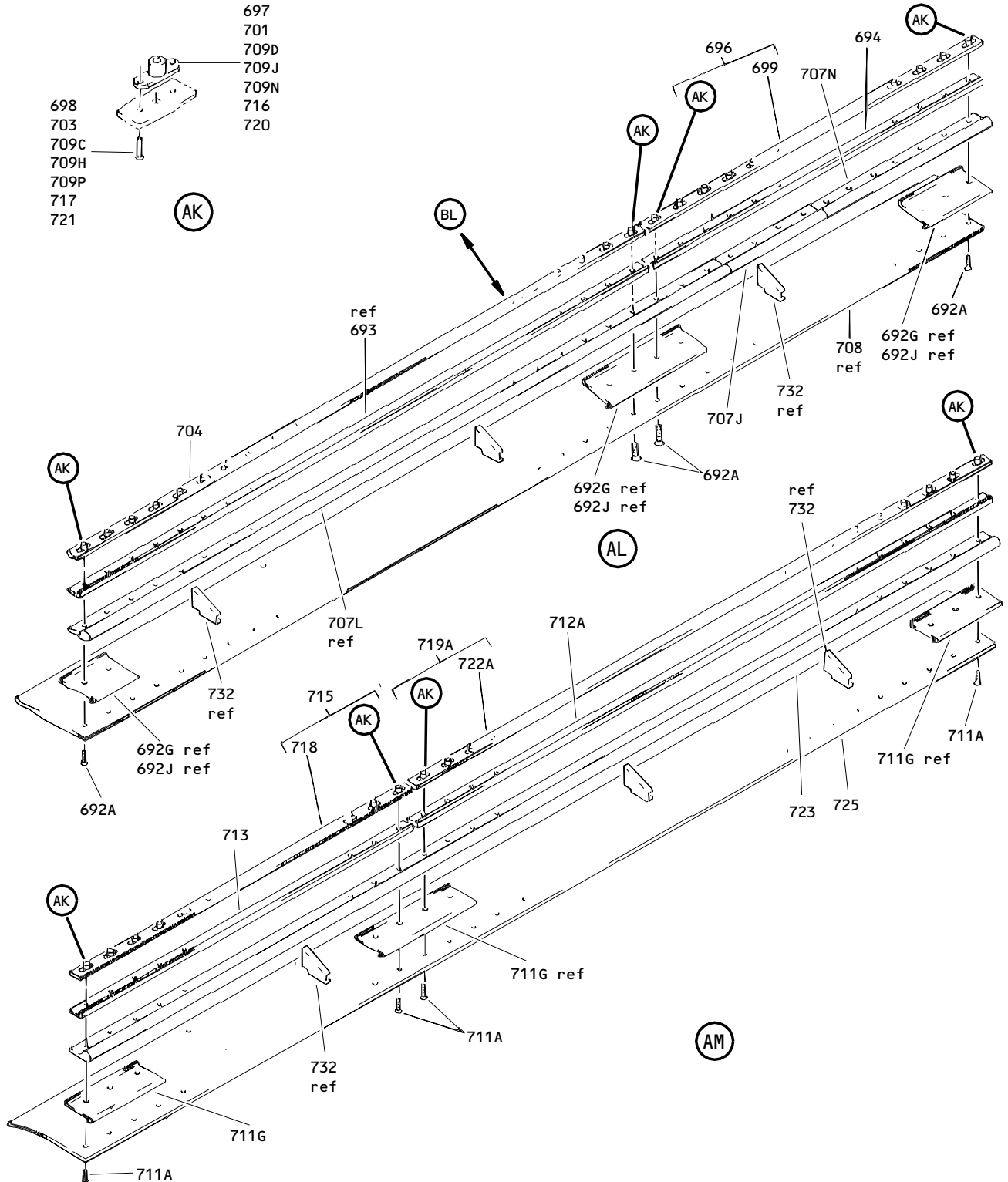
ILLUSTRATED PARTS LIST  
 01.101 Page 1028W  
 Mar 01/05



Inboard Trailing Edge Flap Main Flap Assembly  
 Figure 1 (Sheet 8)

**57-53-27**

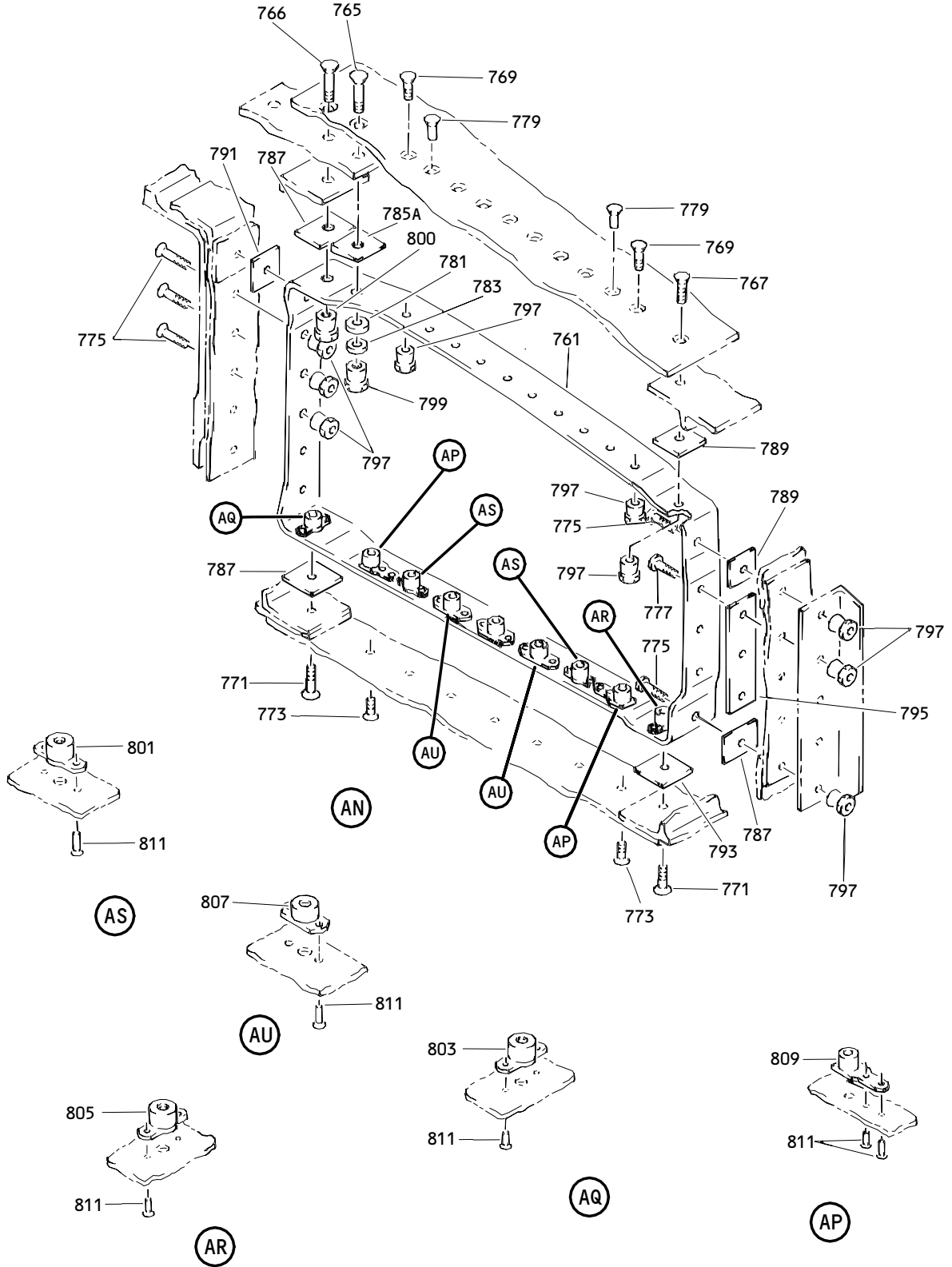
ILLUSTRATED PARTS LIST  
 01.101 Page 1028X  
 Mar 01/05



Inboard Trailing Edge Flap Main Flap Assembly  
 Figure 1 (Sheet 9)

**57-53-27**

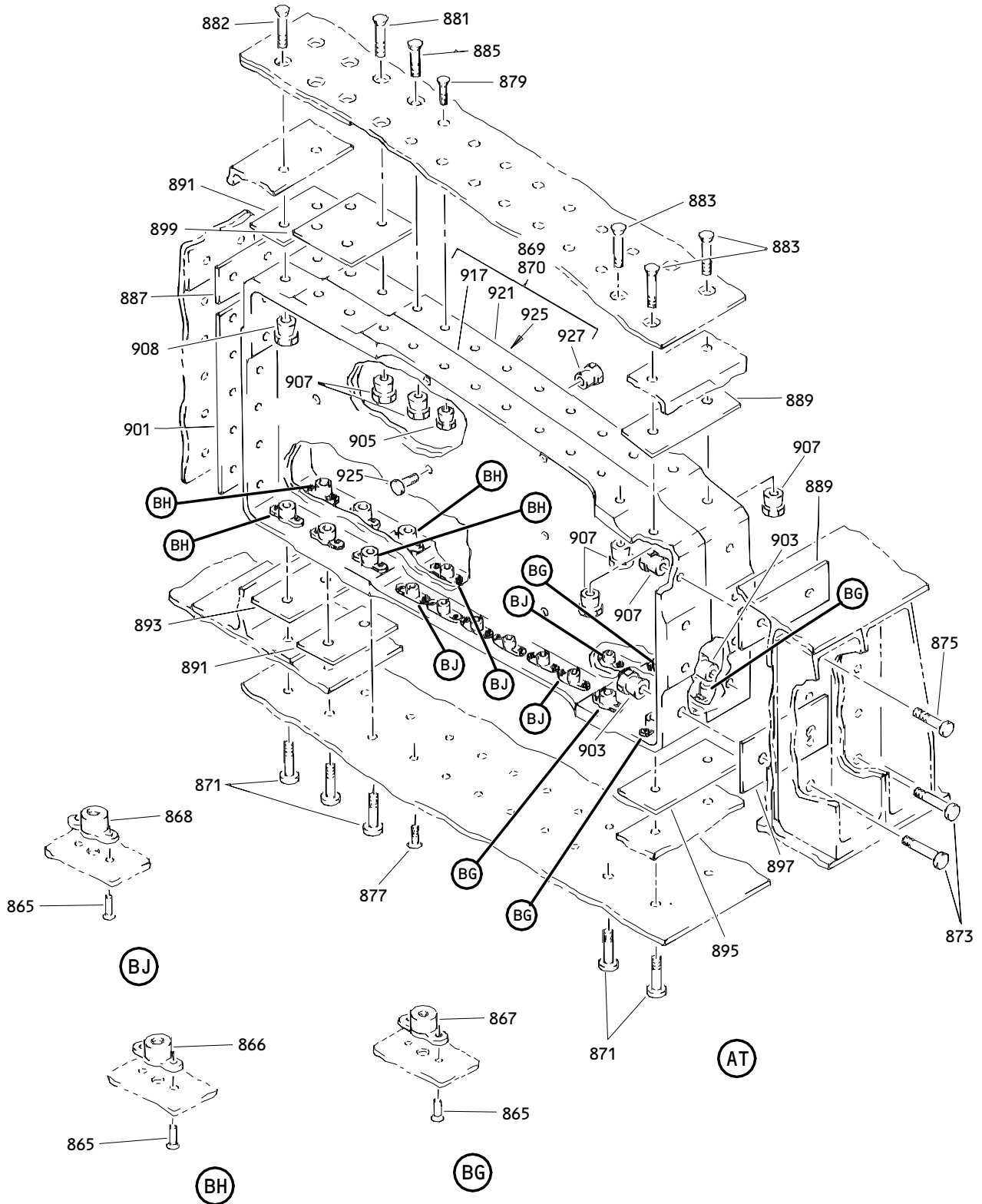
ILLUSTRATED PARTS LIST  
 01.101 Page 1028Y  
 Mar 01/05



Inboard Trailing Edge Flap Main Assembly  
 Figure 1 (Sheet 10)

**57-53-27**

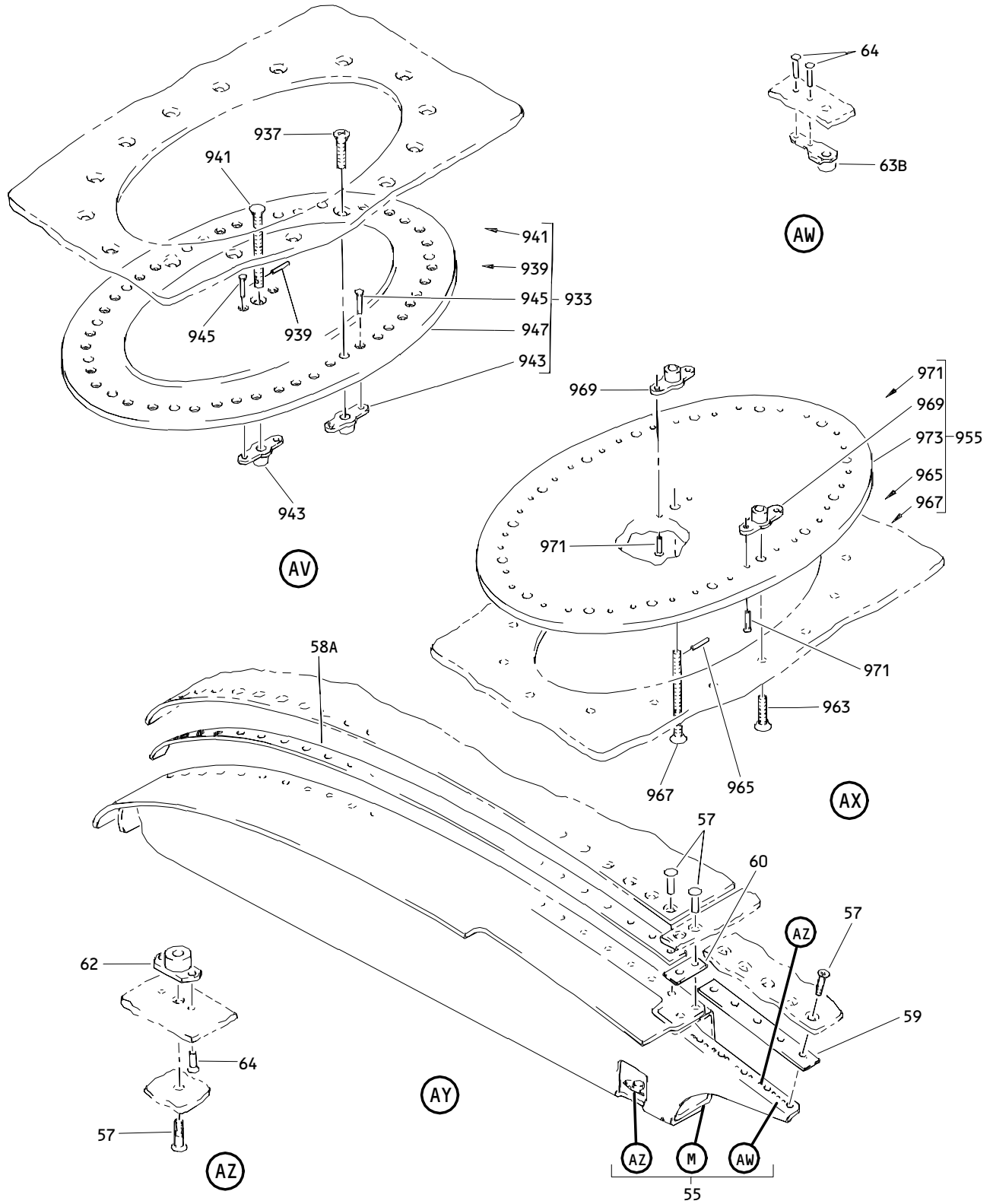
ILLUSTRATED PARTS LIST  
 01.101 Page 1028Z  
 Mar 01/05



Inboard Trailing Edge Flap Main Flap Assembly  
 Figure 1 (Sheet 11)

**57-53-27**

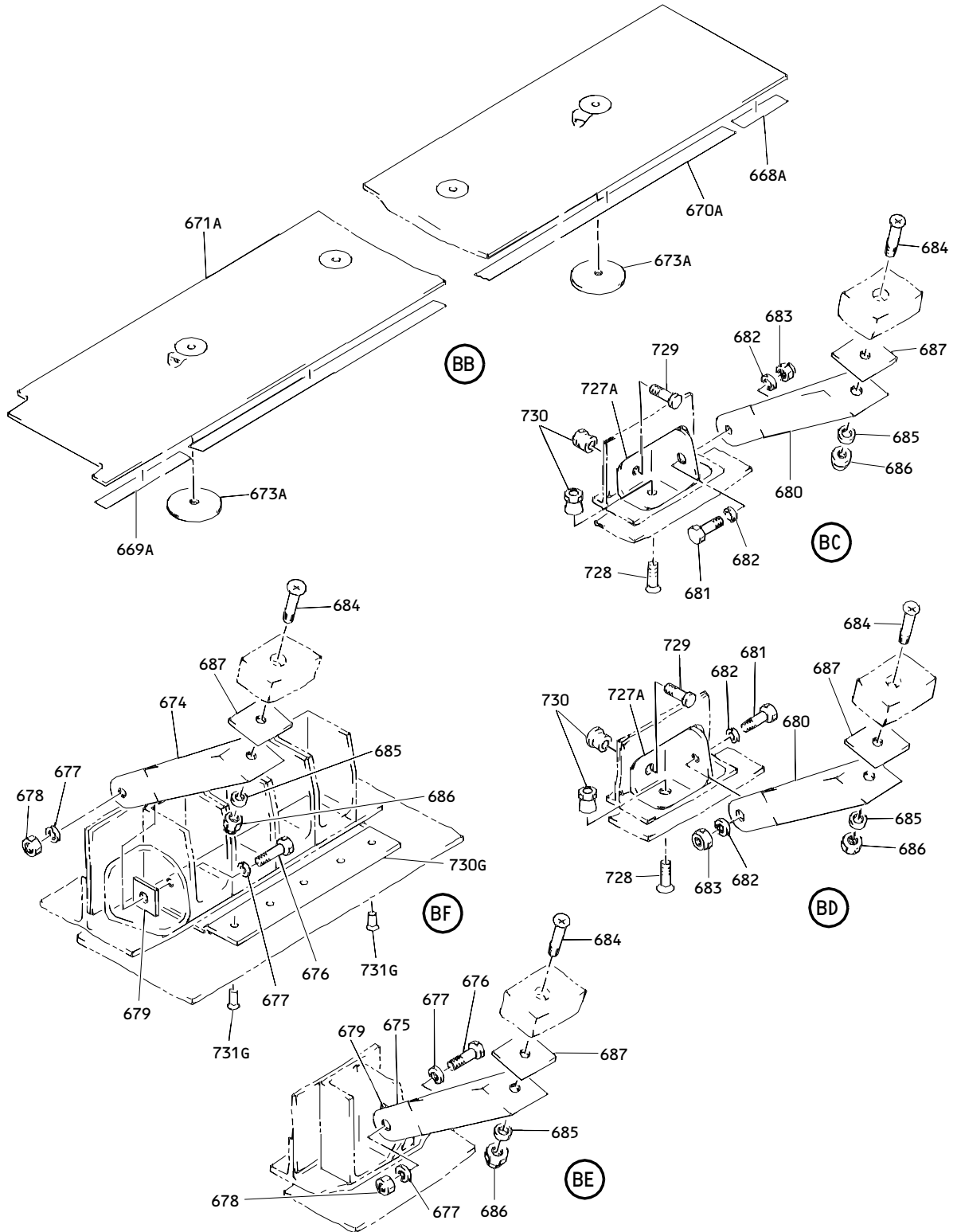
ILLUSTRATED PARTS LIST  
 01.101 Page 1029  
 Mar 01/05



**Inboard Trailing Edge Flap Main Flap Assembly**  
Figure 1 (Sheet 12)

**57-53-27**

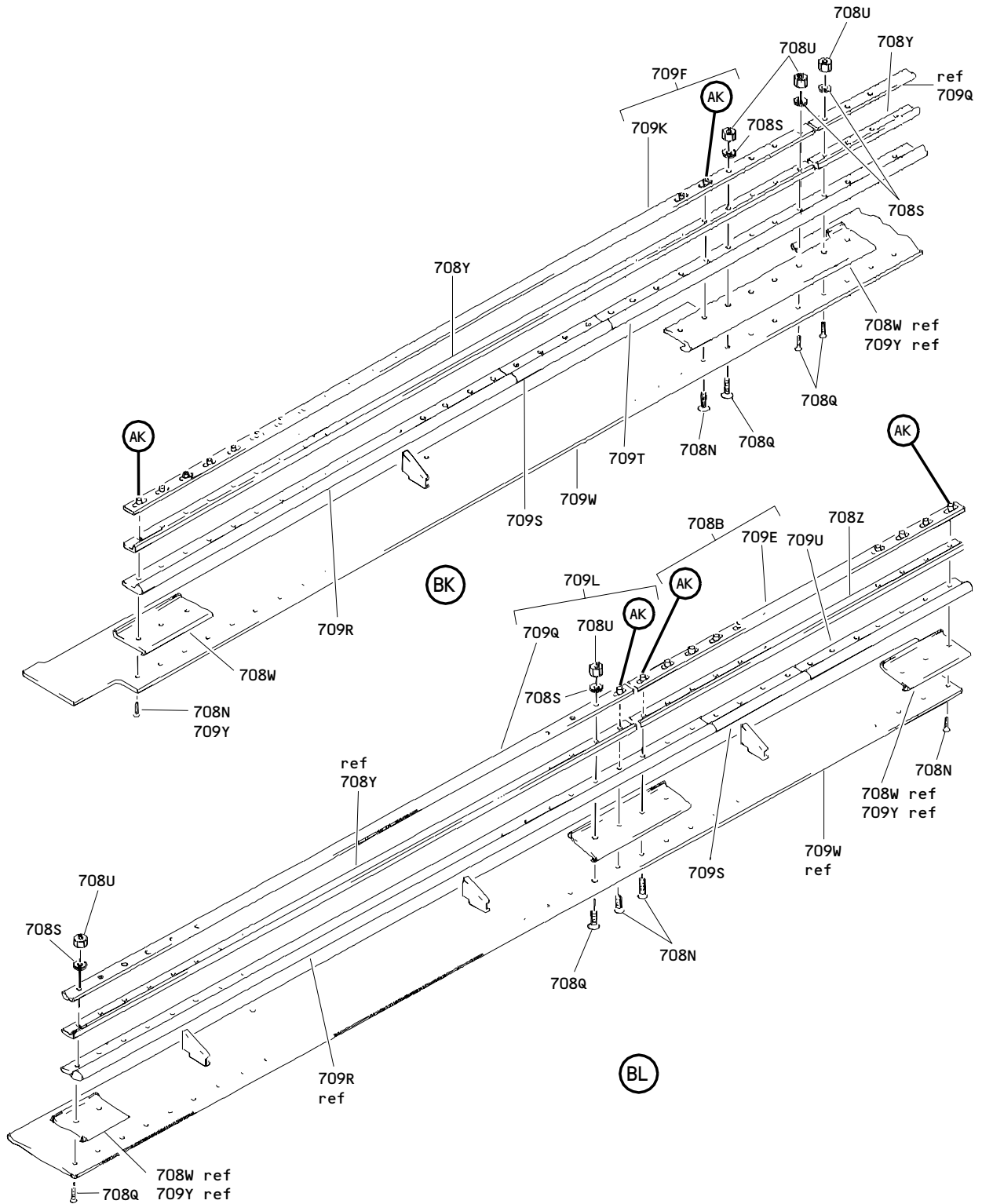
**ILLUSTRATED PARTS LIST**  
01.101 Page 1030  
Mar 01/05



Inboard Trailing Edge Flap Main Flap Assembly  
Figure 1 (Sheet 13)

**57-53-27**

ILLUSTRATED PARTS LIST  
01.101 Page 1030A  
Mar 01/05



Inboard Trailing Edge Flap Main Flap Assembly  
 Figure 1 (Sheet 14)

**57-53-27**

ILLUSTRATED PARTS LIST  
 01.101 Page 1030B  
 Mar 01/05




**BOEING**  
 COMPONENT  
 MAINTENANCE MANUAL

FIG. & ITEM	PART NO.	AIRLINE PART NUMBER	NOMENCLATURE 1234567	EFF CODE	QTY PER ASSY
01- -1	113T2201-1SP		FLAP ASSY-INBD TE FLAP MAIN (LH)	A	RF
-1A	113T2201-5SP		DELETED		
-1B	113T2201-9		FLAP ASSY-INBD TE FLAP MAIN (VARIABLE) (LH)	B	RF
-1C	113T2201-11SP		FLAP ASSY-INBD TE FLAP MAIN (LH)	E	RF
-1D	113T2201-13		DELETED		
-1E	113T2201-17		FLAP ASSY-INBD TE FLAP MAIN (VARIABLE) (LH) (FOR DETAILS SEE FIG. 6)	J	RF
-1F	113T2201-19SP		FLAP ASSY-INBD TE FLAP MAIN (LH) (FOR DETAILS SEE FIG. 6)	F	RF
-1G	113T2201-21		FLAP ASSY-INBD TE FLAP MAIN (VARIABLE) (LH) (FOR DETAILS SEE FIG. 6)	L	RF
-1H	113T2201-23SP		FLAP ASSY-INBD TE FLAP MAIN (LH)	N	RF
-1J	113T2201-25SP		FLAP ASSY-INBD TE FLAP MAIN (LH) (FOR DETAILS SEE FIG. 6)	Q	RF
-1K	113T2201-27		FLAP ASSY-INBD TE FLAP MAIN (VARIABLE) (LH)	S	RF
-1L	113T2201-29SP		FLAP ASSY-INBD TE FLAP MAIN (LH)	U	RF
-1M	113T2201-35		FLAP ASSY-INBD TE FLAP MAIN (VARIABLE) (LH)	W	RF
-1N	113T2201-37SP		FLAP ASSY-INBD TE FLAP MAIN (LH) (FOR DETAILS SEE FIG. 7)	Y	RF
-1P	113T2201-39SP		FLAP ASSY-INBD TE FLAP MAIN (LH) (FOR DETAILS SEE FIG. 7)	AA	RF
-1Q	113T2201-41SP		DELETED		
-1R	113T2201-401SP		FLAP ASSY-INBD TE FLAP MAIN (LH) (FOR DETAILS SEE FIG. 7)	AE	RF
-1S	113T2201-403G		FLAP ASSY-INBD TE FLAP MAIN (LH) (FOR DETAILS SEE FIG. 7)	AG	RF
-1T	113T2201-45G		DELETED		
-1U	113T2201-47G		DELETED		
-1V	113T2201-41G		DELETED		
-1W	113T2201-49G		DELETED		

57-53-27

 ILLUSTRATED PARTS LIST  
 01.101 Page 1030C  
 Mar 01/05

FIG. & ITEM	PART NO.	AIRLINE PART NUMBER	NOMENCLATURE 1234567	EFF CODE	QTY PER ASSY
01-			DELETED		
-1X	113T2201-405G		FLAP ASSY-INBD TE FLAP MAIN	AJ	RF
-1Y	113T2201-45SP		(LH) (FOR DETAILS SEE FIG. 7)		
-1Z	113T2201-47SP		FLAP ASSY-INBD TE FLAP MAIN	AL	RF
			(LH) (FOR DETAILS SEE FIG. 7)		
-2	113T2201-41SP		FLAP ASSY-INBD TE FLAP MAIN	AC	RF
			(LH) (FOR DETAILS SEE FIG. 7)		
-2A	113T2201-49SP		FLAP ASSY-INBD TE FLAP MAIN	AN	RF
			(LH) (FOR DETAILS SEE FIG. 7)		
-2B	113T2201-405SP		FLAP ASSY-INBD TE FLAP MAIN	AQ	RF
			(LH) (FOR DETAILS SEE FIG. 7)		
-4V	113T2201-46SP		FLAP ASSY-INBD TE FLAP MAIN	AK	RF
			(RH) (FOR DETAILS SEE FIG. 7)		
-4W	113T2201-48SP		FLAP ASSY-INBD TE FLAP MAIN	AM	RF
			(RH) (FOR DETAILS SEE FIG. 7)		
-4X	113T2201-42SP		FLAP ASSY-INBD TE FLAP MAIN	AD	RF
			(RH) (FOR DETAILS SEE FIG. 7)		
-4Y	113T2201-50SP		FLAP ASSY-INBD TE FLAP MAIN	AP	RF
			(RH) (FOR DETAILS SEE FIG. 7)		
-4Z	113T2201-406SP		FLAP ASSY-INBD TE FLAP MAIN	AR	RF
			(RH) (FOR DETAILS SEE FIG. 7)		
-5	113T2201-2SP		FLAP ASSY-INBD TE FLAP MAIN	C	RF
			(RH)		
-5B	113T2201-10		FLAP ASSY-INBD TE FLAP MAIN	D	RF
			(VARIABLE) (RH)		
-5C	113T2201-12SP		FLAP ASSY-INBD TE FLAP MAIN	G	RF
			(RH)		
-5D	113T2201-13		DELETED		
-5E	113T2201-18		FLAP ASSY-INBD TE FLAP MAIN	K	RF
			(VARIABLE) (RH) (FOR DETAILS SEE FIG. 6)		
-5F	113T2201-20SP		FLAP ASSY-INBD TE FLAP MAIN	H	RF
			(RH) (FOR DETAILS SEE FIG. 6)		

57-53-27

 ILLUSTRATED PARTS LIST  
 01.101 Page 1030D  
 Mar 01/05


**BOEING**  
 COMPONENT  
 MAINTENANCE MANUAL

FIG. & ITEM	PART NO.	AIRLINE PART NUMBER	NOMENCLATURE 1234567	EFF CODE	QTY PER ASSY
01- -5G	113T2201-22		FLAP ASSY-INBD TE FLAP MAIN (VARIABLE) (RH) (FOR DETAILS SEE FIG. 6)	M	RF
-5H	113T2201-24SP		FLAP ASSY-INBD TE FLAP MAIN (RH)	P	RF
-5J	113T2201-26SP		FLAP ASSY-INBD TE FLAP MAIN (RH) (FOR DETAILS SEE FIG. 6)	R	RF
-5K	113T2201-28		FLAP ASSY-INBD TE FLAP MAIN (VARIABLE) (RH)	T	RF
-5L	113T2201-30SP		FLAP ASSY-INBD TE FLAP MAIN (RH)	V	RF
-5M	113T2201-36		FLAP ASSY-INBD TE FLAP MAIN (VARIABLE) (RH)	X	RF
-5N	113T2201-38SP		FLAP ASSY-INBD TE FLAP MAIN (RH) (FOR DETAILS SEE FIG. 7)	Z	RF
-5P	113T2201-40SP		FLAP ASSY-INBD TE FLAP MAIN (RH) (FOR DETAILS SEE FIG. 7)	AB	RF
-5Q	113T2201-42SP		DELETED		
-5R	113T2201-402SP		FLAP ASSY-INBD TE FLAP MAIN (RH) (FOR DETAILS SEE FIG. 7)	AF	RF
-5S	113T2201-404G		FLAP ASSY-INBD TE FLAP MAIN (RH) (FOR DETAILS SEE FIG. 7)	AH	RF
-5T	113T2201-46G		DELETED		
-5U	113T2201-48G		DELETED		
-5V	113T2201-42G		DELETED		
-5W	113T2201-406G		DELETED		
-6	113T2201-5001		.FLAP ASSY- (REPLD BY ITEMS 6A, 6B, 6C, 6D, 6E)	A,B	1
-6A	113T2201-5005		.FLAP ASSY- (REPLS ITEMS 6, 6B) (REPLD BY ITEMS 6C, 6D, 6E)	A,B	1
-6B	113T2201-5003		.FLAP ASSY- (REPLS ITEM 6) (REPLD BY ITEMS 6A, 6C, 6D, 6E)	A,B	1
-6C	113T2201-5007		.FLAP ASSY- (REPLS ITEMS 6, 6A, 6B, 6D, 6E)	A,B	1

57-53-27

 ILLUSTRATED PARTS LIST  
 01.101 Page 1030E  
 Mar 01/05

FIG. & ITEM	PART NO.	AIRLINE PART NUMBER	NOMENCLATURE 1234567	EFF CODE	QTY PER ASSY
01- -6D	113T2201-5009		.FLAP ASSY- (REPLS ITEMS 6, 6A, 6B) (REPLD BY ITEMS 6C, 6E)	A,B	1
-6E	113T2201-5011		.FLAP ASSY-(REWORK) (REPLS ITEMS 6, 6A, 6B, 6D) (REPLD BY ITEM 6C)	A,B	1
-6F	113T2201-5013		.FLAP ASSY- (LIMITED)	E	1
-6G	113T2201-5002		DELETED		
-6H	113T2201-5006		DELETED		
-6J	113T2201-5004		DELETED		
-6K	113T2201-5008		DELETED		
-6L	113T2201-5010		DELETED		
-6M	113T2201-5012		DELETED		
-6N	113T2201-15		DELETED		
-6P	113T2201-5015		.FLAP ASSY- (LIMITED)	E	1
-6Q	113T2201-5017		.FLAP ASSY- (LIMITED)	N,S	1
-6R	113T2201-5019		.FLAP ASSY- (LIMITED)	N,S	1
-6S	113T2201-5021		.FLAP ASSY- (LIMITED)	N,S	1
-6T	113T2201-5023		.FLAP ASSY- (LIMITED)	U,W	1
-6U	113T2201-5025		.FLAP ASSY- (LIMITED)	U,W	1
-6V	113T2201-5027		.FLAP ASSY- (LIMITED)	U,W	1
7	113T2106-5		DELETED		
-7A	113T2201-5002		.FLAP ASSY- (REPLD BY ITEMS 7B, 7C, 7D, 7E, 7F)	C,D	1
-7B	113T2201-5006		.FLAP ASSY- (REPLS ITEMS 7A, 7C) (REPLD BY ITEMS 7D, 7E, 7F)	C,D	1
-7C	113T2201-5004		.FLAP ASSY- (REPLS ITEM 7A) (REPLD BY ITEMS 7B, 7D, 7E, 7F)	C,D	1
-7D	113T2201-5008		.FLAP ASSY- (REPLS ITEMS 7A, 7B, 7C, 7E, 7F)	C,D	1

# 57-53-27

 ILLUSTRATED PARTS LIST  
 01.101 Page 1030F  
 Mar 01/05


**BOEING**  
 COMPONENT  
 MAINTENANCE MANUAL

FIG. & ITEM	PART NO.	AIRLINE PART NUMBER	NOMENCLATURE 1234567	EFF CODE	QTY PER ASSY
01- -7E	113T2201-5010		.FLAP ASSY- (REPLS ITEMS 7A, 7B, 7C) (REPLD BY ITEMS 7D, 7F)	C,D	1
-7F	113T2201-5012		.FLAP ASSY-(REWORK) (REPLS ITEMS 7A, 7B, 7C, 7E) (REPLD BY ITEM 7D)	C,D	1
-7G	113T2201-5014		.FLAP ASSY- (LIMITED)	G	1
-7H	113T2201-16		DELETED		
-7J	113T2201-5016		.FLAP ASSY- (LIMITED)	G	1
-7K	113T2201-5018		.FLAP ASSY- (LIMITED)	P,T	1
-7L	113T2201-5020		.FLAP ASSY- (LIMITED)	P,T	1
-7M	113T2201-5022		.FLAP ASSY- (LIMITED)	P,T	1
-7N	113T2201-5024		.FLAP ASSY- (LIMITED)	V,X	1
-7P	113T2201-5026		.FLAP ASSY- (LIMITED)	V,X	1
-7Q	113T2201-5028		.FLAP ASSY- (LIMITED)	V,X	1
8	113T2106-5		..WASHER-COLLAR FTG	A-E,G ,N,P, S-X	AR
9	113T2106-7		..WASHER-COLLAR FTG	A-E,G ,N,P, S-X	1
11	113T2106-8		..WASHER-COLLAR FTG	A-E,G ,N,P, S-X	1
13	113T2106-6		..NUT-COLLAR FTG	A-E,G ,N,P, S-X	1
15 15A	113T2252-1 113T2252-5		DELETED ..FITTING ASSY-COLLAR (PRE SB 767-57A0066R3)	A,B,N ,S,U, W	1
-15B	113T2252-13		..FITTING ASSY-COLLAR (OPT ITEM 15C) (POST SB 767-57A0066R3)	A,B,N ,S,U, W	1

57-53-27

 ILLUSTRATED PARTS LIST  
 01.101 Page 1030G  
 Mar 01/05

FIG. & ITEM	PART NO.	AIRLINE PART NUMBER	NOMENCLATURE 1234567	EFF CODE	QTY PER ASSY
01- -15C	113T2252-401		..FITTING ASSY-COLLAR (OPT ITEM 15B) (POST SB 767-57A0066R3)	A,B,N ,S,U, W	1
-17 -17A	113T2252-2 113T2252-6		DELETED ..FITTING ASSY-COLLAR (PRE SB 767-57A0066R3)	C,D,P ,T,V, X	1
-17B	113T2252-14		..FITTING ASSY-COLLAR (OPT ITEM 17C) (POST SB 767-57A0066R3)	C,D,P ,T,V, X	1
-17C	113T2252-402		..FITTING ASSY-COLLAR (OPT ITEM 17B) (POST SB 767-57A0066R3)	C,D,P ,T,V, X	1
19	113T2252-3		...FITTING- (USED ON ITEM 15A)	A,B,N ,S,U, W	1
-19A	113T2252-11		...FITTING- (USED ON ITEM 15B)	A,B,N ,S,U, W	1
-19B	113T2252-405		...FITTING- (USED ON ITEM 15C)	A,B,N ,S,U, W	1
-21	113T2252-4		...FITTING- (USED ON ITEM 17A)	C,D,P ,T,V, X	1
-21A	113T2252-12		...FITTING- (USED ON ITEM 17B)	C,D,P ,T,V, X	1
-21B	113T2252-406		...FITTING- (USED ON ITEM 17C)	C,D,P ,T,V, X	1

**57-53-27**

 ILLUSTRATED PARTS LIST  
 01.101 Page 1030H  
 Mar 01/05


**BOEING**  
 COMPONENT  
 MAINTENANCE MANUAL

FIG. & ITEM	PART NO.	AIRLINE PART NUMBER	NOMENCLATURE 1234567	EFF CODE	QTY PER ASSY
01-22	113T2252-1		...FITTING- (USED ON ITEM 15A)	A,B,N ,S,U, W	1
-22A	113T2252-9		...FITTING- (USED ON ITEM 15B)	A,B,N ,S,U, W	1
-22B	113T2252-403		...FITTING- (USED ON ITEM 15C)	A,B,N ,S,U, W	1
22G	113T2252-2		...FITTING- (USED ON ITEM 17A)	C,D,P ,T,V, X	1
-22H	113T2252-10		...FITTING- (USED ON ITEM 17B)	C,D,P ,T,V, X	1
-22J	113T2252-404		...FITTING- (USED ON ITEM 17C)	C,D,P ,T,V, X	1
23	113T1256-35		..SEAL-COLLAR FTG (OPT ITEM 23A)	A-E,G ,N,P, S-X	1
-23A	113T1256-45		..SEAL-COLLAR FTG (OPT ITEM 23)	A-E,G ,N,P, S-X	1
25	113T1256-36		..SEAL-COLLAR FTG (OPT ITEM 25A)	A-E,G ,N,P, S-X	1
-25A	113T1256-47		..SEAL-COLLAR FTG (OPT ITEM 25)	A-E,G ,N,P, S-X	1
27	113T2202-1		..SEAL INSTL-INBD (FOR DETAILS SEE FIG. 3)	A,B	1

57-53-27

 ILLUSTRATED PARTS LIST  
 01.101 Page 1030I  
 Mar 01/05

FIG. & ITEM	PART NO.	AIRLINE PART NUMBER	NOMENCLATURE 1234567	EFF CODE	QTY PER ASSY
01- -27A	113T2202-43		..SEAL INSTL-INBD (USED ON ITEM 6F) (FOR DETAILS SEE FIG. 3)	E	1
-27B	113T2202-51		DELETED		
-27C	113T2202-57		..SEAL INSTL-INBD (USED ON ITEM 6P) (FOR DETAILS SEE FIG. 3)	E	1
-27D	113T2202-53		..SEAL INSTL-INBD (USED ON ITEMS 6Q, 6R, 6S, 6T, 6U, 6V) (FOR DETAILS SEE FIG. 3)	N,S,U ,W	1
-29	113T2202-2		..SEAL INSTL-INBD (FOR DETAILS SEE FIG. 3)	C,D	1
-29A	113T2202-44		..SEAL INSTL-INBD (USED ON ITEM 7G) (FOR DETAILS SEE FIG. 3)	G	1
-29B	113T2202-52		DELETED		
-29C	113T2202-58		..SEAL INSTL-INBD (USED ON ITEM 7J) (FOR DETAILS SEE FIG. 3)	G	1
-29D	113T2202-54		..SEAL INSTL-INBD (USED ON ITEMS 7K, 7L, 7M, 7N, 7P, 7Q) (FOR DETAILS SEE FIG. 3)	P,T,V ,X	1
31	113T2202-3		..SEAL INSTL-OUTBD (FOR DETAILS SEE FIG. 3)	A,B,E ,N,S, U,W	1
-33	113T2202-4		..SEAL INSTL-OUTBD (FOR DETAILS SEE FIG. 3)	C,D,G ,P,T, V,X	1
55	113T2204-1		..FRANGIBLE ASSY- (USED ON ITEMS 6, 6A, 6B, 6D, 6E)	A,B	1
-55A	113T2204-15		..FRANGIBLE ASSY- (USED ON ITEMS 6C, 6Q, 6R, 6S, 6T, 6U, 6V)	A,B,E ,N,S, U,W	1
-56	113T2204-2		..FRANGIBLE ASSY- (USED ON ITEMS 7A, 7B, 7C, 7E, 7F)	C,D	1

# 57-53-27

 ILLUSTRATED PARTS LIST  
 01.101 Page 1030J  
 Mar 01/05



**BOEING**  
 COMPONENT  
 MAINTENANCE MANUAL

FIG. & ITEM	PART NO.	AIRLINE PART NUMBER	NOMENCLATURE 1234567	EFF CODE	QTY PER ASSY
01-56A	113T2204-16		..FRANGIBLE ASSY- (USED ON ITEMS 7D, 7K, 7L, 7M, 7N, 7P, 7Q) ATTACHING PARTS	C,D,G ,P,T, V,X	1
57	BACB30NN3K6		..BOLT	A-E,G ,N,P, S-X	57
58A	BACS4OR08C374F		..SHIM	A-E,G ,N,P, S-X	1
59	BACS4OR12C75F		..SHIM	A-E,G ,N,P, S-X	1
60	BACS4OR10C10F		..SHIM	A-E,G ,N,P, S-X	1
61	BACN10JQ32		-----*----- ...NUTPLATE	A-E,G ,N,P, S-X	8
62	NS103191-02-4		...NUTPLATE- (V80539) (SPEC BACN10KE3B4) (OPT F51750-3-4 (V15653)) (OPT RMF9213-4-3 (V72962)) (OPT BRFR220A3-4 (V52828))	A-E,G ,N,P, S-X	52

**57-53-27**

ILLUSTRATED PARTS LIST  
 01.101 Page 1030K  
 Mar 01/05

FIG. & ITEM	PART NO.	AIRLINE PART NUMBER	NOMENCLATURE 1234567	EFF CODE	QTY PER ASSY
01-63A 63B	BACN10KE3E6 NS103194-02-4		DELETED ...NUTPLATE- (V80539) (SPEC BACN10KE3E4) (OPT F51752-3-4 (V15653)) (OPT RMF9216-4-3 (V72962)) (OPT BRFR120A3-4 (V52828)) ATTACHING PARTS	A-E,G ,N,P, S-X	1
64	BACR15BA3AD		...RIVET- (SIZE DETERMINE ON INST)  -----*-----	A-E,G ,N,P, S-X	122
65	BACB30LJ4H5		..BOLT	A-E,G ,N,P, S-X	1
67	113T2201-3		..SHIM	A-E,G ,N,P, S-X	1
69	BACW10BP4APU		..WASHER	A-E,G ,N,P, S-X	1
71	113T2279-1		..STOP-OVER TRAVEL	A-E,G ,N,P, S-X	1
73	BACB30LE5U19		..BOLT	A-E,G ,N,P, S-X	1

57-53-27

 ILLUSTRATED PARTS LIST  
 01.101 Page 1030L  
 Mar 01/05


**BOEING**  
 COMPONENT  
 MAINTENANCE MANUAL

FIG. & ITEM	PART NO.	AIRLINE PART NUMBER	NOMENCLATURE 1234567	EFF CODE	QTY PER ASSY
01-75	BACB30LE5U18		..BOLT	A-E,G ,N,P, S-X	1
77	BACW10BP5ACU		..WASHER	A-E,G ,N,P, S-X	2
79	BACW10BP5DP		..WASHER	A-E,G ,N,P, S-X	2
81	BACB28AK05-075		..BUSHING	A-E,G ,N,P, S-X	1
83	BACB28AK05-079		..BUSHING	A-E,G ,N,P, S-X	1
85	BMN5024CPD5		..NUT- (V08524) (SPEC BACN10HR5CS) (OPT 67832AS524 (V56878)) (OPT 67832AS524 (V56878)) (OPT BMN5024CPD3-5 (V97928)) (OPT BH00303-5 (V27238)) (OPT BMN5024CPD35 (V97928)) (OPT BH003035 (V27238)) (OPT BMN5024CPD35 (V97928)) (OPT CR59085 (V62554)) (OPT 109LH90315 (V72962)) (OPT 67832AS5 (V56878)) (OPT BMN10HRRCPD3-5 (V97928))	A-E,G ,N,P, S-X	2
87	113T2276-1		..TRACK ASSY-OUTBD	A,B	1
-87A	113T2276-5		..TRACK ASSY-OUTBD	E,N,S ,U,W	1
-87B	113T2276-9		DELETED		
-89	113T2276-2		..TRACK ASSY-OUTBD	C,D	1

57-53-27

 ILLUSTRATED PARTS LIST  
 01.101 Page 1030M  
 Mar 01/05

FIG. & ITEM	PART NO.	AIRLINE PART NUMBER	NOMENCLATURE 1234567	EFF CODE	QTY PER ASSY
01- -89A	113T2276-6		..TRACK ASSY-OUTBD	G,P,T ,V,X	1
-89B 91	113T2276-10 113T2104-1		DELETED ...BUSHING	A-E,G ,N,P, S-X	1
93	113T2104-3		...BUSHING	A-E,G ,N,P, S-X	1
95 97	113T2104-5 BACB28AP09P018		DELETED ...BUSHING	A-E,G ,N,P, S-X	1
99	113T2276-3		...TRACK- (OPT ITEM 99B)	A,B	1
-99A	113T2276-7		...TRACK- (OPT ITEMS 99C, 99D)	E,N,S ,U,W	1
-99B	113T2276-13		...TRACK- (OPT ITEM 99)	A,B	1
-99C	113T2276-11		...TRACK- (OPT ITEMS 99A, 99D)	E,N,S ,U,W	1
-99D	113T2276-15		...TRACK- (OPT ITEMS 99A, 99C)	E,N,S ,U,W	1
-101	113T2276-4		...TRACK- (OPT ITEM 101B)	C,D	1
-101A	113T2276-8		...TRACK- (OPT ITEMS 101C, 101D)	G,P,T ,V,X	1
-101B	113T2276-14		...TRACK- (OPT ITEM 101)	C,D	1
-101C	113T2276-12		...TRACK- (OPT ITEMS 101A, 101D)	G,P,T ,V,X	1
-101D	113T2276-16		...TRACK- (OPT ITEMS 101A, 101C)	G,P,T ,V,X	1
103	BACB30LJ4H5		..BOLT	A-E,G ,N,P, S-X	1
105	113T2201-3		..SHIM	A-E,G ,N,P, S-X	1
107	BACW10BP4APU		..WASHER	A-E,G ,N,P, S-X	1
109	113T2279-1		..STOP-OVERTRAVEL	A-E,G ,N,P, S-X	1

# 57-53-27

 ILLUSTRATED PARTS LIST  
 01.101 Page 1030N  
 Mar 01/05


**BOEING**  
 COMPONENT  
 MAINTENANCE MANUAL

FIG. & ITEM	PART NO.	AIRLINE PART NUMBER	NOMENCLATURE 1234567	EFF CODE	QTY PER ASSY
01-111	BACB30LE5U19		..BOLT	A-E,G ,N,P, S-X	1
113	BACB30LE5U18		..BOLT	A-E,G ,N,P, S-X	1
115	BACW10BP5ACU		..WASHER	A-E,G ,N,P, S-X	2
117	BACW10BP5DP		..WASHER	A-E,G ,N,P, S-X	2
119	BACB28AK05-075		..BUSHING	A-E,G ,N,P, S-X	1
121	BACB28AK05-079		..BUSHING	A-E,G ,N,P, S-X	1
123	BMN5024CPD5		..NUT- (V08524) (SPEC BACN10HR5CS) (OPT 67832AS524 (V56878)) (OPT 67832AS524 (V56878)) (OPT BMN5024CPD3-5 (V97928)) (OPT BH00303-5 (V27238)) (OPT BMN5024CPD35 (V97928)) (OPT BH003035 (V27238)) (OPT BMN5024CPD35 (V97928)) (OPT CR59085 (V62554)) (OPT 109LH90315 (V72962)) (OPT 67832AS5 (V56878)) (OPT BMN10HRRCPD3-5 (V97928))	A-E,G ,N,P, S-X	2

57-53-27

 ILLUSTRATED PARTS LIST  
 01.101 Page 10300  
 Mar 01/05

FIG. & ITEM	PART NO.	AIRLINE PART NUMBER	NOMENCLATURE 1234567	EFF CODE	QTY PER ASSY
01-					
125	113T2272-1		..TRACK ASSY-INBD	A,B	1
-125A	113T2272-5		..TRACK ASSY-INBD	E,N,S ,U,W	1
-125B	113T2272-9		DELETED		
-127	113T2272-2		..TRACK ASSY-INBD	C,D	1
-127A	113T2272-6		..TRACK ASSY-INBD	G,P,T ,V,X	1
-127B	113T2272-10		DELETED		
129	113T2104-1		...BUSHING	A-E,G ,N,P, S-X	1
131	113T2104-3		...BUSHING	A-E,G ,N,P, S-X	1
133	113T2104-5		...BUSHING	A-E,G ,N,P, S-X	1
135	BACB28AP09P018		...BUSHING	A-E,G ,N,P, S-X	1
137	113T2272-3		...TRACK- (OPT ITEM 137B)	A,B	1
-137A	113T2272-7		...TRACK- (OPT ITEMS 137C, 137D)	E,N,S ,U,W	1
-137B	113T2272-13		...TRACK- (OPT ITEM 137)	A,B	1
-137C	113T2272-11		...TRACK- (OPT ITEMS 137A, 137D)	E,N,S ,U,W	1
-137D	113T2272-15		...TRACK- (OPT ITEMS 137A, 137C)	E,N,S ,U,W	1

**57-53-27**

 ILLUSTRATED PARTS LIST  
 01.101 Page 1030P  
 Mar 01/05


**BOEING**  
 COMPONENT  
 MAINTENANCE MANUAL

FIG. & ITEM	PART NO.	AIRLINE PART NUMBER	NOMENCLATURE 1234567	EFF CODE	QTY PER ASSY
01- -139	113T2272-4		...TRACK- (OPT ITEM 139B)	C,D	1
-139A	113T2272-8		...TRACK- (OPT ITEMS 139C, 139D)	G,P,T ,V,X	1
-139B	113T2272-14		...TRACK- (OPT ITEM 139)	C,D	1
-139C	113T2272-12		...TRACK- (OPT ITEMS 139A, 139D)	G,P,T ,V,X	1
-139D	113T2272-16		...TRACK- (OPT ITEMS 139A, 139C)	G,P,T ,V,X	1
141	BACB30LJ4U21		..BOLT	A-E,G ,N,P, S-X	2
143	AN960-416		..WASHER	A-E,G ,N,P, S-X	2
145	AN960C416		..WASHER	A-E,G ,N,P, S-X	2
147	BACB28AK04-037		..BUSHING	A-E,G ,N,P, S-X	2
149	NAS1805-4		..NUT	A-E,G ,N,P, S-X	2
151A	SDR4-135A1-501		DELETED		
151B	SDR4-135A1-501		..LINK ASSY- (V77896) (SPEC S012T236-200)	A-D	2
-151C	S012T236-205		DELETED		

57-53-27

 ILLUSTRATED PARTS LIST  
 01.101 Page 1030Q  
 Mar 01/05

FIG. & ITEM	PART NO.	AIRLINE PART NUMBER	NOMENCLATURE 1234567	EFF CODE	QTY PER ASSY
01- -151D	SDR4-135A1-502		..LINK ASSY- (V77896) (SPEC S012T236-205)	E,G,N ,P, S-X	2
152	MS24665-153		..PIN-COTTER	A-E,G ,N,P, S-X	2
153	BACB30LE5U19		DELETED		
153A	113T2108-6		DELETED		
153B	BACB30LJ5DU19		..BOLT	A-E,G ,N,P, S-X	2
155	AN960-516		..WASHER	A-E,G ,N,P, S-X	2
157	AN960C516		..WASHER	A-E,G ,N,P, S-X	2
159	BACB28AK05-034		..BUSHING	A-E,G ,N,P, S-X	2
161	BACN10HR5CS		DELETED		
161A	BACN10JC5CM		DELETED		
161B	BACN10JD5ASU		..NUT	A-E,G ,N,P, S-X	2
163	113T2401-1		..ROD ASSY-PUSH	A-D	1
-163A	113T2401-5		..ROD ASSY-PUSH	E,G,N ,P, S-X	1
-163B	113T2401-9		DELETED		
165	SM5-6C1-502		...BEARING- (V77896) (SPEC S012T236-7)	A-E,G ,N,P, S-X	2
167	NAS513-6		...WASHER	A-E,G ,N,P, S-X	2
169	NAS509-6C		...NUT	A-E,G ,N,P, S-X	2
171	113T2401-2		...ROD ASSY	A-D	1
-171A	113T2401-6		...TUBE ASSY	E,G,N ,P, S-X	1

# 57-53-27

 ILLUSTRATED PARTS LIST  
 01.101 Page 1030R  
 Mar 01/05




**BOEING**  
 COMPONENT  
 MAINTENANCE MANUAL

FIG. & ITEM	PART NO.	AIRLINE PART NUMBER	NOMENCLATURE 1234567	EFF CODE	QTY PER ASSY
01-					
-171B	113T2401-10		DELETED		
173	113T2401-4		....INSERT	A-E,G ,N,P, S-X	2
175	113T2401-3		....TUBE	A-D	1
-175A	113T2401-7		....TUBE	E,G,N ,P, S-X	1
177	113T2108-5		..BOLT	A-D	2
-177A	113T2108-7		..BOLT	E,G,N ,P, S-X	2
179	113T2106-11		..WASHER	A-E,G ,N,P, S-X	2
180	BACW10BP7AP		..WASHER	A-E,G ,N,P, S-X	2
181	BACW10BP8ACU		..WASHER	A-E,G ,N,P, S-X	2
183	113T1256-34		..SEAL- (OPT ITEM 183A)	A-E,G ,N,P, S-X	4
-183A	113T1256-50		..SEAL- (OPT ITEM 183)	A-E,G ,N,P, S-X	1
185	113T2106-9		..NUT	A-E,G ,N,P, S-X	2
187	113T2403-1		..BELLCRANK ASSY	A,B	2
-187A	113T2403-11		DELETED		

57-53-27

 ILLUSTRATED PARTS LIST  
 01.101 Page 1030S  
 Mar 01/05

FIG. & ITEM	PART NO.	AIRLINE PART NUMBER	NOMENCLATURE 1234567	EFF CODE	QTY PER ASSY
01-188	113T2403-7		..BELLCRANK ASSY	E,N,S ,U,W	2
-189	113T2403-2		..BELLCRANK ASSY	C,D	2
-189A	113T2403-12		DELETED		
-190	113T2403-8		..BELLCRANK ASSY	G,P,T ,V,X	2
191	BACB28AM06B018		...BUSHING	A-E,G ,N,P, S-X	1
193	BACB28AP04P018		...BUSHING	A-E,G ,N,P, S-X	1
195	BACB28AM07B016		...BUSHING	A-E,G ,N,P, S-X	1
197	BACB28AP05P016		...BUSHING	A-E,G ,N,P, S-X	1
199	113T2104-17		...BUSHING	A-E,G ,N,P, S-X	2
201	113T2106-12		...WASHER-SPECIAL	A-E,G ,N,P, S-X	2
203	MS15001-1		...FITTING	A-D	2
204	MS15001-1		...FITTING	E,G,N ,P, S-X	2
205	113T2403-3		...BELLCRANK	A,B	1

# 57-53-27

 ILLUSTRATED PARTS LIST  
 01.101 Page 1030T  
 Mar 01/05


**BOEING**  
 COMPONENT  
 MAINTENANCE MANUAL

FIG. & ITEM	PART NO.	AIRLINE PART NUMBER	NOMENCLATURE 1234567	EFF CODE	QTY PER ASSY
01-206	113T2403-9		...BELLCRANK	E,N,S ,U,W	1
-207	113T2403-4		...BELLCRANK	C,D	1
-208	113T2403-10		...BELLCRANK	G,P,T ,V,X	1
209	113T2270-1		..FITTING ASSY-HINGE INBD (USED ON ITEMS 6, 6B, 7A, 7C)	A-D	1
-210	113T2270-10		..FITTING ASSY-HINGE INBD (USED ON ITEMS 6A, 6C, 6D, 6E, 6Q, 7B, 7D, 7E, 7F, 7K)	A-E,G ,N,P, S,T	1
-210A	113T2270-11		..FITTING ASSY-HINGE INBD (USED ON ITEMS 6R, 6S, 6T, 6U, 6V, 7L, 7M, 7N 7P, 7Q)	N,P, S-X	1
211	BACB30MR5K24		..BOLT ATTACHING PARTS	A-E,G ,N,P, S-X	1
-211A	NAS6705-24		DELETED		
213	BACB30MR5K27		..BOLT	A-E,G ,N,P, S-X	2
-213A	NAS6705-27		DELETED		
215	BACB30MR5K29		..BOLT	A-E,G ,N,P, S-X	1
217	BACB30MR7K30		..BOLT	A-E,G ,N,P, S-X	1
219	BACB30MR7K31		..BOLT	A-E,G ,N,P, S-X	1

57-53-27

 ILLUSTRATED PARTS LIST  
 01.101 Page 1030U  
 Mar 01/05

FIG. & ITEM	PART NO.	AIRLINE PART NUMBER	NOMENCLATURE 1234567	EFF CODE	QTY PER ASSY
01-221	K29913-5		..WASHER- (V15653) (SPEC BACW10CA5CC) (OPT 70191-5 (V56878)) (OPT 922008-5 (V60119)) (OPT 942008-5 (V60119))	A-E,G ,N,P, S-X	4
223	K29646-5		..WASHER- (V15653) (SPEC BACW10CA5CV) (OPT 70188-5 (V56878)) (OPT 922007-5 (V60119)) (OPT 942007-5 (V60119))	A-E,G ,N,P, S-X	4
225	K29913-7		..WASHER- (V15653) (SPEC BACW10CA7CC) (OPT 70191-7 (V56878)) (OPT 922008-7 (V60119)) (OPT 942008-7 (V60119))	A-E,G ,N,P, S-X	2
227 227A	BACB10CA7CV K29646-7		DELETED ..WASHER- (V15653) (SPEC BACW10CA7CV) (OPT 70188-7 (V56878)) (OPT 922007-7 (V60119)) (OPT 942007-7 (V60119))	A-E,G ,N,P, S-X	2
228	BACS40R08E15F		..SHIM	A-E,G ,N,P, S-X	AR
229	113T2289-4		..FILLER-RADIUS	A-E,G ,N,P, S-X	4

57-53-27

 ILLUSTRATED PARTS LIST  
 01.101 Page 1030V  
 Mar 01/05


**BOEING**  
 COMPONENT  
 MAINTENANCE MANUAL

FIG. & ITEM	PART NO.	AIRLINE PART NUMBER	NOMENCLATURE 1234567	EFF CODE	QTY PER ASSY
01-231	113T2289-5		..FILLER-RADIUS	A-E,G ,N,P, S-X	2
232	BACR15BA6AD		..RIVET- (SIZE DETERMINE ON INST)	A-E,G ,N,P, S-X	4
233	NAS1804-5		..NUT	A-E,G ,N,P, S-X	4
235	NAS1804-7		..NUT	A-E,G ,N,P, S-X	2
237	113T2104-13		-----*----- ...BUSHING	A-E,G ,N,P, S-X	1
239	BACB28AM09B027A		...BUSHING	A-E,G ,N,P, S-X	1
241	113T2270-7		...FILLER	A-E,G ,N,P, S-X	1
243	113T2270-5		...PLATE-COVER LH	A-E,G ,N,P, S-X	1
-245	113T2270-6		...PLATE-COVER RH	A-E,G ,N,P, S-X	1
247	113T2270-3		...FITTING- (USED ON ITEM 209)	A-D	1
-248	113T2270-9		...FITTING- (USED ON ITEM 210)	A-E,G ,N,P, S,T	1

57-53-27

 ILLUSTRATED PARTS LIST  
 01.101 Page 1030W  
 Mar 01/05

FIG. & ITEM	PART NO.	AIRLINE PART NUMBER	NOMENCLATURE 1234567	EFF CODE	QTY PER ASSY
01- -248A	113T2270-12		...FITTING- (USED ON ITEM 210A)	N,P, S-X	1
249	BACB30LE5U15		..BOLT	A-E,G ,N,P, S-X	1
251	BACW10BP5CD		..WASHER	A-E,G ,N,P, S-X	1
253	BACW10BP5APU		..WASHER	A-E,G ,N,P, S-X	1
255	BACB28AK05-020		..BUSHING- (SELECT FROM)	A-E,G ,N,P, S-X	AR
-255A	BACB28AK05-022		..BUSHING- (SELECT FROM)	A-E,G ,N,P, S-X	AR
-255B	BACB28AK05-025		..BUSHING- (SELECT FROM)	A-E,G ,N,P, S-X	AR
261	BMN5024CPD5		..NUT- (V08524) (SPEC BACN10HR5CS) (OPT 67832AS524 (V56878)) (OPT 67832AS524 (V56878)) (OPT BMN5024CPD3-5 (V97928)) (OPT BH00303-5 (V27238)) (OPT BMN5024CPD35 (V97928)) (OPT BH003035 (V27238)) (OPT BMN5024CPD35 (V97928)) (OPT CR59085 (V62554)) (OPT 109LH90315 (V72962)) (OPT 67832AS5 (V56878)) (OPT BMN10HRRCPD3-5 (V97928))	A-E,G ,N,P, S-X	1

# 57-53-27

 ILLUSTRATED PARTS LIST  
 01.101 Page 1030X  
 Mar 01/05


**BOEING**  
 COMPONENT  
 MAINTENANCE MANUAL

FIG. & ITEM	PART NO.	AIRLINE PART NUMBER	NOMENCLATURE 1234567	EFF CODE	QTY PER ASSY
01-263	113T2278-1		..STRUT ASSY-SIDE	A-E,G ,N,P, S-X	1
265	113T2280-1		...FITTING ASSY	A-E,G ,N,P, S-X	2
271	BACB28AM07B008A		....BUSHING	A-E,G ,N,P, S-X	1
273	BACB28AP05P008		....BUSHING	A-E,G ,N,P, S-X	1
274	113T2280-2		....FITTING	A-E,G ,N,P, S-X	1
275	NAS509-6		...NUT	A-E,G ,N,P, S-X	2
276	NAS513-6		...WASHER	A-E,G ,N,P, S-X	2
276G	113T2278-2		...TUBE ASSY	A-E,G ,N,P, S-X	1
277	HL10VAZ5-12		....BOLT- (V60516) (SPEC BACB30MY5K12) (OPT B30MY5K12 (V97928))	A-E,G ,N,P, S-X	2

57-53-27

 ILLUSTRATED PARTS LIST  
 01.101 Page 1030Y  
 Mar 01/05

FIG. & ITEM	PART NO.	AIRLINE PART NUMBER	NOMENCLATURE 1234567	EFF CODE	QTY PER ASSY
01-279	HL70-5		....COLLAR- (V5M902) (SPEC BACC30M5) (OPT HL70-5 (V73197)) (OPT HL70-5 (V92215)) (OPT 66014-5 (V56878)) (OPT HL70-5 (V56878))	A-E,G ,N,P, S-X	2
281	113T2280-4		....INSERT	A-E,G ,N,P, S-X	2
283	113T2280-3		....TUBE	A-E,G ,N,P, S-X	1
285A	113T2271-13		..FITTING ASSY-HINGE OUTBD (MATCHED SET) (USED ON ITEM 6) (PRE SB 767-57A0076)	A,B	1
-286	113T2271-23		..FITTING ASSY-HINGE OUTBD (MATCHED SET) (USED ON ITEMS 6A, 6B, 6C, 6D, 6E) (PRE SB 767-57A0076)	A,B	1
-286A	113T2271-29		..FITTING ASSY-HINGE OUTBD (MATCHED SET) (PRE SB 757-57-0025R1) (PRE SB 767-57A0076)	E	1
-286B	113T2271-31		DELETED		
-286C	113T2271-33		..FITTING ASSY-HINGE OUTBD (MATCHED SET) (POST SB 757-57-0025R1) (PRE SB 767-57A0076)	N,S,U ,W	1
-286D	BCREFA2586		..FITTING ASSY-HINGE OUTBD (MATCHED SET) (USED ON ITEMS 6F, 6P) (POST SB 757-57-0025R1)	E	1
R -286E	113T2271-43		..FITTING ASSY-HINGE OUTBD (MATCHED SET) (POST SB 767-57A0076)	A,B,E ,N,S, U,W	1

57-53-27

 ILLUSTRATED PARTS LIST  
 01.101 Page 1030Z  
 Mar 01/05




**BOEING**  
 COMPONENT  
 MAINTENANCE MANUAL

FIG. & ITEM	PART NO.	AIRLINE PART NUMBER	NOMENCLATURE 1234567	EFF CODE	QTY PER ASSY
01- -287A	113T2271-14		..FITTING ASSY-HINGE OUTBD (MATCHED SET) (USED ON ITEM 7A) (PRE SB 767-57A0076)	C,D	1
-288	113T2271-24		..FITTING ASSY-HINGE OUTBD (MATCHED SET) (USED ON ITEMS 7B, 7C, 7D, 7E, 7F) (PRE SB 767-57A0076)	C,D	1
-288A	113T2271-30		..FITTING ASSY-HINGE OUTBD (MATCHED SET) (PRE SB 757-57-0025R1) (PRE SB 767-57A0076)	G	1
-288B	113T2271-32		DELETED		
-288C	113T2271-34		..FITTING ASSY-HINGE OUTBD (MATCHED SET) (POST SB 757-57-0025R1) (PRE SB 767-57A0076)	P,T,V ,X	1
-288D	BCREFA2587		..FITTING ASSY-HINGE OUTBD (MATCHED SET) (USED ON ITEMS 7G, 7J) (POST SB 757-57-0025R1)	G	1
R -288E	113T2271-44		..FITTING ASSY-HINGE OUTBD (MATCHED SET) (POST SB 767-57A0076) ATTACHING PARTS	C,D,G ,P,T, V,X	1
289	BACB30MR5K20		..BOLT	A-E,G ,N,P, S-X	2
-289A	NAS6705-20		DELETED		
291	BACB30MR5K19		..BOLT	A-E,G ,N,P, S-X	2
293	BACW10BP5CD		..WASHER	A-E,G ,N,P, S-X	4
295	BACW10BP5DP		..WASHER	A-E,G ,N,P, S-X	4
297	BACS40R15D17F		..SHIM	A-E,G ,N,P, S-X	2

57-53-27

 ILLUSTRATED PARTS LIST  
 01.101 Page 1031  
 Mar 01/05

FIG. & ITEM	PART NO.	AIRLINE PART NUMBER	NOMENCLATURE 1234567	EFF CODE	QTY PER ASSY
01-299	BACS40R15D15F		..SHIM	A-E,G ,N,P, S-X	2
301	NAS1804-5		..NUT	A-E,G ,N,P, S-X	4
			-----*-----		
303A	113T2271-15		...FITTING ASSY-HINGE (USED ON ITEMS 285A, 286, 286A, 286C)	A,B,E ,N,S, U,W	1
-303B	BCREFA2588		...FITTING ASSY-HINGE (USED ON ITEM 286D)	E	1
R -303C	113T2271-39		...FITTING ASSY-HINGE (USED ON ITEM 286E)	A,B,E ,N,S, U,W	1
-305A	113T2271-16		...FITTING ASSY-HINGE (USED ON ITEMS 287A, 288, 288A, 288C)	C,D,G ,P,T, V,X	1
-305B	BCREFA2589		...FITTING ASSY-HINGE (USED ON ITEM 288D)	G	1
R -305C	113T2271-40		...FITTING ASSY-HINGE (USED ON ITEM 288E)	C,D,G ,P,T, V,X	1
307A	113T2271-19		...FITTING ASSY-HINGE (USED ON ITEM 285A)	A,B	1
-309A	113T2271-20		...FITTING ASSY-HINGE (USED ON ITEM 287A)	C,D	1
-310	113T2271-25		...FITTING ASSY-HINGE (USED ON ITEMS 286, 286A, 286C)	A,B,E ,N,S, U,W	1

57-53-27

 ILLUSTRATED PARTS LIST  
 01.101 Page 1032  
 Mar 01/05


**BOEING**  
 COMPONENT  
 MAINTENANCE MANUAL

FIG. & ITEM	PART NO.	AIRLINE PART NUMBER	NOMENCLATURE 1234567	EFF CODE	QTY PER ASSY
01- -310A	BCREFA2588		...FITTING ASSY-HINGE (USED ON ITEM 286D)	E	1
R -310B	113T2271-41		...FITTING ASSY-HINGE (USED ON ITEM 286E)	A,B,E ,N,S, U,W	1
-310G	113T2271-26		...FITTING ASSY-HINGE (USED ON ITEMS 288, 288A, 288C)	C,D,G ,P,T, V,X	1
-310H	BCREFA2589		...FITTING ASSY-HINGE (USED ON ITEM 288D)	G	1
R -310J	113T2271-42		...FITTING ASSY-HINGE (USED ON ITEM 288E)	C,D,G ,P,T, V,X	1
311	BACB28AM09B036A		....BUSHING- (USED ON ITEMS 303A, 303C, 305A, 305C)	A-E,G ,N,P, S-X	1
313	113T2104-21		....BUSHING- (USED ON ITEMS 307A, 309A, 310, 310B, 310G, 310J)	A-E,G ,N,P, S-X	1
315	ADW05V301NC		....BEARING- (V15860) (SPEC BACB10FA05GC) (OPT SWKRS05-350SC (V81376)) (OPT KSC152200BZ05GC (V50632)) (OPT KWDB05-35 (V97613)) (OPT WES05FAGC (V73134)) (OPT WHTFA05VC (VS0352)) (USED ON ITEMS 307A, 309A, 310, 310B, 310G, 310J)	A-E,G ,N,P, S-X	1

57-53-27

 ILLUSTRATED PARTS LIST  
 01.101 Page 1032A  
 Mar 01/05

FIG. & ITEM	PART NO.	AIRLINE PART NUMBER	NOMENCLATURE 1234567	EFF CODE	QTY PER ASSY
01-317	113T2104-9		....BUSHING	A-E,G ,N,P, S-X	1
319	113T2104-8		....BUSHING	A-E,G ,N,P, S-X	1
321	113T2106-14		....WASHER-SPECIAL	A-E,G ,N,P, S-X	1
323	113T2106-13		....WASHER-SPECIAL	A-E,G ,N,P, S-X	1
-324	BCREFA2590		....PLATE-INDEX (USED ON ITEMS 303B, 305B)	E,G	1
-324G	HL10VAZ6-3		....BOLT- (V60516) (SPEC BACB30MY6K3) (OPT B30MY6K3 (V97928)) (USED WITH ITEM 324)	E,G	2
-324K	HL79-6		....COLLAR- (V5M902) (SPEC BACC30M6) (OPT HL79-6 (V73197)) (OPT HL79-6 (V92215)) (OPT 66014-6 (V56878)) (OPT HL79-6 (V56878)) (USED WITH ITEM 324)	E,G	2

# 57-53-27

 ILLUSTRATED PARTS LIST  
 01.101 Page 1032B  
 Mar 01/05


**BOEING**  
 COMPONENT  
 MAINTENANCE MANUAL

FIG. & ITEM	PART NO.	AIRLINE PART NUMBER	NOMENCLATURE 1234567	EFF CODE	QTY PER ASSY
01-325A	113T2271-17		....FITTING- (USED ON ITEM 303A)	A,B,E ,N,S, U,W	1
-325B	BCREFA2591		....FITTING- (USED ON ITEM 303B)	E	1
R -325C	113T2271-35		....FITTING- (USED ON ITEM 303C)	A,B,E ,N,S, U,W	1
-327A	113T2271-18		....FITTING- (USED ON ITEM 305A)	C,D,G ,P,T, V,X	1
-327B	BCREFA2592		....FITTING- (USED ON ITEM 305B)	G	1
R -327C	113T2271-36		....FITTING- (USED ON ITEM 305C)	C,D,G ,P,T, V,X	1
-328	BCREFA2590		....PLATE-INDEX (USED ON ITEMS 310A, 310H)	E,G	1
-328G	HL10VAZ6-3		....BOLT- (V60516) (SPEC BACB30MY6K3) (OPT B30MY6K3 (V97928)) (USED WITH ITEM 328)	E,G	2
-328K	HL79-6		....COLLAR- (V5M902) (SPEC BACC30M6) (OPT HL79-6 (V73197)) (OPT HL79-6 (V92215)) (OPT 66014-6 (V56878)) (OPT HL79-6 (V56878)) (USED WITH ITEM 328)	E,G	2
329	113T2271-7		....FITTING- (USED ON ITEM 307A)	A,B	1
330	113T2271-21		DELETED		
330G	113T2271-22		DELETED		
-331	113T2271-8		....FITTING- (USED ON ITEM 309A)	C,D	1

57-53-27

 ILLUSTRATED PARTS LIST  
 01.101 Page 1032C  
 Mar 01/05

FIG. & ITEM	PART NO.	AIRLINE PART NUMBER	NOMENCLATURE 1234567	EFF CODE	QTY PER ASSY
01- -332	113T2271-27		....FITTING- (USED ON ITEM 310)	A,B,E ,N,S, U,W	1
-332A	BCREFA2591		....FITTING- (USED ON ITEM 310A)	E	1
R -332B	113T2271-37		....FITTING- (USED ON ITEM 310B)	A,B,E ,N,S, U,W	1
-332G	113T2271-28		....FITTING- (USED ON ITEM 310G)	C,D,G ,P,T, V,X	1
-332H	BCREFA2592		....FITTING- (USED ON ITEM 310H)	G	1
R -332J	113T2271-38		....FITTING- (USED ON ITEM 310J)	C,D,G ,P,T, V,X	1
333A	113T2112-3		DELETED		
333B	113T2271-21		....FILLER- (USED ON ITEMS 307A, 309A)	A,B	1
334	113T2271-22		....FILLER- (USED ON ITEMS 307A, 309A)	C,D	1
-335A	113T2112-4		DELETED		
337	BACB30NT3K4		DELETED		
337A	BACB30NT3K6		..BOLT	A-E,G ,N,P, S-X	4
339	HL10VAZ6-5		..BOLT- (V60516) (SPEC BACB30MY6K5) (OPT B30MY6K5 (V97928))	A-E,G ,N,P, S-X	5
341	AN960PD10		DELETED		
341A	AN960PD10L		..WASHER	A-D	4
-341B	AN960JD10L		..WASHER	E,G,N ,P, S-X	4

# 57-53-27

 ILLUSTRATED PARTS LIST  
 01.101 Page 1032D  
 Mar 01/05


**BOEING**  
 COMPONENT  
 MAINTENANCE MANUAL

FIG. & ITEM	PART NO.	AIRLINE PART NUMBER	NOMENCLATURE 1234567	EFF CODE	QTY PER ASSY
01-343	HL79-6		..COLLAR- (V5M902) (SPEC BACC30M6) (OPT HL79-6 (V73197)) (OPT HL79-6 (V92215)) (OPT 66014-6 (V56878)) (OPT HL79-6 (V56878))	A-E,G ,N,P, S-X	5
345	BACN10JQ32		DELETED		
347	BACR15BA3AD		DELETED		
349	113T2112-3		..STIFFENER	A,B,N ,S,U, W	1
-351	113T2112-4		..STIFFENER	C,D,P ,T,V, X	1
-353	113T2290-3		..RIB INSTL-OUTBD	A,B,E ,N,S, U,W	1
-355	113T2290-4		..RIB INSTL-OUTBD	C,D,G ,P,T, V,X	1
-356	113T2290-5001		...RIB INSTL-AFT (REPLD BY ITEM 356A)	A,B,E ,N,S, U,W	1
-356A	113T2290-5003		...RIB INSTL-AFT (REPLS ITEM 356)	A,B,E ,N,S, U,W	1
-356G	113T2290-5002		...RIB INSTL-AFT (REPLD BY ITEM 356H)	C,D,G ,P,T, V,X	1

57-53-27

 ILLUSTRATED PARTS LIST  
 01.101 Page 1032E  
 Mar 01/05

FIG. & ITEM	PART NO.	AIRLINE PART NUMBER	NOMENCLATURE 1234567	EFF CODE	QTY PER ASSY
01- -356H	113T2290-5004		...RIB INSTL-AFT (REPLS ITEM 356G)	C,D,G ,P,T, V,X	1
357	113T2275-1		....FITTING ASSY-TRACK SPRT (USED ON ITEM 356)	A,B,E ,N,S, U,W	1
-358	113T2275-7		....FITTING ASSY-TRACK SPRT (USED ON ITEM 356A)	A,B,E ,N,S, U,W	1
-359	113T2275-2		....FITTING ASSY-TRACK SPRT (USED ON ITEM 356G)	C,D,G ,P,T, V,X	1
-360	113T2275-8		....FITTING ASSY-TRACK SPRT (USED ON ITEM 356H)	C,D,G ,P,T, V,X	1
361	HL11VAZ8-8		....BOLT- (V56878) (SPEC BACB30NW8K8) (OPT B30NW8K8 (V97928)) (OPT HL11VAZ8-8 (V73197)) (OPT HL11VAZ8-8 (V92215)) (OPT HL11VAZ8-8 (V97928)) (OPT L803-8K8 (V06725)) (OPT HL11VAZ8-8 (V0PTK6)) (OPT HL11VAZ8-8 (V60516))	A-E,G ,N,P, S-X	1

57-53-27

 ILLUSTRATED PARTS LIST  
 01.101 Page 1032F  
 Mar 01/05




**BOEING**  
 COMPONENT  
 MAINTENANCE MANUAL

FIG. & ITEM	PART NO.	AIRLINE PART NUMBER	NOMENCLATURE 1234567	EFF CODE	QTY PER ASSY
01-363	HL11VAZ6-5		....BOLT- (V60516) (SPEC BACB30NW6K5) (OPT HL11V6-5 (V92215)) (OPT HL11V6-5 (V97928)) (OPT L803-6-5 (V06725)) (OPT B30NW6K5 (V97928)) (OPT HL11VAZ6-5 (V73197)) (OPT HL11VAZ6-5 (V92215)) (OPT HL11VAZ6-5 (V56878))	A-E,G ,N,P, S-X	1
365	BACB30NN4K9		....BOLT	A-E,G ,N,P, S-X	1
367	BACB30NN3K6		....BOLT	A-E,G ,N,P, S-X	1
369	BACS40R10C10F		....SHIM	A-E,G ,N,P, S-X	2
371	HL79-8		....COLLAR- (V5M902) (SPEC BACC30M8) (OPT HL79-8 (V73197)) (OPT HL79-8 (V92215)) (OPT 66014-8 (V56878)) (OPT HL79-8 (V56878))	A-E,G ,N,P, S-X	1

57-53-27

 ILLUSTRATED PARTS LIST  
 01.101 Page 1032G  
 Mar 01/05

FIG. & ITEM	PART NO.	AIRLINE PART NUMBER	NOMENCLATURE 1234567	EFF CODE	QTY PER ASSY
01-373	HL79-6		....COLLAR- (V5M902) (SPEC BACC30M6) (OPT HL79-6 (V73197)) (OPT HL79-6 (V92215)) (OPT 66014-6 (V56878)) (OPT HL79-6 (V56878))	A-E,G ,N,P, S-X	1
381	BACR15FT6KE		....RIVET- (SIZE DETERMINE ON INST)	A-E,G ,N,P, S-X	9
383	113T2321-1		....SHIM	A-E,G ,N,P, S-X	1
385	113T2104-4		-----*----- .....BUSHING	A-E,G ,N,P, S-X	1
387	113T2104-6		.....BUSHING	A-E,G ,N,P, S-X	1
389	113T2104-2		.....BUSHING	A-E,G ,N,P, S-X	1
391	BACB28AP09P038		.....BUSHING	A-E,G ,N,P, S-X	1
393	113T2275-3		.....FITTING- (USED ON ITEM 357)	A,B,E ,N,S, U,W	1
-394	113T2275-9		.....FITTING- (USED ON ITEM 358)	A,B,E ,N,S, U,W	1

57-53-27

 ILLUSTRATED PARTS LIST  
 01.101 Page 1032H  
 Mar 01/05

**BOEING**  
 COMPONENT  
 MAINTENANCE MANUAL

FIG. & ITEM	PART NO.	AIRLINE PART NUMBER	NOMENCLATURE 1234567	EFF CODE	QTY PER ASSY
01-395	113T2275-4		.....FITTING- (USED ON ITEM 359)	C,D,G ,P,T, V,X	1
-396	113T2275-10		.....FITTING- (USED ON ITEM 360)	C,D,G ,P,T, V,X	1
397	HL11VAZ6-3		....BOLT- (V60516) (SPEC BACB30NW6K3) (OPT B30NW6K3 (V97928)) (OPT HL11VAZ6-3 (V73197)) (OPT HL11VAZ6-3 (V92215)) (OPT HL11VAZ6-3 (V97928)) (OPT L803-6K3 (V06725)) (OPT HL11VAZ6-3 (V0PTK6)) (OPT HL11VAZ6-3 (V56878))	A-E,G ,N,P, S-X	2
399	HL11VAZ8-9		....BOLT- (V56878) (SPEC BACB30NW8K9) (OPT B30NW8K9 (V97928)) (OPT HL11VAZ8-9 (V73197)) (OPT HL11VAZ8-9 (V92215)) (OPT HL11VAZ8-9 (V97928)) (OPT L803-8K9 (V06725)) (OPT HL11VAZ8-9 (V0PTK6)) (OPT HL11VAZ8-9 (V60516))	A-E,G ,N,P, S-X	1

**57-53-27**

ILLUSTRATED PARTS LIST  
 01.101 Page 1032I  
 Mar 01/05

FIG. & ITEM	PART NO.	AIRLINE PART NUMBER	NOMENCLATURE 1234567	EFF CODE	QTY PER ASSY
01-401	BACB30NN3K6		....BOLT	A-E,G ,N,P, S-X	7
403	BACB30NN4K9		....BOLT	A-E,G ,N,P, S-X	1
405	BACR15CE6KE		....RIVET- (SIZE DETERMINE ON INST)	A-E,G ,N,P, S-X	8
406	BACR15FT6KE		....RIVET- (SIZE DETERMINE ON INST)	A-E,G ,N,P, S-X	7
407	K29913-104		....WASHER- (V15653) (SPEC BACW10CA104CC) (OPT 70191-104 (V56878)) (OPT 922008-4 (V60119)) (OPT 942008-4 (V60119))	A-E,G ,N,P, S-X	1
409	K29646-104		....WASHER- (V15653) (SPEC BACW10CA104CV) (OPT 70188-104 (V56878)) (OPT 922007-4 (V60119)) (OPT 942007-4 (V60119))	A-E,G ,N,P, S-X	1

57-53-27

 ILLUSTRATED PARTS LIST  
 01.101 Page 1032J  
 Mar 01/05

**BOEING**  
 COMPONENT  
 MAINTENANCE MANUAL

FIG. & ITEM	PART NO.	AIRLINE PART NUMBER	NOMENCLATURE 1234567	EFF CODE	QTY PER ASSY
01-411	BACS40R10B100F		....SHIM	A-E,G ,N,P, S-X	1
413	BACS40R10C100F		....SHIM	A-E,G ,N,P, S-X	1
415	BACS40R30D10F		....SHIM	A-E,G ,N,P, S-X	1
417	HL79-6		....COLLAR- (V5M902) (SPEC BACC30M6) (OPT HL79-6 (V73197)) (OPT HL79-6 (V92215)) (OPT 66014-6 (V56878)) (OPT HL79-6 (V56878))	A-E,G ,N,P, S-X	2
419	HL79-8		....COLLAR- (V5M902) (SPEC BACC30M8) (OPT HL79-8 (V73197)) (OPT HL79-8 (V92215)) (OPT 66014-8 (V56878)) (OPT HL79-8 (V56878))	A-E,G ,N,P, S-X	1

**57-53-27**

ILLUSTRATED PARTS LIST  
 01.101 Page 1032K  
 Mar 01/05

FIG. & ITEM	PART NO.	AIRLINE PART NUMBER	NOMENCLATURE 1234567	EFF CODE	QTY PER ASSY
01-421	NS103194-02-3		....NUTPLATE- (V80539) (SPEC BACN10KE3E3) (OPT F51752-3-3 (V15653)) (OPT RMF9216-3-3 (V72962)) (OPT BRFR120A3-3 (V52828))	A-E,G ,N,P, S-X	2
422	NS103191-02-2		....NUTPLATE- (V80539) (SPEC BACN10KE3B2) (OPT F51750-3-2 (V15653)) (OPT RMF9213-2-3 (V72962)) (OPT BRFR220A3-2 (V52825))	A-E,G ,N,P, S-X	1
423	NS103191-02-3		....NUTPLATE- (V80539) (SPEC BACN10KE3B3) (OPT F51750-3-3 (V15653)) (OPT RMF9213-3-3 (V72962)) (OPT BRFR220A3-3 (V52828))	A-E,G ,N,P, S-X	5
425	BACN10JQ42		....NUTPLATE	A-E,G ,N,P, S-X	2
427	BACR15BA3AD		ATTACHING PARTS ....RIVET- (SIZE DETERMINE ON INST)	A-E,G ,N,P, S-X	20
429	113T2273-1		-----*----- ..SUPPORT ASSY-BELCRK	A-D	1
-429A	113T2273-7		..SUPPORT ASSY-BELCRK	E,G,N ,P, S-X	1
-429B	113T2273-11		DELETED		

57-53-27

 ILLUSTRATED PARTS LIST  
 01.101 Page 1032L  
 Mar 01/05


**BOEING**  
 COMPONENT  
 MAINTENANCE MANUAL

FIG. & ITEM	PART NO.	AIRLINE PART NUMBER	NOMENCLATURE 1234567	EFF CODE	QTY PER ASSY
01-					
431	113T2273-2		..SUPPORT ASSY-BELCRK	A-D	1
-431A	113T2273-8		..SUPPORT ASSY-BELCRK	E,G,N ,P, S-X	1
-431B	113T2273-12		DELETED ATTACHING PARTS		
433	BACB30NM4K10		..BOLT	A-E,G ,N,P, S-X	8
435	AN960PD416		..WASHER	A-D	8
-435A	AN960JD416		..WASHER	E,G,N ,P, S-X	8
437	NAS1804-4		..NUT	A-E,G ,N,P, S-X	8
			-----*-----		
439	113T2104-7		...BUSHING	A-E,G ,N,P, S-X	1
440	113T2104-7		...BUSHING- (USED ON ITEMS 429, 429A)	A-E,G ,N,P, S-X	1
-440G	113T2104-25		...BUSHING- (USED ON ITEMS 431, 431A)	A-E,G ,N,P, S-X	1
441	BACB28AP10P018		...BUSHING	A-E,G ,N,P, S-X	2
443	113T2273-3		...SUPPORT- (USED ON ITEM 429)	A-D	1
-443A	113T2273-9		...SUPPORT- (USED ON ITEM 429A)	E,G,N ,P, S-X	1
445	113T2273-4		...SUPPORT- (USED ON ITEM 431)	A-D	1
-445A	113T2273-10		...SUPPORT- (USED ON ITEM 431A)	E,G,N ,P, S-X	1
447	113T2274-1		..FITTING ASSY-TRACK SPRT (USED ON ITEMS 6, 6B)	A,B	1
-448	113T2274-9		..FITTING ASSY-TRACK SPRT (USED ON ITEMS 6A, 6C, 6D, 6E, 6Q, 6R, 6S, 6T, 6U, 6V)	A,B,E ,N,S, U,W	1

57-53-27

 ILLUSTRATED PARTS LIST  
 01.101 Page 1032M  
 Mar 01/05

FIG. & ITEM	PART NO.	AIRLINE PART NUMBER	NOMENCLATURE 1234567	EFF CODE	QTY PER ASSY
01-449	113T2274-2		..FITTING ASSY-TRACK SPRT (USED ON ITEMS 7A, 7C)	C,D	1
-450	113T2274-10		..FITTING ASSY-TRACK SPRT (USED ON ITEMS 7B, 7D, 7E, 7F, 7K, 7L, 7M, 7N, 7P, 7Q)	C,D,G P,T, V,X	1
451	BACR15CE6AD		ATTACHING PARTS ..RIVET- (SIZE DETERMINE ON INST)	A-E,G N,P, S-X	4
453	HL11VAZ6-6		..BOLT- (V60516) (SPEC BACB30NW6K6) (OPT B30NW6K6 (V97928)) (OPT HL11VAZ6-6 (V73197)) (OPT HL11VAZ6-6 (V92215)) (OPT HL11VAZ6-6 (V97928)) (OPT L803-6K6 (V06725)) (OPT HL11VAZ6-6 (VOPTK6)) (OPT HL11VAZ6-6 (V56878))	A-E,G N,P, S-X	2
455	L8006K6		..BOLT- (V06725) (SPEC BACB30MY6K6) (OPT HL10VAZ6-6 (VOPTK6))	A-E,G N,P, S-X	10

**57-53-27**

 ILLUSTRATED PARTS LIST  
 01.101 Page 1032N  
 Mar 01/05



**BOEING**  
 COMPONENT  
 MAINTENANCE MANUAL

FIG. & ITEM	PART NO.	AIRLINE PART NUMBER	NOMENCLATURE 1234567	EFF CODE	QTY PER ASSY
01-457	HL11VAZ6-7		..BOLT- (V60516) (SPEC BACB30NW6K7) (OPT HL11V6-7 (V92215)) (OPT HL11V6-7 (V97928)) (OPT L803-6-7 (V06725)) (OPT B30NW6K7 (V97928)) (OPT HL11VAZ6-7 (V73197)) (OPT HL11VAZ6-7 (V92215)) (OPT HL11VAZ6-7 (V56878))	A-E,G ,N,P, S-X	2
459	BACS40R24C20F		..SHIM	A-E,G ,N,P, S-X	1
461	BACS40R10C22F		..SHIM	A-E,G ,N,P, S-X	2
463	HL79-6		..COLLAR- (V5M902) (SPEC BACC30M6) (OPT HL79-6 (V73197)) (OPT HL79-6 (V92215)) (OPT 66014-6 (V56878)) (OPT HL79-6 (V56878)) -----*	A-E,G ,N,P, S-X	14

**57-53-27**

ILLUSTRATED PARTS LIST  
 01.101 Page 10320  
 Mar 01/05

FIG. & ITEM	PART NO.	AIRLINE PART NUMBER	NOMENCLATURE 1234567	EFF CODE	QTY PER ASSY
01-465	113T2104-2		...BUSHING	A-E,G ,N,P, S-X	1
467	113T2104-4		...BUSHING	A-E,G ,N,P, S-X	1
469	113T2104-6		...BUSHING	A-E,G ,N,P, S-X	1
471	BACB28AP09P038		...BUSHING	A-E,G ,N,P, S-X	1
473	113T2274-3		...FITTING- (USED ON ITEM 447)	A,B	1
-474	113T2274-7		...FITTING- (USED ON ITEM 448)	A,B,E ,N,S, U,W	1
-475	113T2274-4		...FITTING- (USED ON ITEM 449)	C,D	1
-476	113T2274-8		...FITTING- (USED ON ITEM 450)	C,D,G ,P,T, V,X	1
477	113T2224-1		..SPAR INSTL-REAR	A,B	1
-477A	113T2224-21		..SPAR INSTL-REAR (FOR DETAILS SEE FIG. 4)	E	1
-477B	113T2224-23		DELETED		
-477C	113T2224-25		..SPAR INSTL-REAR (FOR DETAILS SEE FIG. 4)	N,S,U ,W	1
-479	113T2224-2		..SPAR INSTL-REAR	C,D	1
-479A	113T2224-22		..SPAR INSTL-REAR (FOR DETAILS SEE FIG. 4)	G	1
-479B	113T2224-24		DELETED		
-479C	113T2224-26		..SPAR INSTL-REAR (FOR DETAILS SEE FIG. 4)	P,T,V ,X	1

# 57-53-27

 ILLUSTRATED PARTS LIST  
 01.101 Page 1032P  
 Mar 01/05


**BOEING**  
 COMPONENT  
 MAINTENANCE MANUAL

FIG. & ITEM	PART NO.	AIRLINE PART NUMBER	NOMENCLATURE 1234567	EFF CODE	QTY PER ASSY
01- -480	113T2224-5001		...SPAR INSTL-REAR (REPLD BY ITEM 480A) (FOR DETAILS SEE FIG. 4)	A,B	1
-480A	113T2224-5003		...SPAR INSTL-REAR (REPLS ITEM 480) (FOR DETAILS SEE FIG. 4)	A,B	1
-480G	113T2224-5002		...SPAR INSTL-REAR (REPLD BY ITEM 480H) (FOR DETAILS SEE FIG. 4)	C,D	1
-480H	113T2224-5004		...SPAR INSTL-REAR (REPLS ITEM 480G) (FOR DETAILS SEE FIG. 4)	C,D	1
481	113T2277-1		DELETED		
-483	113T2277-2		DELETED		
485	113T2277-3		DELETED		
-487	113T2277-4		DELETED		
			ATTACHING PARTS		
489	BACB30NW6K6		DELETED		
491	BACB30MY8K5		DELETED		
493	BACB30NN4K9		DELETED		
495	BACS40R10C40F		DELETED		
497	BACC30M6		DELETED		
499	BACC30M8		DELETED		
505	113T2258-3		DELETED		
-507	113T2258-4		DELETED		
509	BACB30NN4K9		DELETED		
511	BACB30MY8K7		DELETED		
513	BACB30MY10K7		DELETED		
515	BACB30MY10K8		DELETED		
517	BACS40R23C16F		DELETED		
519	BACS40R12C16F		DELETED		
521	BACC30M8		DELETED		
523	BACC30M10		DELETED		
525	113T2257-1		DELETED		
-527	113T2257-2		DELETED		
529	BACB30NW8K6		DELETED		
530	BACB30NN4K9		DELETED		
530G	BACR15BA3AD		DELETED		
530J	BACN10JQ44		DELETED		
531	BACB30MY8K6		DELETED		
533	BACB30MY8K4		DELETED		
535	BACB30MY10K7		DELETED		
537	BACS40R18C16F		DELETED		

57-53-27

 ILLUSTRATED PARTS LIST  
 01.101 Page 1032Q  
 Mar 01/05

FIG. & ITEM	PART NO.	AIRLINE PART NUMBER	NOMENCLATURE 1234567	EFF CODE	QTY PER ASSY
01-					
539	BACC30M8		DELETED		
541	BACC30M10		DELETED		
543	113T2263-3		DELETED		
-545	113T2263-4		DELETED		
547	BACB30NW6K6		DELETED		
549	BACC30M6		DELETED		
551	113T2289-1		DELETED		
-553	113T2289-2		DELETED		
555	BACB30NR4K5		DELETED		
557	BACB30NR4K6		DELETED		
558	113T2289-3		DELETED		
559	BACW10BP4CD		DELETED		
560	BACW10BP4DP		DELETED		
561	BACN10JC4		DELETED		
563	113T2259-4		DELETED		
-565	113T2259-3		DELETED		
567	BACB30NN4K9		DELETED		
569	BACB30MY6K5		DELETED		
571	BACB30MY6K6		DELETED		
573	BACB30NW6K6		DELETED		
575	BACR15FT6KE		DELETED		
577	BACS40R10C16F		DELETED		
579	BACC30M6		DELETED		
589	113T2263-6		DELETED		
-591	113T2263-5		DELETED		
593	BACB30MY6K6		DELETED		
595	BACB30NW6K6		DELETED		
597	BACC30M6		DELETED		
599	113T2259-2		DELETED		
601	BACB30NN4K9		DELETED		
603	BACB30MY8K4		DELETED		
605	BACB30MY6K5		DELETED		
607	BACR15FT6D		DELETED		
607A	BACR15FT6KE		DELETED		
609	BACC30M8		DELETED		
611	BACC30M6		DELETED		
613	NAS1399MW6-4		DELETED		
617	BACB30NW6K6		DELETED		
619	BACB30NW6K5		DELETED		
621	BACB30NW6K7		DELETED		
623	BACB30NW6K4		DELETED		
625	BACB30NN3K6		DELETED		
627	BACB30MY6K3		DELETED		
629	BACB30MY6K4		DELETED		
631	BACB30MY6K5		DELETED		

# 57-53-27

 ILLUSTRATED PARTS LIST  
 01.101 Page 1032R  
 Mar 01/05

 **BOEING**  
 COMPONENT  
 MAINTENANCE MANUAL

FIG. & ITEM	PART NO.	AIRLINE PART NUMBER	NOMENCLATURE 1234567	EFF CODE	QTY PER ASSY
01-					
632	BACB30MY6K6		DELETED		
632G	BACS40R08D27F		DELETED		
633	BACR15CE6AD		DELETED		
635	BACR15BA6AD		DELETED		
637	BACR15FT6D		DELETED		
637A	BACR15FT6KE		DELETED		
639	BACR15FT6AD		DELETED		
641	BACR15CE6KE		DELETED		
643	BACC30M6		DELETED		
644	BACN10JQ44		DELETED		
645	BACN10KE3B2		DELETED		
646	BACN10JQ32		DELETED		
647	BACN10KE3B3		DELETED		
649	BACN10KE3E3		DELETED		
651	BACR15BA3AD		DELETED		
653	113T2224-6		DELETED		
655	113T2224-5		DELETED		
657	113T2225-1		DELETED		
-657A	113T2225-5		DELETED		
-659	113T2225-2		DELETED		
-659A	113T2225-6		DELETED		
661	113T2225-3		DELETED		
-663	113T2225-4		DELETED		
-664	113T2260-1		..PANEL INSTL-COVE UPR (USED ON ITEMS 6, 6A, 6B, 6D, 6E)	A,B	1
-664A	113T2260-5		..PANEL INSTL-COVE UPR (USED ON ITEM 6C)	A,B	1
-664B	113T2260-9		..PANEL INSTL-COVE UPR (USED ON ITEM 6U)	E,N,S ,U,W	1
-664C	113T2260-11		DELETED		
-664D	113T2260-17		..PANEL INSTL-COVE UPR (USED ON ITEM 6V)	U,W	1

**57-53-27**

ILLUSTRATED PARTS LIST  
 01.101 Page 1032S  
 Mar 01/05

FIG. & ITEM	PART NO.	AIRLINE PART NUMBER	NOMENCLATURE 1234567	EFF CODE	QTY PER ASSY
01- -665	113T2260-2		..PANEL INSTL-COVE UPR (USED ON ITEMS 7A, 7B, 7C, 7E, 7F)	C,D	1
-665A	113T2260-6		..PANEL INSTL-COVE UPR (USED ON ITEM 7D)	C,D	1
-665B	113T2260-10		..PANEL INSTL-COVE UPR (USED ON ITEM 7P)	G,P,T ,V,X	1
-665C	113T2260-12		DELETED		
-665D	113T2260-18		..PANEL INSTL-COVE UPR (USED ON ITEM 7Q)	V,X	1
666	113T2261-25		...PANEL ASSY-COVE UPR (USED ON ITEM 664)	A,B	1
-666A	113T2261-59		...PANEL ASSY-COVE UPR (USED ON ITEM 664A) (PRE SB 767-57-0062)	A,B	1
-666B	113T2261-69		...PANEL ASSY-COVE UPR (USED ON ITEM 664B) (PRE SB 767-57-0062)	E,N,S ,U,W	1
-666C	113T2261-77		DELETED		
-666D	113T2261-97		...PANEL ASSY-COVE UPR (USED ON ITEM 664D)	U,W	1
-666E	113T2261-95		...PANEL ASSY-COVE UPR (USED ON ITEMS 664A, 664B) (POST SB 767-57-0062)	A,B,E ,N,S, U,W	1
-667	113T2261-26		...PANEL ASSY-COVE UPR (USED ON ITEM 665)	C,D	1
-667A	113T2261-60		...PANEL ASSY-COVE UPR (USED ON ITEM 665A) (PRE SB 767-57-0062)	C,D	1
-667B	113T2261-70		...PANEL ASSY-COVE UPR (USED ON ITEM 665B) (PRE SB 767-57-0062)	G,P,T ,V,X	1
-667C	113T2261-78		DELETED		

# 57-53-27

 ILLUSTRATED PARTS LIST  
 01.101 Page 1032T  
 Mar 01/05


**BOEING**  
 COMPONENT  
 MAINTENANCE MANUAL

FIG. & ITEM	PART NO.	AIRLINE PART NUMBER	NOMENCLATURE 1234567	EFF CODE	QTY PER ASSY
01- -667D	113T2261-98		...PANEL ASSY-COVE UPR (USED ON ITEM 665D)	V,X	1
-667E	113T2261-96		...PANEL ASSY-COVE UPR (USED ON ITEMS 665A, 665B) (POST SB 767-57-0062)	C,D,G ,P,T, V,X	1
668	113T2261-27		DELETED		
668A	113T2261-31		....PHENOLIC STRIP	A-E,G ,N,P, S-X	1
-669	113T2261-28		DELETED		
669A	113T2261-32		....PHENOLIC STRIP	A-E,G ,N,P, S-X	1
670	113T2261-36		DELETED		
670A	113T2261-33		....PHENOLIC STRIP	A-E,G	1
671	113T2261-31		DELETED		
671A	113T2261-27		....BOND ASSY-PNL (USED ON ITEM 666)	A,B	1
-671B	113T2261-61		....BOND ASSY-PNL (USED ON ITEM 666A)	A,B	1
-671C	113T2261-71		....BOND ASSY-PNL	E,N,S ,U,W	1
-671D	113T2261-79		DELETED		
672	113T2261-32		DELETED		
-672A	113T2261-28		....BOND ASSY-PNL (USED ON ITEM 667)	C,D	1
-672B	113T2261-62		....BOND ASSY-PNL (USED ON ITEM 667A)	C,D	1
-672C	113T2261-72		....BOND ASSY-PNL	G,P,T ,V,X	1
-672D	113T2261-80		DELETED		

57-53-27

 ILLUSTRATED PARTS LIST  
 01.101 Page 1032U  
 Mar 01/05

FIG. & ITEM	PART NO.	AIRLINE PART NUMBER	NOMENCLATURE 1234567	EFF CODE	QTY PER ASSY
01-673	113T2261-33		DELETED		
673A	113T2261-36		.....WASHER	A-E,G ,N,P, S-X	12
674	113T2264-1		...STRUT	A-E,G ,N,P, S-X	1
675	113T2264-3		...STRUT	A-E,G ,N,P, S-X	1
676	BACB30NR4K8		...BOLT	A-E,G ,N,P, S-X	2
677	AN96OPD416		...WASHER	A-E,G ,N,P, S-X	4
678	BRH10A4		...NUT- (V52828) (SPEC BACN10JC4) (OPT T6S428J (V11815)) (OPT 96-048 (V80539)) (OPT VN303A048 (V92215)) (OPT RMLH9075-4W (V72962)) (OPT NS202101-048 (V80539)) (OPT H10-4BAC (V15653))	A-E,G ,N,P, S-X	2
679	BACS40R08C08F		...SHIM	A-E,G ,N,P, S-X	2
680	113T2264-3		-----*----- ...STRUT	A-E,G ,N,P, S-X	10
			ATTACHING PARTS		

57-53-27

 ILLUSTRATED PARTS LIST  
 01.101 Page 1032V  
 Mar 01/05




**BOEING**  
 COMPONENT  
 MAINTENANCE MANUAL

FIG. & ITEM	PART NO.	AIRLINE PART NUMBER	NOMENCLATURE 1234567	EFF CODE	QTY PER ASSY
01-681	BACB30NR4K6		...BOLT	A-E,G ,N,P, S-X	10
682	AN960PD416		...WASHER	A-E,G ,N,P, S-X	20
683	BRH10A4		...NUT- (V52828) (SPEC BACN10JC4) (OPT T6S428J (V11815)) (OPT 96-048 (V80539)) (OPT VN303A048 (V92215)) (OPT RMLH9075-4W (V72962)) (OPT NS202101-048 (V80539)) (OPT H10-4BAC (V15653)) -----*	A-E,G ,N,P, S-X	10
684	BACB30NN4K16		...BOLT	A-E,G ,N,P, S-X	12
685	AN960PD416		...WASHER	A-E,G ,N,P, S-X	12
686	BRH10A4		...NUT- (V52828) (SPEC BACN10JC4) (OPT T6S428J (V11815)) (OPT 96-048 (V80539)) (OPT VN303A048 (V92215)) (OPT RMLH9075-4W (V72962)) (OPT NS202101-048 (V80539)) (OPT H10-4BAC (V15653))	A-E,G ,N,P, S-X	12

57-53-27

 ILLUSTRATED PARTS LIST  
 01.101 Page 1032W  
 Mar 01/05

FIG. & ITEM	PART NO.	AIRLINE PART NUMBER	NOMENCLATURE 1234567	EFF CODE	QTY PER ASSY
01-687	BACS40R10C10F		...SHIM	A-E,G ,N,P, S-X	12
-688	113T2260-3		..PANEL INSTL-COVE LWR (USED ON ITEMS 6, 6A, 6B, 6D)	A,B	1
-689	113T2260-4		..PANEL INSTL-COVE LWR (USED ON ITEMS 7A, 7B, 7C, 7E)	C,D	1
690	113T2261-1		...PANEL ASSY-COVE OUTBD LH	A,B	1
-691	113T2261-2		...PANEL ASSY-COVE OUTBD RH	C,D	1
-691G	113T2261-5003		....PANEL ASSY- (REPLD BY ITEM 691H)	A,B	1
-691H	113T2261-5001		....PANEL ASSY- (REPLS ITEM 691G)	A,B	1
-691L	113T2261-5004		....PANEL ASSY- (REPLD BY ITEM 691M)	C,D	1
-691M	113T2261-5002		....PANEL ASSY- (REPLS ITEM 691L)	C,D	1
692	BACB30NN3K5		DELETED		
692A	BACB30NN3K6		.....BOLT	A-D	76
692G	113T2261-39		.....RETAINER-SEAL (OPT ITEM 692H) (USED ON ITEM 691G)	A,B	1
-692H	113T2261-55		.....RETAINER-SEAL (OPT ITEM 692G) (USED ON ITEM 691G)	A,B	1
-692J	113T2261-39		.....RETAINER-SEAL (USED ON ITEM 691H)	A,B	1
-692L	113T2261-40		.....RETAINER-SEAL (OPT ITEM 692M) (USED ON ITEM 691L)	C,D	1
-692M	113T2261-56		.....RETAINER-SEAL (OPT ITEM 692L) (USED ON ITEM 691L)	C,D	1
-692N	113T2261-40		.....RETAINER-SEAL (USED ON ITEM 691M)	C,D	1

57-53-27

 ILLUSTRATED PARTS LIST  
 01.101 Page 1032X  
 Mar 01/05

**BOEING**  
 COMPONENT  
 MAINTENANCE MANUAL

FIG. & ITEM	PART NO.	AIRLINE PART NUMBER	NOMENCLATURE 1234567	EFF CODE	QTY PER ASSY
01-					
693	113T2261-19		.....RETAINER-SEAL	A-D	2
694	113T2261-11		.....RETAINER-SEAL	A,B	1
-695	113T2261-12		.....RETAINER-SEAL	C,D	1
696	113T2261-13		.....RETAINER ASSY-NUTPLATE	A-D	1
697	F5000-3BAC		.....NUTPLATE- (V15653) (SPEC BACN10JR3F) (OPT NS103203-02 (V80539)) (OPT RMF9201-3 (V72962)) (OPT T8091S1032 (V11815)) (OPT VN152A1-02 (V92215)) (OPT BRF200A3 (V52828)) ATTACHING PARTS	A-D	14
698	BACR15CE3AD		.....RIVET- (SIZE DETERMINE ON INST) -----*-----	A-D	28
699	113T2261-21		.....STRAP	A-D	1
700	113T2261-20		.....RETAINER ASSY-NUTPLATE	A-D	2
701	F5000-3BAC		.....NUTPLATE- (V15653) (SPEC BACN10JR3F) (OPT NS103203-02 (V80539)) (OPT RMF9201-3 (V72962)) (OPT T8091S1032 (V11815)) (OPT VN152A1-02 (V92215)) (OPT BRF200A3 (V52828)) ATTACHING PARTS	A-D	31

**57-53-27**

ILLUSTRATED PARTS LIST  
 01.101 Page 1032Y  
 Mar 01/05

FIG. & ITEM	PART NO.	AIRLINE PART NUMBER	NOMENCLATURE 1234567	EFF CODE	QTY PER ASSY
01-703	BACR15CE3AD		.....RIVET- (SIZE DETERMINE ON INST) -----*-----	A-D	62
704	113T2261-23		.....STRAP	A-D	1
707G	113T2261-45		.....SEAL- (MFD FROM EXTRUSION RUBBER F25.01 10-60754-130 24.30 IN)	A-D	1
707J	113T2261-49		.....SEAL- (MFD FROM EXTRUSION RUBBER F25.01 10-60754-83 8.00 IN)	A-D	2
707L	113T2261-46		.....SEAL- (MFD FROM EXTRUSION RUBBER F25.01 10-60754-130 65.00 IN)	A-D	1
707N	113T2261-47		.....SEAL- (MFD FROM EXTRUSION RUBBER F25.01 10-60754-130 11.20 IN)	A,B	1
-707Q	113T2261-48		.....SEAL- (MFD FROM EXTRUSION RUBBER F25.01 10-60754-130 11.00 IN)	C,D	1
708	113T2261-5		.....PANEL-BOND ASSY	A,B	1
-708B	113T2261-6		.....PANEL-BOND ASSY	C,D	1
-708D	113T2260-7		..PANEL INSTL-COVE LWR (USED ON ITEMS 6C, 6E, 6F, 6P, 6Q, 6R, 6S, 6T)	A,B,E ,N,S, U,W	1

57-53-27

 ILLUSTRATED PARTS LIST  
 01.101 Page 1032Z  
 Mar 01/05


**BOEING**  
 COMPONENT  
 MAINTENANCE MANUAL

FIG. & ITEM	PART NO.	AIRLINE PART NUMBER	NOMENCLATURE 1234567	EFF CODE	QTY PER ASSY
01- -708E	113T2260-13		..PANEL INSTL-COVE LWR (USED ON ITEM 6U)	U,W	1
-708F	113T2260-8		..PANEL INSTL-COVE LWR (USED ON ITEMS 7D, 7F, 7G, 7J, 7K, 7L, 7M, 7N)	C,D,G ,P,T, V,X	1
-708G	113T2261-6		DELETED		
-708H	113T2261-63		DELETED		
-708J	113T2260-14		..PANEL INSTL-COVE LWR (USED ON ITEM 7P)	V,X	1
-708K	113T2261-64		DELETED		
-708L	113T2261-63		...PANEL ASSY-OUTBD	A,B,E ,N,S, U,W	1
-708M	113T2261-64		...PANEL ASSY-OUTBD	C,D,G ,P,T, V,X	1
708N	BACB30NN3K6		....BOLT	A-E,G ,N,P, S-X	42
708Q	BACB30NN3K4		....BOLT	A-E,G ,N,P, S-X	34
708S	AN960-10L		....WASHER	A-E,G ,N,P, S-X	34
708U	H10-3BAC		....NUT- (V15653) (SPEC BACN10JC3) (OPT NS202101-02 (V80539)) (OPT RMLH9075-3W (V72962)) (OPT T6S1032J (V71087)) (OPT VN303A02 (V92215)) (OPT 96-02 (V80539)) (OPT BRH10A3 (V52828))	A-E,G ,N,P, S-X	34

57-53-27

 ILLUSTRATED PARTS LIST  
 01.101 Page 1033  
 Mar 01/05

FIG. & ITEM	PART NO.	AIRLINE PART NUMBER	NOMENCLATURE 1234567	EFF CODE	QTY PER ASSY
01-708W	113T2261-39		....RETAINER-SEAL	A,B,E ,N,S, U,W	1
-708X	113T2261-40		....RETAINER-SEAL	C,D,G ,P,T, V,X	1
708Y	113T2261-19		....RETAINER-SEAL	A-E,G ,N,P, S-X	2
708Z	113T2261-11		....RETAINER-SEAL	A,B,E ,N,S, U,W	1
709	113T2261-3		DELETED		
-709A	113T2261-12		....RETAINER-SEAL	C,D,G ,P,T, V,X	1
709B	113T2261-13		....RETAINER ASSY-NUTPLATE	A-E,G ,N,P, S-X	1
709C	BACR15CE3AD		.....RIVET- (SIZE DETERMINE ON INST)	A-E,G ,N,P, S-X	28
709D	F5000-3BAC		.....NUTPLATE- (V15653) (SPEC BACN10JR3F) (OPT NS103203-02 (V80539)) (OPT RMF9201-3 (V72962)) (OPT T8091S1032 (V11815)) (OPT VN152A1-02 (V92215)) (OPT BRF200A3 (V52828))	A-E,G ,N,P, S-X	14

**57-53-27**

 ILLUSTRATED PARTS LIST  
 01.101 Page 1034  
 Mar 01/05


**BOEING**  
 COMPONENT  
 MAINTENANCE MANUAL

FIG. & ITEM	PART NO.	AIRLINE PART NUMBER	NOMENCLATURE 1234567	EFF CODE	QTY PER ASSY
01-709E	113T2261-21		.....STRAP	A-E,G ,N,P, S-X	1
709F	113T2261-65		....RETAINER ASSY-NUTPLATE	A,B,E ,N,S, U,W	1
-709G	113T2261-66		....RETAINER ASSY-NUTPLATE	C,D,G ,P,T, V,X	1
709H	BACR15CE3AD		.....RIVET- (SIZE DETERMINE ON INST)	A-E,G ,N,P, S-X	54
709J	F5000-3BAC		.....NUTPLATE- (V15653) (SPEC BACN10JR3F) (OPT NS103203-02 (V80539)) (OPT RMF9201-3 (V72962)) (OPT T8091S1032 (V11815)) (OPT VN152A1-02 (V92215)) (OPT BRF200A3 (V52828))	A-E,G ,N,P, S-X	27
709K	113T2261-23		.....STRAP	A-E,G ,N,P, S-X	1
709L	113T2261-67		....RETAINER ASSY-NUTPLATE	A,B,E ,N,S, U,W	1
-709M	113T2261-68		....RETAINER ASSY-NUTPLATE	C,D,G ,P,T, V,X	1

57-53-27

 ILLUSTRATED PARTS LIST  
 01.101 Page 1034A  
 Mar 01/05

FIG. & ITEM	PART NO.	AIRLINE PART NUMBER	NOMENCLATURE 1234567	EFF CODE	QTY PER ASSY
01-709N	F5000-3BAC		.....NUTPLATE- (V15653) (SPEC BACN10JR3F) (OPT NS103203-02 (V80539)) (OPT RMF9201-3 (V72962)) (OPT T8091S1032 (V11815)) (OPT VN152A1-02 (V92215)) (OPT BRF200A3 (V52828))	A-E,G ,N,P, S-X	1
709P	BACR15CE3AD		.....RIVET- (SIZE DETERMINE ON INST)	A-E,G ,N,P, S-X	2
709Q	113T2261-23		.....STRAP	A-E,G ,N,P, S-X	1
709R	113T2261-45		....SEAL- (MFD FROM EXTRUSION RUBBER F25.01 10-60754-130 24.30 IN)	A-E,G ,N,P, S-X	1
709S	113T2261-49		....SEAL- (MFD FROM EXTRUSION RUBBER F25.01 10-60754-83 8.00 IN)	A-E,G ,N,P, S-X	2
709T	113T2261-46		....SEAL- (MFD FROM EXTR RUBBER F25.01 10-60754-130 65.00 IN)	A-E,G ,N,P, S-X	1
709U	113T2261-47		....SEAL- (MFD FROM EXTRUSION RUBBER 25.01 10-60754-130 11.20 IN)	A,B,E ,N,S, U,W	1

57-53-27

 ILLUSTRATED PARTS LIST  
 01.101 Page 1034B  
 Mar 01/05




**BOEING**  
 COMPONENT  
 MAINTENANCE MANUAL

FIG. & ITEM	PART NO.	AIRLINE PART NUMBER	NOMENCLATURE 1234567	EFF CODE	QTY PER ASSY
01- -709V	113T2261-48		....SEAL- (MFD FROM EXTRUSION RUBBER F25.01 10-60754-130 11.00 IN)	C,D,G ,P,T, V,X	1
709W	113T2261-5		....PANEL-BOND ASSY	A,B,E ,N,S, U,W	1
-709X	113T2261-6		....PANEL-BOND ASSY	C,D,G ,P,T, V,X	1
709Y	113T2261-91		....FILLER-AERODYNAMIC	A,B,E ,N,S, U,W	1
-709Z	113T2261-92		....FILLER-AERODYNAMIC	C,D,G ,P,T, V,X	1
-710 710A	113T2261-4 113T2261-3		DELETED ...PANEL ASSY-INBD	A,B,E ,N,S, U,W	1
-710C	113T2261-4		...PANEL ASSY-INBD	C,D,G ,P,T, V,X	1
710G	113T2261-5007		....PANEL ASSY- (REPLD BY ITEM 710H)	A,B,E ,N,S, U,W	1
-710H	113T2261-5005		....PANEL ASSY- (REPLS ITEM 710G)	A,B,E ,N,S, U,W	1

57-53-27

 ILLUSTRATED PARTS LIST  
 01.101 Page 1034C  
 Mar 01/05

FIG. & ITEM	PART NO.	AIRLINE PART NUMBER	NOMENCLATURE 1234567	EFF CODE	QTY PER ASSY
01- -710L	113T2261-5008		....PANEL ASSY- (REPLD BY ITEM 710M)	C,D,G ,P,T, V,X	1
-710M	113T2261-5006		....PANEL ASSY- (REPLS ITEM 710L)	C,D,G ,P,T, V,X	1
711 711A	BACB30NN3K5 BACB30NN3K6		DELETED .....BOLT	A-E,G ,N,P, S-X	46
711G	113T2261-41		.....RETAINER-SEAL (OPT ITEM 711H) (USED ON ITEM 710G)	A,B,E ,N,S, U,W	1
-711H	113T2261-57		.....RETAINER-SEAL (OPT ITEM 711G) (USED ON ITEM 710G)	A,B,E ,N,S, U,W	1
-711J	113T2261-41		.....RETAINER-SEAL (USED ON ITEM 710H)	A,B,E ,N,S, U,W	1
-711L	113T2261-42		.....RETAINER-SEAL (OPT ITEM 711M) (USED ON ITEM 710L)	C,D,G ,P,T, V,X	1
-711M	113T2261-58		.....RETAINER-SEAL (OPT ITEM 711L) (USED ON ITEM 710L)	C,D,G ,P,T, V,X	1
-711N	113T2261-42		.....RETAINER-SEAL (USED ON ITEM 710M)	C,D,G ,P,T, V,X	1
712 712A	113T2261-19 113T2261-50		DELETED .....RETAINER-SEAL	A,B,E ,N,S, U,W	1

# 57-53-27

 ILLUSTRATED PARTS LIST  
 01.101 Page 1034D  
 Mar 01/05

**BOEING**  
 COMPONENT  
 MAINTENANCE MANUAL

FIG. & ITEM	PART NO.	AIRLINE PART NUMBER	NOMENCLATURE 1234567	EFF CODE	QTY PER ASSY
01-712G	113T2261-44		.....RETAINER-SEAL	C,D,G ,P,T, V,X	1
713	113T2261-17		.....RETAINER-SEAL	A,B,E ,N,S, U,W	1
-714	113T2261-18		.....RETAINER-SEAL	C,D,G ,P,T, V,X	1
715	113T2261-14		.....RETAINER ASSY-NUTPLATE	A-E,G ,N,P, S-X	1
716	F5000-3BAC		.....NUTPLATE- (V15653) (SPEC BACN10JR3F) (OPT NS103203-02 (V80539)) (OPT RMF9201-3 (V72962)) (OPT T8091S1032 (V11815)) (OPT VN152A1-02 (V92215)) (OPT BRF200A3 (V52828)) ATTACHING PARTS	A-E,G ,N,P, S-X	16
717	BACR15CE3AD		.....RIVET- (SIZE DETERMINE ON INST)	A-E,G ,N,P, S-X	32
718	113T2261-22		-----*----- .....STRAP	A-E,G ,N,P, S-X	1

57-53-27

ILLUSTRATED PARTS LIST  
 01.101 Page 1034E  
 Mar 01/05

FIG. & ITEM	PART NO.	AIRLINE PART NUMBER	NOMENCLATURE 1234567	EFF CODE	QTY PER ASSY
01-719	113T2261-20		DELETED		
719A	113T2261-51		.....RETAINER ASSY-NUTPLATE	A-E,G ,N,P, S-X	1
720	F5000-3BAC		.....NUTPLATE- (V15653) (SPEC BACN10JR3F) (OPT NS103203-02 (V80539)) (OPT RMF9201-3 (V72962)) (OPT T8091S1032 (V11815)) (OPT VN152A1-02 (V92215)) (OPT BRF200A3 (V52828)) ATTACHING PARTS	A-E,G ,N,P, S-X	30
721	BACR15CE3AD		.....RIVET- (SIZE DETERMINE ON INST)	A-E,G ,N,P, S-X	60
			-----*-----		
722	113T2261-23		DELETED		
722A	113T2261-52		.....STRAP	A-E,G ,N,P, S-X	1
723	113T2261-15		.....SEAL-INBD (MFD FROM EXTRUSION RUBBER F25.01 10-60754-130 71.40 IN.)	A,B,E ,N,S, U,W	1

57-53-27

 ILLUSTRATED PARTS LIST  
 01.101 Page 1034F  
 Mar 01/05


**BOEING**  
 COMPONENT  
 MAINTENANCE MANUAL

FIG. & ITEM	PART NO.	AIRLINE PART NUMBER	NOMENCLATURE 1234567	EFF CODE	QTY PER ASSY
01- -724	113T2261-16		.....SEAL-INBD (MFD FROM EXTRUSION RUBBER F25.01 10-60754-130 71.60 IN.)	C,D,G ,P,T, V,X	1
725	113T2261-7		.....PANEL	A,B,E ,N,S, U,W	1
-726	113T2261-8		.....PANEL	C,D,G ,P,T, V,X	1
727A	113T2263-7		...FITTING	A-E,G ,N,P, S-X	10
728	HL11VAZ6-6		ATTACHING PARTS ...BOLT- (V60516) (SPEC BACB30NW6K6) (OPT B30NW6K6 (V97928)) (OPT HL11VAZ6-6 (V73197)) (OPT HL11VAZ6-6 (V92215)) (OPT HL11VAZ6-6 (V97928)) (OPT L803-6K6 (V06725)) (OPT HL11VAZ6-6 (V0PTK6)) (OPT HL11VAZ6-6 (V56878))	A-E,G ,N,P, S-X	20
729	HL10VAZ6-5		...BOLT- (V60516) (SPEC BACB30MY6K5) (OPT B30MY6K5 (V97928))	A-E,G ,N,P, S-X	20

57-53-27

 ILLUSTRATED PARTS LIST  
 01.101 Page 1034G  
 Mar 01/05

FIG. & ITEM	PART NO.	AIRLINE PART NUMBER	NOMENCLATURE 1234567	EFF CODE	QTY PER ASSY
01-730	HL79-6		...COLLAR- (V5M902) (SPEC BACC30M6) (OPT HL79-6 (V73197)) (OPT HL79-6 (V92215)) (OPT 66014-6 (V56878)) (OPT HL79-6 (V56878)) -----*	A-E,G ,N,P, S-X	40
730G	113T2265-2		...FILLER-TAPERED	A,B,E ,N,S, U,W	1
-731	113T2265-1		...FILLER-TAPERED	C,D,G ,P,T, V,X	1
731G	BACR15BA6AD		ATTACHING PARTS ...RIVET- (SIZE DETERMINE ON INST) -----*	A-E,G ,N,P, S-X	5
732	113T2266-1		...BRACKET- (USED ON ITEM 708D)	A,B,E ,N,S, U,W	12
-732A	113T2266-3		...BRACKET- (USED ON ITEM 708E)	U,W	12
-732G	113T2266-2		...BRACKET- (USED ON ITEM 708F)	C,D,G ,P,T, V,X	12
-732H	113T2266-4		...BRACKET- (USED ON ITEM 708J) ATTACHING PARTS	V,X	12
733	BACR15BA6AD		...RIVET- (SIZE DETERMINE ON INST)	A-E,G ,N,P, S-X	24
734 734A	BACR15BB5AD BACR15FT5KE		DELETED ...RIVET- (SIZE DETERMINE ON INST) -----*	A-E,G ,N,P, S-X	24

57-53-27

 ILLUSTRATED PARTS LIST  
 01.101 Page 1034H  
 Mar 01/05


**BOEING**  
 COMPONENT  
 MAINTENANCE MANUAL

FIG. & ITEM	PART NO.	AIRLINE PART NUMBER	NOMENCLATURE 1234567	EFF CODE	QTY PER ASSY
01- -735	113T2230-3		..RIB INSTL- (USED ON ITEM 6)	A,B	1
-735A	113T2230-7		..RIB INSTL- (USED ON ITEMS 6A, 6B, 6C, 6D, 6E, 6F, 6Q, 6R, 6S, 6T, 6U, 6V)	A,B,E ,N,S, U,W	1
-736	113T2230-4		..RIB INSTL- (USED ON ITEM 7A)	C,D	1
-736A	113T2230-8		..RIB INSTL- (USED ON ITEMS 7B, 7C, 7D, 7E, 7F, 7G, 7K, 7L, 7M, 7N, 7P, 7Q)	C,D,G ,P,T, V,X	1
737	BACB30NN3K6		...BOLT- (USED ON ITEMS 735, 736)	A-D	12
737G	BACB30NN3K6		...BOLT- (USED ON ITEMS 735A, 736A)	A-E,G ,N,P, S-X	10
738	BACB30NN4K9		...BOLT- (USED ON ITEMS 735, 736)	A-D	8
738G	BACB30NN4K9		...BOLT- (USED ON ITEMS 735A, 736A)	A-E,G ,N,P, S-X	10
738L 739	BACR15CE3M HL11VAZ6-4		DELETED ...BOLT- (V60516) (SPEC BACB30NW6K4) (OPT HL11V6-4 (V92215)) (OPT HL11V6-4 (V97928)) (OPT L803-6-4 (V06725)) (OPT B30NW6K4 (V97928)) (OPT HL11VAZ6-4 (V73197)) (OPT HL11VAZ6-4 (V92215)) (OPT HL11VAZ6-4 (V56878))	A-E,G ,N,P, S-X	14

57-53-27

 ILLUSTRATED PARTS LIST  
 01.101 Page 1034I  
 Mar 01/05

FIG. & ITEM	PART NO.	AIRLINE PART NUMBER	NOMENCLATURE 1234567	EFF CODE	QTY PER ASSY
01-740	HL11VAZ6-6		...BOLT- (V60516) (SPEC BACB30NW6K6) (OPT B30NW6K6 (V97928)) (OPT HL11VAZ6-6 (V73197)) (OPT HL11VAZ6-6 (V92215)) (OPT HL11VAZ6-6 (V97928)) (OPT L803-6K6 (V06725)) (OPT HL11VAZ6-6 (VOPTK6)) (OPT HL11VAZ6-6 (V56878))	A-E,G ,N,P, S-X	2
741	HL11VAZ8-6		...BOLT- (V60516) (SPEC BACB30NW8K6) (OPT B30NW8K6 (V97928)) (OPT HL11VAZ8-6 (V73197)) (OPT HL11VAZ8-6 (V92215)) (OPT HL11VAZ8-6 (V97928)) (OPT L803-8K6 (V06725)) (OPT HL11VAZ8-6 (VOPTK6)) (OPT HL11VAZ8-6 (V56878))	A-E,G ,N,P, S-X	5

**57-53-27**

 ILLUSTRATED PARTS LIST  
 01.101 Page 1034J  
 Mar 01/05



**BOEING**  
 COMPONENT  
 MAINTENANCE MANUAL

FIG. & ITEM	PART NO.	AIRLINE PART NUMBER	NOMENCLATURE 1234567	EFF CODE	QTY PER ASSY
01-742	HL11VAZ8-8		...BOLT- (V56878) (SPEC BACB30NW8K8) (OPT B30NW8K8 (V97928)) (OPT HL11VAZ8-8 (V73197)) (OPT HL11VAZ8-8 (V92215)) (OPT HL11VAZ8-8 (V97928)) (OPT L803-8K8 (V06725)) (OPT HL11VAZ8-8 (VOPTK6)) (OPT HL11VAZ8-8 (V60516))	A-E,G ,N,P, S-X	1
743	BACS40B19C30F		...SHIM	A-E,G ,N,P, S-X	1
744	BACS40R08C24F		...SHIM	A-E,G ,N,P, S-X	1
745	BACS40R09C22F		...SHIM	A-E,G ,N,P, S-X	1
746	BACS40R09C24F		...SHIM	A-E,G ,N,P, S-X	1

**57-53-27**

ILLUSTRATED PARTS LIST  
 01.101 Page 1034K  
 Mar 01/05

FIG. & ITEM	PART NO.	AIRLINE PART NUMBER	NOMENCLATURE 1234567	EFF CODE	QTY PER ASSY
01-747	BACS40R10C12F		...SHIM	A-E,G ,N,P, S-X	1
748	BACS40R10C22F		...SHIM	A-E,G ,N,P, S-X	1
749	HL97DU6		...COLLAR- (V73197) (SPEC BACC30AB6S) (OPT HL97DU6 (V92215)) (OPT HL97DU6 (V56878)) (USED ON ITEMS 735, 736)	A-D	16
749G	HL79-6		...COLLAR- (V5M902) (SPEC BACC30M6) (OPT HL79-6 (V73197)) (OPT HL79-6 (V92215)) (OPT 66014-6 (V56878)) (OPT HL79-6 (V56878)) (USED ON ITEMS 735A, 736A)	A-E,G ,N,P, S-X	16
750	HL97DU8		...COLLAR- (V73197) (SPEC BACC30AB8S) (OPT HL97DU8 (V92215)) (OPT HL97DU8 (V56878)) (USED ON ITEMS 735, 736)	A-D	5

# 57-53-27

 ILLUSTRATED PARTS LIST  
 01.101 Page 1034L  
 Mar 01/05


**BOEING**  
 COMPONENT  
 MAINTENANCE MANUAL

FIG. & ITEM	PART NO.	AIRLINE PART NUMBER	NOMENCLATURE 1234567	EFF CODE	QTY PER ASSY
01-751	HL79-8		...COLLAR- (V5M902) (SPEC BACC30M8) (OPT HL79-8 (V73197)) (OPT HL79-8 (V92215)) (OPT 66014-8 (V56878)) (OPT HL79-8 (V56878)) (USED ON ITEMS 735, 736)	A-D	1
751G	HL79-8		...COLLAR- (V5M902) (SPEC BACC30M8) (OPT HL79-8 (V73197)) (OPT HL79-8 (V92215)) (OPT 66014-8 (V56878)) (OPT HL79-8 (V56878)) (USED ON ITEMS 735A, 736A)	A-E,G ,N,P, S-X	6
752	BACN10JQ42		...NUTPLATE	A-E,G ,N,P, S-X	1
753	BACN10JQ44CM		...NUTPLATE- (USED ON ITEMS 735, 736)	A-D	7

57-53-27

 ILLUSTRATED PARTS LIST  
 01.101 Page 1034M  
 Mar 01/05

FIG. & ITEM	PART NO.	AIRLINE PART NUMBER	NOMENCLATURE 1234567	EFF CODE	QTY PER ASSY
01-753G	BACN10JQ44		...NUTPLATE- (OPT BRFM22A4-4 (V52828)) (OPT MF19058-4-4BAC (V15653)) (OPT MT8260S428S4 (V11815)) (OPT NS103201-048-4 (V80539)) (OPT RMF9206M4-4 (V22599)) (OPT RMF9206M4-4 (V72962)) (OPT VN253A048-4 (V92215)) (USED ON ITEMS 735A, 736A) (USED ON ITEM 735A) (USED ON ITEM 736A)	A-E,G ,N,P, S-X	9
754	NS103191SE02-3		...NUTPLATE- (V80539) (SPEC BACN10KE3B3CM) (OPT F51747-3-3DL (V15653)) (OPT BRFR220C3-3M (V52828)) (OPT 104F9213-3-3 (V72962)) (USED ON ITEMS 735, 736)	A-D	12
754G	NS103191-02-3		...NUTPLATE- (V80539) (SPEC BACN10KE3B3) (OPT F51750-3-3 (V15653)) (OPT RMF9213-3-3 (V72962)) (OPT BRFR220A3-3 (V52828)) (USED ON ITEMS 735A, 736A) ATTACHING PARTS	A-E,G ,N,P, S-X	10

**57-53-27**

 ILLUSTRATED PARTS LIST  
 01.101 Page 1034N  
 Mar 01/05


**BOEING**  
 COMPONENT  
 MAINTENANCE MANUAL

FIG. & ITEM	PART NO.	AIRLINE PART NUMBER	NOMENCLATURE 1234567	EFF CODE	QTY PER ASSY
01-755	BACR15CE3M		...RIVET- (SIZE DETERMINE ON INST)  -----*-----	A-E,G ,N,P, S-X	40
-757	113T2348-3		..RIB INSTL	A,B	1
-757A	113T2348-7		..RIB INSTL	E,N,S ,U,W	1
-759	113T2348-4		..RIB INSTL	C,D	1
-759A	113T2348-8		..RIB INSTL	G,P,T ,V,X	1
761	113T2239-1		...RIB-INTERMEDIATE	A,B,E ,N,S, U,W	1
-763	113T2239-2		...RIB-INTERMEDIATE	C,D,G ,P,T, V,X	1
765	HL11VAZ8-8		ATTACHING PARTS ...BOLT- (V56878) (SPEC BACB30NW8K8) (OPT B30NW8K8 (V97928)) (OPT HL11VAZ8-8 (V73197)) (OPT HL11VAZ8-8 (V92215)) (OPT HL11VAZ8-8 (V97928)) (OPT L803-8K8 (V06725)) (OPT HL11VAZ8-8 (V0PTK6)) (OPT HL11VAZ8-8 (V60516))	A-E,G ,N,P, S-X	2

57-53-27

 ILLUSTRATED PARTS LIST  
 01.101 Page 10340  
 Mar 01/05

FIG. & ITEM	PART NO.	AIRLINE PART NUMBER	NOMENCLATURE 1234567	EFF CODE	QTY PER ASSY
01- 766 -766A 767	BACB30NW8K8 BACB30NY8K8 HL11VAZ6-6		DELETED DELETED ...BOLT- (V60516) (SPEC BACB30NW6K6) (OPT B30NW6K6 (V97928)) (OPT HL11VAZ6-6 (V73197)) (OPT HL11VAZ6-6 (V92215)) (OPT HL11VAZ6-6 (V97928)) (OPT L803-6K6 (V06725)) (OPT HL11VAZ6-6 (V0PTK6)) (OPT HL11VAZ6-6 (V56878))	A-E,G ,N,P, S-X	1
769	HL11VAZ6-4		...BOLT- (V60516) (SPEC BACB30NW6K4) (OPT HL11V6-4 (V92215)) (OPT HL11V6-4 (V97928)) (OPT L803-6-4 (V06725)) (OPT B30NW6K4 (V97928)) (OPT HL11VAZ6-4 (V73197)) (OPT HL11VAZ6-4 (V92215)) (OPT HL11VAZ6-4 (V56878))	A-E,G ,N,P, S-X	2

57-53-27

 ILLUSTRATED PARTS LIST  
 01.101 Page 1034P  
 Mar 01/05


**BOEING**  
 COMPONENT  
 MAINTENANCE MANUAL

FIG. & ITEM	PART NO.	AIRLINE PART NUMBER	NOMENCLATURE 1234567	EFF CODE	QTY PER ASSY
01-771	BACB30NN4K9		...BOLT	A-E,G ,N,P, S-X	2
773	BACB30NN3K6		...BOLT	A-E,G ,N,P, S-X	7
775	HL10VAZ6-5		...BOLT- (V60516) (SPEC BACB30MY6K5) (OPT B30MY6K5 (V97928))	A-E,G ,N,P, S-X	5
777	HL10VAZ6-3		...BOLT- (V60516) (SPEC BACB30MY6K3) (OPT B30MY6K3 (V97928))	A-E,G ,N,P, S-X	3
779	BACR15CE6KE4		...RIVET	A-E,G ,N,P, S-X	8
781	K29913-104		...WASHER- (V15653) (SPEC BACW10CA104CC) (OPT 70191-104 (V56878)) (OPT 922008-4 (V60119)) (OPT 942008-4 (V60119))	A-E,G ,N,P, S-X	1
783	K29646-104		...WASHER- (V15653) (SPEC BACW10CA104CV) (OPT 70188-104 (V56878)) (OPT 922007-4 (V60119)) (OPT 942007-4 (V60119))	A-E,G ,N,P, S-X	1

57-53-27

 ILLUSTRATED PARTS LIST  
 01.101 Page 1034Q  
 Mar 01/05

FIG. & ITEM	PART NO.	AIRLINE PART NUMBER	NOMENCLATURE 1234567	EFF CODE	QTY PER ASSY
01-785A	BACF3T03H8-8		...FILLER	A-E,G ,N,P, S-X	1
787	BACS40R08C10F		...SHIM	A-E,G ,N,P, S-X	3
789	BACS40R08C08F		...SHIM	A-E,G ,N,P, S-X	2
791	BACS40R08C09F		...SHIM	A-E,G ,N,P, S-X	1
793	BACS40R09C10F		...SHIM	A-E,G ,N,P, S-X	1
795	BACS40R29C08F		...SHIM	A-E,G ,N,P, S-X	1
797	HL79-6		...COLLAR- (V5M902) (SPEC BACC30M6) (OPT HL79-6 (V73197)) (OPT HL79-6 (V92215)) (OPT 66014-6 (V56878)) (OPT HL79-6 (V56878))	A-E,G ,N,P, S-X	11
799	HL79-8		...COLLAR- (V5M902) (SPEC BACC30M8) (OPT HL79-8 (V73197)) (OPT HL79-8 (V92215)) (OPT 66014-8 (V56878)) (OPT HL79-8 (V56878))	A-E,G ,N,P, S-X	2

# 57-53-27

 ILLUSTRATED PARTS LIST  
 01.101 Page 1034R  
 Mar 01/05




**BOEING**  
 COMPONENT  
 MAINTENANCE MANUAL

FIG. & ITEM	PART NO.	AIRLINE PART NUMBER	NOMENCLATURE 1234567	EFF CODE	QTY PER ASSY
01-800	HL79-8		DELETED		
-800A	HL1187-8		DELETED		
801	BRFM22A3-3		...NUTPLATE- (V52828) (SPEC BACN10JQ33) (OPT MF19058-3-3BAC (V15653))	A-E,G ,N,P, S-X	2
803	BACN10JQ42		...NUTPLATE	A-E,G ,N,P, S-X	1
805	BACN10JQ43		...NUTPLATE	A-E,G ,N,P, S-X	1
807	NS103191-02-3		...NUTPLATE- (V80539) (SPEC BACN10KE3B3) (OPT F51750-3-3 (V15653)) (OPT RMF9213-3-3 (V72962)) (OPT BRFR220A3-3 (V52828))	A-E,G ,N,P, S-X	3
809	NS103194-02-3		...NUTPLATE- (V80539) (SPEC BACN10KE3E3) (OPT F51752-3-3 (V15653)) (OPT RMF9216-3-3 (V72962)) (OPT BRFR120A3-3 (V52828))	A-E,G ,N,P, S-X	2
811	BACR15BA3AD		...RIVET- (SIZE DETERMINE ON INST)  -----*-----	A-E,G ,N,P, S-X	18
-813	113T2233-3		..RIB INSTL- (USED ON ITEM 6)	A,B	1
-813A	113T2233-7		..RIB INSTL- (USED ON ITEMS 6A, 6B, 6C, 6D, 6E, 6F, 6Q, 6R, 6S, 6T, 6U, 6V)	A,B,E ,N,S, U,W	1
-815	113T2233-4		..RIB INSTL- (USED ON ITEM 7A)	C,D	1

57-53-27

 ILLUSTRATED PARTS LIST  
 01.101 Page 1034S  
 Mar 01/05

FIG. & ITEM	PART NO.	AIRLINE PART NUMBER	NOMENCLATURE 1234567	EFF CODE	QTY PER ASSY
01- -815A	113T2233-8		..RIB INSTL- (USED ON ITEMS 7B, 7C, 7D, 7E, 7F, 7G, 7K, 7L, 7M, 7N, 7P, 7Q)	C,D,G ,P,T, V,X	1
817	113T2236-3		...RIB-SPRT (USED ON ITEM 813)	A,B	1
-817A	113T2236-9		...RIB-SPRT (USED ON ITEM 813A)	A,B,E ,N,S, U,W	1
-819	113T2236-4		...RIB-SPRT (USED ON ITEM 815)	C,D	1
-819A	113T2236-10		...RIB-SPRT (USED ON ITEM 815A)	C,D,G ,P,T, V,X	1
821	BACB30NN3K6		ATTACHING PARTS ...BOLT	A-E,G ,N,P, S-X	6
823	BACB30NN4K9		...BOLT	A-E,G ,N,P, S-X	12
825	HL11VAZ6-4		...BOLT- (V60516) (SPEC BACB30NW6K4) (OPT HL11V6-4 (V92215)) (OPT HL11V6-4 (V97928)) (OPT L803-6-4 (V06725)) (OPT B30NW6K4 (V97928)) (OPT HL11VAZ6-4 (V73197)) (OPT HL11VAZ6-4 (V92215)) (OPT HL11VAZ6-4 (V56878))	A-E,G ,N,P, S-X	10

57-53-27

 ILLUSTRATED PARTS LIST  
 01.101 Page 1034T  
 Mar 01/05


**BOEING**  
 COMPONENT  
 MAINTENANCE MANUAL

FIG. & ITEM	PART NO.	AIRLINE PART NUMBER	NOMENCLATURE 1234567	EFF CODE	QTY PER ASSY
01-827	HL11VAZ6-9		...BOLT- (V60516) (SPEC BACB30NW6K9) (OPT B30NW6K9 (V97928)) (OPT HL11VAZ6-9 (V73197)) (OPT HL11VAZ6-9 (V92215)) (OPT HL11VAZ6-9 (V97928)) (OPT L803-6K9 (V06725)) (OPT HL11VAZ6-9 (V0PTK6)) (OPT HL11VAZ6-9 (V56878))	A-E,G ,N,P, S-X	2
829	HL11VAZ8-5		...BOLT- (V60516) (SPEC BACB30NW8K5) (OPT B30NW8K5 (V97928)) (OPT HL11VAZ8-5 (V73197)) (OPT HL11VAZ8-5 (V92215)) (OPT HL11VAZ8-5 (V97928)) (OPT L803-8K5 (V06725)) (OPT HL11VAZ8-5 (V0PTK6)) (OPT HL11VAZ8-5 (V56878))	A-E,G ,N,P, S-X	2

57-53-27

 ILLUSTRATED PARTS LIST  
 01.101 Page 1034U  
 Mar 01/05

FIG. & ITEM	PART NO.	AIRLINE PART NUMBER	NOMENCLATURE 1234567	EFF CODE	QTY PER ASSY
01-831	HL11VAZ8-9		...BOLT- (V56878) (SPEC BACB30NW8K9) (OPT B30NW8K9 (V97928)) (OPT HL11VAZ8-9 (V73197)) (OPT HL11VAZ8-9 (V92215)) (OPT HL11VAZ8-9 (V97928)) (OPT L803-8K9 (V06725)) (OPT HL11VAZ8-9 (V0PTK6)) (OPT HL11VAZ8-9 (V60516))	A-E,G ,N,P, S-X	6
833	BACS40R09C21F		...SHIM	A-E,G ,N,P, S-X	1
835	BACS40R10C21F		...SHIM	A-E,G ,N,P, S-X	1
837	BACS40R10C30F		...SHIM	A-E,G ,N,P, S-X	1
839	BACS40R11C21F		...SHIM	A-E,G ,N,P, S-X	1

**57-53-27**

 ILLUSTRATED PARTS LIST  
 01.101 Page 1034V  
 Mar 01/05


**BOEING**  
 COMPONENT  
 MAINTENANCE MANUAL

FIG. & ITEM	PART NO.	AIRLINE PART NUMBER	NOMENCLATURE 1234567	EFF CODE	QTY PER ASSY
01-841	BACS40R12C21F		...SHIM	A-E,G ,N,P, S-X	1
843	BACS40R12C28F		...SHIM	A-E,G ,N,P, S-X	1
845	BACS40R14C33F		...SHIM	A-E,G ,N,P, S-X	1
847	BACS40R17C33F		...SHIM	A-E,G ,N,P, S-X	1
849	BACS40R19C28F		...SHIM	A-E,G ,N,P, S-X	1
851	HL79-6		...COLLAR- (V5M902) (SPEC BACC30M6) (OPT HL79-6 (V73197)) (OPT HL79-6 (V92215)) (OPT 66014-6 (V56878)) (OPT HL79-6 (V56878))	A-E,G ,N,P, S-X	12
853	HL79-8		...COLLAR- (V5M902) (SPEC BACC30M8) (OPT HL79-8 (V73197)) (OPT HL79-8 (V92215)) (OPT 66014-8 (V56878)) (OPT HL79-8 (V56878)) -----*	A-E,G ,N,P, S-X	8
855	BACN10JQ42		...NUTPLATE	A-E,G ,N,P, S-X	10
857	BACN10JQ44		...NUTPLATE	A-E,G ,N,P, S-X	2

57-53-27

 ILLUSTRATED PARTS LIST  
 01.101 Page 1034W  
 Mar 01/05

FIG. & ITEM	PART NO.	AIRLINE PART NUMBER	NOMENCLATURE 1234567	EFF CODE	QTY PER ASSY
01-859	NS103191-02-3		...NUTPLATE- (V80539) (SPEC BACN10KE3B3) (OPT F51750-3-3 (V15653)) (OPT RMF9213-3-3 (V72962)) (OPT BRFR220A3-3 (V52828)) ATTACHING PARTS	A-E,G ,N,P, S-X	6
861	BACR15BA3AD		...RIVET- (SIZE DETERMINE ON INST)  -----*-----	A-E,G ,N,P, S-X	36
-863	113T2234-3		..RIB INSTL- (USED ON ITEMS 6, 6B)	A,B	1
-863A	113T2234-7		..RIB INSTL- (USED ON ITEMS 6A, 6C, 6D, 6E)	A,B	1
-863B	113T2234-9		..RIB INSTL	E,N,S ,U,W	1
-863C	113T2234-13		DELETED		
-864	113T2234-4		..RIB INSTL- (USED ON ITEMS 7A, 7C)	C,D	1
-864A	113T2234-8		..RIB INSTL- (USED ON ITEMS 7B, 7D, 7E, 7F)	C,D	1
-864B	113T2234-10		..RIB INSTL	G,P,T ,V,X	1
-864C	113T2234-14		DELETED		
865	BACR15BA3AD		...RIVET- (SIZE DETERMINE ON INST)	A-E,G ,N,P, S-X	44
866	BACN10JQ42		...NUTPLATE	A-E,G ,N,P, S-X	6
867	BACN10JQ43		...NUTPLATE	A-E,G ,N,P, S-X	4

57-53-27

 ILLUSTRATED PARTS LIST  
 01.101 Page 1034X  
 Mar 01/05


**BOEING**  
 COMPONENT  
 MAINTENANCE MANUAL

FIG. & ITEM	PART NO.	AIRLINE PART NUMBER	NOMENCLATURE 1234567	EFF CODE	QTY PER ASSY
01-868	NS103191-02-3		...NUTPLATE- (V80539) (SPEC BACN10KE3B3) (OPT F51750-3-3 (V15653)) (OPT RMF9213-3-3 (V72962)) (OPT BRFR220A3-3 (V52828))	A-E,G ,N,P, S-X	12
869	113T2238-3		...RIB ASSY-SPRT (USED ON ITEM 863)	A,B	1
-869A	113T2238-18		...RIB ASSY-SPRT (USED ON ITEM 863A)	A,B	1
-869B	113T2238-27		...RIB ASSY-SPRT	E,N,S ,U,W	1
-869C	113T2238-33		DELETED		
870	113T2238-4		...RIB ASSY-SPRT (USED ON ITEM 864)	C,D	1
-870A	113T2238-19		...RIB ASSY-SPRT (USED ON ITEM 864A)	C,D	1
-870B	113T2238-28		...RIB ASSY-SPRT	G,P,T ,V,X	1
-870C	113T2238-34		DELETED		
871	BACB30LK4-9		ATTACHING PARTS ...BOLT	A-E,G ,N,P, S-X	10
873	HL10VAZ10-10		...BOLT- (V60516) (SPEC BACB30MY10K10) (OPT B30MY10K10 (V97928))	A-D	2

57-53-27

 ILLUSTRATED PARTS LIST  
 01.101 Page 1034Y  
 Mar 01/05

FIG. & ITEM	PART NO.	AIRLINE PART NUMBER	NOMENCLATURE 1234567	EFF CODE	QTY PER ASSY
01- -873A	HL10VAZ12-10		...BOLT- (V60516) (SPEC BACB30MY12K10) (OPT B30MY12K10 (V97928))	E,G,N ,P, S-X	2
875	HL10VAZ8-9		...BOLT- (V60516) (SPEC BACB30MY8K9) (OPT B30MY8K9 (V97928))	A-E,G ,N,P, S-X	6
877	BACB30NN3K6		...BOLT	A-E,G ,N,P, S-X	12
879	HL11VAZ6-4		...BOLT- (V60516) (SPEC BACB30NW6K4) (OPT HL11V6-4 (V92215)) (OPT HL11V6-4 (V97928)) (OPT L803-6-4 (V06725)) (OPT B30NW6K4 (V97928)) (OPT HL11VAZ6-4 (V73197)) (OPT HL11VAZ6-4 (V92215)) (OPT HL11VAZ6-4 (V56878))	A-E,G ,N,P, S-X	14

# 57-53-27

 ILLUSTRATED PARTS LIST  
 01.101 Page 1034Z  
 Mar 01/05



**BOEING**  
 COMPONENT  
 MAINTENANCE MANUAL

FIG. & ITEM	PART NO.	AIRLINE PART NUMBER	NOMENCLATURE 1234567	EFF CODE	QTY PER ASSY
01-881	HL11VAZ8-10		...BOLT- (V60516) (SPEC BACB30NW8K10) (OPT B30NW8K10 (V97928)) (OPT HL11VAZ8-10 (V73197)) (OPT HL11VAZ8-10 (V92215)) (OPT HL11VAZ8-10 (V97928)) (OPT L803-8K10 (V06725)) (OPT HL11VAZ8-10 (VOPTK6)) (OPT HL11VAZ8-10 (V56878))	A-E,G ,N,P, S-X	4
882	HL11VAZ8-10		...BOLT- (V60516) (SPEC BACB30NW8K10) (OPT B30NW8K10 (V97928)) (OPT HL11VAZ8-10 (V73197)) (OPT HL11VAZ8-10 (V92215)) (OPT HL11VAZ8-10 (V97928)) (OPT L803-8K10 (V06725)) (OPT HL11VAZ8-10 (VOPTK6)) (OPT HL11VAZ8-10 (V56878))	A-E,G ,N,P, S-X	2
-882A	HL13VAZ8-10		DELETED		

**57-53-27**

ILLUSTRATED PARTS LIST  
 01.101 Page 1035  
 Mar 01/05

FIG. & ITEM	PART NO.	AIRLINE PART NUMBER	NOMENCLATURE 1234567	EFF CODE	QTY PER ASSY
01-883	HL11VAZ8-7		...BOLT- (V56878) (SPEC BACB30NW8K7) (OPT B30NW8K7 (V97928)) (OPT HL11VAZ8-7 (V73197)) (OPT HL11VAZ8-7 (V92215)) (OPT HL11VAZ8-7 (V97928)) (OPT L803-8K7 (V06725)) (OPT HL11VAZ8-7 (V0PTK6)) (OPT HL11VAZ8-7 (V60516))	A-E,G ,N,P, S-X	4
885	HL11VAZ8-9		...BOLT- (V56878) (SPEC BACB30NW8K9) (OPT B30NW8K9 (V97928)) (OPT HL11VAZ8-9 (V73197)) (OPT HL11VAZ8-9 (V92215)) (OPT HL11VAZ8-9 (V97928)) (OPT L803-8K9 (V06725)) (OPT HL11VAZ8-9 (V0PTK6)) (OPT HL11VAZ8-9 (V60516))	A-E,G ,N,P, S-X	2

# 57-53-27

 ILLUSTRATED PARTS LIST  
 01.101 Page 1036  
 Mar 01/05


**BOEING**  
 COMPONENT  
 MAINTENANCE MANUAL

FIG. & ITEM	PART NO.	AIRLINE PART NUMBER	NOMENCLATURE 1234567	EFF CODE	QTY PER ASSY
01-887	BACS40R11C22F		...SHIM	A-E,G ,N,P, S-X	1
889	BACS40R11C29F		...SHIM	A-E,G ,N,P, S-X	2
891	BACS40R12C22F		...SHIM	A-E,G ,N,P, S-X	2
893	BACS40R13C22F		...SHIM	A-E,G ,N,P, S-X	1
895	BACS40R13C29F		...SHIM	A-E,G ,N,P, S-X	1
897	BACS40R14C29F		...SHIM	A-E,G ,N,P, S-X	1
899	BACS40R19C22F		...SHIM	A-E,G ,N,P, S-X	1
901	BACS40R51C22F		...SHIM	A-E,G ,N,P, S-X	1
903	HL79-10		...COLLAR- (V5M902) (SPEC BACC30M10) (OPT HL79-10 (V73197)) (OPT HL79-10 (V92215)) (OPT 66014-10 (V56878)) (OPT HL79-10 (V56878))	A-E,G ,N,P, S-X A-D	2

57-53-27

 ILLUSTRATED PARTS LIST  
 01.101 Page 1036A  
 Mar 01/05

FIG. & ITEM	PART NO.	AIRLINE PART NUMBER	NOMENCLATURE 1234567	EFF CODE	QTY PER ASSY
01- -903A	HL79-12		...COLLAR- (V5M902) (SPEC BACC30M12) (OPT HL79-12 (V73197)) (OPT HL79-12 (V92215)) (OPT 66014-12 (V56878)) (OPT HL79-12 (V56878))	E,G,N ,P, S-X	2
905	HL79-6		...COLLAR- (V5M902) (SPEC BACC30M6) (OPT HL79-6 (V73197)) (OPT HL79-6 (V92215)) (OPT 66014-6 (V56878)) (OPT HL79-6 (V56878))	A-E,G ,N,P, S-X	14
907	HL79-8		...COLLAR- (V5M902) (SPEC BACC30M8) (OPT HL79-8 (V73197)) (OPT HL79-8 (V92215)) (OPT 66014-8 (V56878)) (OPT HL79-8 (V56878))	A-E,G ,N,P, S-X	16

# 57-53-27

 ILLUSTRATED PARTS LIST  
 01.101 Page 1036B  
 Mar 01/05


**BOEING**  
 COMPONENT  
 MAINTENANCE MANUAL

FIG. & ITEM	PART NO.	AIRLINE PART NUMBER	NOMENCLATURE 1234567	EFF CODE	QTY PER ASSY
01-908	HL79-8		...COLLAR- (V5M902) (SPEC BACC30M8) (OPT HL79-8 (V73197)) (OPT HL79-8 (V92215)) (OPT 66014-8 (V56878)) (OPT HL79-8 (V56878))	A-E,G ,N,P, S-X	2
-908A	HL1187-8		DELETED		
917	113T2238-9		....RIB- (USED ON ITEM 869)	A,B	1
-917A	113T2238-14		....RIB- (USED ON ITEM 869A)	A,B	1
-917B	113T2238-29		....RIB	E,N,S ,U,W	1
-919	113T2238-10		....RIB- (USED ON ITEM 870)	C,D	1
-919A	113T2238-15		....RIB- (USED ON ITEM 870A)	C,D	1
-919B	113T2238-30		....RIB	G,P,T ,V,X	1
921	113T2238-11		....RIB- (USED ON ITEM 869)	A,B	1
-921A	113T2238-16		....RIB- (USED ON ITEM 869A)	A,B	1
-921B	113T2238-31		....RIB	E,N,S ,U,W	1
-923	113T2238-12		....RIB- (USED ON ITEM 870)	C,D	1
-923A	113T2238-17		....RIB- (USED ON ITEM 870A)	C,D	1
-923B	113T2238-32		....RIB	G,P,T ,V,X	1
925	HL10VAZ6-3		....BOLT- (V60516) (SPEC BACB30MY6K3) (OPT B30MY6K3 (V97928))	A-E,G ,N,P, S-X	12

57-53-27

 ILLUSTRATED PARTS LIST  
 01.101 Page 1036C  
 Mar 01/05

FIG. & ITEM	PART NO.	AIRLINE PART NUMBER	NOMENCLATURE 1234567	EFF CODE	QTY PER ASSY
01-927	HL79-6		....COLLAR- (V5M902) (SPEC BACC30M6) (OPT HL79-6 (V73197)) (OPT HL79-6 (V92215)) (OPT 66014-6 (V56878)) (OPT HL79-6 (V56878)) -----*	A-E,G ,N,P, S-X	12
929	113T2242-1		..PANEL ASSY-UPR	A,B	1
-929A	113T2242-13		..PANEL ASSY-UPR	E,N,S ,U,W	1
-929B	113T2242-17		DELETED		
-931	113T2242-2		..PANEL ASSY-UPR	C,D	1
-931A	113T2242-14		..PANEL ASSY-UPR	G,P,T ,V,X	1
-931B	113T2242-18		DELETED		
933	113T3144-5		...DOOR ASSY-ACCESS	A-E,G ,N,P, S-X	1
			ATTACHING PARTS		
937	BACB30NN3K4		...BOLT  -----*	A-E,G ,N,P,  S-X	16
939	MS16562-5		....PIN-SPR	A-E,G ,N,P, S-X	1
941	113T3144-21		....SCREW	A-E,G ,N,P, S-X	1
943	NS103191-02-3		....NUTPLATE- (V80539) (SPEC BACN10KE3B3) (OPT F51750-3-3 (V15653)) (OPT RMF9213-3-3 (V72962)) (OPT BRFR220A3-3 (V52828))	A-E,G ,N,P, S-X	17

57-53-27

 ILLUSTRATED PARTS LIST  
 01.101 Page 1036D  
 Mar 01/05


**BOEING**  
 COMPONENT  
 MAINTENANCE MANUAL

FIG. & ITEM	PART NO.	AIRLINE PART NUMBER	NOMENCLATURE 1234567	EFF CODE	QTY PER ASSY
01-					
945	BACR15BA3AD		ATTACHING PARTS ....RIVET- (SIZE DETERMINE ON INST)	A-E,G ,N,P, S-X	34
			-----*-----		
947	113T3144-15		....DOOR	A-E,G ,N,P, S-X	1
951	113T2243-1		..PANEL ASSY-LWR	A,B,E ,N,S, U,W	1
-953	113T2243-2		..PANEL ASSY-LWR	C,D,G ,P,T, V,X	1
955	113T3144-7		...DOOR ASSY-ACCESS	A-E,G ,N,P, S-X	2
			ATTACHING PARTS		
963	BACB30NN3K5		...BOLT	A-E,G ,N,P, S-X	32
			-----*-----		
965	MS16562-5		....PIN-SPR	A-E,G ,N,P, S-X	1
967	113T3144-21		....SCREW	A-E,G ,N,P, S-X	1
969	NS103191-02-3		....NUTPLATE- (V80539) (SPEC BACN10KE3B3) (OPT F51750-3-3 (V15653)) (OPT RMF9213-3-3 (V72962)) (OPT BRFR220A3-3 (V52828)) ATTACHING PARTS	A-E,G ,N,P, S-X	17

57-53-27

 ILLUSTRATED PARTS LIST  
 01.101 Page 1036E  
 Mar 01/05

FIG. & ITEM	PART NO.	AIRLINE PART NUMBER	NOMENCLATURE 1234567	EFF CODE	QTY PER ASSY
01-971	BACR15BA3AD		....RIVET- (SIZE DETERMINE ON INST)	A-E,G ,N,P, S-X	34
			-----*-----		
973	113T3144-17		....DOOR	A-E,G ,N,P, S-X	1
979	MS27253-3F		DELETED		
979A	MS27253F3		..PLATE	A-E,G ,N,P, S-X	1
-981	113T2207-1		..BOX ASSY-FWD TORQUE	A,B	1
-981B	113T2207-19		..BOX ASSY-FWD TORQUE	E	1
-981C	113T2207-21		DELETED		
-981D	113T2207-25		..BOX ASSY-FWD TORQUE (USED ON ITEMS 6Q, 6R) (FOR DETAILS SEE FIG.2)	N,S	1
-981E	113T2207-27		..BOX ASSY-FWD TORQUE (USED ON ITEMS 6S, 6T, 6U, 6V) (FOR DETAILS SEE FIG. 2)	N,S,U ,W	1
-983	113T2207-2		..BOX ASSY-FWD TORQUE	C,D	1
-983B	113T2207-20		..BOX ASSY-FWD TORQUE	G	1
-983C	113T2207-22		DELETED		
-983D	113T2207-26		..BOX ASSY-FWD TORQUE (USED ON ITEMS 7K, 7L) (FOR DETAILS SEE FIG. 2)	P,T	1
-983E	113T2207-28		..BOX ASSY-FWD TORQUE (USED ON ITEMS 7M, 7N, 7P, 7Q) (FOR DETAILS SEE FIG. 2)	P,T,V ,X	1

57-53-27

 ILLUSTRATED PARTS LIST  
 01.101 Page 1036F  
 Mar 01/05




**BOEING**  
 COMPONENT  
 MAINTENANCE MANUAL

FIG. & ITEM	PART NO.	AIRLINE PART NUMBER	NOMENCLATURE 1234567	EFF CODE	QTY PER ASSY
01- -985	113T2207-5001		...BOX ASSY- (REPLD BY ITEMS 985A, 985B, 985C, 985D) (FOR DETAILS SEE FIG. 2)	A,B	1
-985A	113T2207-5005		...BOX ASSY- (REPLS ITEM 985) (REPLD BY ITEMS 985B, 985C, 985D) (FOR DETAILS SEE FIG. 2)	A,B	1
-985B	113T2207-5007		...BOX ASSY- (REPLS ITEMS 985, 985A) (REPLD BY ITEMS 985C, 985D) (FOR DETAILS SEE FIG. 2)	A,B	1
-985C	113T2207-5009		...BOX ASSY- (REPLS ITEMS 985, 985A, 985B) (REPLD BY ITEM 985D) (FOR DETAILS SEE FIG. 2)	A,B	1
-985D	113T2207-5003		...BOX ASSY- (REPLS ITEMS 985, 985A, 985B, 985C) (FOR DETAILS SEE FIG. 2)	A,B	1
-985E	113T2207-5013		...BOX ASSY- (FOR DETAILS SEE FIG. 2)	E	1
-985F	113T2207-5015		DELETED		
-987	113T2207-5002		...BOX ASSY- (REPLD BY ITEMS 987A, 987B, 987C, 987D) (FOR DETAILS SEE FIG. 2)	C,D	1
-987A	113T2207-5006		...BOX ASSY- (REPLS ITEM 987) (REPLD BY ITEMS 987B, 987C, 987D) (FOR DETAILS SEE FIG. 2)	C,D	1
-987B	113T2207-5008		...BOX ASSY- (REPLS ITEMS 987, 987A) (REPLD BY ITEMS 987C, 987D) (FOR DETAILS SEE FIG. 2)	C,D	1

57-53-27

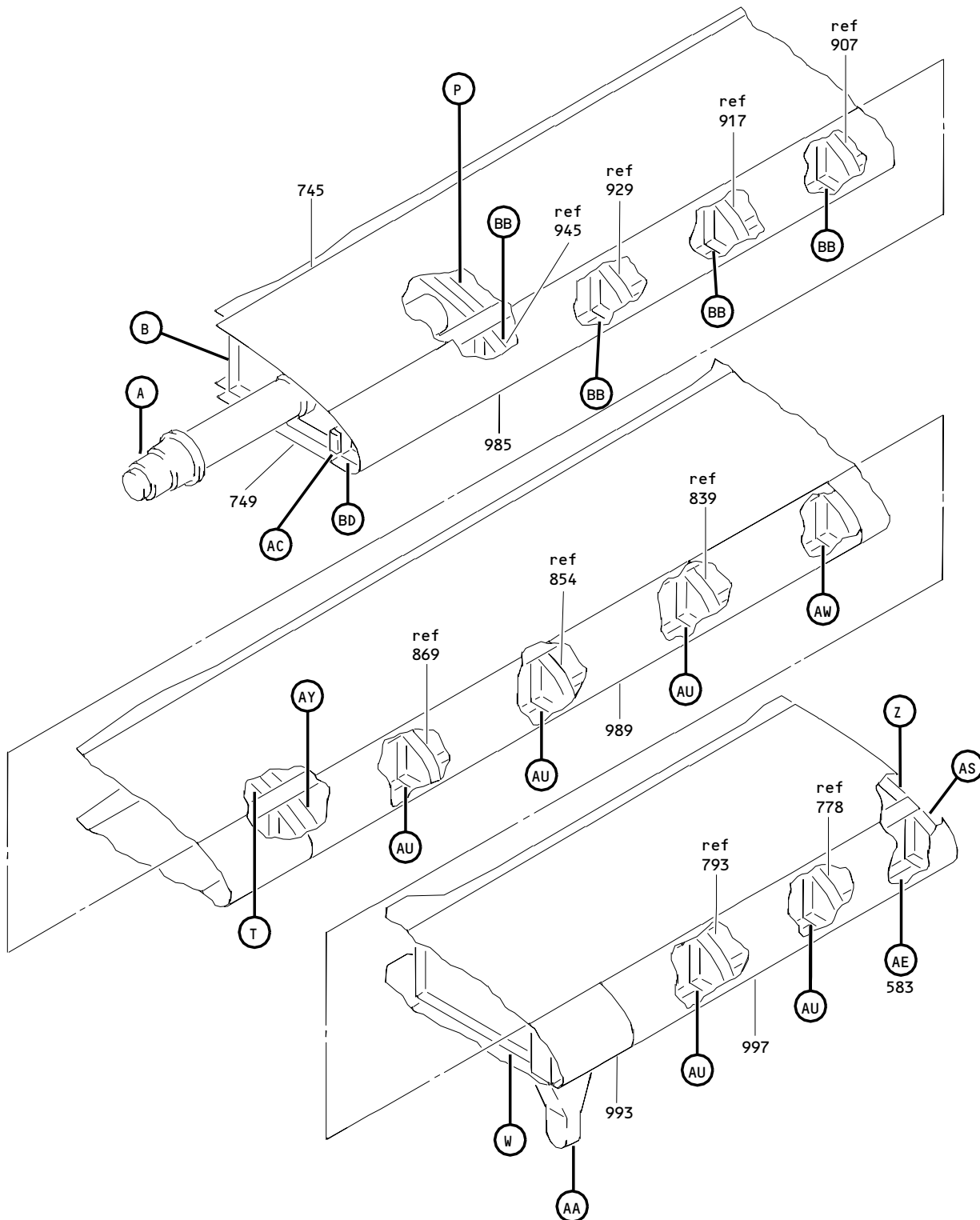
 ILLUSTRATED PARTS LIST  
 01.101 Page 1036G  
 Mar 01/05

FIG. & ITEM	PART NO.	AIRLINE PART NUMBER	NOMENCLATURE	EFF CODE	QTY PER ASSY
			1234567		
01- -987C	113T2207-5010		...BOX ASSY- (REPLS ITEMS 987, 987A, 987B) (REPLD BY ITEM 987D) (FOR DETAILS SEE FIG. 2)	C,D	1
-987D	113T2207-5004		...BOX ASSY- (REPLS ITEMS 987, 987A, 987B, 987C) (FOR DETAILS SEE FIG. 2)	C,D	1
-987E	113T2207-5014		...BOX ASSY- (FOR DETAILS SEE FIG. 2)	G	1
-987F	113T2207-5016		DELETED		

- Item Not Illustrated

# 57-53-27

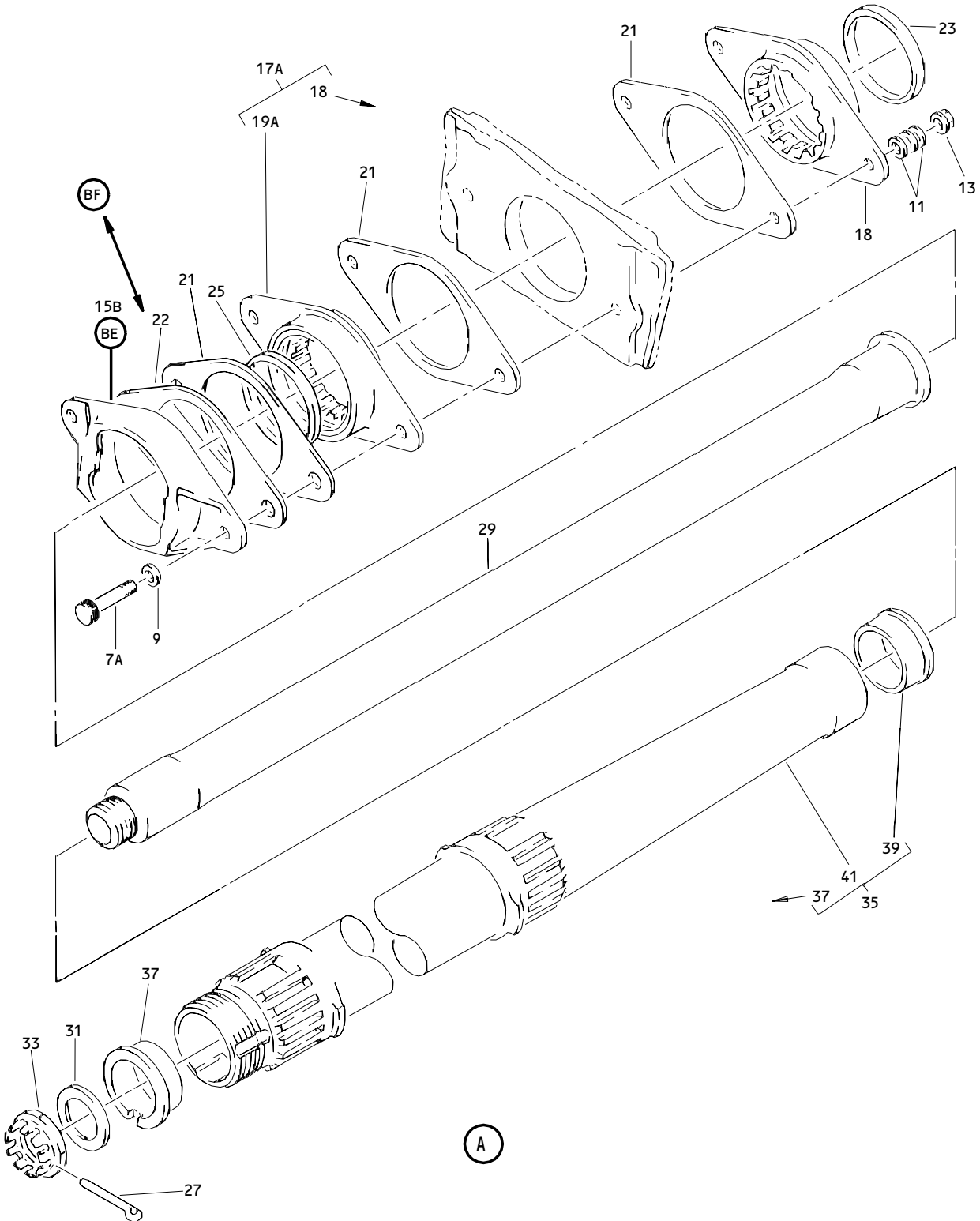
ILLUSTRATED PARTS LIST  
 01.101 Page 1036H  
 Mar 01/05



Inboard Trailing Edge Flap Main Flap Forward Torque Box Assembly  
Figure 2 (Sheet 1)

**57-53-27**

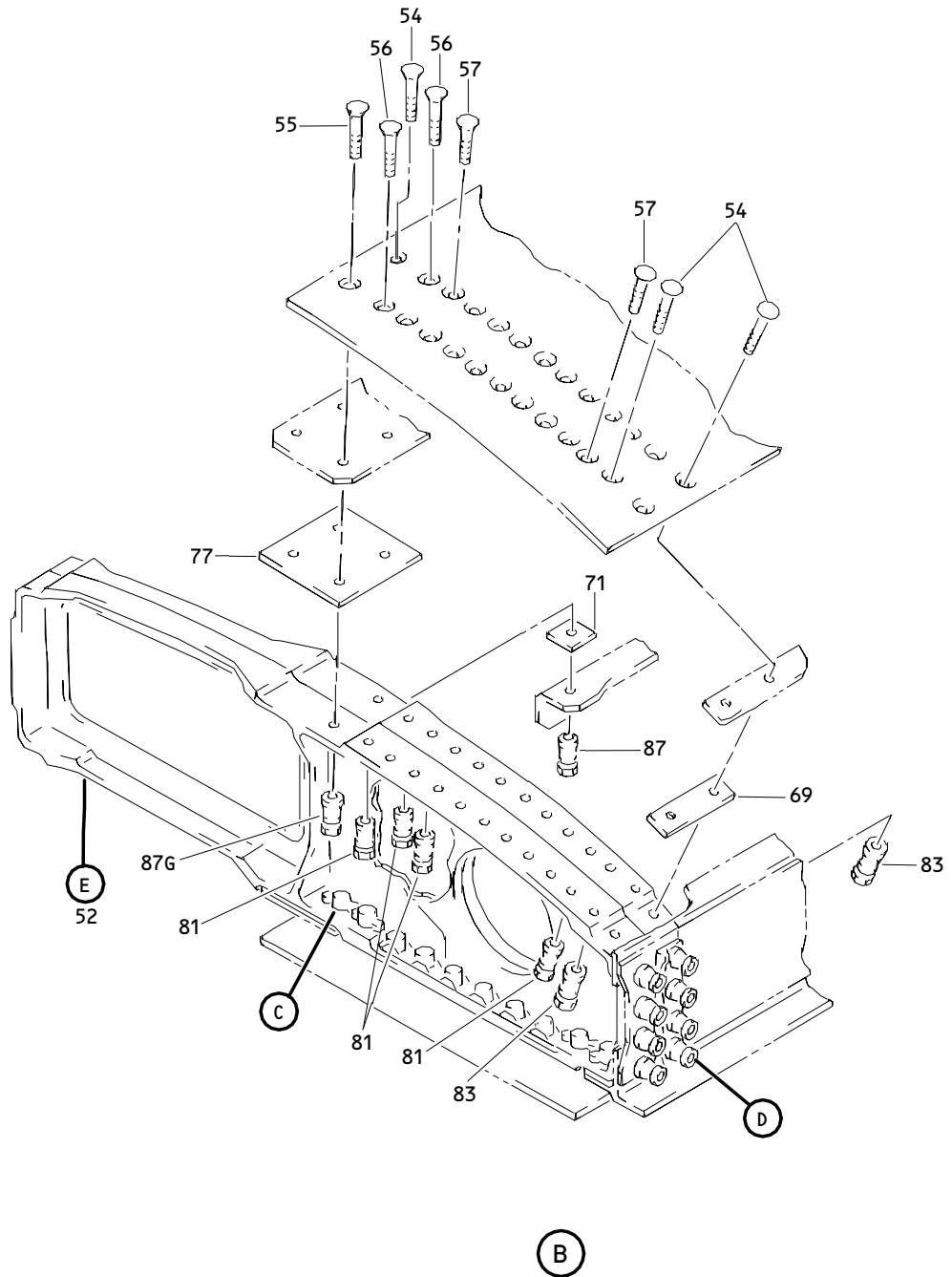
ILLUSTRATED PARTS LIST  
01.101 Page 1036I  
Mar 01/05



Inboard Trailing Edge Flap Main Flap Forward Torque Box Assembly  
 Figure 2 (Sheet 2)

**57-53-27**

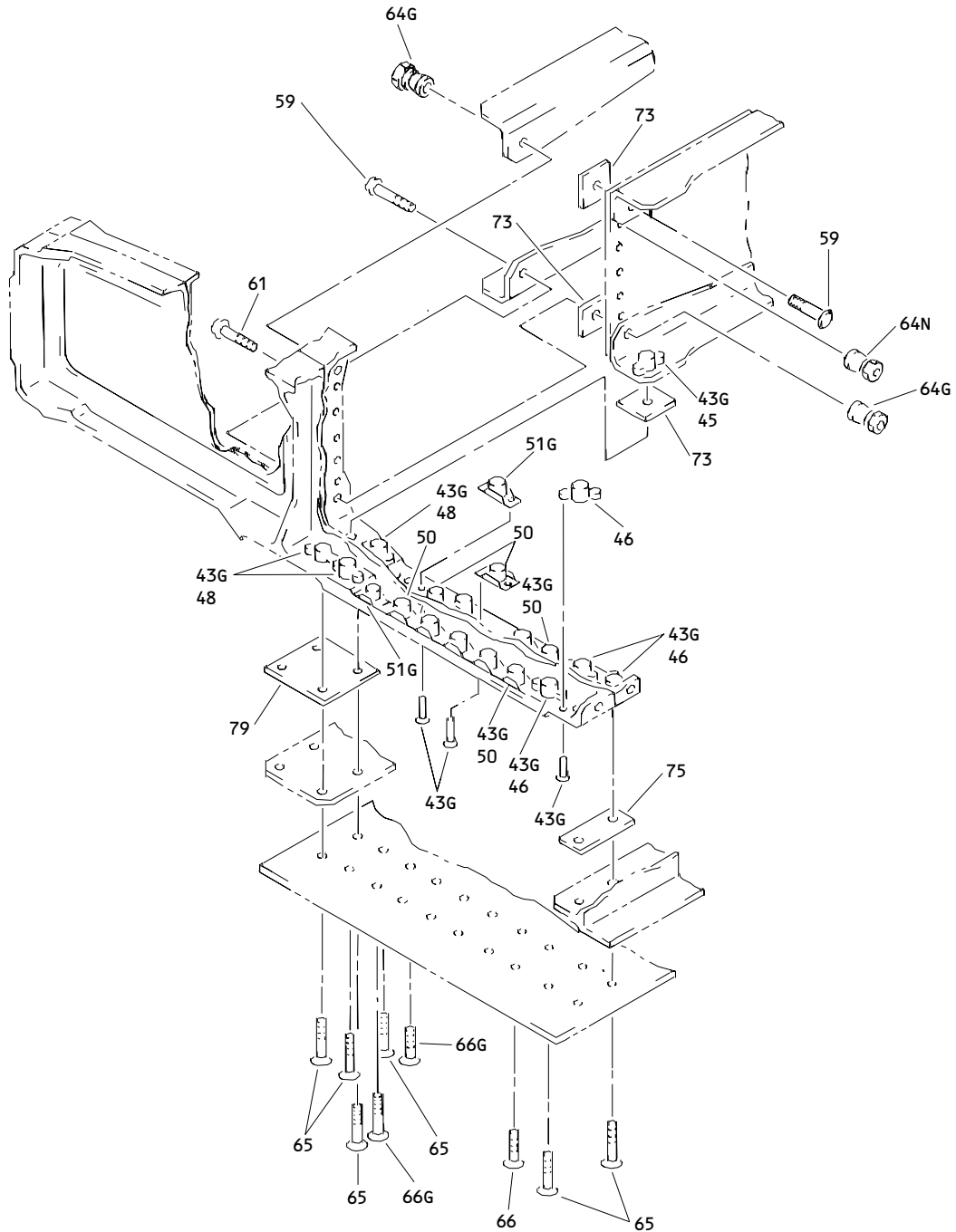
ILLUSTRATED PARTS LIST  
 01.101 Page 1036J  
 Mar 01/05



Inboard Trailing Edge Flap Main Flap Forward Torque Box Assembly  
Figure 2 (Sheet 3)

**57-53-27**

ILLUSTRATED PARTS LIST  
01.101 Page 1036K  
Mar 01/05

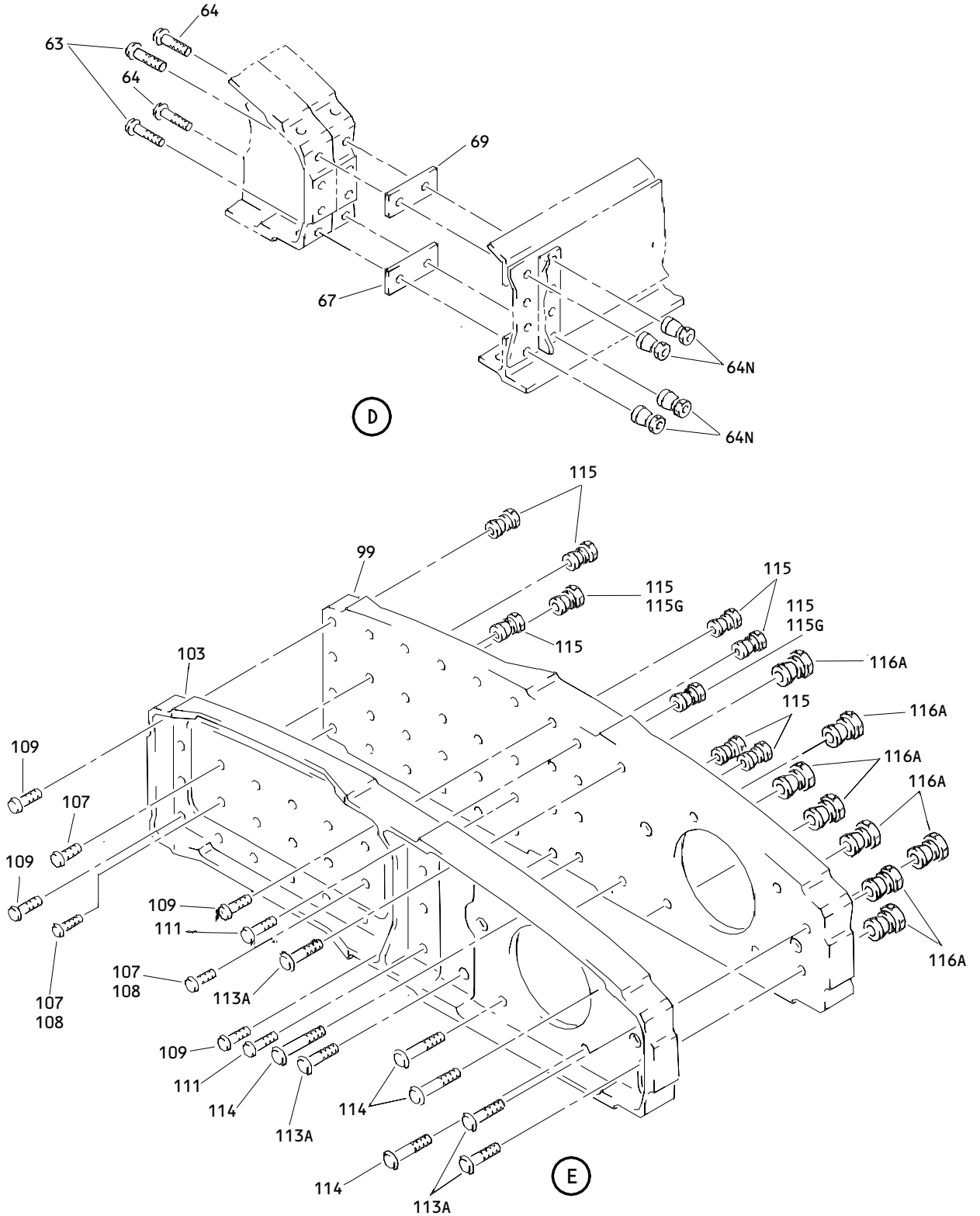


(C)

Inboard Trailing Edge Flap Main Flap Forward Torque Box Assembly  
 Figure 2 (Sheet 4)

**57-53-27**

ILLUSTRATED PARTS LIST  
 01.101 Page 1036L  
 Mar 01/05



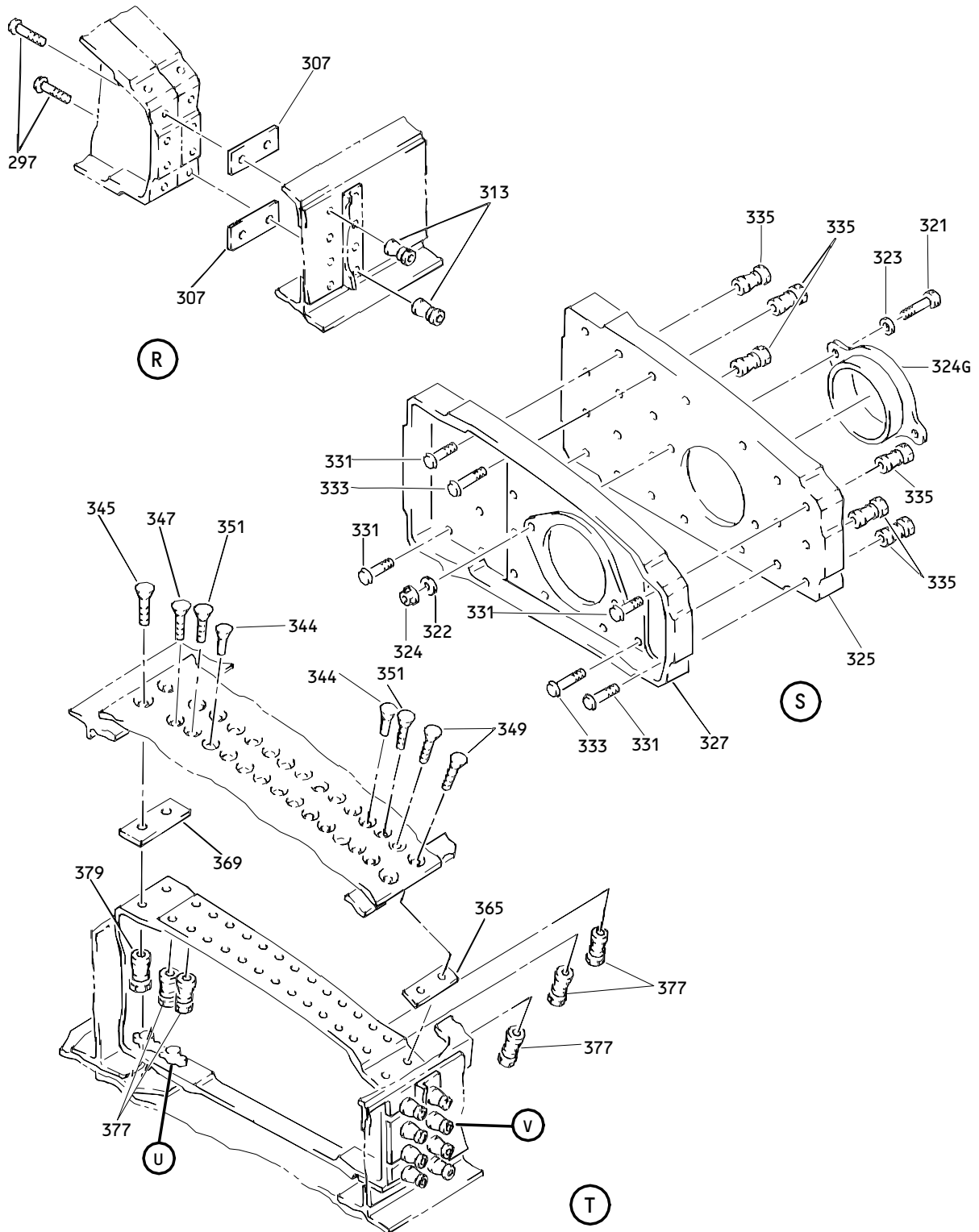
Inboard Trailing Edge Flap Main Flap Forward Torque Box Assembly  
Figure 2 (Sheet 5)

**57-53-27**

ILLUSTRATED PARTS LIST  
01.101 Page 1036M  
Mar 01/05



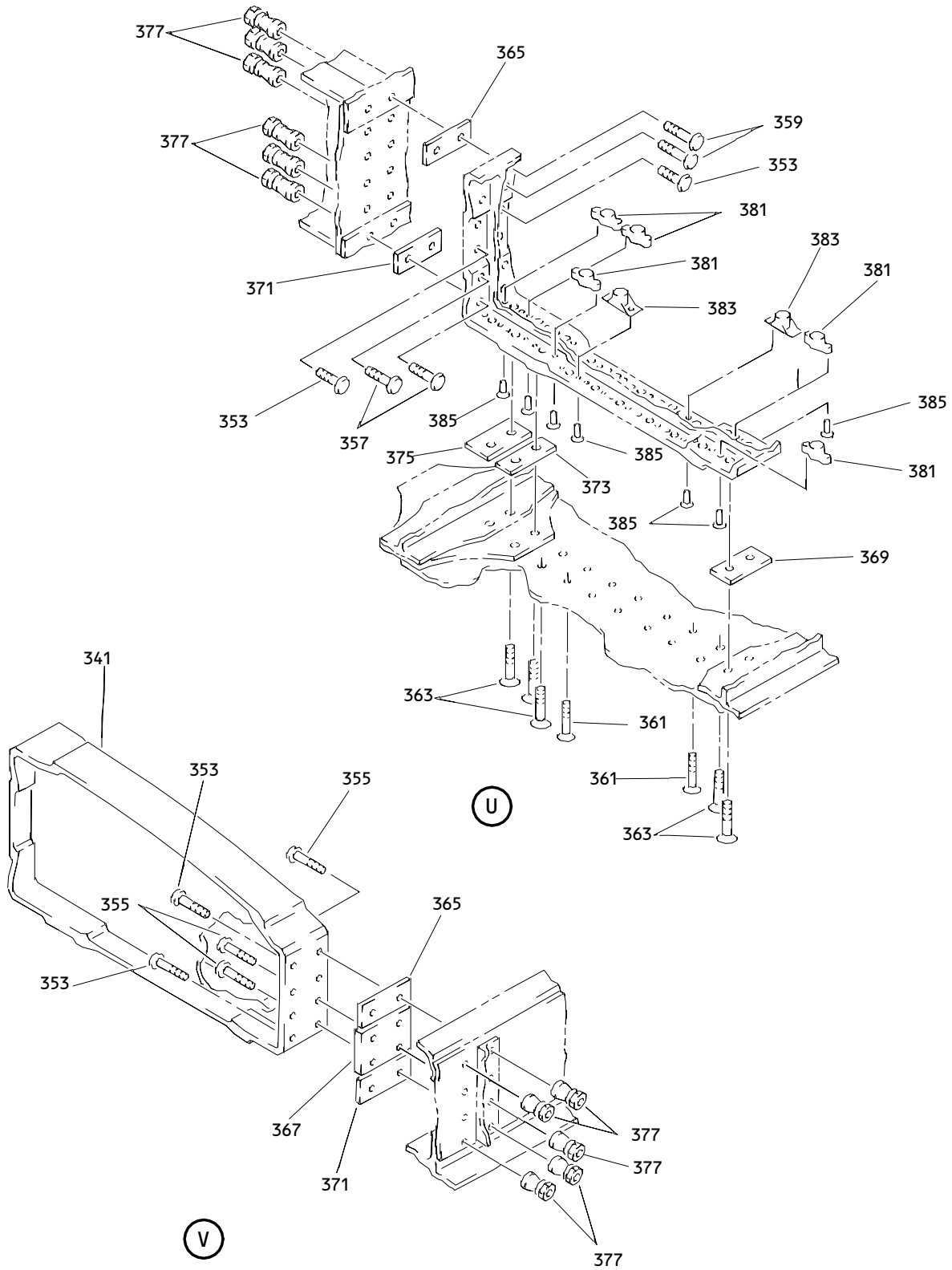




Inboard Trailing Edge Flap Main Flap Forward Torque Box Assembly  
 Figure 2 (Sheet 7)

**57-53-27**

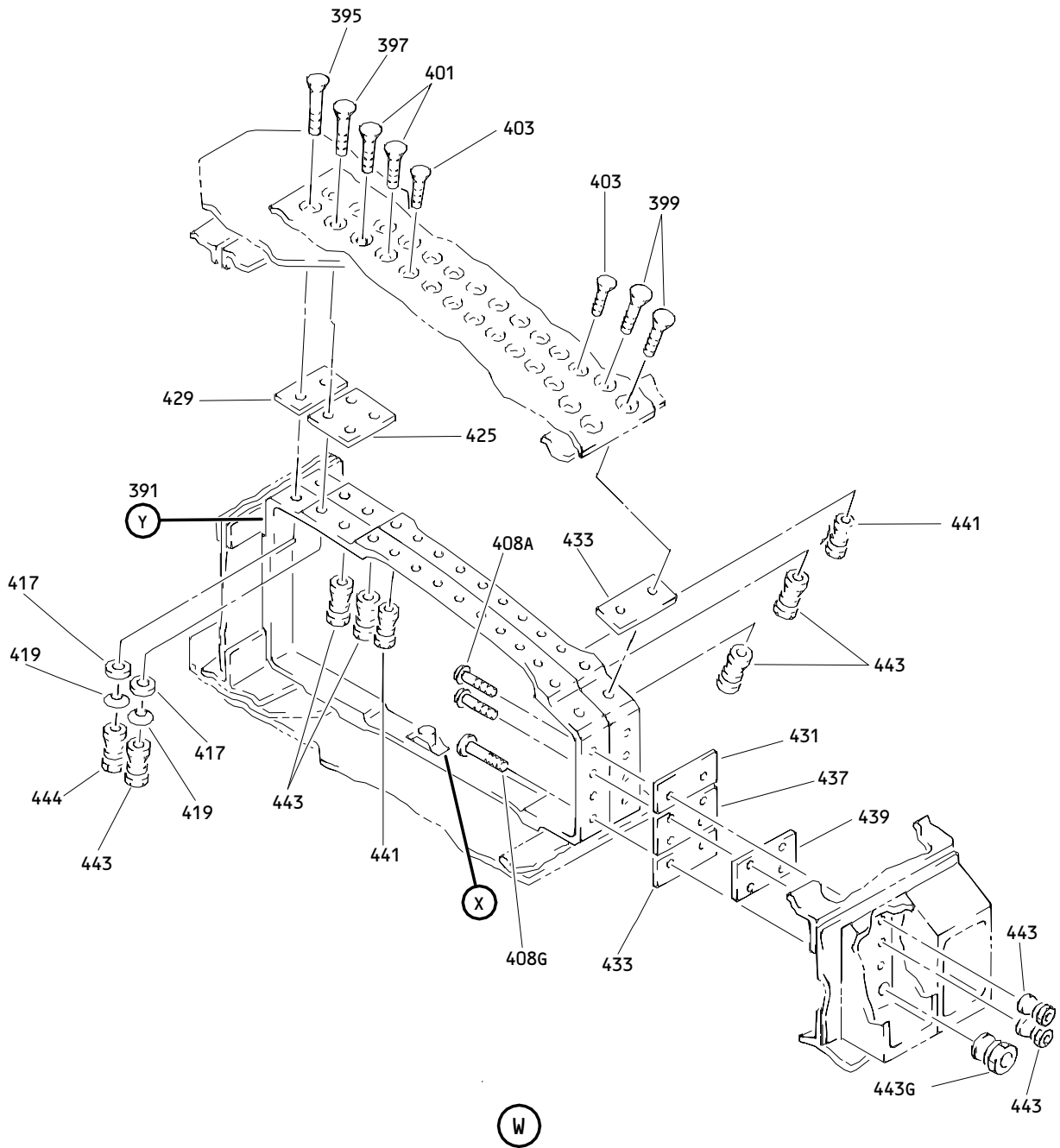
ILLUSTRATED PARTS LIST  
 01.101 Page 10360  
 Mar 01/05



Inboard Trailing Edge Flap Main Flap Forward Torque Box Assembly  
 Figure 2 (Sheet 8)

**57-53-27**

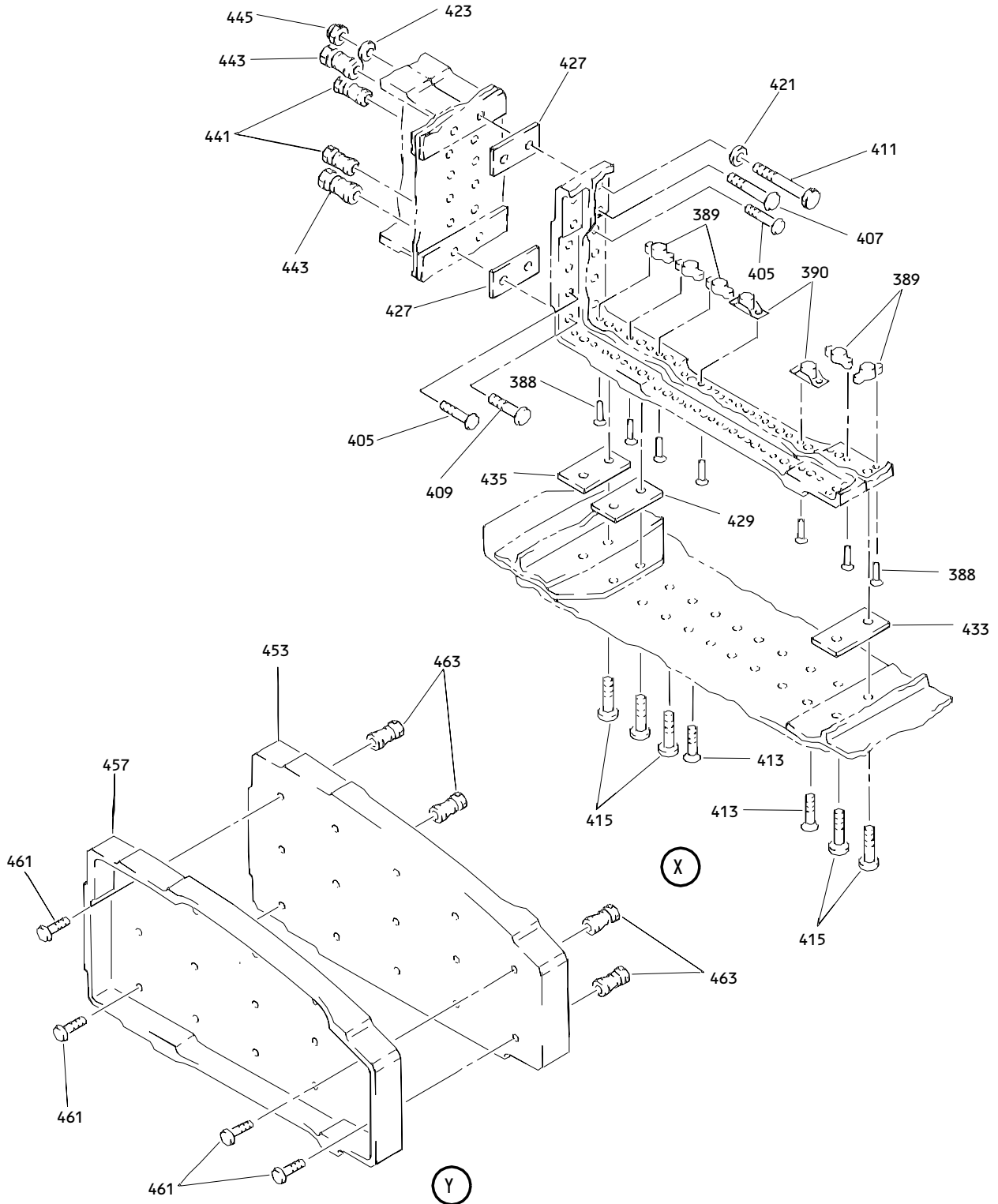
ILLUSTRATED PARTS LIST  
 01.101 Page 1036P  
 Mar 01/05



Inboard Trailing Edge Flap Main Flap Forward Torque Box Assembly  
Figure 2 (Sheet 9)

**57-53-27**

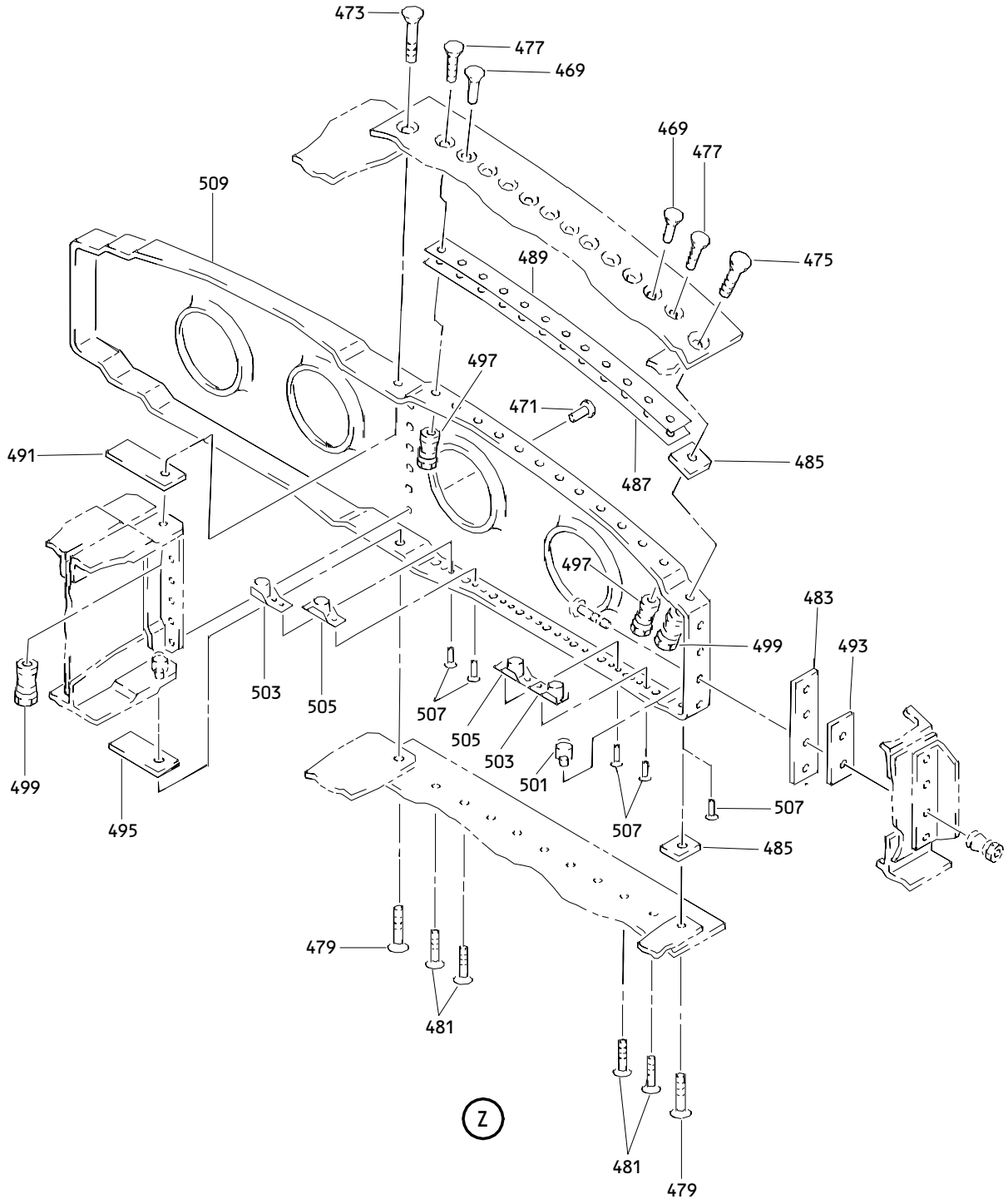
ILLUSTRATED PARTS LIST  
01.101 Page 1036Q  
Mar 01/05



Inboard Trailing Edge Flap Main Flap Forward Torque Box Assembly  
 Figure 2 (Sheet 10)

**57-53-27**

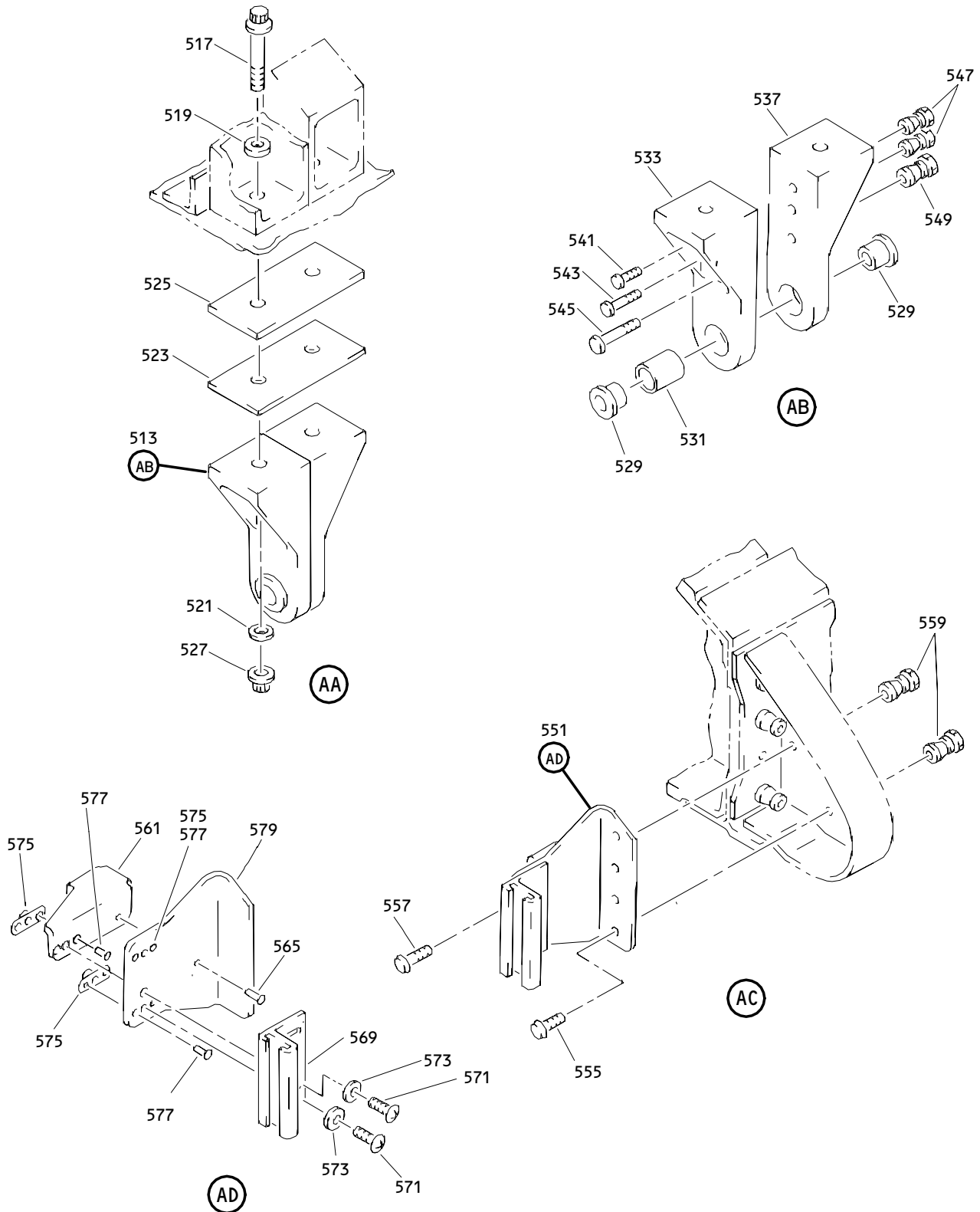
ILLUSTRATED PARTS LIST  
 01.101 Page 1036R  
 Mar 01/05



Inboard Trailing Edge Flap Main Flap Forward Torque Box Assembly  
Figure 2 (Sheet 11)

**57-53-27**

ILLUSTRATED PARTS LIST  
01.101 Page 1036S  
Mar 01/05

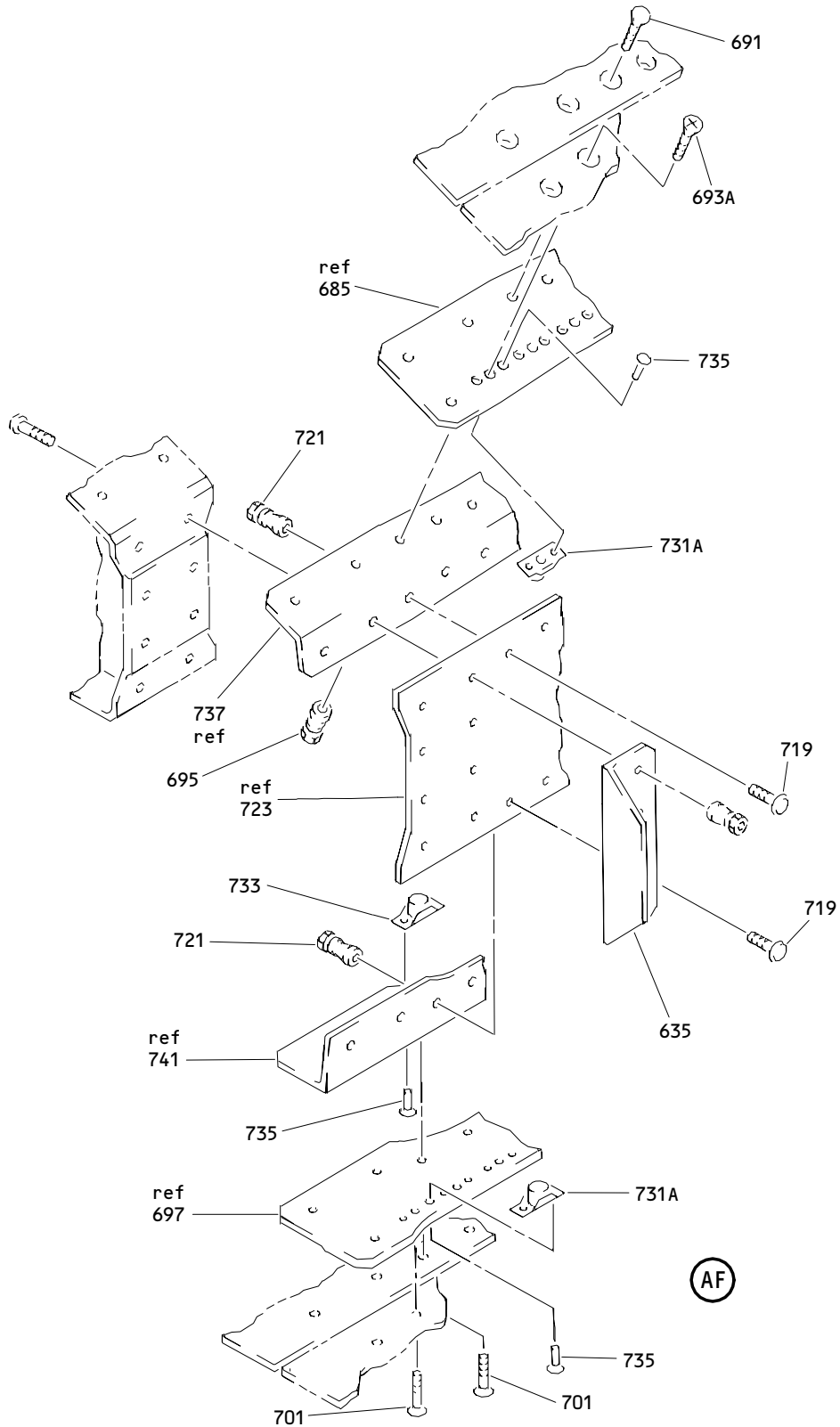


Inboard Trailing Edge Flap Main Flap Forward Torque Box Assembly  
 Figure 2 (Sheet 12)

**57-53-27**

ILLUSTRATED PARTS LIST  
 01.101 Page 1036T  
 Mar 01/05



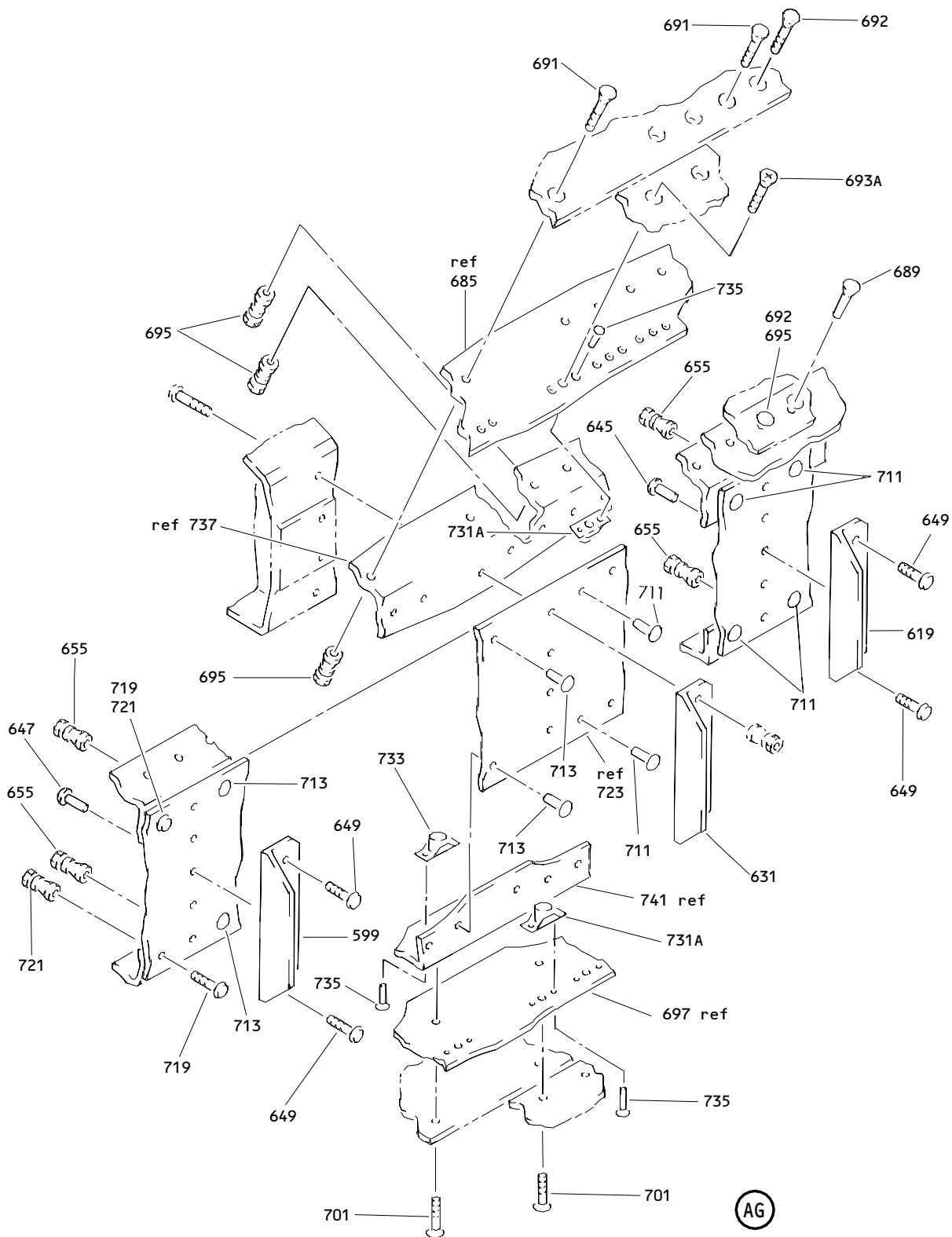


Inboard Trailing Edge Flap Main Flap Forward Torque Box Assembly  
 Figure 2 (Sheet 14)

**57-53-27**

ILLUSTRATED PARTS LIST  
 01.101 Page 1036V  
 Mar 01/05

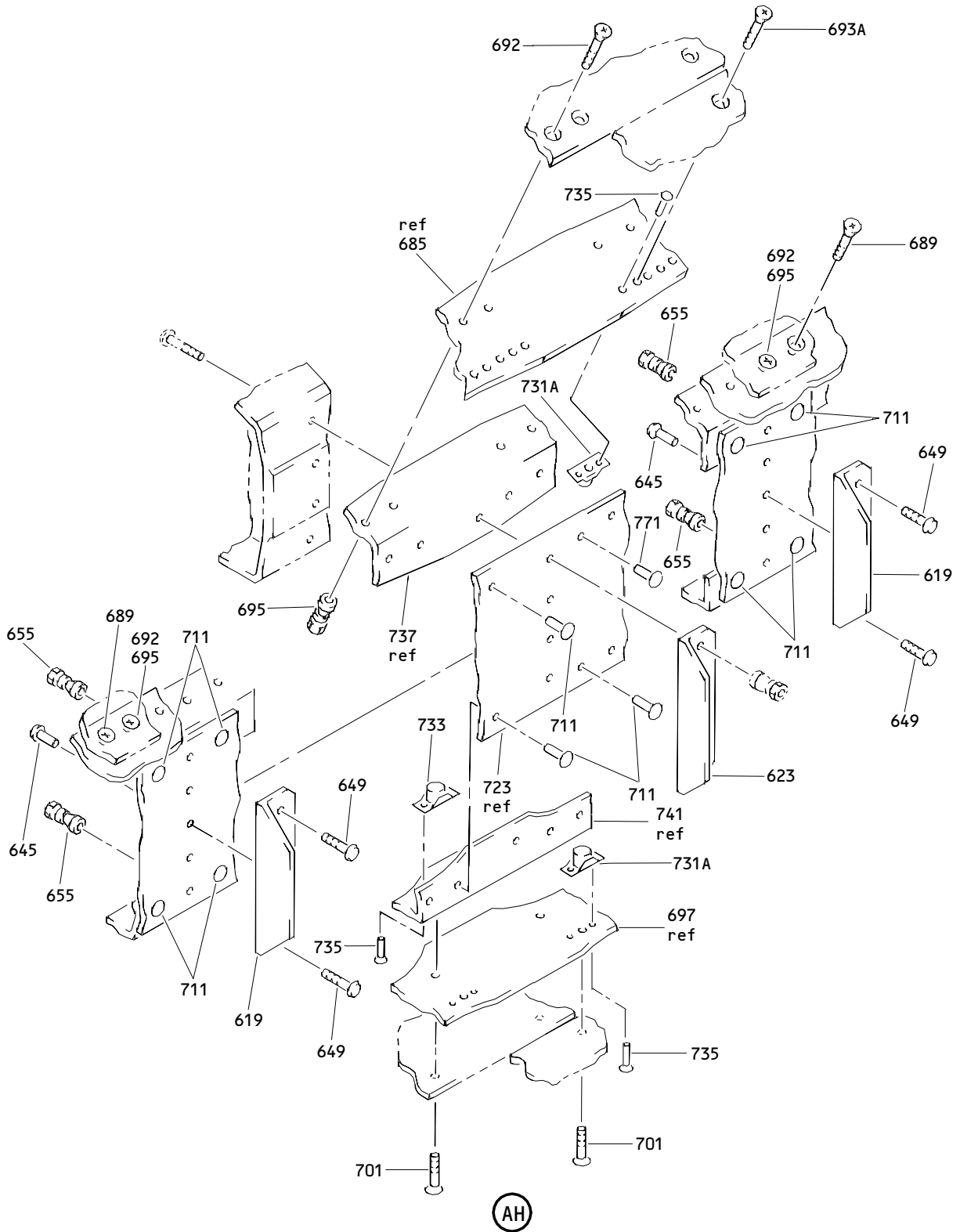




Inboard Trailing Edge Flap Main Flap Forward Torque Box Assembly  
Figure 2 (Sheet 15)

**57-53-27**

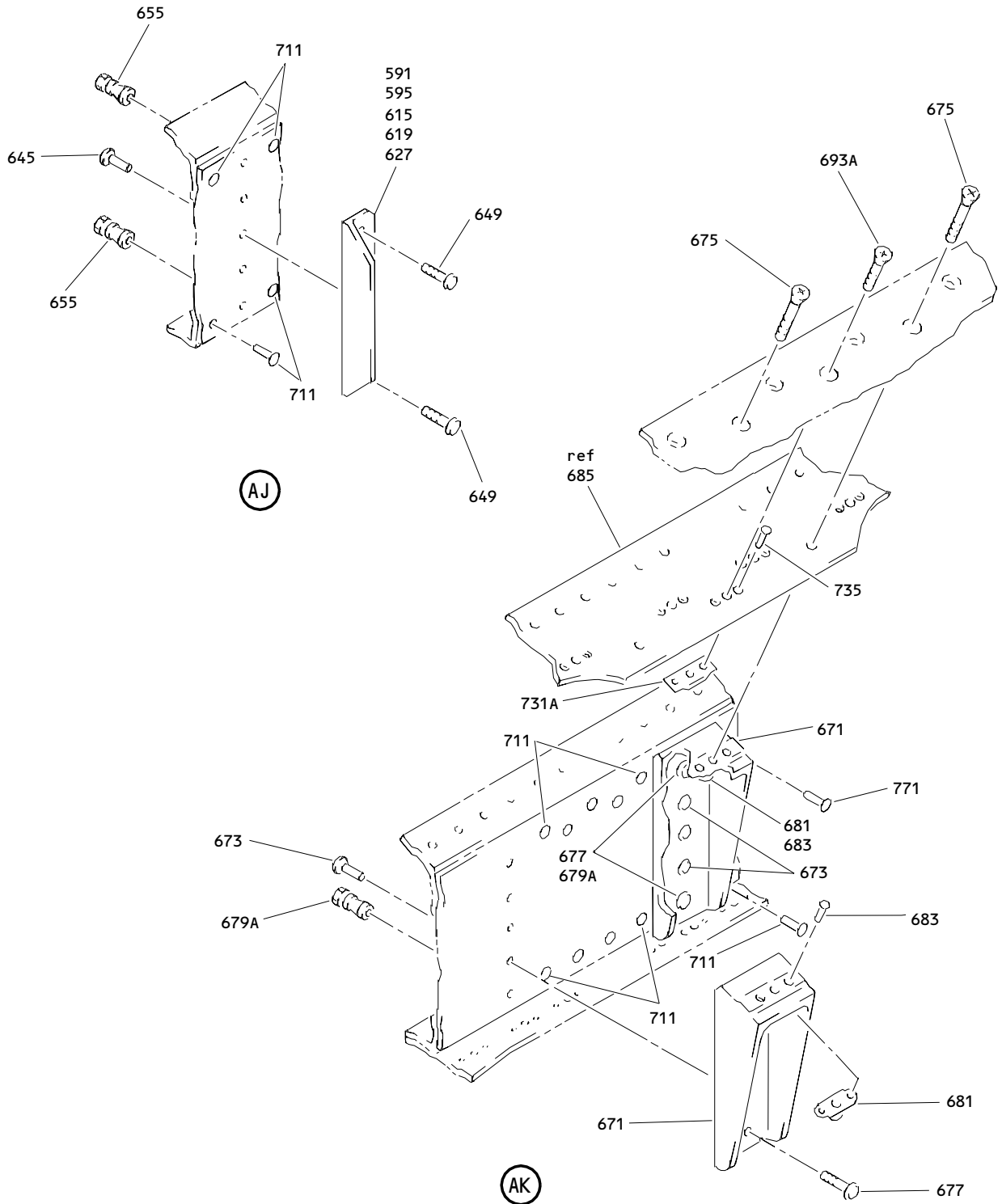
ILLUSTRATED PARTS LIST  
01.101 Page 1036W  
Mar 01/05



Inboard Trailing Edge Flap Main Flap Forward Torque Box Assembly  
 Figure 2 (Sheet 16)

**57-53-27**

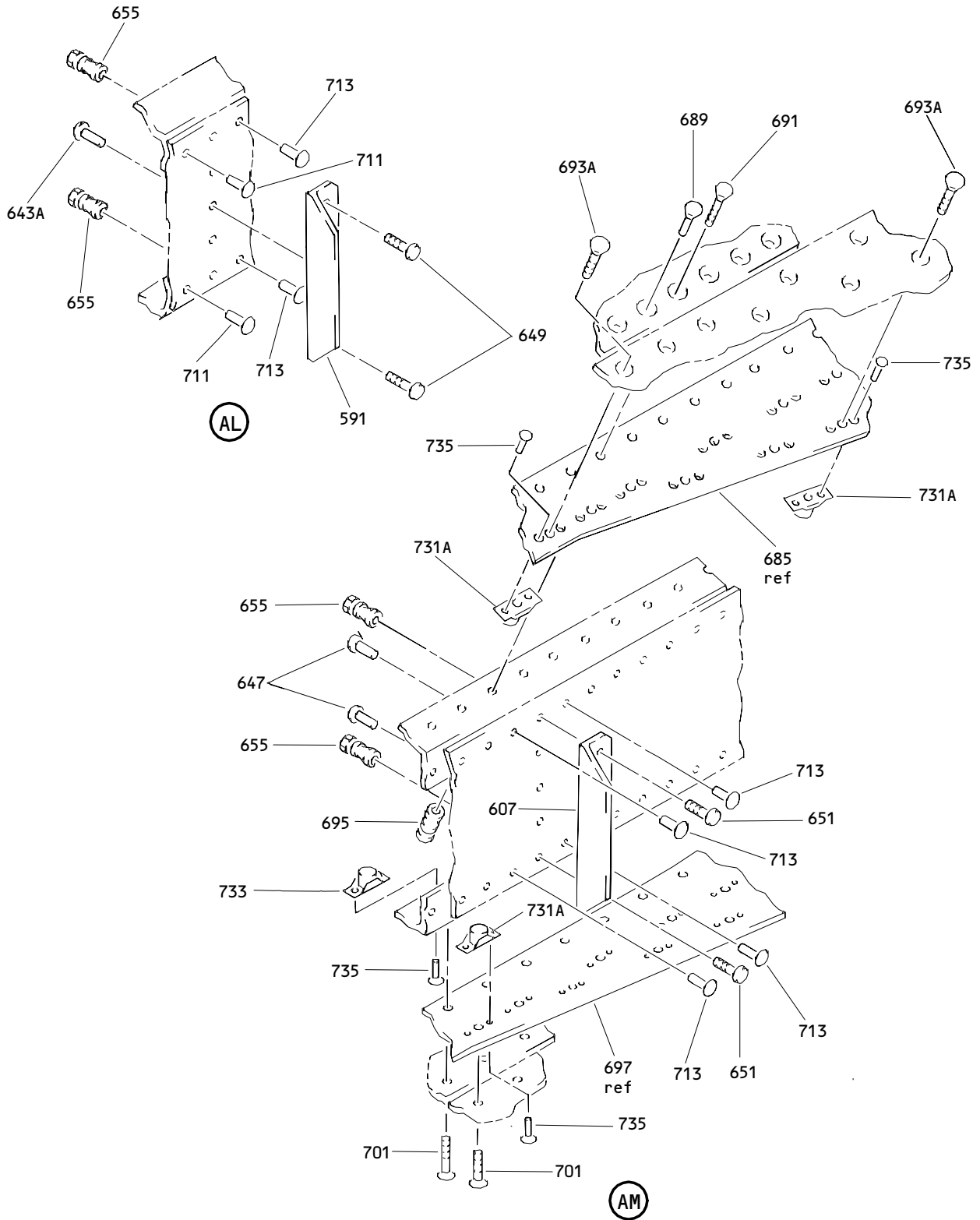
ILLUSTRATED PARTS LIST  
 01.101 Page 1036X  
 Mar 01/05



Inboard Trailing Edge Flap Main Flap Forward Torque Box Assembly  
 Figure 2 (Sheet 17)

**57-53-27**

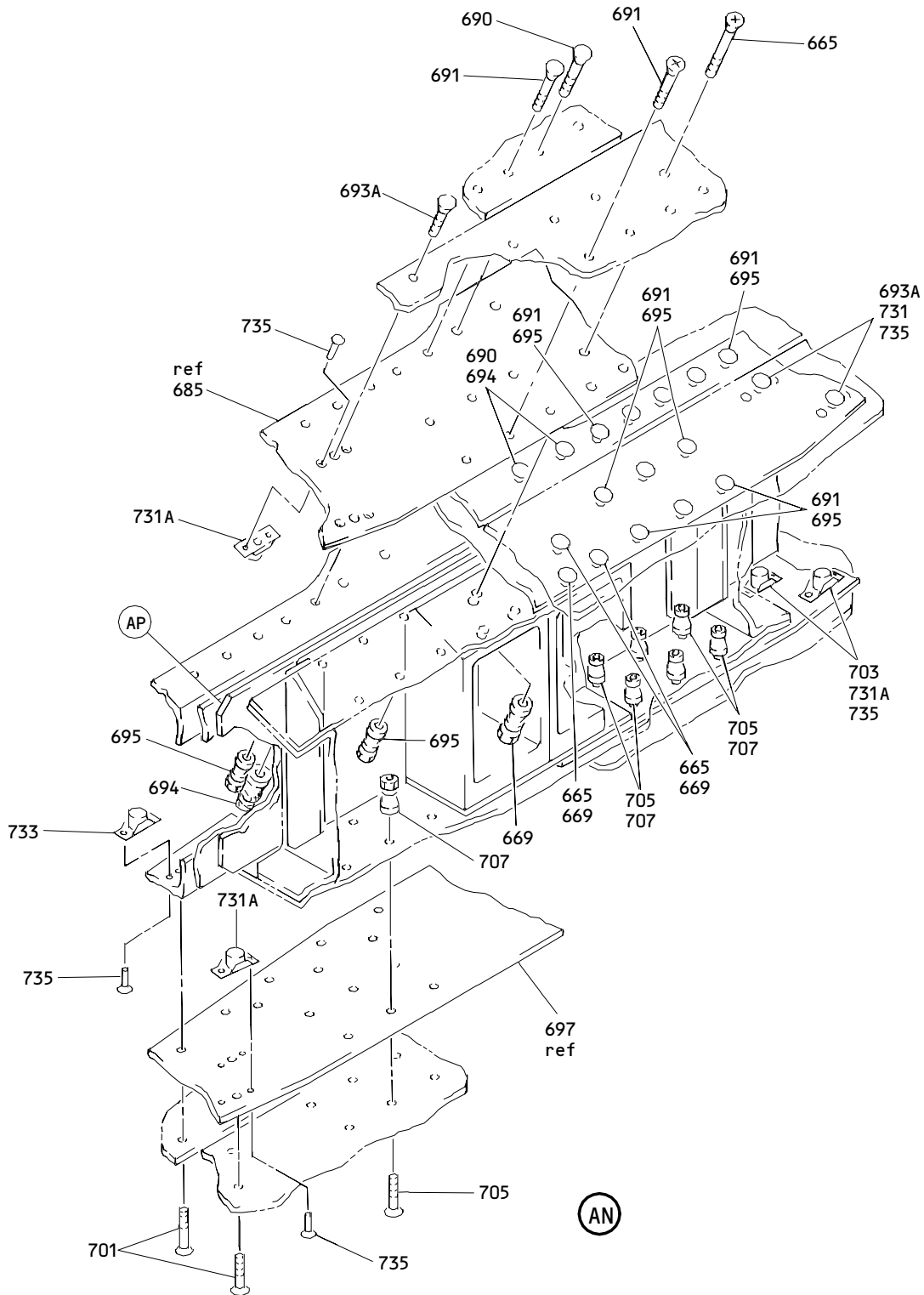
ILLUSTRATED PARTS LIST  
 01.101 Page 1036Y  
 Mar 01/05



Inboard Trailing Edge Flap Main Flap Forward Torque Box Assembly  
 Figure 2 (Sheet 18)

**57-53-27**

ILLUSTRATED PARTS LIST  
 01.101 Page 1036Z  
 Mar 01/05



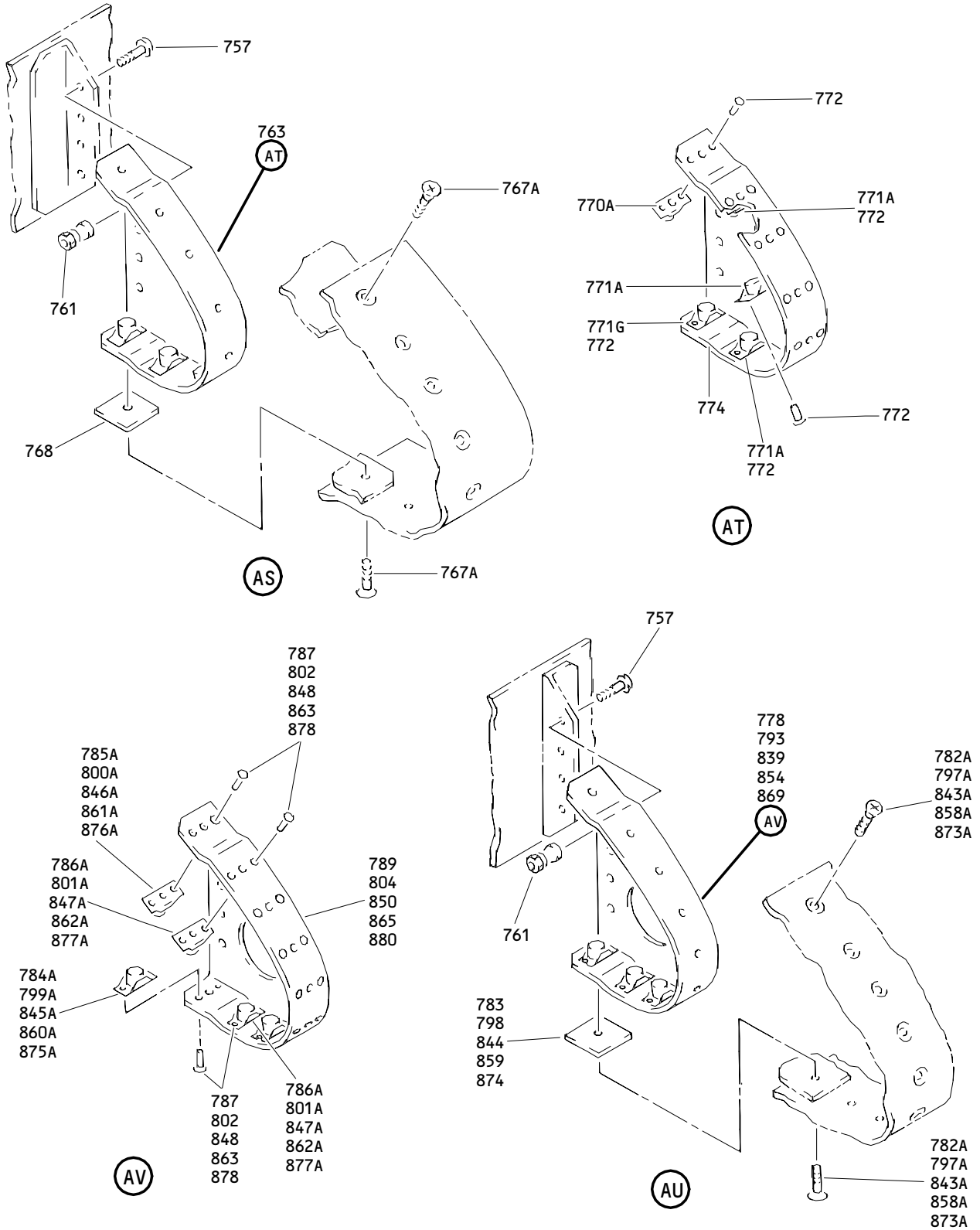
Inboard Trailing Edge Flap Main Flap Forward Torque Box Assembly  
Figure 2 (Sheet 19)

**57-53-27**

ILLUSTRATED PARTS LIST  
01.101 Page 1037  
Mar 01/05





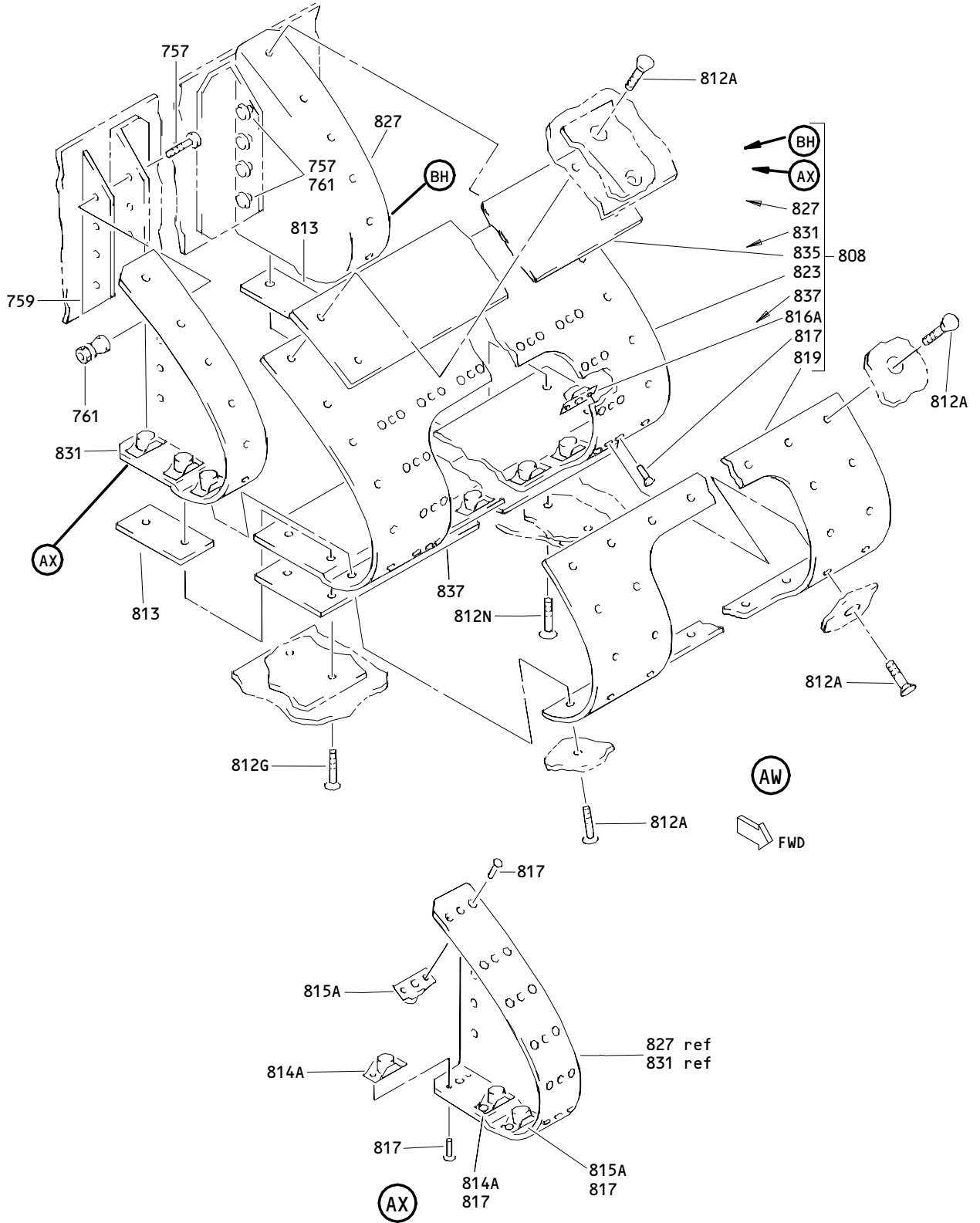


Inboard Trailing Edge Flap Main Flap Forward Torque Box Assembly  
 Figure 2 (Sheet 22)

**57-53-27**

ILLUSTRATED PARTS LIST  
 01.101 Page 1038B  
 Mar 01/05





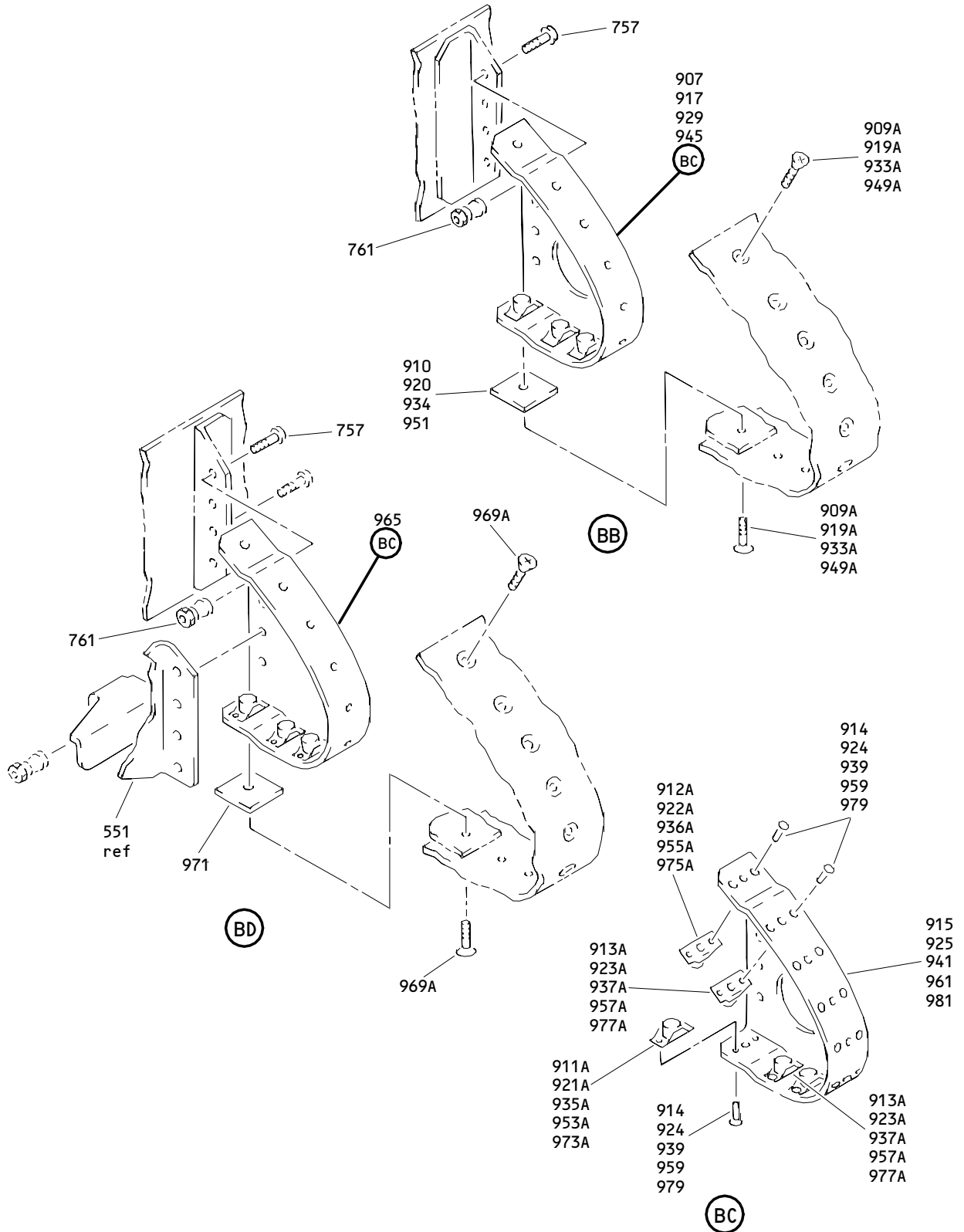
Inboard Trailing Edge Flap Main Flap Forward Torque Box Assembly  
 Figure 2 (Sheet 23)

**57-53-27**

ILLUSTRATED PARTS LIST  
 01.101 Page 1038C  
 Mar 01/05



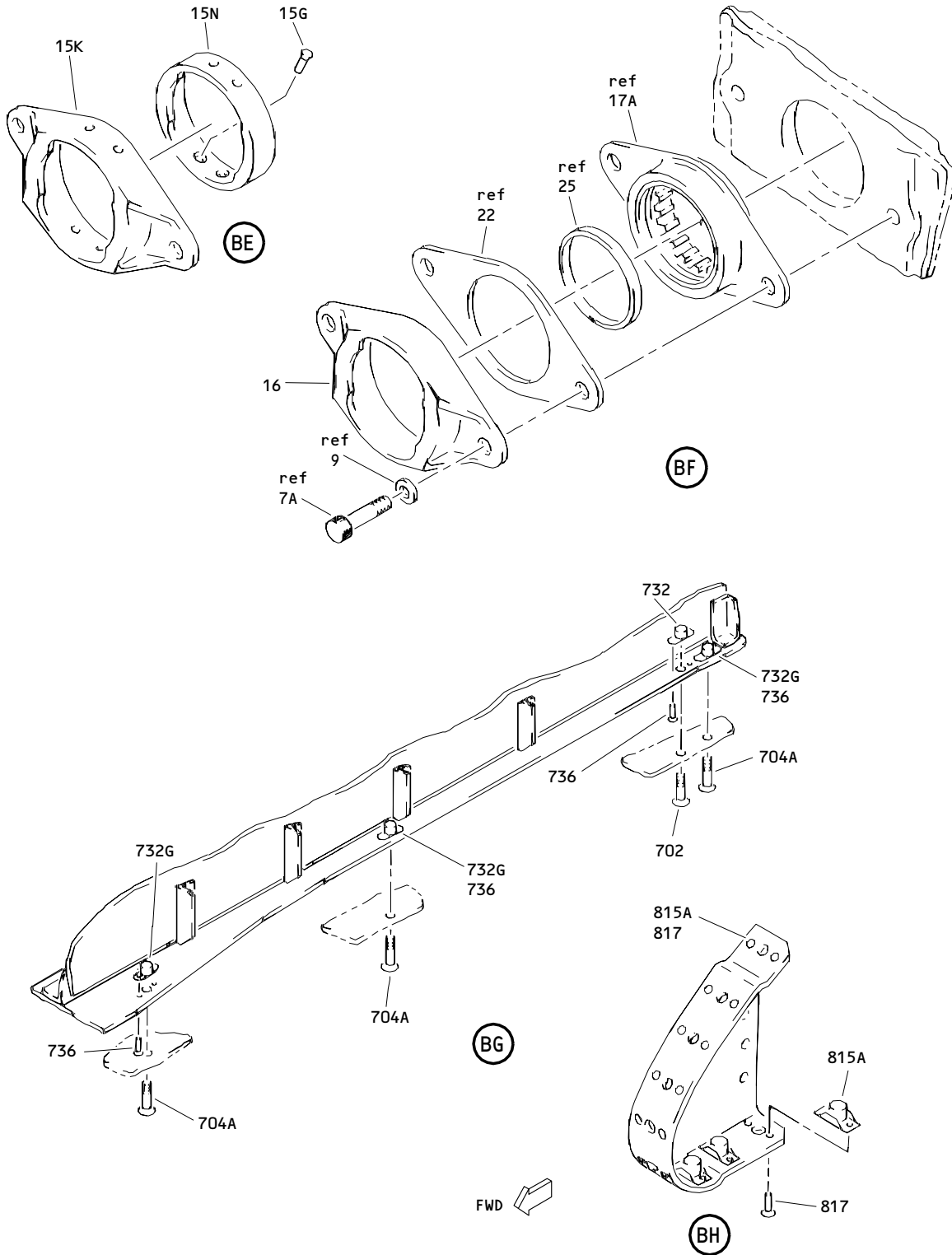
**BOEING**  
 COMPONENT  
 MAINTENANCE MANUAL



Inboard Trailing Edge Flap Main Flap Forward Torque Box Assembly  
 Figure 2 (Sheet 25)

**57-53-27**

ILLUSTRATED PARTS LIST  
 01.101 Page 1038E  
 Mar 01/05



Inboard Trailing Edge Flap Main Flap Forward Torque Box Assembly  
 Figure 2 (Sheet 26)

**57-53-27**

ILLUSTRATED PARTS LIST  
 01.101 Page 1038F  
 Mar 01/05


**BOEING**  
 COMPONENT  
 MAINTENANCE MANUAL

FIG. & ITEM	PART NO.	AIRLINE PART NUMBER	NOMENCLATURE 1234567	EFF CODE	QTY PER ASSY
02-					
-1	113T2207-1		DELETED		
-1B	113T2207-19		DELETED		
-1C	113T2207-21		DELETED		
-5	113T2207-2		DELETED		
-5B	113T2207-20		DELETED		
-5C	113T2207-22		DELETED		
-5D	113T2207-21		DELETED		
-5E	113T2207-5013		BOX ASSY-INBD TE FLAP MAIN FLAP FWD TORQUE (LH)	E	RF
-5F	113T2207-5015		DELETED		
-5G	113T2207-5001		BOX ASSY-INBD TE FLAP MAIN FLAP FWD TORQUE (LH)	A,B	RF
-5H	113T2207-5005		BOX ASSY-INBD TE FLAP MAIN FLAP FWD TORQUE (LH)	A,B	RF
-5J	113T2207-5007		BOX ASSY-INBD TE FLAP MAIN FLAP FWD TORQUE (LH)	A,B	RF
-5K	113T2207-5009		BOX ASSY-INBD TE FLAP MAIN FLAP FWD TORQUE (LH)	A,B	RF
-5L	113T2207-5003		BOX ASSY-INBD TE FLAP MAIN FLAP FWD TORQUE (LH)	A,B	RF
-5M	113T2207-5011		DELETED		
-5N	113T2207-25		BOX ASSY-INBD TE FLAP MAIN FLAP FWD TORQUE (LH)	F,J,L ,N,Q, S	1
-5P	113T2207-27		BOX ASSY-INBD TE FLAP MAIN FLAP FWD TORQUE (LH)	N,S,U ,W	1
-6	113T2207-5002		BOX ASSY-INBD TE FLAP MAIN FLAP FWD TORQUE (RH)	C,D	RF
-6A	113T2207-5006		BOX ASSY-INBD TE FLAP MAIN FLAP FWD TORQUE (RH)	C,D	RF
-6B	113T2207-5008		BOX ASSY-INBD TE FLAP MAIN FLAP FWD TORQUE (RH)	C,D	RF
-6C	113T2207-5010		BOX ASSY-INBD TE FLAP MAIN FLAP FWD TORQUE (RH)	C,D	RF
-6D	113T2207-5004		BOX ASSY-INBD TE FLAP MAIN FLAP FWD TORQUE (RH)	C,D	RF
-6E	113T2207-5012		DELETED		
-6F	113T2207-22		DELETED		
-6G	113T2207-5014		BOX ASSY-INBD TE FLAP MAIN FLAP FWD TORQUE (RH)	G	RF
-6H	113T2207-5016		DELETED		
-6J	113T2207-26		BOX ASSY-INBD TE FLAP MAIN FLAP FWD TORQUE (RH)	H,K,M ,P,R, T	RF

57-53-27

 ILLUSTRATED PARTS LIST  
 01.101 Page 1038G  
 Mar 01/05

FIG. & ITEM	PART NO.	AIRLINE PART NUMBER	NOMENCLATURE 1234567	EFF CODE	QTY PER ASSY
02- -6K	113T2207-28		BOX ASSY-INBD TE FLAP MAIN FLAP FWD TORQUE (RH)	P,T,V ,X	RF
7A	BACB30LT10K31		.BOLT	A-X	2
9	BACW10BP10C		.WASHER	A-X	2
11	BACW10BP10P		.WASHER	A-X	AR
13	BMN4122AD3-10		.NUT- (V97928) (SPEC BACN10JC10) (OPT BMN4122A10 (V85495)) (OPT H10-10BAC (V15653)) (OPT RMLH9074-10 (V72962)) (OPT 48FT1018 (V56878))	A-X	2
15	113T2254-1		DELETED		
15B	113T2254-5		.FITTING ASSY- (USED ON ITEMS 5G, 5H, 5J, 6, 6A, 6B) (USED WITH ITEM 21)	A-D	1
15G	BACR15CE5KE		..RIVET- (SIZE DETERMINE ON INST)	A-D	4
15K	113T2254-1		..FITTING	A-D	1
15N	113T2254-4		..FITTING	A-D	1
16	113T2254-3		.FITTING- (USED ON ITEMS 5K, 5L, 6C, 6D)	A-X	1
17	113T2253-2		DELETED		
17A	113T2253-3		.BUSHING ASSY-(MATCHED SET)	A-X	1

# 57-53-27

 ILLUSTRATED PARTS LIST  
 01.101 Page 1038H  
 Mar 01/05


**BOEING**  
 COMPONENT  
 MAINTENANCE MANUAL

FIG. & ITEM	PART NO.	AIRLINE PART NUMBER	NOMENCLATURE 1234567	EFF CODE	QTY PER ASSY
02-18	113T2253-1		..BUSHING	A-X	1
19	113T2253-1		DELETED		
19A	113T2253-2		..BUSHING	A-X	1
21	113T2110-1		.SHIM- (USED ON ITEMS 5G, 5H, 5J, 6, 6A, 6B) (USED WITH ITEM 15A)	A-D	3
22	113T2110-2		.SHIM	A-X	1
23	113T1256-35		.SEAL- (OPT ITEM 23A)	A-X	1
-23A	113T1256-45		.SEAL- (OPT ITEM 23)	A-X	1
25	113T1256-36		.SEAL- (OPT ITEM 25A)	A-X	1
-25A	113T1256-47		.SEAL- (OPT ITEM 25)	A-X	1
27	MS24665-448		.PIN-COTTER	A-X	1
29	113T2251-1		.TUBE	A-D	1
-29A	113T2251-3		.TUBE	E-X	1
31	113T2106-10		.WASHER	A-X	1
33	MS21025-32		.NUT	A-X	1
35	113T2250-1		.TUBE ASSY- (PRE SB 767-57A0066R2)	A-X	1
-35A	113T2250-5		.TUBE ASSY- (OPT ITEMS 35B, 35C) (POST SB 767-57A0066R2)	A-X	1
-35B	113T2250-7		.TUBE ASSY- (OPT ITEMS 35A, 35C) (POST SB 767-57A0066R3)	A-X	1
-35C	113T2250-401		.TUBE ASSY- (OPT ITEMS 35A, 35B) (POST SB 767-57A0066R3)	A-X	1

57-53-27

 ILLUSTRATED PARTS LIST  
 01.101 Page 1038I  
 Mar 01/05

FIG. & ITEM	PART NO.	AIRLINE PART NUMBER	NOMENCLATURE 1234567	EFF CODE	QTY PER ASSY
02-					
37	113T2231-1		..BUSHING	A-X	1
39	113T2231-2		..BUSHING	A-X	1
41	113T2250-3		..TUBE-TORQUE (USED ON ITEMS 35, 35A)	A-X	1
-41A	113T2250-8		..TUBE-TORQUE (USED ON ITEM 35B)	A-X	1
-41B	113T2250-403		..TUBE-TORQUE (USED ON ITEM 35C)	A-X	1
-42	113T2230-1		.RIB INSTL- (USED ON ITEMS 5G, 5H)	A,B	1
-42A	113T2230-2		DELETED		
-42B	113T2230-5		.RIB INSTL- (USED ON ITEMS 5J, 5K, 5L)	A,B,E ,F,J, L,N,Q ,S	1
-43	113T2230-2		.RIB INSTL- (USED ON ITEMS 6, 6A)	C,D	1
-43A	113T2230-6		.RIB INSTL- (USED ON ITEMS 6B, 6C, 6D)	C,D,G ,H,K, M,P,R ,T	1
43G	BACR15CE3M		..RIVET- (USED ON ITEMS 42, 43) (SIZE DETERMINE ON INST)	A-D	40
-44	BACR15BA3AD		..RIVET- (SIZE DETERMINE ON INST) (USED ON ITEMS 42B, 43A)	A-X	40
45	BACN10JQ42		..NUTPLATE	A-X	1
46	BACN10JQ43CM		..NUTPLATE- (USED ON ITEMS 42, 43)	A-D	4
-47	BACN10JQ43		..NUTPLATE- (USED ON ITEMS 42B, 43A)	A-X	4

57-53-27

 ILLUSTRATED PARTS LIST  
 01.101 Page 1038J  
 Mar 01/05



**BOEING**  
 COMPONENT  
 MAINTENANCE MANUAL

FIG. & ITEM	PART NO.	AIRLINE PART NUMBER	NOMENCLATURE 1234567	EFF CODE	QTY PER ASSY
02-48	BACN10JQ44CM		..NUTPLATE- (USED ON ITEMS 42, 43)	A-D	3
-49	BACN10JQ44		..NUTPLATE- (USED ON ITEMS 42B, 43A)	A-X	3
50	NS103191SE02-3		..NUTPLATE- (V80539) (SPEC BACN10KE3B3CM) (OPT F51747-3-3DL (V15653)) (OPT BRFR220C3-3M (V52828)) (OPT 104F9213-3-3 (V72962)) (USED ON ITEMS 42, 43)	A-D	10
-51	NS103191-02-2		..NUTPLATE- (V80539) (SPEC BACN10KE3B2) (OPT F51750-3-2 (V15653)) (OPT RMF9213-2-3 (V72962)) (OPT BRFR220A3-2 (V52825)) (USED ON ITEMS 42B, 43A)	A-X	10
51G	NS103191SE02-3		ATTACHING PARTS ..NUTPLATE- (V80539) (SPEC BACN10KE3B3CM) (OPT F51747-3-3DL (V15653)) (OPT BRFR220C3-3M (V52828)) (OPT 104F9213-3-3 (V72962)) (USED ON ITEMS 42, 43)	A-D	2
-51N	BACN10JQ44		..NUTPLATE- (USED ON ITEMS 42B, 43A)	A-X	2
52	113T2237-1		-----*----- ..RIB ASSY- (USED ON ITEM 42)	A,B	1

**57-53-27**

ILLUSTRATED PARTS LIST  
 01.101 Page 1038K  
 Mar 01/05

FIG. & ITEM	PART NO.	AIRLINE PART NUMBER	NOMENCLATURE 1234567	EFF CODE	QTY PER ASSY
02-52A	113T2237-9		..RIB ASSY- (USED ON ITEM 42B)	A,B,E ,F,J, L,N,Q ,S	1
-53	113T2237-2		..RIB ASSY- (USED ON ITEM 43)	C,D	1
-53A	113T2237-10		..RIB ASSY- (USED ON ITEM 43A)	C,D,G ,H,K, M,P,R ,T	1
54	HL11VAZ8-8		ATTACHING PARTS ..BOLT- (V56878) (SPEC BACB30NW8K8) (OPT B30NW8K8 (V97928)) (OPT HL11VAZ8-8 (V73197)) (OPT HL11VAZ8-8 (V92215)) (OPT HL11VAZ8-8 (V97928)) (OPT L803-8K8 (V06725)) (OPT HL11VAZ8-8 (VOPTK6)) (OPT HL11VAZ8-8 (V60516))	A-X	5
55	HL11VAZ8-6		..BOLT- (V60516) (SPEC BACB30NW8K6) (OPT B30NW8K6 (V97928)) (OPT HL11VAZ8-6 (V73197)) (OPT HL11VAZ8-6 (V92215)) (OPT HL11VAZ8-6 (V97928)) (OPT L803-8K6 (V06725)) (OPT HL11VAZ8-6 (VOPTK6)) (OPT HL11VAZ8-6 (V56878))	A-X	1

# 57-53-27

 ILLUSTRATED PARTS LIST  
 01.101 Page 1038L  
 Mar 01/05


**BOEING**  
 COMPONENT  
 MAINTENANCE MANUAL

FIG. & ITEM	PART NO.	AIRLINE PART NUMBER	NOMENCLATURE 1234567	EFF CODE	QTY PER ASSY
02-56	HL11VAZ6-6		..BOLT- (V60516) (SPEC BACB30NW6K6) (OPT B30NW6K6 (V97928)) (OPT HL11VAZ6-6 (V73197)) (OPT HL11VAZ6-6 (V92215)) (OPT HL11VAZ6-6 (V97928)) (OPT L803-6K6 (V06725)) (OPT HL11VAZ6-6 (V0PTK6)) (OPT HL11VAZ6-6 (V56878))	A-X	2
57	HL11VAZ6-4		..BOLT- (V60516) (SPEC BACB30NW6K4) (OPT HL11V6-4 (V92215)) (OPT HL11V6-4 (V97928)) (OPT L803-6-4 (V06725)) (OPT B30NW6K4 (V97928)) (OPT HL11VAZ6-4 (V73197)) (OPT HL11VAZ6-4 (V92215)) (OPT HL11VAZ6-4 (V56878))	A-X	18

57-53-27

 ILLUSTRATED PARTS LIST  
 01.101 Page 1038M  
 Mar 01/05

FIG. & ITEM	PART NO.	AIRLINE PART NUMBER	NOMENCLATURE 1234567	EFF CODE	QTY PER ASSY
02-59	HL10VAZ8-7		..BOLT- (V60516) (SPEC BACB30MY8K7) (OPT B30MY8K7 (V97928))	A-X	2
61	HL10VAZ6-3		..BOLT- (V60516) (SPEC BACB30MY6K3) (OPT B30MY6K3 (V97928))	A-X	4
63	HL10VAZ6-5		..BOLT- (V60516) (SPEC BACB30MY6K5) (OPT B30MY6K5 (V97928))	A-X	4
64	L8006K6		..BOLT- (V06725) (SPEC BACB30MY6K6) (OPT HL10VAZ6-6 (V0PTK6))	A-X	4
64G	HL79-8		..COLLAR- (V5M902) (SPEC BACC30M8) (OPT HL79-8 (V73197)) (OPT HL79-8 (V92215)) (OPT 66014-8 (V56878)) (OPT HL79-8 (V56878))	A-X	2
64N	HL79-6		..COLLAR- (V5M902) (SPEC BACC30M6) (OPT HL79-6 (V73197)) (OPT HL79-6 (V92215)) (OPT 66014-6 (V56878)) (OPT HL79-6 (V56878))	A-X	12

# 57-53-27

 ILLUSTRATED PARTS LIST  
 01.101 Page 1038N  
 Mar 01/05


**BOEING**  
 COMPONENT  
 MAINTENANCE MANUAL

FIG. & ITEM	PART NO.	AIRLINE PART NUMBER	NOMENCLATURE 1234567	EFF CODE	QTY PER ASSY
02-					
65	BACB30NN4K9		..BOLT	A-X	8
65G	BACB30NN4K9		..BOLT- (USED ON ITEMS 42B, 43A)	A-X	2
66	BACB30NN3K6		..BOLT	A-X	10
66G	BACB30NN3K6		..BOLT- (USED ON ITEMS 42, 43)	A-D	2
67	BACS40R08C27F		..SHIM	A-X	1
69	BACS40R09C27F		..SHIM	A-X	2
71	BACS40R10C12F		..SHIM	A-X	1
73	BACS40R11C12F		..SHIM	A-X	3
75	BACS40R11C27F		..SHIM	A-X	1
77	BACS40R27C29F		..SHIM	A-X	1
79	BACS40R29C30F		..SHIM- (USED ON ITEMS 42, 43)	A-D	1
-80	BACS40R29C58F		..SHIM- (USED ON ITEMS 42B, 43A)	A-X	1
81	HL97DU6		..COLLAR- (V73197) (SPEC BACC30AB6S) (OPT HL97DU6 (V92215)) (OPT HL97DU6 (V56878)) (USED ON ITEMS 42, 43)	A-D	20
83	HL97DU8		..COLLAR- (V73197) (SPEC BACC30AB8S) (OPT HL97DU8 (V92215)) (OPT HL97DU8 (V56878)) (USED ON ITEMS 42, 43)	A-D	4

57-53-27

 ILLUSTRATED PARTS LIST  
 01.101 Page 10380  
 Mar 01/05

FIG. & ITEM	PART NO.	AIRLINE PART NUMBER	NOMENCLATURE 1234567	EFF CODE	QTY PER ASSY
02- -85	HL79-6		..COLLAR- (V5M902) (SPEC BACC30M6) (OPT HL79-6 (V73197)) (OPT HL79-6 (V92215)) (OPT 66014-6 (V56878)) (OPT HL79-6 (V56878)) (USED ON ITEMS 42B, 43A)	A-X	20
-85G	HL79-8		..COLLAR- (V5M902) (SPEC BACC30M8) (OPT HL79-8 (V73197)) (OPT HL79-8 (V92215)) (OPT 66014-8 (V56878)) (OPT HL79-8 (V56878)) (USED ON ITEMS 42B, 43A)	A-X	4
86 87	BACC30M6 HL79-8		DELETED ..COLLAR- (V5M902) (SPEC BACC30M8) (OPT HL79-8 (V73197)) (OPT HL79-8 (V92215)) (OPT 66014-8 (V56878)) (OPT HL79-8 (V56878))	A-X	1
87G	HL97DU8		..COLLAR- (V73197) (SPEC BACC30AB8S) (OPT HL97DU8 (V92215)) (OPT HL97DU8 (V56878)) (USED ON ITEMS 42, 43)	A-D	1

# 57-53-27

 ILLUSTRATED PARTS LIST  
 01.101 Page 1038P  
 Mar 01/05


**BOEING**  
 COMPONENT  
 MAINTENANCE MANUAL

FIG. & ITEM	PART NO.	AIRLINE PART NUMBER	NOMENCLATURE 1234567	EFF CODE	QTY PER ASSY
02- -88	HL79-8		..COLLAR- (V5M902) (SPEC BACC30M8) (OPT HL79-8 (V73197)) (OPT HL79-8 (V92215)) (OPT 66014-8 (V56878)) (OPT HL79-8 (V56878)) (USED ON ITEMS 42B, 43A) -----*-----	A-X	1
99	113T2237-3		...RIB-HALF (USED ON ITEM 52)	A,B	1
-99A	113T2237-11		...RIB-HALF (USED ON ITEM 52A)	A,B,E ,F,J, L,N,Q ,S	1
-101	113T2237-4		...RIB-HALF (USED ON ITEM 53)	C,D	1
-101A	113T2237-12		...RIB-HALF (USED ON ITEM 53A)	C,D,G ,H,K, M,P,R ,T	1
103	113T2237-5		...RIB-HALF (USED ON ITEM 52)	A,B	1
-103A	113T2237-13		...RIB-HALF (USED ON ITEM 52A)	A,B,E ,F,J, L,N,Q ,S	1

57-53-27

 ILLUSTRATED PARTS LIST  
 01.101 Page 1038Q  
 Mar 01/05

FIG. & ITEM	PART NO.	AIRLINE PART NUMBER	NOMENCLATURE 1234567	EFF CODE	QTY PER ASSY
02- -105	113T2237-6		...RIB-HALF (USED ON ITEM 53)	C,D	1
-105A	113T2237-14		...RIB-HALF (USED ON ITEM 53A)	C,D,G ,H,K, M,P,R ,T	1
107	HL10VAZ6-2		ATTACHING PARTS ...BOLT- (V60516) (SPEC BACB30MY6K2) (OPT B30MY6K2 (V97928)) (USED ON ITEMS 52, 53)	A-D	10
108	HL10VAZ6-3		...BOLT- (V60516) (SPEC BACB30MY6K3) (OPT B30MY6K3 (V97928)) (USED ON ITEMS 52A, 53A)	A-X	9
109	HL10VAZ6-3		...BOLT- (V60516) (SPEC BACB30MY6K3) (OPT B30MY6K3 (V97928)) (USED ON ITEMS 52, 53)	A-D	18
-110	HL10VAZ6-4		...BOLT- (V60516) (SPEC BACB30MY6K4) (OPT B30MY6K4 (V97928)) (USED ON ITEMS 52A, 53A)	A-X	18
111	HL10VAZ6-5		...BOLT- (V60516) (SPEC BACB30MY6K5) (OPT B30MY6K5 (V97928))	A-X	4
113 113A	BACB30MY6K8 HL10VAZ8-8		DELETED ...BOLT- (V60516) (SPEC BACB30MY8K8) (OPT B30MY8K8 (V97928))	A-X	4

# 57-53-27

 ILLUSTRATED PARTS LIST  
 01.101 Page 1038R  
 Mar 01/05




**BOEING**  
 COMPONENT  
 MAINTENANCE MANUAL

FIG. & ITEM	PART NO.	AIRLINE PART NUMBER	NOMENCLATURE 1234567	EFF CODE	QTY PER ASSY
02-114	HL10VAZ8-12		...BOLT- (V60516) (SPEC BACB30MY8K12) (OPT B30MY8K12 (V97928))	A-X	4
115	HL97DU6		...COLLAR- (V73197) (SPEC BACC30AB6S) (OPT HL97DU6 (V92215)) (OPT HL97DU6 (V56878)) (USED ON ITEMS 52, 53)	A-D	32
115G	HL79-6		...COLLAR- (V5M902) (SPEC BACC30M6) (OPT HL79-6 (V73197)) (OPT HL79-6 (V92215)) (OPT 66014-6 (V56878)) (OPT HL79-6 (V56878)) (USED ON ITEMS 52A, 53A) (USED WITH ITEM 108)	A-X	9
-115N	HL79-6		...COLLAR- (V5M902) (SPEC BACC30M6) (OPT HL79-6 (V73197)) (OPT HL79-6 (V92215)) (OPT 66014-6 (V56878)) (OPT HL79-6 (V56878)) (USED ON ITEMS 52A, 53A)	A-X	22

57-53-27

 ILLUSTRATED PARTS LIST  
 01.101 Page 1038S  
 Mar 01/05

FIG. & ITEM	PART NO.	AIRLINE PART NUMBER	NOMENCLATURE 1234567	EFF CODE	QTY PER ASSY
02-116A	HL97DU8		...COLLAR- (V73197) (SPEC BACC30AB8S) (OPT HL97DU8 (V92215)) (OPT HL97DU8 (V56878)) (USED ON ITEMS 52, 53)	A-D	8
-116G	HL79-8		...COLLAR- (V5M902) (SPEC BACC30M8) (OPT HL79-8 (V73197)) (OPT HL79-8 (V92215)) (OPT 66014-8 (V56878)) (OPT HL79-8 (V56878)) (USED ON ITEMS 52A, 53A) -----*	A-X	8
-117	113T2222-1		.SPAR INSTL-MID	A,B	1
-117B	113T2222-25		.SPAR INSTL-MID (FOR DETAILS SEE FIG. 5)	E,F,J ,L,N, Q,S,U ,W	1
-117C	113T2222-29		DELETED		
-119	113T2222-2		.SPAR INSTL-MID	C,D	1
-119B	113T2222-26		.SPAR INSTL-MID (FOR DETAILS SEE FIG. 5)	G,H,K ,M,P, R,T,V ,X	1
-119C	113T2222-30		DELETED		
-119G	113T2222-5001		..SPAR INSTL- (REPLD BY ITEMS 119H, 119J) (FOR DETAILS SEE FIG. 5)	A,B	1
-119H	113T2222-5003		..SPAR INSTL- (REPLS ITEM 119G) (REPLD BY ITEM 119J) (FOR DETAILS SEE FIG. 5)	A,B	1
-119J	113T2222-5005		..SPAR INSTL- (REPLS ITEMS 119G, 119H) (FOR DETAILS SEE FIG. 5)	A,B	1

57-53-27

 ILLUSTRATED PARTS LIST  
 01.101 Page 1038T  
 Mar 01/05


**BOEING**  
 COMPONENT  
 MAINTENANCE MANUAL

FIG. & ITEM	PART NO.	AIRLINE PART NUMBER	NOMENCLATURE 1234567	EFF CODE	QTY PER ASSY
02- -120	113T2222-5002		..SPAR INSTL- (REPLD BY ITEMS 120A, 120B) (FOR DETAILS SEE FIG. 5)	C,D	1
-120A	113T2222-5004		..SPAR INSTL- (REPLS ITEM 120) (REPLD BY ITEM 120B) (FOR DETAILS SEE FIG. 5)	C,D	1
-120B	113T2222-5006		..SPAR INSTL- (REPLS ITEMS 120, 120A) (FOR DETAILS SEE FIG. 5)	C,D	1
121	113T2222-15		DELETED		
-123	113T2222-16		DELETED		
125	113T2222-17		DELETED		
-127	113T2222-18		DELETED		
			ATTACHING PARTS		
129	BACR15FT6KE		DELETED		
131	BACB30MY8K6		DELETED		
133	BACB30MY8K5		DELETED		
135	BACC30M8		DELETED		
137	113T2222-13		DELETED		
-139	113T2222-14		DELETED		
141	BACR15FT6KE		DELETED		
143	BACB30MY6K5		DELETED		
145	BACB30MY6K4		DELETED		
147	BACC30M6		DELETED		
149	113T2222-11		DELETED		
-151	113T2222-12		DELETED		
153	BACR15FT6KE		DELETED		
155	BACB30MY6K5		DELETED		
157	BACB30MY6K4		DELETED		
159	BACC30M6		DELETED		
161	113T2222-9		DELETED		
-163	113T2222-10		DELETED		
165	BACR15FT6KE		DELETED		
167	BACB30MY6K5		DELETED		
169	BACB30MY6K4		DELETED		
171	BACC30M6		DELETED		
173	113T2258-1		DELETED		
-175	113T2258-2		DELETED		
177	BACB30NW8K8		DELETED		
179	BACB30MY6K6		DELETED		
181	BACB30MY6K5		DELETED		
183	BACB30MY6K3		DELETED		

57-53-27

 ILLUSTRATED PARTS LIST  
 01.101 Page 1038U  
 Mar 01/05

FIG. & ITEM	PART NO.	AIRLINE PART NUMBER	NOMENCLATURE 1234567	EFF CODE	QTY PER ASSY
02-					
185	BACB30MY6K4		DELETED		
187	BACS40R07C16F		DELETED		
189	BACS40R13D16F		DELETED		
191	BACC30M8		DELETED		
193	BACC30M6		DELETED		
195	113T2226-1		DELETED		
-197	113T2226-2		DELETED		
199	BACB30MY6K4		DELETED		
201	BACB30MY8K7		DELETED		
203	BACB30NN4K9		DELETED		
205	BACF3T02C10F22		DELETED		
-206	BACF3T07F10F22		DELETED		
207	BACC30M8		DELETED		
209	BACC30M6		DELETED		
215	113T2222-5		DELETED		
-215A	113T2222-21		DELETED		
-215B	113T2222-23		DELETED		
-217	113T2222-6		DELETED		
-217A	113T2222-22		DELETED		
-217B	113T2222-24		DELETED		
219	BACR15CE6KE		DELETED		
221	BACB30NW8K8		DELETED		
223	BACB30NW6K8		DELETED		
225	BACB30NW6K6		DELETED		
227	BACC30M8		DELETED		
229	BACC30M6		DELETED		
231	113T2222-7		DELETED		
-231A	113T2222-21		DELETED		
-233	113T2222-8		DELETED		
-233A	113T2222-22		DELETED		

57-53-27

 ILLUSTRATED PARTS LIST  
 01.101 Page 1038V  
 Mar 01/05


**BOEING**  
 COMPONENT  
 MAINTENANCE MANUAL

FIG. & ITEM	PART NO.	AIRLINE PART NUMBER	NOMENCLATURE 1234567	EFF CODE	QTY PER ASSY
02-					
235	BACB30NN4K9		DELETED		
237	BACB30NN3K6		DELETED		
239	BACR15FT8AD		DELETED		
241	BACR15FT6AD		DELETED		
243	BACR15FT6KE		DELETED		
245	BACB30MY6K4		DELETED		
247	BACB30MY6K3		DELETED		
249	BACB30MY8K6		DELETED		
251	BACC30M6		DELETED		
253	BACC30M8		DELETED		
255	113T2222-3		DELETED		
257	BACN10JQ43		DELETED		
259	BACN10KE3E2		DELETED		
261	BACN10JQ42		DELETED		
263	BACN10KE3B2		DELETED		
265	BACR15BA3KE		DELETED		
267	113T2223-5		DELETED		
-267A	113T2223-11		DELETED		
-269	113T2223-6		DELETED		
-269A	113T2223-12		DELETED		
271	113T2223-1		DELETED		
-271A	113T2223-9		DELETED		
-273	113T2223-2		DELETED		
-273A	113T2223-10		DELETED		
275	113T2223-3		DELETED		
-275A	113T2223-7		DELETED		
-277	113T2223-4		DELETED		
-277A	113T2223-8		DELETED		
-279	113T2348-1		.RIB INSTL- (USED ON ITEMS 5G, 5H, 5J, 5K)	A,B	1

57-53-27

 ILLUSTRATED PARTS LIST  
 01.101 Page 1038W  
 Mar 01/05

FIG. & ITEM	PART NO.	AIRLINE PART NUMBER	NOMENCLATURE 1234567	EFF CODE	QTY PER ASSY
02- -279A	113T2348-5		.RIB INSTL- (USED ON ITEM 5L)	A,B	1
-279B	113T2348-9		.RIB INSTL	E,F,J L,N, Q,S,U W	1
-281	113T2348-2		.RIB INSTL- (USED ON ITEMS 6, 6A, 6B, 6C)	C,D	1
-281A	113T2348-6		.RIB INSTL- (USED ON ITEM 6D)	C,D	1
-281B	113T2348-10		.RIB INSTL	G,H,K M,P, R,T,V X	1
282	BACR15BA3AD		..RIVET- (SIZE DETERMINE ON INST)	A-X	40
283	BACN10JQ42		..NUTPLATE	A-X	8
284	NS103191-02-3		..NUTPLATE- (V80539) (SPEC BACN10KE3B3) (OPT F51750-3-3 (V15653)) (OPT RMF9213-3-3 (V72962)) (OPT BRFR220A3-3 (V52828))	A-X	12
285	113T2232-1		..RIB ASSY-SPRT (USED ON ITEM 279)	A,B	1
-285A	113T2232-9		..RIB ASSY-SPRT (USED ON ITEM 279A)	A,B,E F,J, L,N,Q S,U, W	1
-286	113T2232-2		..RIB ASSY-SPRT (USED ON ITEM 281)	C,D	1
-286A	113T2232-10		..RIB ASSY-SPRT (USED ON ITEM 281A)	C,D,G H,K, M,P,R T,V, X	1

# 57-53-27

 ILLUSTRATED PARTS LIST  
 01.101 Page 1038X  
 Mar 01/05


**BOEING**  
 COMPONENT  
 MAINTENANCE MANUAL

FIG. & ITEM	PART NO.	AIRLINE PART NUMBER	NOMENCLATURE 1234567	EFF CODE	QTY PER ASSY
02- 287 289	BACR15CE6KE4 HL11VAZ8-8		..RIVET ..BOLT- (V56878) (SPEC BACB30NW8K8) (OPT B30NW8K8 (V97928)) (OPT HL11VAZ8-8 (V73197)) (OPT HL11VAZ8-8 (V92215)) (OPT HL11VAZ8-8 (V97928)) (OPT L803-8K8 (V06725)) (OPT HL11VAZ8-8 (V0PTK6)) (OPT HL11VAZ8-8 (V60516))	A-X A-X	22 4
290 -290A 291	BACB30NW8K8 BACB30NY8K8 HL11VAZ6-8		DELETED DELETED ..BOLT- (V60516) (SPEC BACB30NW6K8) (OPT B30NW6K8 (V97928)) (OPT HL11VAZ6-8 (V73197)) (OPT HL11VAZ6-8 (V92215)) (OPT HL11VAZ6-8 (V97928)) (OPT L803-6K8 (V06725)) (OPT HL11VAZ6-8 (V0PTK6)) (OPT HL11VAZ6-8 (V56878))	A-X	4
293	HL10VAZ6-8		..BOLT- (V60516) (SPEC BACB30MY6K8) (OPT B30MY6K8 (V97928))	A-X	1

57-53-27

 ILLUSTRATED PARTS LIST  
 01.101 Page 1038Y  
 Mar 01/05

FIG. & ITEM	PART NO.	AIRLINE PART NUMBER	NOMENCLATURE 1234567	EFF CODE	QTY PER ASSY
02-295	HL10VAZ6-7		..BOLT- (V60516) (SPEC BACB30MY6K7) (OPT B30MY6K7 (V97928))	A-X	2
297	L8006K6		..BOLT- (V06725) (SPEC BACB30MY6K6) (OPT HL10VAZ6-6 (VOPTK6))	A-X	11
299	BACB30NN4K9		..BOLT	A-X	8
301	BACB30NN3K6		..BOLT	A-X	12
303	BACS40R09C22F		..SHIM	A-X	2
305	BACS40R10C22F		..SHIM	A-X	1
307	BACS40R08C22F		..SHIM	A-X	3
309	BACS40R40C22F		..SHIM	A-X	1
311	BACS40R11C22F		..SHIM	A-X	2
313	HL79-6		..COLLAR- (V5M902) (SPEC BACC30M6) (OPT HL79-6 (V73197)) (OPT HL79-6 (V92215)) (OPT 66014-6 (V56878)) (OPT HL79-6 (V56878))	A-X	18
315	HL79-8		..COLLAR- (V5M902) (SPEC BACC30M8) (OPT HL79-8 (V73197)) (OPT HL79-8 (V92215)) (OPT 66014-8 (V56878)) (OPT HL79-8 (V56878))	A-X	4

# 57-53-27

 ILLUSTRATED PARTS LIST  
 01.101 Page 1038Z  
 Mar 01/05



**BOEING**  
 COMPONENT  
 MAINTENANCE MANUAL

FIG. & ITEM	PART NO.	AIRLINE PART NUMBER	NOMENCLATURE 1234567	EFF CODE	QTY PER ASSY
02-316	HL79-8		DELETED		
-316A	HL1187-8		DELETED		
320	113T2231-4		DELETED		
321	BACB30LJ3U10		..BOLT	A-X	2
322	BACW10BP3DP		..WASHER	A-X	2
323	BACW10BP3CD		..WASHER	A-X	2
324	BRH10C3M		..NUT- (V52828) (SPEC BACN10JC3CM) (OPT T6C1032JM (V11815)) (OPT 97E02 (V80539)) (OPT 109LH9075-3W (V72962)) (OPT VN303D02 (V92215)) (OPT NS202101SE02 (V80539)) (OPT H01-3BAC (V15653)) -----*-----	A-X	2
324G	113T2231-4		...BUSHING	A-X	1
325	113T2232-3		...RIB-HALF (USED ON ITEM 285)	A,B	1
-325A	113T2232-11		...RIB-HALF (USED ON ITEM 285A)	A,B,E ,F,J, L,N,Q ,S,U, W	1

57-53-27

ILLUSTRATED PARTS LIST  
 01.101 Page 1039  
 Mar 01/05

FIG. & ITEM	PART NO.	AIRLINE PART NUMBER	NOMENCLATURE 1234567	EFF CODE	QTY PER ASSY
02- -326	113T2232-4		...RIB-HALF (USED ON ITEM 286)	C,D	1
-326A	113T2232-12		...RIB-HALF (USED ON ITEM 286A)	C,D,G ,H,K, M,P,R ,T,V, X	1
327	113T2232-5		...RIB-HALF (USED ON ITEM 285)	A,B	1
-327A	113T2232-13		...RIB-HALF (USED ON ITEM 285A)	A,B,E ,F,J, L,N,Q ,S,U, W	1
-329	113T2232-6		...RIB-HALF (USED ON ITEM 286)	C,D	1
-329A	113T2232-14		...RIB-HALF (USED ON ITEM 286A)	C,D,G ,H,K, M,P,R ,T,V, X	1
331	HL10VAZ6-3		ATTACHING PARTS ...BOLT- (V60516) (SPEC BACB30MY6K3) (OPT B30MY6K3 (V97928))	A-X	11
333	HL10VAZ6-4		...BOLT- (V60516) (SPEC BACB30MY6K4) (OPT B30MY6K4 (V97928))	A-X	11

# 57-53-27

 ILLUSTRATED PARTS LIST  
 01.101 Page 1040  
 Mar 01/05


**BOEING**  
 COMPONENT  
 MAINTENANCE MANUAL

FIG. & ITEM	PART NO.	AIRLINE PART NUMBER	NOMENCLATURE 1234567	EFF CODE	QTY PER ASSY
02-335	HL79-6		...COLLAR- (V5M902) (SPEC BACC30M6) (OPT HL79-6 (V73197)) (OPT HL79-6 (V92215)) (OPT 66014-6 (V56878)) (OPT HL79-6 (V56878)) -----*	A-X	22
-337	113T2233-1		.RIB INSTL- (USED ON ITEMS 5G, 5H)	A,B	1
-337A	113T2233-5		.RIB INSTL- (USED ON ITEMS 5J, 5K, 5L)	A,B,E ,F,J, L,N,Q ,S	1
-339	113T2233-2		.RIB INSTL- (USED ON ITEMS 6, 6A)	C,D	1
-339A	113T2233-6		.RIB INSTL- (USED ON ITEMS 6B, 6C, 6D)	C,D,G ,H,K, M,P,R ,T	1
341	113T2236-1		..RIB-SPRT (USED ON ITEM 337)	A,B	1
-341A	113T2236-7		..RIB-SPRT (USED ON ITEM 337A)	A,B,E ,F,J, L,N,Q ,S	1
-343	113T2236-2		..RIB-SPRT (USED ON ITEM 339)	C,D	1
-343A	113T2236-8		..RIB-SPRT (USED ON ITEM 339A)	C,D,G ,H,K, M,P,R ,T	1
344	BACR15CE6KE		ATTACHING PARTS ..RIVET- (SIZE DETERMINE ON INST)	A-X	18

57-53-27

 ILLUSTRATED PARTS LIST  
 01.101 Page 1040A  
 Mar 01/05

FIG. & ITEM	PART NO.	AIRLINE PART NUMBER	NOMENCLATURE 1234567	EFF CODE	QTY PER ASSY
02-345	HL11VAZ8-9		..BOLT- (V56878) (SPEC BACB30NW8K9) (OPT B30NW8K9 (V97928)) (OPT HL11VAZ8-9 (V73197)) (OPT HL11VAZ8-9 (V92215)) (OPT HL11VAZ8-9 (V97928)) (OPT L803-8K9 (V06725)) (OPT HL11VAZ8-9 (V0PTK6)) (OPT HL11VAZ8-9 (V60516))	A-X	2
347	HL11VAZ6-9		..BOLT- (V60516) (SPEC BACB30NW6K9) (OPT B30NW6K9 (V97928)) (OPT HL11VAZ6-9 (V73197)) (OPT HL11VAZ6-9 (V92215)) (OPT HL11VAZ6-9 (V97928)) (OPT L803-6K9 (V06725)) (OPT HL11VAZ6-9 (V0PTK6)) (OPT HL11VAZ6-9 (V56878))	A-X	2

# 57-53-27

 ILLUSTRATED PARTS LIST  
 01.101 Page 1040B  
 Mar 01/05

**BOEING**  
 COMPONENT  
 MAINTENANCE MANUAL

FIG. & ITEM	PART NO.	AIRLINE PART NUMBER	NOMENCLATURE 1234567	EFF CODE	QTY PER ASSY
02-349	HL11VAZ6-8		..BOLT- (V60516) (SPEC BACB30NW6K8) (OPT B30NW6K8 (V97928)) (OPT HL11VAZ6-8 (V73197)) (OPT HL11VAZ6-8 (V92215)) (OPT HL11VAZ6-8 (V97928)) (OPT L803-6K8 (V06725)) (OPT HL11VAZ6-8 (V0PTK6)) (OPT HL11VAZ6-8 (V56878))	A-X	4
351	HL11VAZ6-4		..BOLT- (V60516) (SPEC BACB30NW6K4) (OPT HL11V6-4 (V92215)) (OPT HL11V6-4 (V97928)) (OPT L803-6-4 (V06725)) (OPT B30NW6K4 (V97928)) (OPT HL11VAZ6-4 (V73197)) (OPT HL11VAZ6-4 (V92215)) (OPT HL11VAZ6-4 (V56878))	A-X	4

**57-53-27**

ILLUSTRATED PARTS LIST  
 01.101 Page 1040C  
 Mar 01/05

FIG. & ITEM	PART NO.	AIRLINE PART NUMBER	NOMENCLATURE 1234567	EFF CODE	QTY PER ASSY
02-353	HL10VAZ6-5		..BOLT- (V60516) (SPEC BACB30MY6K5) (OPT B30MY6K5 (V97928))	A-X	8
355	L8006K6		..BOLT- (V06725) (SPEC BACB30MY6K6) (OPT HL10VAZ6-6 (VOPTK6))	A-X	4
357	HL10VAZ6-7		..BOLT- (V60516) (SPEC BACB30MY6K7) (OPT B30MY6K7 (V97928))	A-X	4
359	HL10VAZ6-8		..BOLT- (V60516) (SPEC BACB30MY6K8) (OPT B30MY6K8 (V97928))	A-X	4
361	BACB30NN3K6		..BOLT	A-X	10
363	BACB30NN4K9		..BOLT	A-X	10
365	BACS40R09C21F		..SHIM	A-X	3
367	BACS40R24E21F		..SHIM	A-X	1
369	BACS40R11C21F		..SHIM	A-X	2
371	BACS40R08C21F		..SHIM	A-X	2
373	BACS40R10C21F		..SHIM	A-X	1
375	BACS40R12C21F		..SHIM	A-X	1
377	HL79-6		..COLLAR- (V5M902) (SPEC BACC30M6) (OPT HL79-6 (V73197)) (OPT HL79-6 (V92215)) (OPT 66014-6 (V56878)) (OPT HL79-6 (V56878))	A-X	30

# 57-53-27

 ILLUSTRATED PARTS LIST  
 01.101 Page 1040D  
 Mar 01/05


**BOEING**  
 COMPONENT  
 MAINTENANCE MANUAL

FIG. & ITEM	PART NO.	AIRLINE PART NUMBER	NOMENCLATURE 1234567	EFF CODE	QTY PER ASSY
02-379	HL79-8		..COLLAR- (V5M902) (SPEC BACC30M8) (OPT HL79-8 (V73197)) (OPT HL79-8 (V92215)) (OPT 66014-8 (V56878)) (OPT HL79-8 (V56878))	A-X	2
381	BACN10JQ42		..NUTPLATE	A-X	10
383	NS103191-02-3		..NUTPLATE- (V80539) (SPEC BACN10KE3B3) (OPT F51750-3-3 (V15653)) (OPT RMF9213-3-3 (V72962)) (OPT BRFR220A3-3 (V52828))	A-X	10
385	BACR15BA3AD		..RIVET- (SIZE DETERMINE ON INST) -----*-----	A-X	40
-386	113T2234-1		.RIB INSTL- (USED ON ITEMS 5G, 5H, 5J, 5K)	A,B	1
-386A	113T2234-5		.RIB INSTL- (USED ON ITEM 5L)	A,B	1
-386B	113T2234-11		.RIB INSTL	E,F,J ,L,N, Q,S,U ,W	1

57-53-27

 ILLUSTRATED PARTS LIST  
 01.101 Page 1040E  
 Mar 01/05

FIG. & ITEM	PART NO.	AIRLINE PART NUMBER	NOMENCLATURE 1234567	EFF CODE	QTY PER ASSY
02- -387	113T2234-2		.RIB INSTL- (USED ON ITEMS 6, 6A, 6B, 6C)	C,D	1
-387A	113T2234-6		.RIB INSTL- (USED ON ITEM 6D)	C,D	1
-387B	113T2234-12		.RIB INSTL	G,H,K ,M,P, ,R,T,V ,X	1
388	BACR15BA3AD		..RIVET- (SIZE DETERMINE ON INST)	A-X	44
389	BACN10JQ42		..NUTPLATE	A-X	10
390	NS103191-02-3		..NUTPLATE- (V80539) (SPEC BACN10KE3B3) (OPT F51750-3-3 (V15653)) (OPT RMF9213-3-3 (V72962)) (OPT BRFR220A3-3 (V52828))	A-X	12
391	113T2238-1		..RIB ASSY-SPRT (USED ON ITEM 386)	A,B	1
-391A	113T2238-24		..RIB ASSY-SPRT (USED ON ITEM 386A)	A,B,E ,F,J, ,L,N,Q ,S,U, ,W	1
-393	113T2238-2		..RIB ASSY-SPRT (USED ON ITEM 387)	C,D	1
-393A	113T2238-25		..RIB ASSY-SPRT (USED ON ITEM 387A)	C,D,G ,H,K, ,M,P,R ,T,V, ,X	1
			ATTACHING PARTS		

57-53-27

 ILLUSTRATED PARTS LIST  
 01.101 Page 1040F  
 Mar 01/05




**BOEING**  
 COMPONENT  
 MAINTENANCE MANUAL

FIG. & ITEM	PART NO.	AIRLINE PART NUMBER	NOMENCLATURE 1234567	EFF CODE	QTY PER ASSY
02-395	HL11VAZ8-10		..BOLT- (V60516) (SPEC BACB30NW8K10) (OPT B30NW8K10 (V97928)) (OPT HL11VAZ8-10 (V73197)) (OPT HL11VAZ8-10 (V92215)) (OPT HL11VAZ8-10 (V97928)) (OPT L803-8K10 (V06725)) (OPT HL11VAZ8-10 (V0PTK6)) (OPT HL11VAZ8-10 (V56878))	A-D, F H, L-X	2
-395A 397	HL13VAZ8-10 HL11VAZ8-9		DELETED ..BOLT- (V56878) (SPEC BACB30NW8K9) (OPT B30NW8K9 (V97928)) (OPT HL11VAZ8-9 (V73197)) (OPT HL11VAZ8-9 (V92215)) (OPT HL11VAZ8-9 (V97928)) (OPT L803-8K9 (V06725)) (OPT HL11VAZ8-9 (V0PTK6)) (OPT HL11VAZ8-9 (V60516))	A-X	2

57-53-27

 ILLUSTRATED PARTS LIST  
 01.101 Page 1040G  
 Mar 01/05

FIG. & ITEM	PART NO.	AIRLINE PART NUMBER	NOMENCLATURE 1234567	EFF CODE	QTY PER ASSY
02-399	HL11VAZ8-8		..BOLT- (V56878) (SPEC BACB30NW8K8) (OPT B30NW8K8 (V97928)) (OPT HL11VAZ8-8 (V73197)) (OPT HL11VAZ8-8 (V92215)) (OPT HL11VAZ8-8 (V97928)) (OPT L803-8K8 (V06725)) (OPT HL11VAZ8-8 (V0PTK6)) (OPT HL11VAZ8-8 (V60516))	A-X	4
401	HL11VAZ8-7		..BOLT- (V56878) (SPEC BACB30NW8K7) (OPT B30NW8K7 (V97928)) (OPT HL11VAZ8-7 (V73197)) (OPT HL11VAZ8-7 (V92215)) (OPT HL11VAZ8-7 (V97928)) (OPT L803-8K7 (V06725)) (OPT HL11VAZ8-7 (V0PTK6)) (OPT HL11VAZ8-7 (V60516))	A-X	4

**57-53-27**

 ILLUSTRATED PARTS LIST  
 01.101 Page 1040H  
 Mar 01/05


**BOEING**  
 COMPONENT  
 MAINTENANCE MANUAL

FIG. & ITEM	PART NO.	AIRLINE PART NUMBER	NOMENCLATURE 1234567	EFF CODE	QTY PER ASSY
02-403	HL11VAZ6-4		..BOLT- (V60516) (SPEC BACB30NW6K4) (OPT HL11V6-4 (V92215)) (OPT HL11V6-4 (V97928)) (OPT L803-6-4 (V06725)) (OPT B30NW6K4 (V97928)) (OPT HL11VAZ6-4 (V73197)) (OPT HL11VAZ6-4 (V92215)) (OPT HL11VAZ6-4 (V56878))	A-X	16
405	HL10VAZ6-8		..BOLT- (V60516) (SPEC BACB30MY6K8) (OPT B30MY6K8 (V97928))	A-X	6
407	HL10VAZ8-12		..BOLT- (V60516) (SPEC BACB30MY8K12) (OPT B30MY8K12 (V97928))	A-X	2
408 408A	BACB30MY8K10 HL10VAZ8-9		DELETED ..BOLT- (V60516) (SPEC BACB30MY8K9) (OPT B30MY8K9 (V97928))	A-X	6
408G	HL10VAZ10-10		..BOLT- (V60516) (SPEC BACB30MY10K10) (OPT B30MY10K10 (V97928))	A-X	2

57-53-27

 ILLUSTRATED PARTS LIST  
 01.101 Page 1040I  
 Mar 01/05

FIG. & ITEM	PART NO.	AIRLINE PART NUMBER	NOMENCLATURE 1234567	EFF CODE	QTY PER ASSY
02-409	HL10VAZ8-8		..BOLT- (V60516) (SPEC BACB30MY8K8) (OPT B30MY8K8 (V97928))	A-X	2
411	BACB30NR4K14		..BOLT	A-X	2
413	BACB30NN3K6		..BOLT	A-X	12
415	BACB30LK4-9		..BOLT	A-X	10
417	K29913-104		..WASHER- (V15653) (SPEC BACW10CA104CC) (OPT 70191-104 (V56878)) (OPT 922008-4 (V60119)) (OPT 942008-4 (V60119))	A-X	4
419	K29646-104		..WASHER- (V15653) (SPEC BACW10CA104CV) (OPT 70188-104 (V56878)) (OPT 922007-4 (V60119)) (OPT 942007-4 (V60119))	A-X	4
421	BACW10BP4CD		..WASHER	A-X	2
423	BACW10BP4DP		..WASHER	A-X	2
425	BACS40R20C22F		..SHIM	A-X	1
427	BACS40R11C22F		..SHIM	A-X	2
429	BACS40R12C22F		..SHIM	A-X	2

57-53-27

 ILLUSTRATED PARTS LIST  
 01.101 Page 1040J  
 Mar 01/05


**BOEING**  
 COMPONENT  
 MAINTENANCE MANUAL

FIG. & ITEM	PART NO.	AIRLINE PART NUMBER	NOMENCLATURE 1234567	EFF CODE	QTY PER ASSY
02-					
431	BACS40R15C26F		..SHIM	A-X	1
433	BACS40R12C26F		..SHIM	A-X	3
435	BACS40R13C22F		..SHIM	A-X	1
437	BACS40R16C26F		..SHIM	A-X	1
439	BACS40R16D26F		..SHIM	A-X	1
441	HL79-6		..COLLAR- (V5M902) (SPEC BACC30M6) (OPT HL79-6 (V73197)) (OPT HL79-6 (V92215)) (OPT 66014-6 (V56878)) (OPT HL79-6 (V56878))	A-X	22
443	HL79-8		..COLLAR- (V5M902) (SPEC BACC30M8) (OPT HL79-8 (V73197)) (OPT HL79-8 (V92215)) (OPT 66014-8 (V56878)) (OPT HL79-8 (V56878))	A-X	20
443G	HL79-10		..COLLAR- (V5M902) (SPEC BACC30M10) (OPT HL79-10 (V73197)) (OPT HL79-10 (V92215)) (OPT 66014-10 (V56878)) (OPT HL79-10 (V56878))	A-X	2

57-53-27

 ILLUSTRATED PARTS LIST  
 01.101 Page 1040K  
 Mar 01/05

FIG. & ITEM	PART NO.	AIRLINE PART NUMBER	NOMENCLATURE 1234567	EFF CODE	QTY PER ASSY
02-444	HL79-8		..COLLAR- (V5M902) (SPEC BACC30M8) (OPT HL79-8 (V73197)) (OPT HL79-8 (V92215)) (OPT 66014-8 (V56878)) (OPT HL79-8 (V56878))	A-D,F ,H, L-X	2
-444A 445	HL1187-8 BRH10C4M		DELETED ..NUT- (V52828) (SPEC BACN10JC4CM) (OPT T6C428JM (V11815)) (OPT 97E48 (V80539)) (OPT 109LH9075-4W (V72962)) (OPT VN303D048 (V92215)) (OPT 9NS202101SE048 (VA8053)) (OPT H01-4BAC (V15653)) -----*	A-X	2
453	113T2238-5		...RIB-SPRT (USED ON ITEM 391)	A,B	1
-453A	113T2238-20		...RIB-SPRT (USED ON ITEM 391A)	A,B,E ,F,J, L,N,Q ,S,U, W	1
-455	113T2238-6		...RIB-SPRT (USED ON ITEM 393)	C,D	1
-455A	113T2238-21		....RIB-SPRT (USED ON ITEM 393A)	C,D,G ,H,K, M,P,R ,T,V, X	1

57-53-27

 ILLUSTRATED PARTS LIST  
 01.101 Page 1040L  
 Mar 01/05


**BOEING**  
 COMPONENT  
 MAINTENANCE MANUAL

FIG. & ITEM	PART NO.	AIRLINE PART NUMBER	NOMENCLATURE 1234567	EFF CODE	QTY PER ASSY
02-457	113T2238-7		...RIB-SPRT (USED ON ITEM 391)	A,B	1
-457A	113T2238-22		...RIB-SPRT (USED ON ITEM 391A)	A,B,E ,F,J, L,N,Q ,S,U, W	1
-459	113T2238-8		...RIB-SPRT (USED ON ITEM 393)	C,D	1
-459A	113T2238-23		...RIB-SPRT (USED ON ITEM 393A)	C,D,G ,H,K, M,P,R ,T,V, X	1
461	HL10VAZ6-3		ATTACHING PARTS ...BOLT- (V60516) (SPEC BACB30MY6K3) (OPT B30MY6K3 (V97928))	A-X	14
463	HL79-6		...COLLAR- (V5M902) (SPEC BACC30M6) (OPT HL79-6 (V73197)) (OPT HL79-6 (V92215)) (OPT 66014-6 (V56878)) (OPT HL79-6 (V56878)) -----*	A-X	14

57-53-27

 ILLUSTRATED PARTS LIST  
 01.101 Page 1040M  
 Mar 01/05

FIG. & ITEM	PART NO.	AIRLINE PART NUMBER	NOMENCLATURE 1234567	EFF CODE	QTY PER ASSY
02- -465	113T2290-1		.RIB INSTL-OUTBD	A,B,E ,F,J, L,N,Q ,S,U, W	1
-467	113T2290-2		.RIB INSTL-OUTBD	C,D,G ,H,K, M,P,R ,T,V, X	1
469	BACR15CE6KE		..RIVET- (SIZE DETERMINE ON INST)	A-X	10
471	BACR15FT6KE		..RIVET- (SIZE DETERMINE ON INST)	A-X	7
473	HL11VAZ8-8		..BOLT- (V56878) (SPEC BACB30NW8K8) (OPT B30NW8K8 (V97928)) (OPT HL11VAZ8-8 (V73197)) (OPT HL11VAZ8-8 (V92215)) (OPT HL11VAZ8-8 (V97928)) (OPT L803-8K8 (V06725)) (OPT HL11VAZ8-8 (V0PTK6)) (OPT HL11VAZ8-8 (V60516))	A-X	1

57-53-27

 ILLUSTRATED PARTS LIST  
 01.101 Page 1040N  
 Mar 01/05




**BOEING**  
 COMPONENT  
 MAINTENANCE MANUAL

FIG. & ITEM	PART NO.	AIRLINE PART NUMBER	NOMENCLATURE 1234567	EFF CODE	QTY PER ASSY
02-475	HL11VAZ8-7		..BOLT- (V56878) (SPEC BACB30NW8K7) (OPT B30NW8K7 (V97928)) (OPT HL11VAZ8-7 (V73197)) (OPT HL11VAZ8-7 (V92215)) (OPT HL11VAZ8-7 (V97928)) (OPT L803-8K7 (V06725)) (OPT HL11VAZ8-7 (V0PTK6)) (OPT HL11VAZ8-7 (V60516))	A-X	1
477	HL11VAZ6-3		..BOLT- (V60516) (SPEC BACB30NW6K3) (OPT B30NW6K3 (V97928)) (OPT HL11VAZ6-3 (V73197)) (OPT HL11VAZ6-3 (V92215)) (OPT HL11VAZ6-3 (V97928)) (OPT L803-6K3 (V06725)) (OPT HL11VAZ6-3 (V0PTK6)) (OPT HL11VAZ6-3 (V56878))	A-X	2

57-53-27

 ILLUSTRATED PARTS LIST  
 01.101 Page 10400  
 Mar 01/05

FIG. & ITEM	PART NO.	AIRLINE PART NUMBER	NOMENCLATURE 1234567	EFF CODE	QTY PER ASSY
02-					
479	BACB30NN4K9		..BOLT	A-X	2
481	BACB30NN3K6		..BOLT	A-X	9
483	BACF3T04D9-40		..FILLER	A-X	1
485	BACS40R08C10F		..SHIM	A-X	2
487	BACS40R10B120F		..SHIM	A-X	1
489	BACS40R10C120F		..SHIM	A-X	1
491	BACS40R27C10F		..SHIM	A-X	1
493	BACS40R25D09F		..SHIM	A-X	1
495	BACS40R24C10F		..SHIM	A-X	1
497	HL79-6		..COLLAR- (V5M902) (SPEC BACC30M6) (OPT HL79-6 (V73197)) (OPT HL79-6 (V92215)) (OPT 66014-6 (V56878)) (OPT HL79-6 (V56878))	A-X	2
499	HL79-8		..COLLAR- (V5M902) (SPEC BACC30M8) (OPT HL79-8 (V73197)) (OPT HL79-8 (V92215)) (OPT 66014-8 (V56878)) (OPT HL79-8 (V56878))	A-X	2
501	BACN10JQ43		..NUTPLATE	A-X	1
503	NS103194-02-3		..NUTPLATE- (V80539) (SPEC BACN10KE3E3) (OPT F51752-3-3 (V15653)) (OPT RMF9216-3-3 (V72962)) (OPT BRFR120A3-3 (V52828))	A-X	2

57-53-27

 ILLUSTRATED PARTS LIST  
 01.101 Page 1040P  
 Mar 01/05

**BOEING**  
 COMPONENT  
 MAINTENANCE MANUAL

FIG. & ITEM	PART NO.	AIRLINE PART NUMBER	NOMENCLATURE 1234567	EFF CODE	QTY PER ASSY
02-505	NS103191-02-3		..NUTPLATE- (V80539) (SPEC BACN10KE3B3) (OPT F51750-3-3 (V15653)) (OPT RMF9213-3-3 (V72962)) (OPT BRFR220A3-3 (V52828))	A-X	7
507	BACR15BA3AD		ATTACHING PARTS ..RIVET- (SIZE DETERMINE ON INST) -----*-----	A-X	20
509	113T2235-1		..RIB-END	A,B,E ,F,J, L,N,Q ,S,U, W	1
-511	113T2235-2		..RIB-END	C,D,G ,H,K, M,P,R ,T,V, X	1
513	113T2255-1		.FITTING ASSY-BEAM (9-10) (USED ON ITEM 5N)	A,B,E ,F,J, L,N,Q ,S	1
-513A	113T2255-9		.FITTING ASSY-BEAM (9-10) (USED ON ITEM 5P)	N,S,U ,W	1

**57-53-27**

ILLUSTRATED PARTS LIST  
 01.101 Page 1040Q  
 Mar 01/05

FIG. & ITEM	PART NO.	AIRLINE PART NUMBER	NOMENCLATURE 1234567	EFF CODE	QTY PER ASSY
02- -515	113T2255-2		.FITTING ASSY-BEAM (9-10) (USED ON ITEM 6J)	C,D,G ,H,K, M,P,R ,T	1
-515A	113T2255-10		.FITTING ASSY-BEAM (9-10) (USED ON ITEM 6K) ATTACHING PARTS	P,T,V ,X	1
517	BACB30MR8K27		.BOLT- (PRE SB 767-27A0176)	A-X	2
R -517A	BACB30LE8K27		.BOLT- (POST SB 767-27A0176)	A-X	2
519	BACW10BP8CD		.WASHER	A-X	2
521	BACW10BP8DP		.WASHER	A-X	2
523	113T2207-9		.SHIM	A-X	1
525	113T2207-10		.FILLER	A-X	1
527	NAS1804-8		.NUT- (PRE SB 767-27A0176)	A-X	2
R -527A	NAS1804-8		.NUT- (OPT ITEM 527B) (POST SB 767-27A0176)	A-X	2
R -527B	NAS1805-8L		.NUT- (OPT ITEM 527A) (POST SB 767-27A0176) -----*-----	A-X	2
529	113T2104-22		..BUSHING	A-X	2
531	113T2104-24		..BUSHING	A-X	1
533	113T2255-3		..FITTING- (USED ON ITEM 513)	A,B,E ,F,J, L,N,Q ,S	1

57-53-27

 ILLUSTRATED PARTS LIST  
 01.101 Page 1040R  
 Mar 01/05


**BOEING**  
 COMPONENT  
 MAINTENANCE MANUAL

FIG. & ITEM	PART NO.	AIRLINE PART NUMBER	NOMENCLATURE 1234567	EFF CODE	QTY PER ASSY
02- -533A	113T2255-11		..FITTING- (USED ON ITEM 513A)	N,S,U ,W	1
-535	113T2255-4		..FITTING- (USED ON ITEM 515)	C,D,G ,H,K, M,P,R ,T	1
-535A	113T2255-12		..FITTING- (USED ON ITEM 515A)	P,T,V ,X	1
537	113T2255-5		..FITTING- (USED ON ITEM 513)	A,B,E ,F,J, L,N,Q ,S	1
-537A	113T2255-13		..FITTING- (USED ON ITEM 513A)	N,S,U ,W	1
-539	113T2255-6		..FITTING- (USED ON ITEM 515)	C,D,G ,H,K, M,P,R ,T	1
-539A	113T2255-14		..FITTING- (USED ON ITEM 515A) ATTACHING PARTS	P,T,V ,X	1
541	HL10VAZ8-7		..BOLT- (V60516) (SPEC BACB30MY8K7) (OPT B30MY8K7 (V97928))	A-X	1
543	HL10VAZ8-13		..BOLT- (V60516) (SPEC BACB30MY8K13) (OPT B30MY8K13 (V97928))	A-X	1
545	HL10VAZ10-20		..BOLT- (V60516) (SPEC BACB30MY10K20) (OPT B30MY10K20 (V97928))	A-X	1

57-53-27

 ILLUSTRATED PARTS LIST  
 01.101 Page 1040S  
 Mar 01/05

FIG. & ITEM	PART NO.	AIRLINE PART NUMBER	NOMENCLATURE 1234567	EFF CODE	QTY PER ASSY
02-547	HL79-8		..COLLAR- (V5M902) (SPEC BACC30M8) (OPT HL79-8 (V73197)) (OPT HL79-8 (V92215)) (OPT 66014-8 (V56878)) (OPT HL79-8 (V56878))	A-X	2
549	HL79-10		..COLLAR- (V5M902) (SPEC BACC30M10) (OPT HL79-10 (V73197)) (OPT HL79-10 (V92215)) (OPT 66014-10 (V56878)) (OPT HL79-10 (V56878))	A-X	1
551	113T2111-1		-----* .SUPPORT ASSY-SEAL	A,B,E ,F,J, L,N,Q ,S,U, W	1
-553	113T2111-2		.SUPPORT ASSY-SEAL	C,D,G ,H,K, M,P,R ,T,V, X	1
			ATTACHING PARTS		

**57-53-27**

 ILLUSTRATED PARTS LIST  
 01.101 Page 1040T  
 Mar 01/05

**BOEING**  
 COMPONENT  
 MAINTENANCE MANUAL

FIG. & ITEM	PART NO.	AIRLINE PART NUMBER	NOMENCLATURE 1234567	EFF CODE	QTY PER ASSY
02-555	HL10VAZ6-2		.BOLT- (V60516) (SPEC BACB30MY6K2) (OPT B30MY6K2 (V97928))	A-X	4
557	HL10VAZ6-3		.BOLT- (V60516) (SPEC BACB30MY6K3) (OPT B30MY6K3 (V97928))	A-X	1
559	HL79-6		.COLLAR- (V5M902) (SPEC BACC30M6) (OPT HL79-6 (V73197)) (OPT HL79-6 (V92215)) (OPT 66014-6 (V56878)) (OPT HL79-6 (V56878))	A-X	5
561	113T2111-5		-----*----- ..BRACKET	A,B,E ,F,J, L,N,Q ,S,U, W	1
-563	113T2111-6		..BRACKET	C,D,G ,H,K, M,P,R ,T,V, X	1
			ATTACHING PARTS		

**57-53-27**

ILLUSTRATED PARTS LIST  
 01.101 Page 1040U  
 Mar 01/05

FIG. & ITEM	PART NO.	AIRLINE PART NUMBER	NOMENCLATURE 1234567	EFF CODE	QTY PER ASSY
02-565	BACR15BB6AD		..RIVET- (SIZE DETERMINE ON INST)	A-X	1
567	BACR15CE6AD		DELETED		
569	113T2111-7		..SUPPORT	A,B,E ,F,J, L,N,Q ,S,U, W	1
-570	113T2111-8		..SUPPORT	C,D,G ,H,K, M,P,R ,T,V, X	1
571	BACB30LK3-3		DELETED		
571A	BACB30LK3-4		..BOLT	A-X	3
573	AN960PD10		..WASHER -----*-----	A-X	3
575	BACN10JQ32		..NUTPLATE ATTACHING PARTS	A-X	3
577	BACR15BA3AD		..RIVET- (SIZE DETERMINE ON INST) -----*-----	A-X	6
579	113T2111-3		..ANGLE	A,B,E ,F,J, L,N,Q ,S,U, W	1
-581	113T2111-4		..ANGLE	C,D,G ,H,K, M,P,R ,T,V, X	1
583	113T2220-1		.SPAR INSTL-FRONT	A,B,E ,F,J, L,N,Q ,S,U, W	1

57-53-27

 ILLUSTRATED PARTS LIST  
 01.101 Page 1040V  
 Mar 01/05




**BOEING**  
 COMPONENT  
 MAINTENANCE MANUAL

FIG. & ITEM	PART NO.	AIRLINE PART NUMBER	NOMENCLATURE 1234567	EFF CODE	QTY PER ASSY
02- -585	113T2220-2		.SPAR INSTL-FRONT	C,D,G ,H,K, M,P,R ,T,V, X	1
-585G	113T2220-5001		..SPAR INSTL- (REPLD BY ITEMS 585H, 585J, 585K)	A,B,E ,F,J, L,N,Q ,S,U, W	1
-585H	113T2220-5003		..SPAR INSTL- (REPLS ITEM 585G) (REPLD BY ITEMS 585J, 585K)	A,B,E ,F,J, L,N,Q ,S,U, W	1
-585J	113T2220-5007		..SPAR INSTL- (REPLS ITEMS 585G, 585H) (REPLD BY ITEM 585K)	A,B,E ,F,J, L,N,Q ,S,U, W	1
-585K	113T2220-5005		..SPAR INSTL- (REPLS ITEMS 585G, 585H, 585J)	A,B,E ,F,J, L,N,Q ,S,U, W	1
-586	113T2220-5002		..SPAR INSTL- (REPLD BY ITEMS 586A, 586B, 586C)	C,D,G ,H,K, M,P,R ,T,V, X	1
-586A	113T2220-5004		..SPAR INSTL- (REPLS ITEM 586) (REPLD BY ITEMS 586B, 586C)	C,D,G ,H,K, M,P,R ,T,V, X	1
-586B	113T2220-5008		..SPAR INSTL- (REPLS ITEMS 586, 586A) (REPLD BY ITEM 586C)	C,D,G ,H,K, M,P,R ,T,V, X	1
-586C	113T2220-5006		..SPAR INSTL- (REPLS ITEMS 586, 586A, 586B)	C,D,G ,H,K, M,P,R ,T,V, X	1

57-53-27

 ILLUSTRATED PARTS LIST  
 01.101 Page 1040W  
 Mar 01/05

FIG. & ITEM	PART NO.	AIRLINE PART NUMBER	NOMENCLATURE 1234567	EFF CODE	QTY PER ASSY
02-					
587	113T2220-25		...STIFFENER	A-X	1
591	113T2220-35		...STIFFENER	A-X	3
595	113T2220-23		...STIFFENER	A-X	3
599	113T2220-13		...STIFFENER	A-X	2
603	113T2220-19		...STIFFENER	A-X	2
607	113T2220-27		...STIFFENER	A-X	1
615	113T2220-31		...STIFFENER	A-X	2
619	113T2220-11		...STIFFENER	A-X	5
623	113T2220-29		...STIFFENER	A-X	1
627	113T2220-21		...STIFFENER	A-X	3
631	113T2220-17		...STIFFENER	A-X	1
635	113T2220-15		...STIFFENER	A-X	1
			ATTACHING PARTS DELETED		
643	BACR15FT6D				
643A	BACR15FT6KE		...RIVET- (SIZE DETERMINE ON INST)	A-X	3
645	BACR15FT6AD		...RIVET- (SIZE DETERMINE ON INST)	A-X	45
647	BACR15FT6KE		...RIVET- (SIZE DETERMINE ON INST)	A-X	15
649	HL10VAZ6-3		...BOLT- (V60516) (SPEC BACB30MY6K3) (OPT B30MY6K3 (V97928))	A-X	34
651	HL10VAZ6-4		...BOLT- (V60516) (SPEC BACB30MY6K4) (OPT B30MY6K4 (V97928))	A-X	4

57-53-27

 ILLUSTRATED PARTS LIST  
 01.101 Page 1040X  
 Mar 01/05


**BOEING**  
 COMPONENT  
 MAINTENANCE MANUAL

FIG. & ITEM	PART NO.	AIRLINE PART NUMBER	NOMENCLATURE 1234567	EFF CODE	QTY PER ASSY
02-653	L8006K6		...BOLT- (V06725) (SPEC BACB30MY6K6) (OPT HL10VAZ6-6 (VOPTK6))	A-X	4
655	HL79-6		...COLLAR- (V5M902) (SPEC BACC30M6) (OPT HL79-6 (V73197)) (OPT HL79-6 (V92215)) (OPT 66014-6 (V56878)) (OPT HL79-6 (V56878))	A-X	42
657	113T2256-1		-----*----- ...FITTING	A,B,E ,F,J, L,N,Q ,S,U, W	2
-659	113T2256-2		...FITTING	C,D,G ,H,K, M,P,R ,T,V, X	2
661	HL10VAZ8-8		ATTACHING PARTS ...BOLT- (V60516) (SPEC BACB30MY8K8) (OPT B30MY8K8 (V97928))	A-X	4

57-53-27

 ILLUSTRATED PARTS LIST  
 01.101 Page 1040Y  
 Mar 01/05

FIG. & ITEM	PART NO.	AIRLINE PART NUMBER	NOMENCLATURE 1234567	EFF CODE	QTY PER ASSY
02-663	HL10VAZ8-7		...BOLT- (V60516) (SPEC BACB30MY8K7) (OPT B30MY8K7 (V97928))	A-X	4
665	HL11VAZ8-8		...BOLT- (V56878) (SPEC BACB30NW8K8) (OPT B30NW8K8 (V97928)) (OPT HL11VAZ8-8 (V73197)) (OPT HL11VAZ8-8 (V92215)) (OPT HL11VAZ8-8 (V97928)) (OPT L803-8K8 (V06725)) (OPT HL11VAZ8-8 (VOPTK6)) (OPT HL11VAZ8-8 (V60516))	A-X	6
667	BACS40R20C50F		...SHIM- (USED ON ITEMS 5E, 5K, 5N, 5P, 6C, 6G, 6J, 6K)	A-X	1
-667A	BACS40R020C025F		...SHIM- (USED ON ITEMS 5G, 5H, 5J, 5L, 6, 6A, 6B, 6D)	A-D	1
669	HL79-8		...COLLAR- (V5M902) (SPEC BACC30M8) (OPT HL79-8 (V73197)) (OPT HL79-8 (V92215)) (OPT 66014-8 (V56878)) (OPT HL79-8 (V56878)) -----*	A-X	14

# 57-53-27

 ILLUSTRATED PARTS LIST  
 01.101 Page 1040Z  
 Mar 01/05


**BOEING**  
 COMPONENT  
 MAINTENANCE MANUAL

FIG. & ITEM	PART NO.	AIRLINE PART NUMBER	NOMENCLATURE 1234567	EFF CODE	QTY PER ASSY
02-671	113T2259-1		...FITTING-BACKUP ATTACHING PARTS	A-X	2
673	BACR15FT6AD		...RIVET- (SIZE DETERMINE ON INST)	A-X	6
675	BACB30NN4K9		...BOLT	A-X	2
677	HL10VAZ6-4		...BOLT- (V60516) (SPEC BACB30MY6K4) (OPT B30MY6K4 (V97928))	A-X	4
679	BACB30M6		DELETED		
679A	HL79-6		...COLLAR- (V5M902) (SPEC BACC30M6) (OPT HL79-6 (V73197)) (OPT HL79-6 (V92215)) (OPT 66014-6 (V56878)) (OPT HL79-6 (V56878)) -----*	A-X	4
681	BACN10JQ44		...NUTPLATE ATTACHING PARTS	A-X	2
683	BACR15BA3AD		...RIVET- (SIZE DETERMINE ON INST) -----*	A-X	4
685	113T2220-5		...STRAP-UPR (USED ON ITEM 585H)	A,B,E ,F,J, L,N,Q ,S,U, W	1
-685A	113T2220-39		...STRAP-UPR (USED ON ITEM 585G)	A,B,E ,F,J, L,N,Q ,S,U, W	1
-685B	113T2220-41		...STRAP-UPR (USED ON ITEMS 585J, 585K)	A,B,E ,F,J, L,N,Q ,S,U, W	1

57-53-27

 ILLUSTRATED PARTS LIST  
 01.101 Page 1041  
 Mar 01/05

FIG. & ITEM	PART NO.	AIRLINE PART NUMBER	NOMENCLATURE 1234567	EFF CODE	QTY PER ASSY
02- -687	113T2220-6		...STRAP-UPR (USED ON ITEM 586A)	C,D,G ,H,K, M,P,R ,T,V, X	1
-687A	113T2220-40		...STRAP-UPR (USED ON ITEM 586)	C,D,G ,H,K, M,P,R ,T,V, X	1
-687B	113T2220-42		...STRAP-UPR (USED ON ITEMS 586B, 586C)	C,D,G ,H,K, M,P,R ,T,V, X	1
689	BACR15CE6KE		ATTACHING PARTS ...RIVET- (SIZE DETERMINE ON INST)	A-X	158
690	HL11VAZ8-5		...BOLT- (V60516) (SPEC BACB30NW8K5) (OPT B30NW8K5 (V97928)) (OPT HL11VAZ8-5 (V73197)) (OPT HL11VAZ8-5 (V92215)) (OPT HL11VAZ8-5 (V97928)) (OPT L803-8K5 (V06725)) (OPT HL11VAZ8-5 (V0PTK6)) (OPT HL11VAZ8-5 (V56878))	A-X	4

57-53-27

 ILLUSTRATED PARTS LIST  
 01.101 Page 1042  
 Mar 01/05

**BOEING**  
 COMPONENT  
 MAINTENANCE MANUAL

FIG. & ITEM	PART NO.	AIRLINE PART NUMBER	NOMENCLATURE 1234567	EFF CODE	QTY PER ASSY
02-691	HL11VAZ6-5		...BOLT- (V60516) (SPEC BACB30NW6K5) (OPT HL11V6-5 (V92215)) (OPT HL11V6-5 (V97928)) (OPT L803-6-5 (V06725)) (OPT B30NW6K5 (V97928)) (OPT HL11VAZ6-5 (V73197)) (OPT HL11VAZ6-5 (V92215)) (OPT HL11VAZ6-5 (V56878))	A-X	54
692	HL11VAZ6-6		...BOLT- (V60516) (SPEC BACB30NW6K6) (OPT B30NW6K6 (V97928)) (OPT HL11VAZ6-6 (V73197)) (OPT HL11VAZ6-6 (V92215)) (OPT HL11VAZ6-6 (V97928)) (OPT L803-6K6 (V06725)) (OPT HL11VAZ6-6 (V0PTK6)) (OPT HL11VAZ6-6 (V56878))	A-X	20

**57-53-27**

ILLUSTRATED PARTS LIST  
 01.101 Page 1042A  
 Mar 01/05

FIG. & ITEM	PART NO.	AIRLINE PART NUMBER	NOMENCLATURE	EFF CODE	QTY PER ASSY
			1234567		
02- 693 693A 694	BACB30NN3K8 BACB30NN3K6 HL79-8		DELETED ...BOLT ...COLLAR- (V5M902) (SPEC BACC30M8) (OPT HL79-8 (V73197)) (OPT HL79-8 (V92215)) (OPT 66014-8 (V56878)) (OPT HL79-8 (V56878))	A-X A-X	129 4
695	HL79-6		...COLLAR- (V5M902) (SPEC BACC30M6) (OPT HL79-6 (V73197)) (OPT HL79-6 (V92215)) (OPT 66014-6 (V56878)) (OPT HL79-6 (V56878)) -----*	A-X	74
697	113T2220-7		...STRAP-LWR (USED ON ITEMS 585G, 585H)	A,B,E ,F,J, L,N,Q ,S,U, W	1

# 57-53-27

 ILLUSTRATED PARTS LIST  
 01.101 Page 1042B  
 Mar 01/05




**BOEING**  
 COMPONENT  
 MAINTENANCE MANUAL

FIG. & ITEM	PART NO.	AIRLINE PART NUMBER	NOMENCLATURE 1234567	EFF CODE	QTY PER ASSY
02- -697A	113T2220-43		...STRAP-LWR (USED ON ITEMS 585J, 585K)	A,B,E ,F,J, L,N,Q ,S,U, W	1
-699	113T2220-8		...STRAP-LWR (USED ON ITEMS 586, 586A)	C,D,G ,H,K, M,P,R ,T,V, X	1
-699A	113T2220-44		...STRAP-LWR (USED ON ITEMS 586B, 586C)	C,D,G ,H,K, M,P,R ,T,V, X	1
701	BACB30NN3K6		ATTACHING PARTS ...BOLT -----*-----	A-X	275
702	BACB30NN3K6		...BOLT- (USED ON ITEMS 585J, 585K, 586B, 586C)	A-X	1
703	BACB30NN3K8		ATTACHING PARTS DELETED		
704	BACB30LR8		DELETED		
704A	BACB30LR3-8		...BOLT- (USED ON ITEMS 585J, 585K, 586B, 586C)	A-X	3
705	HL11VAZ6-5		...BOLT- (V60516) (SPEC BACB30NW6K5) (OPT HL11V6-5 (V92215)) (OPT HL11V6-5 (V97928)) (OPT L803-6-5 (V06725)) (OPT B30NW6K5 (V97928)) (OPT HL11VAZ6-5 (V73197)) (OPT HL11VAZ6-5 (V92215)) (OPT HL11VAZ6-5 (V56878))	A-X	12

57-53-27

 ILLUSTRATED PARTS LIST  
 01.101 Page 1042C  
 Mar 01/05

FIG. & ITEM	PART NO.	AIRLINE PART NUMBER	NOMENCLATURE 1234567	EFF CODE	QTY PER ASSY
02-707	HL79-6		...COLLAR- (V5M902) (SPEC BACC30M6) (OPT HL79-6 (V73197)) (OPT HL79-6 (V92215)) (OPT 66014-6 (V56878)) (OPT HL79-6 (V56878)) -----*-----	A-X	12
709	BACR15FT8AD		...RIVET- (SIZE DETERMINE ON INST)	A-X	5
711	BACR15FT6AD		...RIVET- (SIZE DETERMINE ON INST)	A-X	277
713	BACR15FT6KE		...RIVET- (SIZE DETERMINE ON INST)	A-X	76
715	BACR15FT6D		DELETED		
717	HL10VAZ6-4		...BOLT- (V60516) (SPEC BACB30MY6K4) (OPT B30MY6K4 (V97928))	A-X	16
719	HL10VAZ6-3		...BOLT- (V60516) (SPEC BACB30MY6K3) (OPT B30MY6K3 (V97928))	A-X	14

# 57-53-27

 ILLUSTRATED PARTS LIST  
 01.101 Page 1042D  
 Mar 01/05


**BOEING**  
 COMPONENT  
 MAINTENANCE MANUAL

FIG. & ITEM	PART NO.	AIRLINE PART NUMBER	NOMENCLATURE 1234567	EFF CODE	QTY PER ASSY
02-721	HL79-6		...COLLAR- (V5M902) (SPEC BACC30M6) (OPT HL79-6 (V73197)) (OPT HL79-6 (V92215)) (OPT 66014-6 (V56878)) (OPT HL79-6 (V56878))	A-X	30
723	113T2220-3		...WEB	A,B,E ,F,J, L,N,Q ,S,U, W	1
-725	113T2220-4		...WEB	C,D,G ,H,K, M,P,R ,T,V, X	1
727	113T2220-9		...DOUBLER	A-X	1
729	113T2220-10		...DOUBLER	A-X	1
731	BACN10KE3B5		DELETED		
731A	NS103191-02-4		...NUTPLATE- (V80539) (SPEC BACN10KE3B4) (OPT F51750-3-4 (V15653)) (OPT RMF9213-4-3 (V72962)) (OPT BRFR220A3-4 (V52828))	A-X	261

57-53-27

 ILLUSTRATED PARTS LIST  
 01.101 Page 1042E  
 Mar 01/05

FIG. & ITEM	PART NO.	AIRLINE PART NUMBER	NOMENCLATURE 1234567	EFF CODE	QTY PER ASSY
02-732	NS103191-02-4		...NUTPLATE- (V80539) (SPEC BACN10KE3B4) (OPT F51750-3-4 (V15653)) (OPT RMF9213-4-3 (V72962)) (OPT BRFR220A3-4 (V52828)) (USED ON ITEMS 585J, 585K, 586B, 586C)	A-X	1
732G	NS103191-02-6		...NUTPLATE- (V80539) (SPEC BACN10KE3B6) (OPT F51750-3-6 (V15653)) (OPT RMF9213-6-3 (V72962)) (OPT BRFR220A3-6 (V52828)) (USED ON ITEMS 585J, 585K, 586B, 586C)	A-X	3
733	NS103191-02-2		...NUTPLATE- (V80539) (SPEC BACN10KE3B2) (OPT F51750-3-2 (V15653)) (OPT RMF9213-2-3 (V72962)) (OPT BRFR220A3-2 (V52825)) ATTACHING PARTS	A-X	143
735	BACR15BA3AD		...RIVET- (SIZE DETERMINE ON INST)	A-X	808
736	BACR15BA3AD		...RIVET- (SIZE DETERMINE ON INST) (USED ON ITEMS 585J, -----*-----	A-X	8

57-53-27

 ILLUSTRATED PARTS LIST  
 01.101 Page 1042F  
 Mar 01/05

**BOEING**  
 COMPONENT  
 MAINTENANCE MANUAL

FIG. & ITEM	PART NO.	AIRLINE PART NUMBER	NOMENCLATURE 1234567	EFF CODE	QTY PER ASSY
02-737	113T2221-1		...CHORD- (USED ON ITEMS 585G, 585H, 585J)	A,B,E ,F,J, L,N,Q ,S	1
-737A	113T2221-5		...CHORD-UPR (USED ON ITEM 585K)	A,B,E ,F,J, L,N,Q ,S,U, W	1
-739	113T2221-2		...CHORD- (USED ON ITEMS 586, 586A, 586B)	C,D,G ,H,K, M,P,R ,T,V, X	1
-739A	113T2221-6		...CHORD-UPR (USED ON ITEM 586C)	C,D,G ,H,K, M,P,R ,T,V, X	1
741	113T2221-3		...CHORD- (USED ON ITEMS 585G, 585H, 585J)	A,B,E ,F,J, L,N,Q ,S,U, W	1
-741A	113T2221-7		...CHORD-LWR (USED ON ITEM 585K)	A,B,E ,F,J, L,N,Q ,S,U, W	1

**57-53-27**

ILLUSTRATED PARTS LIST  
 01.101 Page 1042G  
 Mar 01/05

FIG. & ITEM	PART NO.	AIRLINE PART NUMBER	NOMENCLATURE 1234567	EFF CODE	QTY PER ASSY
02- -743	113T2221-4		...CHORD-LWR (USED ON ITEMS 586, 586A, 586B)	C,D,G ,H,K, M,P,R ,T,V, X	1
-743A	113T2221-8		...CHORD-LWR (USED ON ITEM 586C)	C,D,G ,H,K, M,P,R ,T,V, X	1
745 -745A	113T2240-1 113T2240-15		.PANEL ASSY-UPR .PANEL ASSY-UPR	A,B E,F,J ,L,N, Q,S,U ,W	1 1
-745B	113T2240-17		DELETED		
-747	113T2240-2		.PANEL ASSY-UPR	C,D	1
-747A	113T2240-16		.PANEL ASSY-UPR	G,H,K ,M,P, R,T,V ,X	1
-747B	113T2240-18		DELETED		
749 -749A	113T2241-1 113T2241-15		.PANEL ASSY-LWR .PANEL ASSY-LWR	A,B E,F,J ,L,N, Q,S,U ,W	1 1
-749B	113T2241-17		DELETED		
-751 -751A	113T2241-2 113T2241-16		.PANEL ASSY-LWR .PANEL ASSY-LWR	C,D G,H,K ,M,P, R,T,V ,X	1 1
-751B	113T2241-18		DELETED		

57-53-27

 ILLUSTRATED PARTS LIST  
 01.101 Page 1042H  
 Mar 01/05


**BOEING**  
 COMPONENT  
 MAINTENANCE MANUAL

FIG. & ITEM	PART NO.	AIRLINE PART NUMBER	NOMENCLATURE 1234567	EFF CODE	QTY PER ASSY
02- -753	113T2207-3		.LEADING EDGE INSTL- (USED ON ITEM 5G)	A,B	1
-753A	113T2207-15		.LEADING EDGE INSTL- (USED ON ITEMS 5H, 5J, 5K, 5L)	A,B,E	1
-753B	113T2207-17		DELETED		
-753C	113T2207-23		.LEADING EDGE INSTL	F,J,L ,N,Q, S,U,W	1
-755	113T2207-4		.LEADING EDGE INSTL- (USED ON ITEM 6)	C,D	1
-755A	113T2207-16		.LEADING EDGE INSTL- (USED ON ITEMS 6A, 6B, 6C, 6D)	C,D,G	1
-755B	113T2207-18		DELETED		
-755C	113T2207-24		.LEADING EDGE INSTL	H,K,M ,P,R, T,V,X	1
757	HL10VAZ6-3		..BOLT- (V60516) (SPEC BACB30MY6K3) (OPT B30MY6K3 (V97928))	A-X	55
759	113T2207-11		..SHIM	A-X	1
761	HL79-6		..COLLAR- (V5M902) (SPEC BACC30M6) (OPT HL79-6 (V73197)) (OPT HL79-6 (V92215)) (OPT 66014-6 (V56878)) (OPT HL79-6 (V56878))	A-X	55
763	113T2212-5		..RIB ASSY-NOSE	A,B,E ,F,J, L,N,Q ,S,U, W	1

57-53-27

 ILLUSTRATED PARTS LIST  
 01.101 Page 1042I  
 Mar 01/05

FIG. & ITEM	PART NO.	AIRLINE PART NUMBER	NOMENCLATURE 1234567	EFF CODE	QTY PER ASSY
02- -765	113T2212-6		..RIB ASSY-NOSE	C,D,G H,K, M,P,R T,V, X	1
			ATTACHING PARTS		
767	BACB30NN3K8		DELETED		
767A	BACB30NN3K6		..BOLT	A-X	8
768	BACS40R09C12F		..SHIM -----*-----	A-X	1
770	BACN10JQ35		DELETED		
770A	BRFM22A3-3		...NUTPLATE- (V52828) (SPEC BACN10JQ33) (OPT MF19058-3-3BAC (V15653))	A-X	1
771	BACN10JQ36		DELETED		
771A	BRFM22A4-3		...NUTPLATE- (V52828) (SPEC BACN10JQ34) (OPT MF19058-3-4BAC (V15653))	A-X	6
771G	BACN10JQ32		...NUTPLATE ATTACHING PARTS	A-X	1
772	BACR15BA3AD		...RIVET- (SIZE DETERMINE ON INST) -----*-----	A-X	16
774	113T2212-27		...RIB	A,B,E F,J, L,N,Q S,U, W	1
-776	113T2212-28		...RIB	C,D,G H,K, M,P,R T,V, X	1
778	113T2212-7		..RIB ASSY-NOSE (USED ON ITEM 753)	A,B	1
-780	113T2212-8		..RIB ASSY-NOSE (USED ON ITEM 755) ATTACHING PARTS	C,D	1

57-53-27

 ILLUSTRATED PARTS LIST  
 01.101 Page 1042J  
 Mar 01/05




**BOEING**  
 COMPONENT  
 MAINTENANCE MANUAL

FIG. & ITEM	PART NO.	AIRLINE PART NUMBER	NOMENCLATURE 1234567	EFF CODE	QTY PER ASSY
02-					
782	BACB30NN3K8		DELETED		
782A	BACB30NN3K6		..BOLT	A-D	8
783	BACS40R09C12F		..SHIM -----*-----	A-D	1
784	BACN10JQ34		DELETED		
784A	BACN10JQ32		...NUTPLATE	A-D	1
785	BACN10JQ35		DELETED		
785A	BRFM22A3-3		...NUTPLATE- (V52828) (SPEC BACN10JQ33) (OPT MF19058-3-3BAC (V15653))	A-D	1
786	BACN10JQ36		DELETED		
786A	BRFM22A4-3		...NUTPLATE- (V52828) (SPEC BACN10JQ34) (OPT MF19058-3-4BAC (V15653))	A-D	6
787	BACR15BA3AD		ATTACHING PARTS ...RIVET- (SIZE DETERMINE ON INST) -----*-----	A-D	16
789	113T2212-29		...RIB-NOSE	A,B	1
-791	113T2212-30		...RIB-NOSE	C,D	1
793	113T2212-9		..RIB ASSY-NOSE (USED ON ITEM 753)	A,B	1
-795	113T2212-10		..RIB ASSY-NOSE (USED ON ITEM 755) ATTACHING PARTS	C,D	1

57-53-27

 ILLUSTRATED PARTS LIST  
 01.101 Page 1042K  
 Mar 01/05

FIG. & ITEM	PART NO.	AIRLINE PART NUMBER	NOMENCLATURE 1234567	EFF CODE	QTY PER ASSY
02-					
797	BACB30NN3K8		DELETED		
797A	BACB30NN3K6		..BOLT	A-D	8
798	BACS40R09C12F		..SHIM -----*-----	A-D	1
799	BACN10JQ34		DELETED		
799A	BACN10JQ32		...NUTPLATE	A-D	1
800	BACN10JQ35		DELETED		
800A	BRFM22A3-3		...NUTPLATE- (V52828) (SPEC BACN10JQ33) (OPT MF19058-3-3BAC (V15653))	A-D	1
801	BACN10JQ36		DELETED		
801A	BRFM22A4-3		...NUTPLATE- (V52828) (SPEC BACN10JQ34) (OPT MF19058-3-4BAC (V15653))	A-D	6
802	BACR15BA3AD		ATTACHING PARTS ...RIVET- (SIZE DETERMINE ON INST) -----*-----	A-D	16
804	113T2212-31		...RIB	A,B	1
-806	113T2212-32		...RIB	C,D	1
808	113T2207-5		..DOUBLER ASSY-LE RIB	A,B,E ,F,J, L,N,Q ,S,U, W	1

**57-53-27**

 ILLUSTRATED PARTS LIST  
 01.101 Page 1042L  
 Mar 01/05

**BOEING**  
 COMPONENT  
 MAINTENANCE MANUAL

FIG. & ITEM	PART NO.	AIRLINE PART NUMBER	NOMENCLATURE 1234567	EFF CODE	QTY PER ASSY
02- -810	113T2207-6		..DOUBLER ASSY-LE RIB	C,D,G ,H,K, M,P,R ,T,V, X	1
			ATTACHING PARTS		
812	BACB30NN3K8		DELETED		
812A	BACB30NN3K6		..BOLT	A-X	40
812G	BACB30NN4K7		..BOLT	A-X	2
812N	BACB30LK3-7		..BOLT	A-X	1
813	BACS40R12C20F		..SHIM -----*-----	A-X	2
814	BACN10JQ33		DELETED		
814A	BACN10JQ42		...NUTPLATE	A-X	2
815	BACN10JQ34		DELETED		
815A	BACN10JQ32		...NUTPLATE	A-X	16
816	BACN10JQ35		DELETED		
816A	BRFM22A3-3		...NUTPLATE- (V52828) (SPEC BACN10JQ33) (OPT MF19058-3-3BAC (V15653)) ATTACHING PARTS	A-X	26
817	BACR15BA3AD		...RIVET- (SIZE DETERMINE ON INST) -----*-----	A-X	88
819	113T2212-57		...FILLER	A,B,E ,F,J, L,N,Q ,S,U, W	1
-821	113T2212-58		...FILLER	C,D,G ,H,K, M,P,R ,T,V, X	1
823	113T2212-61		...DOUBLER	A,B,E ,F,J, L,N,Q ,S,U, W	1

**57-53-27**

ILLUSTRATED PARTS LIST  
 01.101 Page 1042M  
 Mar 01/05

FIG. & ITEM	PART NO.	AIRLINE PART NUMBER	NOMENCLATURE 1234567	EFF CODE	QTY PER ASSY
02- -825	113T2212-62		...DOUBLER	C,D,G ,H,J, M,P,R ,T,V, X	1
827	113T2212-55		...RIB-NOSE	A,B,E ,F,J, L,N,Q ,S,U, W	1
-829	113T2212-56		...RIB-NOSE	C,D,G ,H,K, M,P,R ,T,V, X	1
831	113T2212-3		...RIB-NOSE	A,B,E ,F,J, L,N,Q ,S,U, W	1
-833	113T2212-4		...RIB-NOSE	C,D,G ,H,K, M,P,R ,T,V, X	1
835	113T2212-67		...DOUBLER	A-X	1
837	113T2212-69		...DOUBLER	A-X	1
839	113T2212-11		..RIB ASSY-NOSE	A,B,E ,F,J, L,N,Q ,S,U, W	1

**57-53-27**

 ILLUSTRATED PARTS LIST  
 01.101 Page 1042N  
 Mar 01/05


**BOEING**  
 COMPONENT  
 MAINTENANCE MANUAL

FIG. & ITEM	PART NO.	AIRLINE PART NUMBER	NOMENCLATURE 1234567	EFF CODE	QTY PER ASSY
02- -841	113T2212-12		..RIB ASSY-NOSE	C,D,G H,K, M,P,R T,V, X	1
			ATTACHING PARTS		
843	BACB30NN3K8		DELETED		
843A	BACB30NN3K6		..BOLT	A-X	8
844	BACS40R09C12F		..SHIM -----*-----	A-X	1
845	BACN10JQ34		DELETED		
845A	BACN10JQ32		...NUTPLATE	A-X	1
846	BACN10JQ35		DELETED		
846A	BRFM22A3-3		...NUTPLATE- (V52828) (SPEC BACN10JQ33) (OPT MF19058-3-3BAC (V15653))	A-X	1
847	BACN10JQ36		DELETED		
847A	BRFM22A4-3		...NUTPLATE- (V52828) (SPEC BACN10JQ34) (OPT MF19058-3-4BAC (V15653))	A-X	6
			ATTACHING PARTS		
848	BACR15BA3AD		...RIVET- (SIZE DETERMINE ON INST) -----*-----	A-X	16
850	113T2212-33		...RIB	A,B,E F,J, L,N,Q S,U, W	1

57-53-27

 ILLUSTRATED PARTS LIST  
 01.101 Page 10420  
 Mar 01/05

FIG. & ITEM	PART NO.	AIRLINE PART NUMBER	NOMENCLATURE 1234567	EFF CODE	QTY PER ASSY
02- -852	113T2212-34		...RIB	C,D,G ,H,K, M,P,R ,T,V, X	1
854	113T2212-13		..RIB ASSY-NOSE	A,B,E ,F,J, L,N,Q ,S,U, W	1
-856	113T2212-14		..RIB ASSY-NOSE	C,D,G ,H,K, M,P,R ,T,V, X	1
			ATTACHING PARTS		
858	BACB30NN3K8		DELETED		
858A	BACB30NN3K6		..BOLT	A-X	8
859	BACS40R09C12F		..SHIM -----*-----	A-X	1
860	BACN10JQ34		DELETED		
860A	BACN10JQ32		...NUTPLATE	A-X	1
861	BACN10JQ35		DELETED		
861A	BRFM22A3-3		...NUTPLATE- (V52828) (SPEC BACN10JQ33) (OPT MF19058-3-3BAC (V15653))	A-X	1
862	BACN10JQ36		DELETED		
862A	BRFM22A4-3		...NUTPLATE- (V52828) (SPEC BACN10JQ34) (OPT MF19058-3-4BAC (V15653)) ATTACHING PARTS	A-X	6

57-53-27

 ILLUSTRATED PARTS LIST  
 01.101 Page 1042P  
 Mar 01/05

**BOEING**  
 COMPONENT  
 MAINTENANCE MANUAL

FIG. & ITEM	PART NO.	AIRLINE PART NUMBER	NOMENCLATURE 1234567	EFF CODE	QTY PER ASSY
02-863	BACR15BA3AD		...RIVET- (SIZE DETERMINE ON INST) -----*-----	A-X	16
865	113T2212-35		...RIB	A,B,E ,F,J, L,N,Q ,S,U, W	1
-867	113T2212-36		...RIB	C,D,G ,H,K, M,P,R ,T,V, X	1
869	113T2212-15		..RIB ASSY-NOSE	A,B,E ,F,J, L,N,Q ,S,U, W	1
-871	113T2212-16		..RIB ASSY-NOSE	C,D,G ,H,K, M,P,R ,T,V, X	1
873	BACB30NN3K8		DELETED		
873A	BACB30NN3K6		..BOLT	A-X	8
874	BACS40R09C12F		..SHIM -----*-----	A-X	1
875	BACN10JQ34		DELETED		
875A	BACN10JQ32		...NUTPLATE	A-X	1
876	BACN10JQ35		DELETED		
876A	BRFM22A3-3		...NUTPLATE- (V52828) (SPEC BACN10JQ33) (OPT MF19058-3-3BAC (V15653))	A-X	1
877	BACN10JQ36		DELETED		
877A	BRFM22A4-3		...NUTPLATE- (V52828) (SPEC BACN10JQ34) (OPT MF19058-3-4BAC (V15653)) ATTACHING PARTS	A-X	6

**57-53-27**

ILLUSTRATED PARTS LIST  
 01.101 Page 1042Q  
 Mar 01/05

FIG. & ITEM	PART NO.	AIRLINE PART NUMBER	NOMENCLATURE 1234567	EFF CODE	QTY PER ASSY
02-878	BACR15BA3AD		...RIVET- (SIZE DETERMINE ON INST) -----*-----	A-X	16
880	113T2212-37		...RIB-NOSE	A,B,E ,F,J, L,N,Q ,S,U, W	1
-882	113T2212-38		...RIB-NOSE	C,D,G ,H,K, M,P,R ,T,V, X	1
884	113T2207-7		..PLATE ASSY-LE RIB SPLICE	A,B,E ,F,J, L,N,Q ,S,U, W	1
-886	113T2207-8		..PLATE ASSY-LE RIB SPLICE	C,D,G ,H,K, M,P,R ,T,V, X	1
			ATTACHING PARTS		
888	BACB30NN3K8		DELETED		
888A	BACB30NN3K6		..BOLT	A-X	15
889	BACB30NN4K7		..BOLT	A-X	1
890	BACS40R11C12F		..SHIM -----*-----	A-X	1

57-53-27

 ILLUSTRATED PARTS LIST  
 01.101 Page 1042R  
 Mar 01/05




**BOEING**  
 COMPONENT  
 MAINTENANCE MANUAL

FIG. & ITEM	PART NO.	AIRLINE PART NUMBER	NOMENCLATURE 1234567	EFF CODE	QTY PER ASSY
02-891	113T2212-63		...PLATE ASSY-SPLICE	A,B,E ,F,J, L,N,Q ,S,U, W	1
-892	113T2212-64		...PLATE ASSY-SPLICE	C,D,G ,H,K, M,P,R ,T,V, X	1
893	BACN10JQ34		DELETED		
893A	BACN10JQ32		....NUTPLATE	A-X	1
894	BACN10JQ35		DELETED		
894A	BRFM22A3-3		....NUTPLATE- (V52828) (SPEC BACN10JQ33) (OPT MF19058-3-3BAC (V15653))	A-X	1
895	BACN10JQ36		DELETED		
895A	BRFM22A4-3		....NUTPLATE- (V52828) (SPEC BACN10JQ34) (OPT MF19058-3-4BAC (V15653)) ATTACHING PARTS	A-X	6
896	BACR15BA3AD		....RIVET- (SIZE DETERMINE ON INST) -----*-----	A-X	16
897	113T2212-65		....PLATE	A,B,E ,F,J, L,N,Q ,S,U, W	1

57-53-27

 ILLUSTRATED PARTS LIST  
 01.101 Page 1042S  
 Mar 01/05

FIG. & ITEM	PART NO.	AIRLINE PART NUMBER	NOMENCLATURE 1234567	EFF CODE	QTY PER ASSY
02- -898	113T2212-66		....PLATE	C,D,G ,H,K, M,P,R ,T,V, X	1
901	BACN10JQ32		DELETED		
901A	BACN10JQ42		...NUTPLATE	A-X	1
902	BACN10JQ34		DELETED		
902A	BACN10JQ32		...NUTPLATE	A-X	1
903	BACN10JQ35		DELETED		
903A	BRFM22A3-3		...NUTPLATE- (V52828) (SPEC BACN10JQ33) (OPT MF19058-3-3BAC (V15653)) ATTACHING PARTS	A-X	6
904	BACR15BA3AD		...RIVET- (SIZE DETERMINE ON INST) -----*-----	A-X	16
905	113T2212-51		...RIB	A,B,E ,F,J, L,N,Q ,S,U, W	1
-906	113T2212-52		...RIB	C,D,G ,H,K, M,P,R ,T,V, X	1
907	113T2212-17		..RIB ASSY-NOSE	A,B,E ,F,J, L,N,Q ,S,U, W	1
-908	113T2212-18		..RIB ASSY-NOSE	C,D,G ,H,K, M,P,R ,T,V, X	1
			ATTACHING PARTS		

57-53-27

 ILLUSTRATED PARTS LIST  
 01.101 Page 1042T  
 Mar 01/05

**BOEING**  
 COMPONENT  
 MAINTENANCE MANUAL

FIG. & ITEM	PART NO.	AIRLINE PART NUMBER	NOMENCLATURE 1234567	EFF CODE	QTY PER ASSY
02-					
909	BACB30NN3K8		DELETED		
909A	BACB30NN3K6		..BOLT	A-X	8
910	BACS40R09C12F		..SHIM -----*-----	A-X	1
911	BACN10JQ34		DELETED		
911A	BACN10JQ32		...NUTPLATE	A-X	1
912	BACN10JQ35		DELETED		
912A	BRFM22A3-3		...NUTPLATE- (V52828) (SPEC BACN10JQ33) (OPT MF19058-3-3BAC (V15653))	A-X	1
913	BACN10JQ36		DELETED		
913A	BRFM22A4-3		...NUTPLATE- (V52828) (SPEC BACN10JQ34) (OPT MF19058-3-4BAC (V15653))	A-X	6
914	BACR15BA3AD		ATTACHING PARTS ...RIVET- (SIZE DETERMINE ON INST) -----*-----	A-X	16
915	113T2212-39		...RIB	A,B,E ,F,J, L,N,Q ,S,U, W	1
-916	113T2212-40		...RIB	C,D,G ,H,K, M,P,R ,T,V, X	1
917	113T2212-19		..RIB ASSY-NOSE	A,B,E ,F,J, L,N,Q ,S,U, W	1
-918	113T2212-20		..RIB ASSY-NOSE	C,D,G ,H,K, M,P,R ,T,V, X	1
			ATTACHING PARTS		

**57-53-27**

ILLUSTRATED PARTS LIST  
 01.101 Page 1042U  
 Mar 01/05

FIG. & ITEM	PART NO.	AIRLINE PART NUMBER	NOMENCLATURE 1234567	EFF CODE	QTY PER ASSY
02-					
919	BACB30NN3K8		DELETED		
919A	BACB30NN3K6		..BOLT	A-X	8
920	BACS40R09C12F		..SHIM -----*-----	A-X	1
921	BACN10JQ34		DELETED		
921A	BACN10JQ32		...NUTPLATE	A-X	1
922	BACN10JQ35		DELETED		
922A	BRFM22A3-3		...NUTPLATE- (V52828) (SPEC BACN10JQ33) (OPT MF19058-3-3BAC (V15653))	A-X	1
923	BACN10JQ36		DELETED		
923A	BRFM22A4-3		...NUTPLATE- (V52828) (SPEC BACN10JQ34) (OPT MF19058-3-4BAC (V15653))	A-X	6
924	BACR15BA3AD		ATTACHING PARTS ...RIVET- (SIZE DETERMINE ON INST) -----*-----	A-X	16
925	113T2212-41		...RIB	A,B,E ,F,J, L,N,Q ,S,U, W	1
-927	113T2212-42		...RIB	C,D,G ,H,K, M,P,R ,T,V, X	1

**57-53-27**

 ILLUSTRATED PARTS LIST  
 01.101 Page 1042V  
 Mar 01/05

**BOEING**  
 COMPONENT  
 MAINTENANCE MANUAL

FIG. & ITEM	PART NO.	AIRLINE PART NUMBER	NOMENCLATURE 1234567	EFF CODE	QTY PER ASSY
02-929	113T2212-21		..RIB ASSY-NOSE	A,B,E F,J L,N,Q S,U W	1
-931	113T2212-22		..RIB ASSY-NOSE	C,D,G H,K M,P,R T,V X	1
			ATTACHING PARTS		
933	BACB30NN3K8		DELETED		
933A	BACB30NN3K6		..BOLT	A-X	8
934	BACS40R09C12F		..SHIM -----*-----	A-X	1
935	BACN10JQ34		DELETED		
935A	BACN10JQ32		...NUTPLATE	A-X	1
936	BACN10JQ35		DELETED		
936A	BRFM22A3-3		...NUTPLATE- (V52828) (SPEC BACN10JQ33) (OPT MF19058-3-3BAC (V15653))	A-X	1
937	BACN10JQ36		DELETED		
937A	BRFM22A4-3		...NUTPLATE- (V52828) (SPEC BACN10JQ34) (OPT MF19058-3-4BAC (V15653)) ATTACHING PARTS	A-X	6

**57-53-27**

ILLUSTRATED PARTS LIST  
 01.101 Page 1042W  
 Mar 01/05

FIG. & ITEM	PART NO.	AIRLINE PART NUMBER	NOMENCLATURE 1234567	EFF CODE	QTY PER ASSY
02-939	BACR15BA3AD		...RIVET- (SIZE DETERMINE ON INST) -----*-----	A-X	16
941	113T2212-43		...RIB	A,B,E ,F,J, L,N,Q ,S,U, W	1
-943	113T2212-44		...RIB	C,D,G ,H,K, M,P,R ,T,V, X	1
945	113T2212-23		..RIB ASSY-NOSE	A,B,E ,F,J, L,N,Q ,S,U, W	1
-947	113T2212-24		..RIB ASSY-NOSE	C,D,G ,H,K, M,P,R ,T,V, X	1
			ATTACHING PARTS		
949	BACB30NN3K8		DELETED		
949A	BACB30NN3K6		..BOLT	A-X	8
951	BACS40R09C12F		..SHIM -----*-----	A-X	1
953	BACN10JQ34		DELETED		
953A	BACN10JQ32		...NUTPLATE	A-X	1
955	BACN10JQ35		DELETED		
955A	BRFM22A3-3		...NUTPLATE- (V52828) (SPEC BACN10JQ33) (OPT MF19058-3-3BAC (V15653))	A-X	1
957	BACN10JQ36		DELETED		
957A	BRFM22A4-3		...NUTPLATE- (V52828) (SPEC BACN10JQ34) (OPT MF19058-3-4BAC (V15653)) ATTACHING PARTS	A-X	6

57-53-27

 ILLUSTRATED PARTS LIST  
 01.101 Page 1042X  
 Mar 01/05


**BOEING**  
 COMPONENT  
 MAINTENANCE MANUAL

FIG. & ITEM	PART NO.	AIRLINE PART NUMBER	NOMENCLATURE 1234567	EFF CODE	QTY PER ASSY
02-959	BACR15BA3AD		...RIVET- (SIZE DETERMINE ON INST) -----*-----	A-X	16
961	113T2212-45		...RIB	A,B,E ,F,J, L,N,Q ,S,U, W	1
-963	113T2212-46		...RIB	C,D,G ,H,K, M,P,R ,T,V, X	1
965	113T2212-25		..RIB ASSY-NOSE	A,B,E ,F,J, L,N,Q ,S,U, W	1
-967	113T2212-26		..RIB ASSY-NOSE	C,D,G ,H,K, M,P,R ,T,V, X	1
969	BACB30NN3K8		DELETED		
969A	BACB30NN3K6		..BOLT	A-X	8
971	BACS40R09C12F		..SHIM -----*-----	A-X	1
973	BACN10JQ34		DELETED		
973A	BACN10JQ32		...NUTPLATE	A-X	1
975	BACN10JQ35		DELETED		
975A	BRFM22A3-3		...NUTPLATE- (V52828) (SPEC BACN10JQ33) (OPT MF19058-3-3BAC (V15653))	A-X	1
977	BACN10JQ36		DELETED		
977A	BRFM22A4-3		...NUTPLATE- (V52828) (SPEC BACN10JQ34) (OPT MF19058-3-4BAC (V15653)) ATTACHING PARTS	A-X	6

57-53-27

 ILLUSTRATED PARTS LIST  
 01.101 Page 1042Y  
 Mar 01/05

FIG. & ITEM	PART NO.	AIRLINE PART NUMBER	NOMENCLATURE 1234567	EFF CODE	QTY PER ASSY
02-979	BACR15BA3AD		...RIVET- (SIZE DETERMINE ON INST) -----*-----	A-X	16
981	113T2212-47		...RIB	A,B,E ,F,J, L,N,Q ,S,U, W	1
-983	113T2212-48		...RIB	C,D,G ,H,K, M,P,R ,T,V, X	1
985	113T2211-1		..SKIN-LE INBD	A,B,E ,F,J, L,N,Q ,S,U, W	1
-987	113T2211-2		..SKIN-LE INBD	C,D,G ,H,K, M,P,R ,T,V, X	1
989	113T2211-3		..SKIN-LE CTR	A,B,E ,F,J, L,N,Q ,S,U, W	1
-991	113T2211-4		..SKIN-LE CTR	C,D,G ,H,K, M,P,R ,T,V, X	1

**57-53-27**

 ILLUSTRATED PARTS LIST  
 01.101 Page 1042Z  
 Mar 01/05



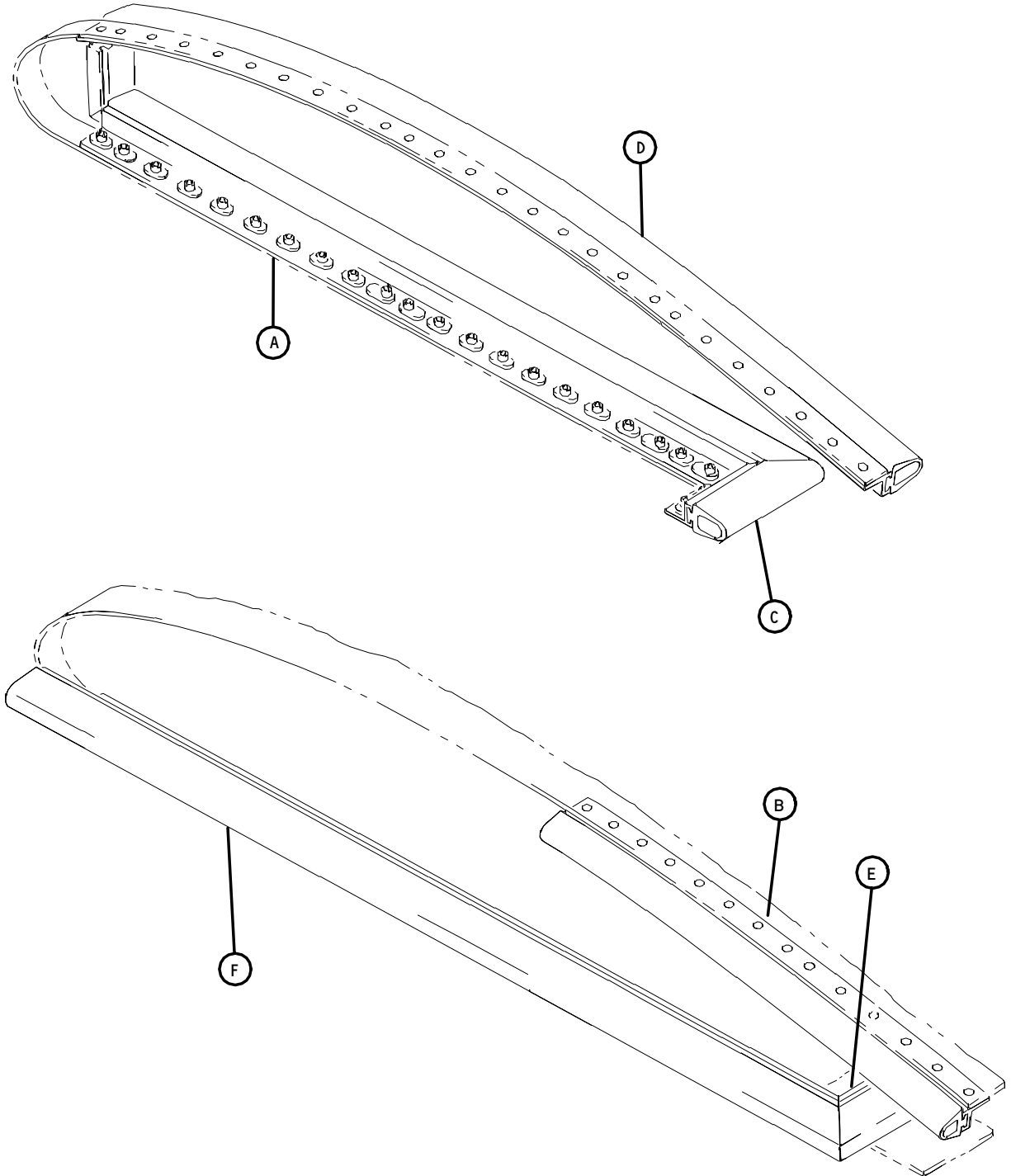
**BOEING**  
 COMPONENT  
 MAINTENANCE MANUAL

FIG. & ITEM	PART NO.	AIRLINE PART NUMBER	NOMENCLATURE 1234567	EFF CODE	QTY PER ASSY
02-993	113T2211-5		..DOOR-LE	A,B,E F,J L,N,Q S,U W	1
-995	113T2211-6		..DOOR-LE	C,D,G H,K M,P,R T,V X	1
997	113T2211-7		..SKIN-LE OUTBD (USED ON ITEM 753)	A,B	1
-997A	113T2211-9		..BOND ASSY-LE SKIN (USED ON ITEM 753A)	A,B,E	1
-997B	113T2211-13		DELETED		
-997C	113T2211-21		..BOND ASSY-LE SKIN	F,J,L N,Q S,U,W	1
-998	113T2211-8		..SKIN-LE OUTBD (USED ON ITEM 755)	C,D	1
-998A	113T2211-10		..BOND ASSY-LE SKIN (USED ON ITEM 755A)	C,D,G	1
-998B	113T2211-22		..BOND ASSY-LE SKIN	H,K,M P,R T,V,X	1
	113T2211-8		DELETED		
	113T2211-10		DELETED		
	113T2211-14		DELETED		

- Item Not Illustrated

**57-53-27**

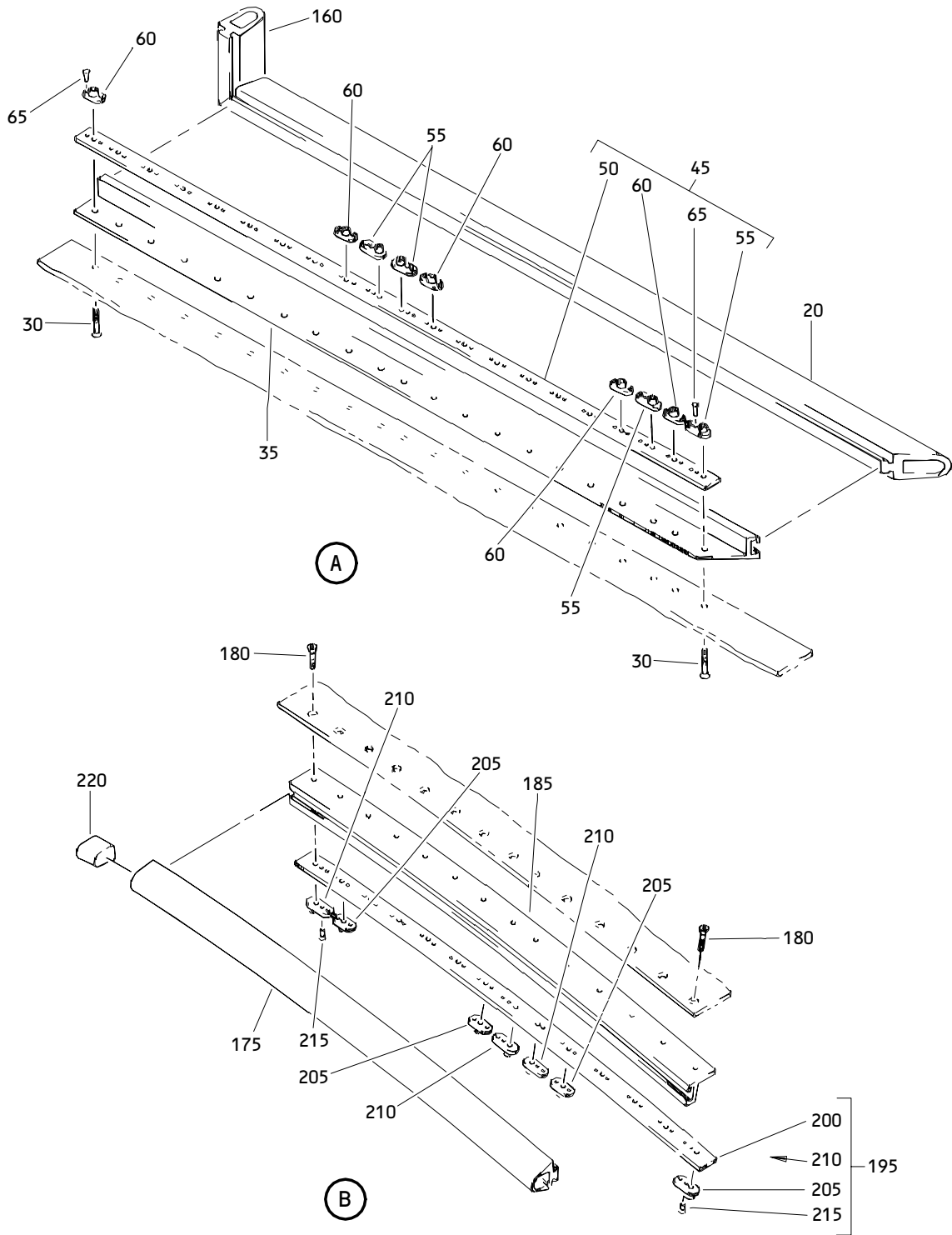
ILLUSTRATED PARTS LIST  
 01.101 Page 1043  
 Mar 01/05



Inboard/Outboard Seal Installation  
Figure 3 (Sheet 1)

**57-53-27**

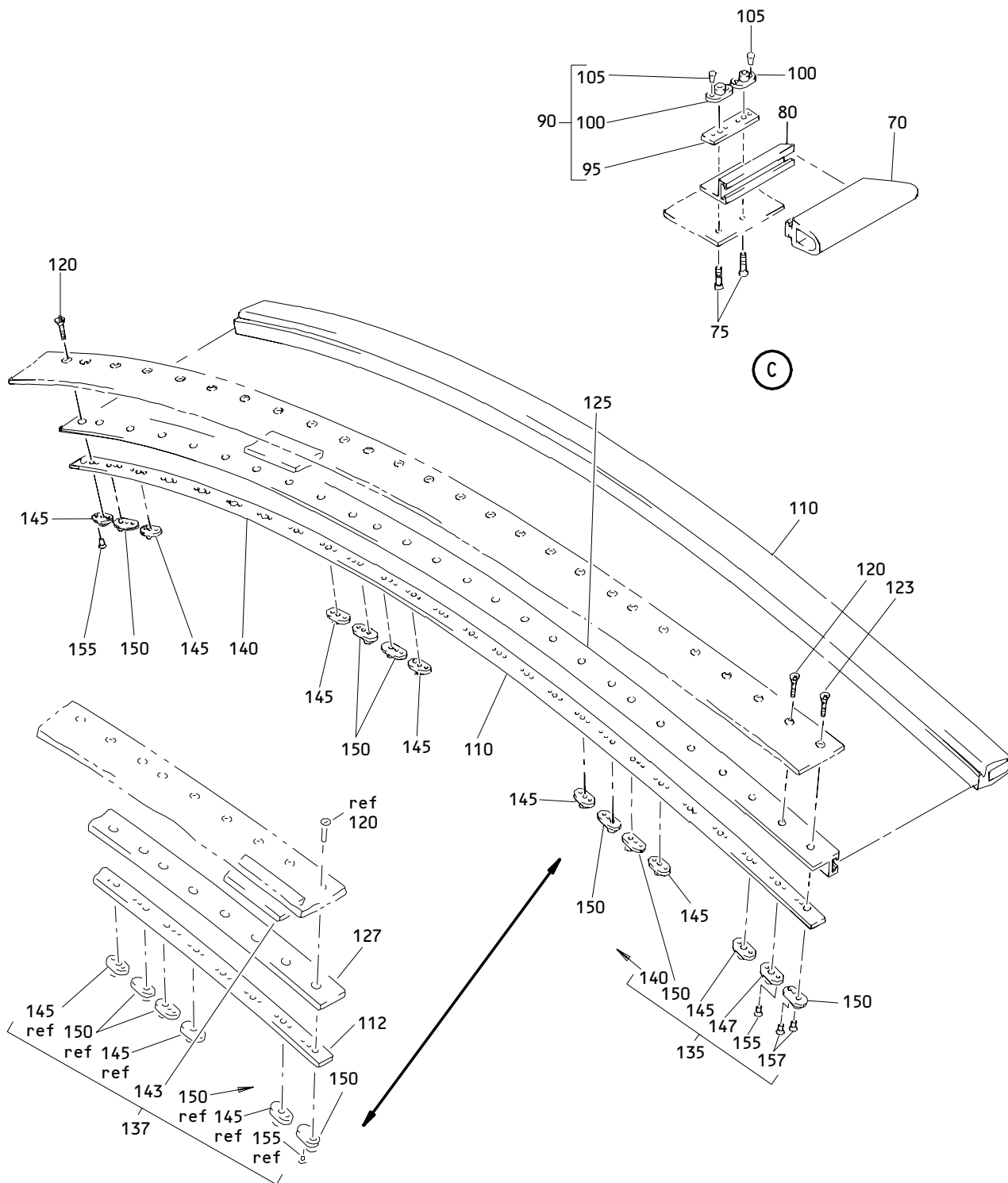
ILLUSTRATED PARTS LIST  
01.101 Page 1044A  
Mar 01/05



**Inboard/Outboard Seal Installation**  
**Figure 3 (Sheet 2)**

**57-53-27**

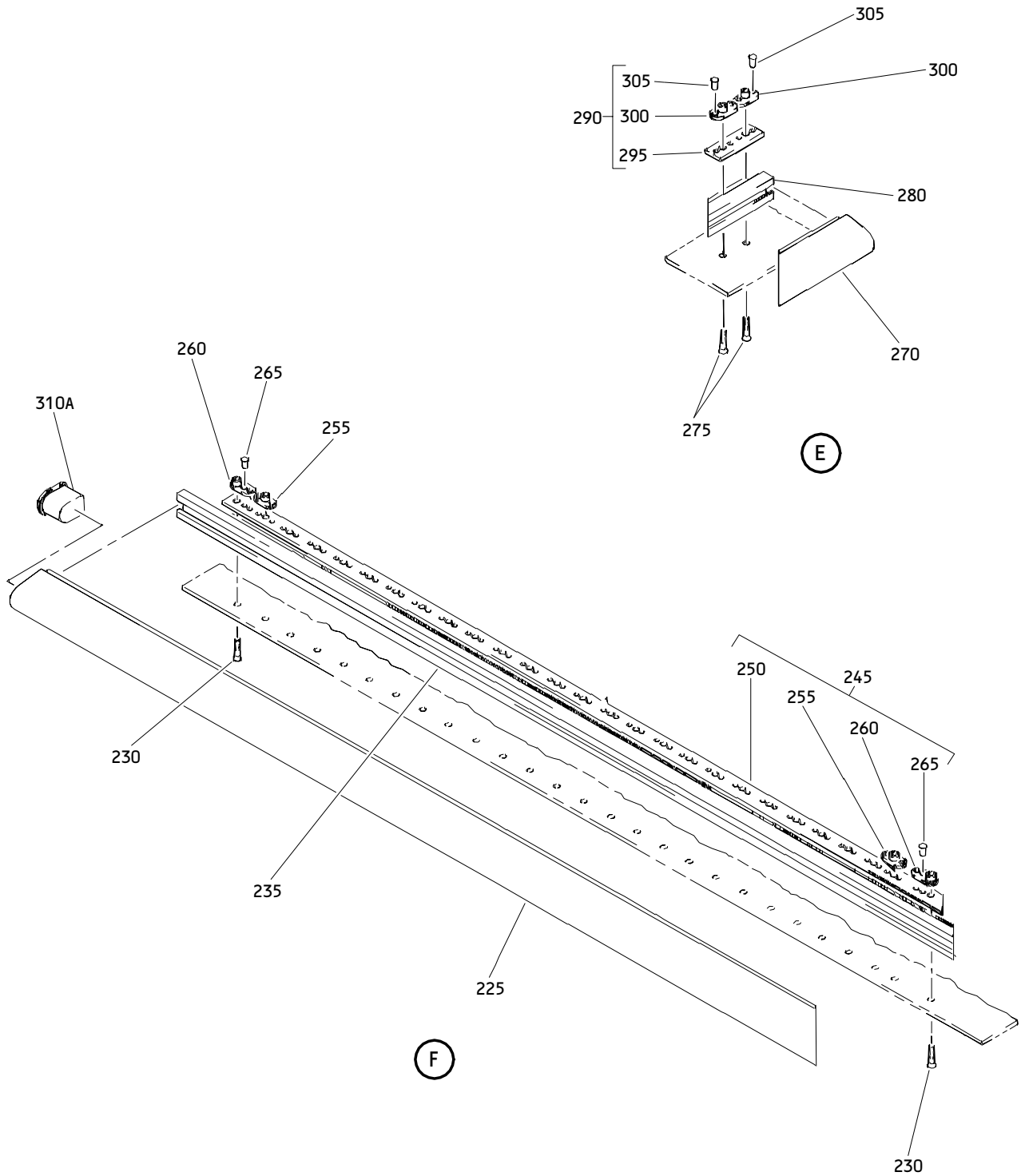
**ILLUSTRATED PARTS LIST**  
 01.101 Page 1044B  
 Mar 01/05



Inboard/Outboard Seal Installation  
Figure 3 (Sheet 3)

**57-53-27**

ILLUSTRATED PARTS LIST  
01.101 Page 1044C  
Mar 01/05



Inboard/Outboard Seal Installation  
 Figure 3 (Sheet 4)

**57-53-27**

ILLUSTRATED PARTS LIST  
 01.101 Page 1044D  
 Mar 01/05

**BOEING**  
 COMPONENT  
 MAINTENANCE MANUAL

FIG. & ITEM	PART NO.	AIRLINE PART NUMBER	NOMENCLATURE 1234567	EFF CODE	QTY PER ASSY
03-					
-1	113T2202-1		SEAL INSTL-INBD (LH)	A,B	RF
-1A	113T2202-43		SEAL INSTL-INBD (LH) (LIMITED)	E	RF
-1B	113T2202-51		DELETED		
-1C	113T2202-53		SEAL INSTL-INBD (LH)	F,J,L ,N,Q, ,S,U,W ,Y,AA ,AC ,AE,AG ,AJ,A ,L,AN, ,AQ	RF
-1D	113T2202-43		DELETED		
-1E	113T2202-57		SEAL INSTL-INBD (LH) (LIMITED)	E	RF
-5	113T2202-3		SEAL INSTL-OUTBD (LH)	A,B,E ,F,J, ,L,N,Q ,S,U, ,W,Y ,AA,AC ,AE,A ,G,AJ, ,AL,AN ,AQ	RF
-10	113T2202-2		SEAL INSTL-INBD (RH)	C,D	RF
-10A	113T2202-44		SEAL INSTL-INBD (RH) (LIMITED)	G	RF
-10B	113T2202-52		DELETED		
-10C	113T2202-54		SEAL INSTL-INBD (RH)	H,K,M ,P,R, ,T,V,X ,Z,AB ,AD ,AF,AH ,AK,A ,M,AP, ,AR	RF
-10D	113T2202-44		DELETED		
-10E	113T2202-58		SEAL INSTL-INBD (RH) (LIMITED)	G	RF

57-53-27

ILLUSTRATED PARTS LIST  
 01.101 Page 1044E  
 Mar 01/05

FIG. & ITEM	PART NO.	AIRLINE PART NUMBER	NOMENCLATURE	EFF CODE	QTY PER ASSY
03-15	113T2202-4		SEAL INSTL-OUTBD (RH)	C,D,G H,K, M,P,R T,V, X,Z AB,AD AF,A H,AK, AM,AP AR A,B,E	RF
20	113T2202-11		.SEAL-LWR INBD (MFD FROM EXTRUSION RUBBER F25.01 10-60754-321 33.50 IN.) (USED ON ITEMS 1, 1A, 1E) (FOR SPARES PROCURE 10-60754-321)		1
-20A	113T2202-55		.SEAL-LWR INBD (MFD FROM EXTRUSION RUBBER F25.01 10-60754-93 33.50 IN.) (OPT ITEM 20B) (USED ON ITEM 1C)	F,J,L N,Q, S,U,W Y,AA AC AE,AG AJ,A L,AN, AQ	1
-20B	113T2202-11		.SEAL-LWR INBD (MFD FROM EXTRUSION RUBBER F25.01 10-60754-321 33.50 IN.) (OPT ITEM 20A) (USED ON ITEM 1C) (FOR SPARES PROCURE 10-60754-321)	F,J,L N,Q, S,U,W Y,AA AC AE,AG AJ,A L,AN, AQ	1

# 57-53-27

 ILLUSTRATED PARTS LIST  
 01.101 Page 1044F  
 Mar 01/05


**BOEING**  
 COMPONENT  
 MAINTENANCE MANUAL

FIG. & ITEM	PART NO.	AIRLINE PART NUMBER	NOMENCLATURE 1234567	EFF CODE	QTY PER ASSY
03- -25	113T2202-12		.SEAL-LWR INBD (MFD FROM EXTRUSION RUBBER F25.01 10-60754-321 33.50 IN.) (USED ON ITEMS 10, 10A, 10E) (FOR SPARES PROCURE 10-60754-321)	C,D,G	1
-25A	113T2202-56		.SEAL-LWR INBD (MFD FROM EXTRUSION RUBBER F25.01 10-60754-93 33.50 IN.) (OPT ITEM 25B) (USED ON ITEM 10C)	H,K,M ,P,R, T,V,X ,Z,AB ,AD AF,AH ,AK,A M,AP, AR	1
-25B	113T2202-12		.SEAL-LWR INBD (MFD FROM EXTRUSION RUBBER F25.01 10-60754-321 33.50 IN.) (OPT ITEM 25A) (USED ON ITEM 10C)	H,K,M ,P,R, T,V,X ,Z,AB ,AD AF,AH ,AK,A M,AP, AR	1
30	BACB30NN3K7		.BOLT- (USED ON ITEMS 1, 1A, 1C, 1E, 10, 10A, 10C, 10E)		21
35	113T2202-13		.RETAINER-LWR (USED ON ITEMS 1, 1A, 1C, 1E)	A,B,E ,F,J, L,N,S ,U,W, Y,AA AC,AE ,AG,A J,AL, AN,AQ	1

57-53-27

 ILLUSTRATED PARTS LIST  
 01.101 Page 1044G  
 Mar 01/05



FIG. & ITEM	PART NO.	AIRLINE PART NUMBER	NOMENCLATURE 1234567	EFF CODE	QTY PER ASSY
03-40	113T2202-14		.RETAINER-LWR (USED ON ITEMS 10, 10A, 10C, 10E)	C,D,G ,H,K, M,P,R ,T,V, X,Z AB,AD ,AF,A H,AK, AM,AP ,AR	1
45	113T2202-23		.STRAP ASSY-LWR INBD (MFD FROM 10-60754-321 38.50 IN.) (USED ON ITEMS 1, 1A, 1C, 1E, 10, 10A, 10C, 10E)		1
50	113T2202-24		..STRAP-LWR INBD		1
55	NS103194-02-4		..NUTPLATE- (V80539) (SPEC BACN10KE3E4) (OPT F51752-3-4 (V15653)) (OPT RMF9216-4-3 (V72962)) (OPT BRFR120A3-4 (V52828))		4
60	NS103191-02-4		..NUTPLATE- (V80539) (SPEC BACN10KE3B4) (OPT F51750-3-4 (V15653)) (OPT RMF9213-4-3 (V72962)) (OPT BRFR220A3-4 (V52828)) ATTACHING PARTS		17

# 57-53-27

 ILLUSTRATED PARTS LIST  
 01.101 Page 1044H  
 Mar 01/05


**BOEING**  
 COMPONENT  
 MAINTENANCE MANUAL

FIG. & ITEM	PART NO.	AIRLINE PART NUMBER	NOMENCLATURE 1234567	EFF CODE	QTY PER ASSY
03-65	BACR15BA3AD		..RIVET- (SIZE DETERMINE ON INST) -----*-----		42
70	113T2202-17		.SEAL- (MFD FROM EXTRUSION RUBBER F25.01 10-60754-321 5.00 IN.) (USED ON ITEMS 1, 1A, 1E, 10, 10A, 10E) (FOR SPARES PROCURE 10-60754-321)	A,B,E ,G	1
-70A	113T2202-17		DELETED		
-70B	113T2202-65		DELETED		
-70C	113T2202-71		.SEAL- (USED ON ITEMS 1C, 10C)	F,H-A R	1
75	BACB30NN3K7		.BOLT- (USED ON ITEMS 1, 1A, 1C, 1E, 10, 10A, 10C, 10E)		2
80	113T2202-21		.RETAINER- (USED ON ITEMS 1, 1A, 1C, 1E)	A,B,E ,F,J, L,N,Q ,S,U, W,Y AA,AC ,AE,A G,AJ, AL,AN ,AQ	1

57-53-27

 ILLUSTRATED PARTS LIST  
 01.101 Page 1044I  
 Mar 01/05

FIG. & ITEM	PART NO.	AIRLINE PART NUMBER	NOMENCLATURE 1234567	EFF CODE	QTY PER ASSY
03-85	113T2202-22		.RETAINER- (USED ON ITEMS 10, 10A, 10C, 10E)	C,D,G ,H,K, M,P,R ,T,V, X,Z AB,AD ,AF,A H,AK, AM,AP ,AR	1
90	113T2202-19		.STRAP ASSY- (USED ON ITEMS 1, 1A, 1C, 1E, 10, 10A, 10C, 10E)		1
95	113T2202-20		..STRAP		1
100	NS103191-02-4		..NUTPLATE- (V80539) (SPEC BACN10KE3B4) (OPT F51750-3-4 (V15653)) (OPT RMF9213-4-3 (V72962)) (OPT BRFR220A3-4 (V52828)) ATTACHING PARTS		2
105	BACR15BA3AD		..RIVET- (SIZE DETERMINE ON INST) -----*-----		4
110	113T2202-5		.SEAL-UPR INBD (-5 MAY BE USED IN LIEU OF -45 BY TRIMMING AFT END) (MFD FROM EXTRUSION RUBBER F25.01 10-60754-321 39.50 IN.) (USED ON ITEM 1) (FOR SPARES PROCURE 10-60754-321)	A,B	1

57-53-27

 ILLUSTRATED PARTS LIST  
 01.101 Page 1044J  
 Mar 01/05


**BOEING**  
 COMPONENT  
 MAINTENANCE MANUAL

FIG. & ITEM	PART NO.	AIRLINE PART NUMBER	NOMENCLATURE 1234567	EFF CODE	QTY PER ASSY
03-112	113T2202-45		.SEAL-UPR INBD (-5 MAY BE USED IN LIEU OF -45 BY TRIMMING AFT END) (MFD FROM EXTRUSION RUBBER F25.01 10-60754-321 37.00 LONG) (USED ON ITEM 1A) (FOR SPARES PROCURE 10-60754-321)	E	1
-112A	113T2202-61		.SEAL-UPR INBD (MFD FROM EXTRUSION RUBBER F25.01 10-60754-321 37.00 IN.) (USED ON ITEMS 1C, 1E) (FOR SPARES PROCURE 10-60754-321)	E, F, J , L, N, Q, S, U , W, Y, AA, AC AE, AG , AJ, A L, AN, AQ C, D	1
-115	113T2202-6		.SEAL-UPR INBD (-6 MAY BE USED IN LIEU OF -46 BY TRIMMING AFT END) (MFD FROM EXTRUSION RUBBER F25.01 10-60754-321 39.50 IN.) (USED ON ITEM 10) (FOR SPARES PROCURE 10-60754-321)		1
-117	113T2202-46		.SEAL-UPR INBD (-6 MAY BE USED IN LIEU OF -46 BY TRIMMING AFT END) (MFD FROM EXTRUSION RUBBER F25.01 10-60754-321 37.00 LONG) (USED ON ITEM 10A) (FOR SPARES PROCURE 10-60754-321)	G	1

57-53-27

 ILLUSTRATED PARTS LIST  
 01.101 Page 1044K  
 Mar 01/05

FIG. & ITEM	PART NO.	AIRLINE PART NUMBER	NOMENCLATURE 1234567	EFF CODE	QTY PER ASSY
03- -117A	113T2202-62		.SEAL-UPR INBD (MFD FROM EXTRUSION RUBBER F25.01 10-60754-321 37.00 IN.) (USED ON ITEMS 10C, 10E) (FOR SPARES PROCURE 10-60754-321)	G,H,K ,M,P, ,R,T,V ,X,Z, AB,AD AF,AH ,AK,A M,AP, AR	1
120	BACB30NN3K7		.BOLT- (USED ON ITEMS 1, 1A, 1C, 1E, 10, 10A, 10C, 10E)		25
123	BACB30NN3K7		.BOLT- (USED ON ITEMS 1, 10)	A-D	1
125	113T2202-7		.RETAINER-UPR (USED ON ITEMS 1)	A,B	1
127	113T2202-47		.RETAINER-UPR (USED ON ITEMS 1A, 1C, 1E)	E,F,J ,L,N, Q,S,U ,W,Y, AA,AC AE,AG ,AJ,A L,AN, AQ	1
-130	113T2202-8		.RETAINER-UPR (USED ON ITEMS 10)	C,D	1
-133	113T2202-48		.RETAINER-UPR (USED ON ITEMS 10A, 10C, 10E)	G,H,K ,M,P, ,R,T,V ,X,Z, AB,AD AF,AH ,AK,A M,AP, AR	1

57-53-27

 ILLUSTRATED PARTS LIST  
 01.101 Page 1044L  
 Mar 01/05


**BOEING**  
 COMPONENT  
 MAINTENANCE MANUAL

FIG. & ITEM	PART NO.	AIRLINE PART NUMBER	NOMENCLATURE 1234567	EFF CODE	QTY PER ASSY
03-135	113T2202-9		.STRAP ASSY-UPR INBD (USED ON ITEMS 1, 10)	A-D	1
137	113T2202-49		.STRAP ASSY-UPR INBD (USED ON ITEMS 1A, 1C, 1E, 10A, 10C, 10E)	E-AR	1
140	113T2202-10		..STRAP-UPR PNL	A-D	1
143	113T2202-50		..STRAP-UPR PNL	E-AR	1
145	NS103191-02-4		..NUTPLATE- (V80539) (SPEC BACN10KE3B4) (OPT F51750-3-4 (V15653)) (OPT RMF9213-4-3 (V72962)) (OPT BRFR220A3-4 (V52828))		19
147	NS103191-02-4		..NUTPLATE- (V80539) (SPEC BACN10KE3B4) (OPT F51750-3-4 (V15653)) (OPT RMF9213-4-3 (V72962)) (OPT BRFR220A3-4 (V52828))	A-D	1
150	NS103194-02-4		..NUTPLATE- (V80539) (SPEC BACN10KE3E4) (OPT F51752-3-4 (V15653)) (OPT RMF9216-4-3 (V72962)) (OPT BRFR120A3-4 (V52828)) ATTACHING PARTS		6

57-53-27

 ILLUSTRATED PARTS LIST  
 01.101 Page 1044M  
 Mar 01/05

FIG. & ITEM	PART NO.	AIRLINE PART NUMBER	NOMENCLATURE 1234567	EFF CODE	QTY PER ASSY
03-155	BACR15BA3AD		..RIVET- (SIZE DETERMINE ON INST)		50
157	BACR15BA3AD		..RIVET- (SIZE DETERMINE ON INST) -----*	A-D	2
160	113T2202-15		.SEAL- (MFD FROM EXTRUSION RUBBER F25.01 10-60754-321 4.50 IN.) (USED ON ITEMS 1, 1A) (FOR SPARES PROCURE 10-60754-321)	A,B,E	1
-160A	113T2202-59		.SEAL- (MFD FROM EXTRUSION RUBBER F25.01 10-60754-321 4.50 IN.) (USED ON ITEMS 1C, 1E)	E,F,J ,L,N, Q,S,U ,W,Y, AA,AC AE,AG ,AJ,A L,AN, AQ	1
-165	113T2202-16		.SEAL- (MFD FROM EXTRUSION RUBBER F25.01 10-60754-321 4.50 IN.) (USED ON ITEMS 10, 10A) (FOR SPARES PROCURE 10-60754-321)	C,D,G	1
-165A	113T2202-60		.SEAL- (MFD FROM EXTRUSION RUBBER F25.01 10-60754-321 4.50 IN.) (USED ON ITEMS 10C, 10E) (FOR SPARES PROCURE 10-60754-321)	G,H,K ,M,P, R,T,V ,X,Z, AB,AD AF,AH ,AK,A M,AP, AR	1

**57-53-27**

 ILLUSTRATED PARTS LIST  
 01.101 Page 1044N  
 Mar 01/05


**BOEING**  
 COMPONENT  
 MAINTENANCE MANUAL

FIG. & ITEM	PART NO.	AIRLINE PART NUMBER	NOMENCLATURE 1234567	EFF CODE	QTY PER ASSY
03-					
170	5073-322		DELETED		
170A	5673-322		DELETED		
170B	113T2202-41		DELETED		
175	113T2202-27		.SEAL-UPR OUTBD (MFD FROM EXTRUSION RUBBER F25.01 10-60754-288 20.00 IN.) (USED ON ITEMS 5, 15)		1
180	BACB30NN3K7		.BOLT- (USED ON ITEMS 5, 15)		13
185	113T2202-39		.RETAINER-UPR (USED ON ITEM 5)	A,B,E ,F,J, L,N,Q ,S,U, W,Y AA,AC ,AE,A G,AJ, AL,AN ,AQ	1
-190	113T2202-40		.RETAINER-UPR (USED ON ITEM 15)	C,D,G ,H,K, M,P,R ,T,V, X,Z AB,AD ,AF,A H,AK, AM,AP ,AR	1

57-53-27

ILLUSTRATED PARTS LIST

01.101 Page 10440

Mar 01/05



FIG. & ITEM	PART NO.	AIRLINE PART NUMBER	NOMENCLATURE 1234567	EFF CODE	QTY PER ASSY
03-195	113T2202-25		.STRAP ASSY-UPR OUTBD (USED ON ITEMS 5, 15)		1
200	113T2202-26		..STRAP-UPR OUTBD		1
205	NS103191-02-4		..NUTPLATE- (V80539) (SPEC BACN10KE3B4) (OPT F51750-3-4 (V15653)) (OPT RMF9213-4-3 (V72962)) (OPT BRFR220A3-4 (V52828))		10
210	NS103194-02-4		..NUTPLATE- (V80539) (SPEC BACN10KE3E4) (OPT F51752-3-4 (V15653)) (OPT RMF9216-4-3 (V72962)) (OPT BRFR120A3-4 (V52828))		3
215	BACR15BA3AD		ATTACHING PARTS ..RIVET- (SIZE DETERMINE ON INST) -----*-----		26
220	113T2202-28		.PLUG-END (USED ON ITEM 5, 15)		1
225	113T2202-33		.SEAL-LWR OUTBD (MFD FROM EXTRUSION RUBBER F25.01 10-60754-321 38.50 IN.) (USED ON ITEMS 5, 15) (FOR SPARES PROCURE 10-60754-321)		1

57-53-27

 ILLUSTRATED PARTS LIST  
 01.101 Page 1044P  
 Mar 01/05


**BOEING**  
 COMPONENT  
 MAINTENANCE MANUAL

FIG. & ITEM	PART NO.	AIRLINE PART NUMBER	NOMENCLATURE 1234567	EFF CODE	QTY PER ASSY
03-230	BACB30NN3K7		.BOLT- (USED ON ITEMS 5, 15)		27
235	113T2202-29		.RETAINER- (USED ON ITEM 5)	A,B,E ,F,J, L,N,Q ,S,U, W,Y AA,AC ,AE,A G,AJ, AL,AN ,AQ	1
240	113T2202-30		.RETAINER- (USED ON ITEM 15)	C,D,G ,H,K, M,P,R ,T,V, X,Z AB,AD ,AF,A H,AK, AM,AP ,AR	1
245	113T2202-31		.STRAP ASSY-LWR OUTBD (USED ON ITEMS 5, 15)		1
250	113T2202-32		..STRAP-LWR OUTBD		1
255	NS103191-02-4		..NUTPLATE- (V80539) (SPEC BACN10KE3B4) (OPT F51750-3-4 (V15653)) (OPT RMF9213-4-3 (V72962)) (OPT BRFR220A3-4 (V52828))		25

57-53-27

 ILLUSTRATED PARTS LIST  
 01.101 Page 1044Q  
 Mar 01/05

FIG. & ITEM	PART NO.	AIRLINE PART NUMBER	NOMENCLATURE 1234567	EFF CODE	QTY PER ASSY
03-260	NS103194-02-4		. .NUTPLATE- (V80539) (SPEC BACN10KE3E4) (OPT F51752-3-4 (V15653)) (OPT RMF9216-4-3 (V72962)) (OPT BRFR120A3-4 (V52828)) ATTACHING PARTS		2
265	BACR15BA3AD		. .RIVET- (SIZE DETERMINE ON INST) -----*-----		54
270	113T2202-34		.SEAL-LWR OUTBD (MFD FROM EXTRUSION RUBBER F25.01 10-60754-321 4.80 IN.) (USED ON ITEMS 5, 15) (FOR SPARES PROCURE 10-60754-321)		1
275	BACB30NN3K7		.BOLT- (USED ON ITEMS 5, 15)		2
280	113T2202-37		.RETAINER-LWR (USED ON ITEM 5)	A,B,E ,F,J, L,N,Q ,S,U, W,Y AA,AC ,AE,A G,AJ, AL,AN ,AQ	1

57-53-27

 ILLUSTRATED PARTS LIST  
 01.101 Page 1044R  
 Mar 01/05

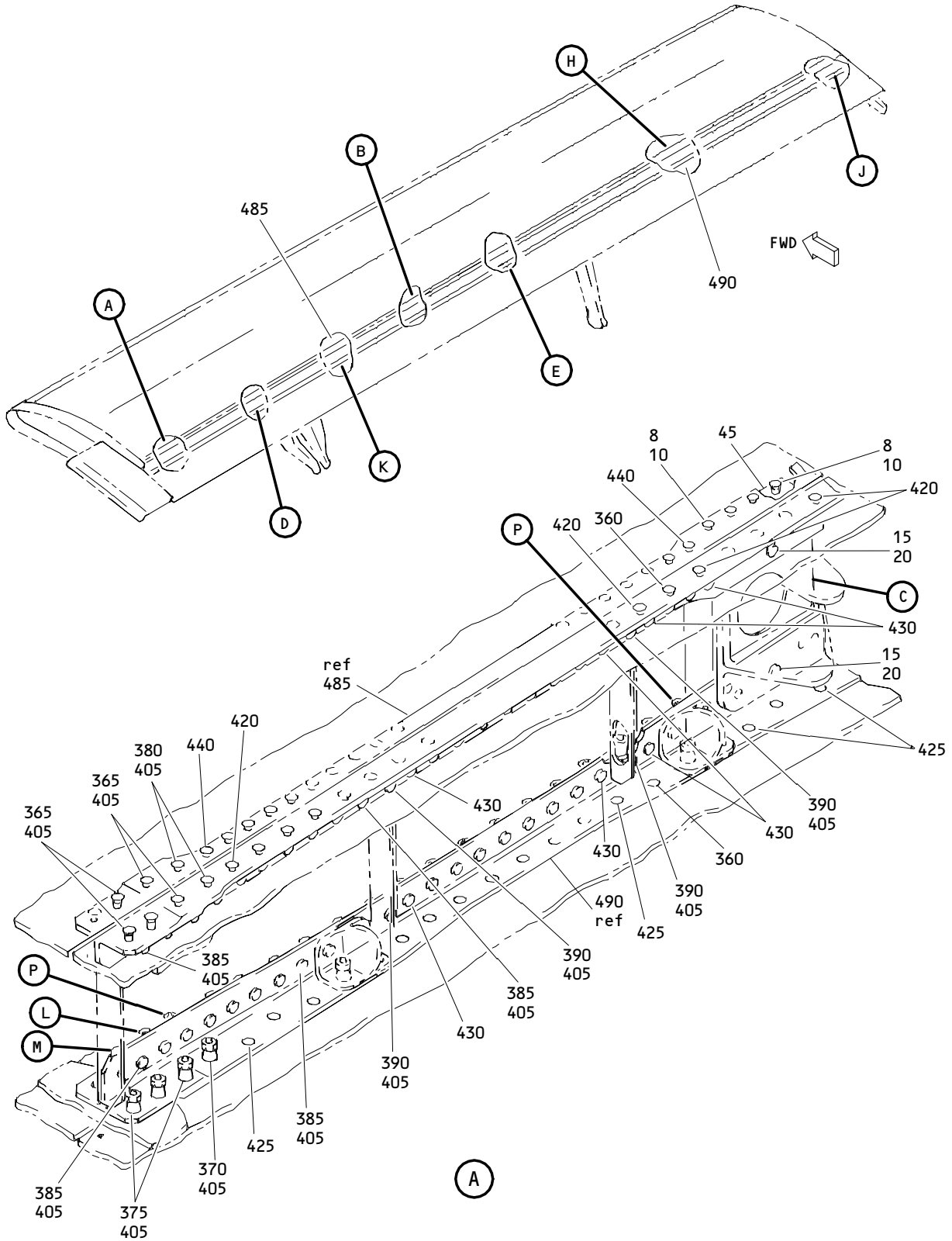

**BOEING**  
 COMPONENT  
 MAINTENANCE MANUAL

FIG. & ITEM	PART NO.	AIRLINE PART NUMBER	NOMENCLATURE 1234567	EFF CODE	QTY PER ASSY
03- -285	113T2202-38		.RETAINER-LWR (USED ON ITEM 15)	C,D,G ,H,K, M,P,R ,T,V, X,Z AB,AD ,AF,A H,AK, AM,AP ,AR	1
290	113T2202-35		.STRAP ASSY-LWR OUTBD (USED ON ITEMS 5, 15)		1
295	113T2202-36		..STRAP-LWR OUTBD		1
300	NS103191-02-4		..NUTPLATE- (V80539) (SPEC BACN10KE3B4) (OPT F51750-3-4 (V15653)) (OPT RMF9213-4-3 (V72962)) (OPT BRFR220A3-4 (V52828)) ATTACHING PARTS		2
305	BACR15BA3AD		..RIVET- (SIZE DETERMINE ON INST) -----*-----		4
310	5073-322		DELETED		
310A	5673-322		DELETED		
310B	CG3824		.PLUG-END (V25099) (SPEC 10-60754-322) (OPT 5673-322 (V11960)) (USED ON ITEMS 5, 15)		1

- Item Not Illustrated

57-53-27

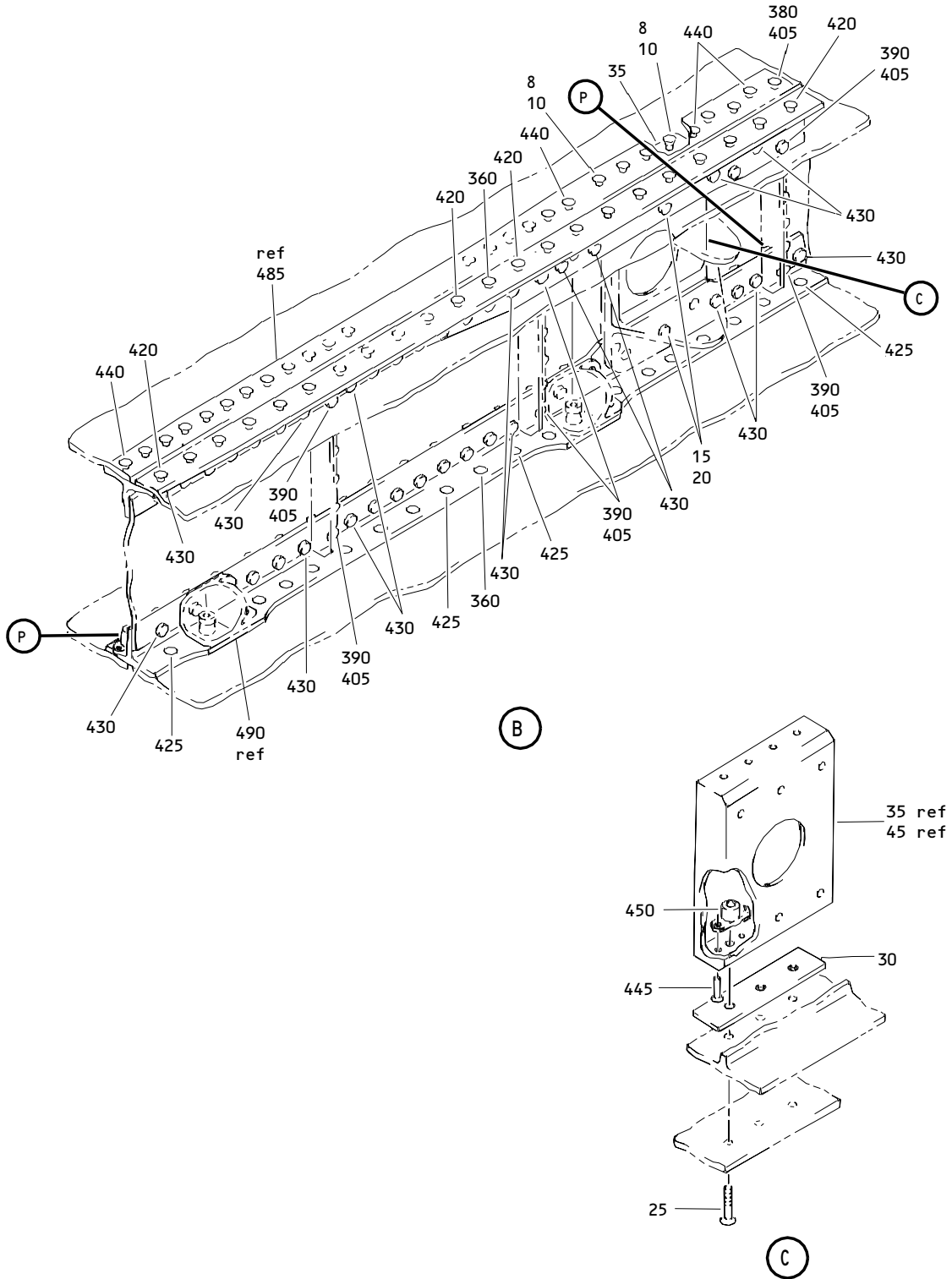
 ILLUSTRATED PARTS LIST  
 01.101 Page 1044S  
 Mar 01/05



Inboard Trailing Edge Flap Rear Spar Installation  
 Figure 4 (Sheet 1)

**57-53-27**

ILLUSTRATED PARTS LIST  
 01.101 Page 1044T  
 Mar 01/05



Inboard Trailing Edge Flap Rear Spar Installation  
Figure 4 (Sheet 2)

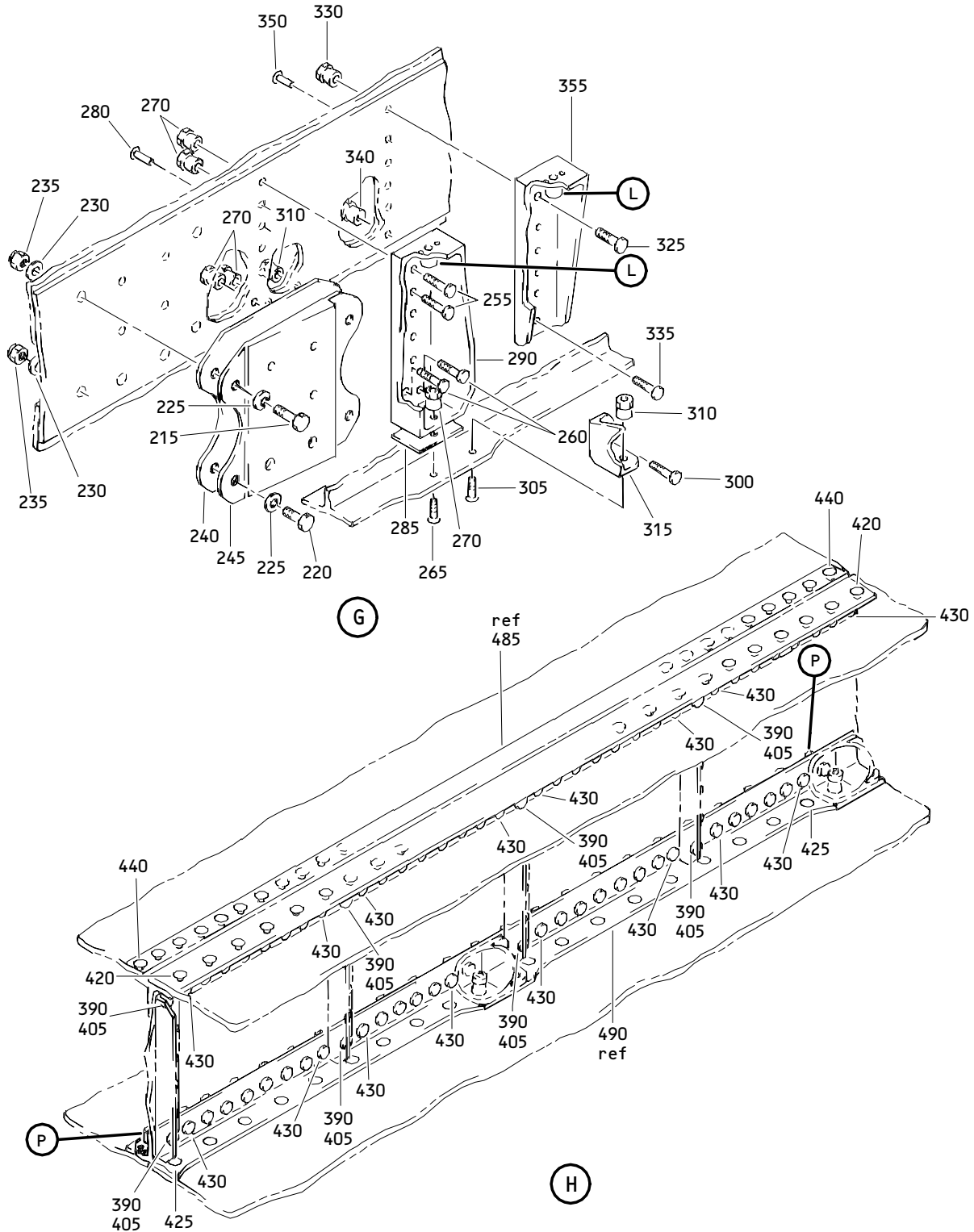
**57-53-27**

ILLUSTRATED PARTS LIST  
01.101 Page 1044U  
Mar 01/05





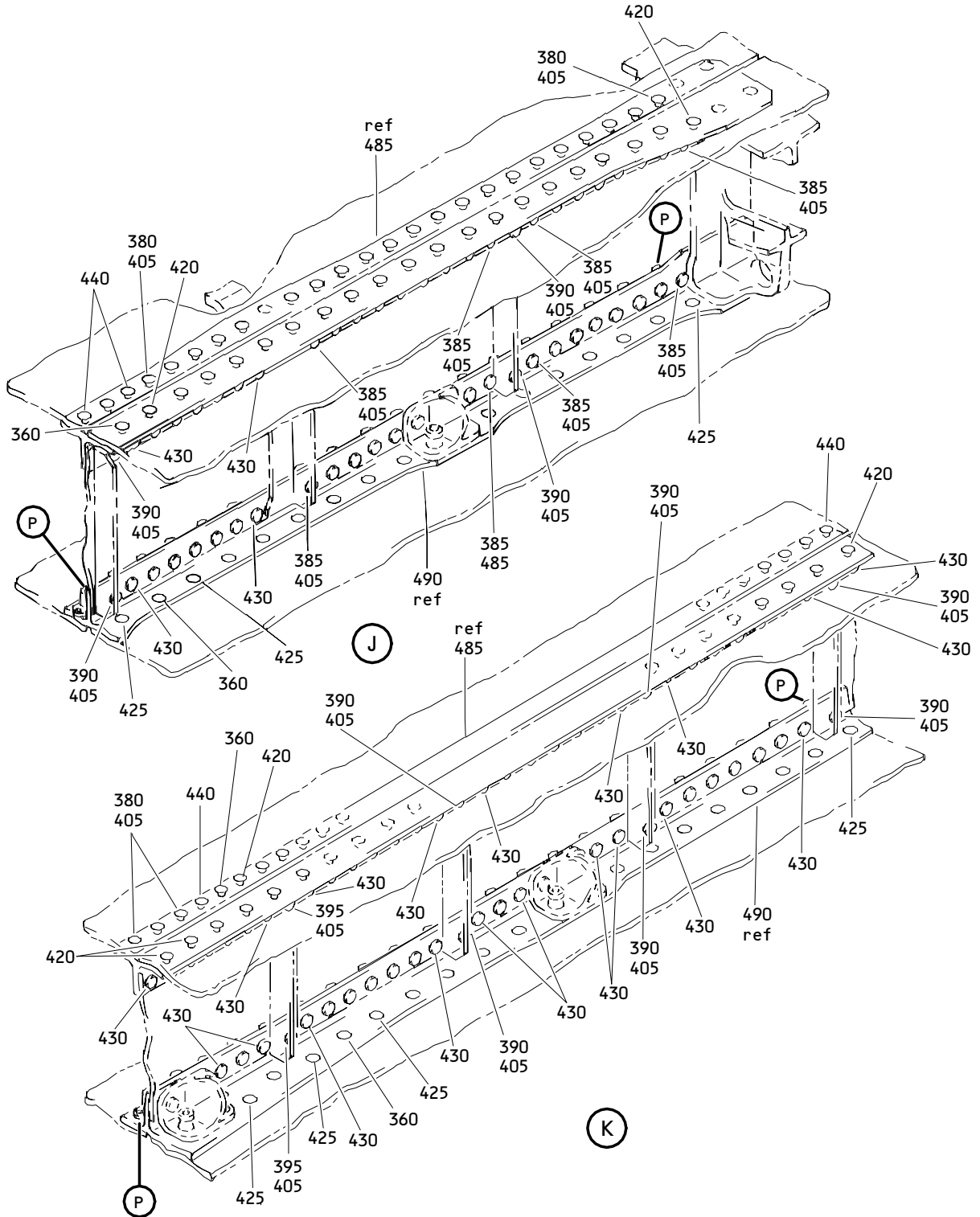




Inboard Trailing Edge Flap Rear Spar Installation  
 Figure 4 (Sheet 5)

**57-53-27**

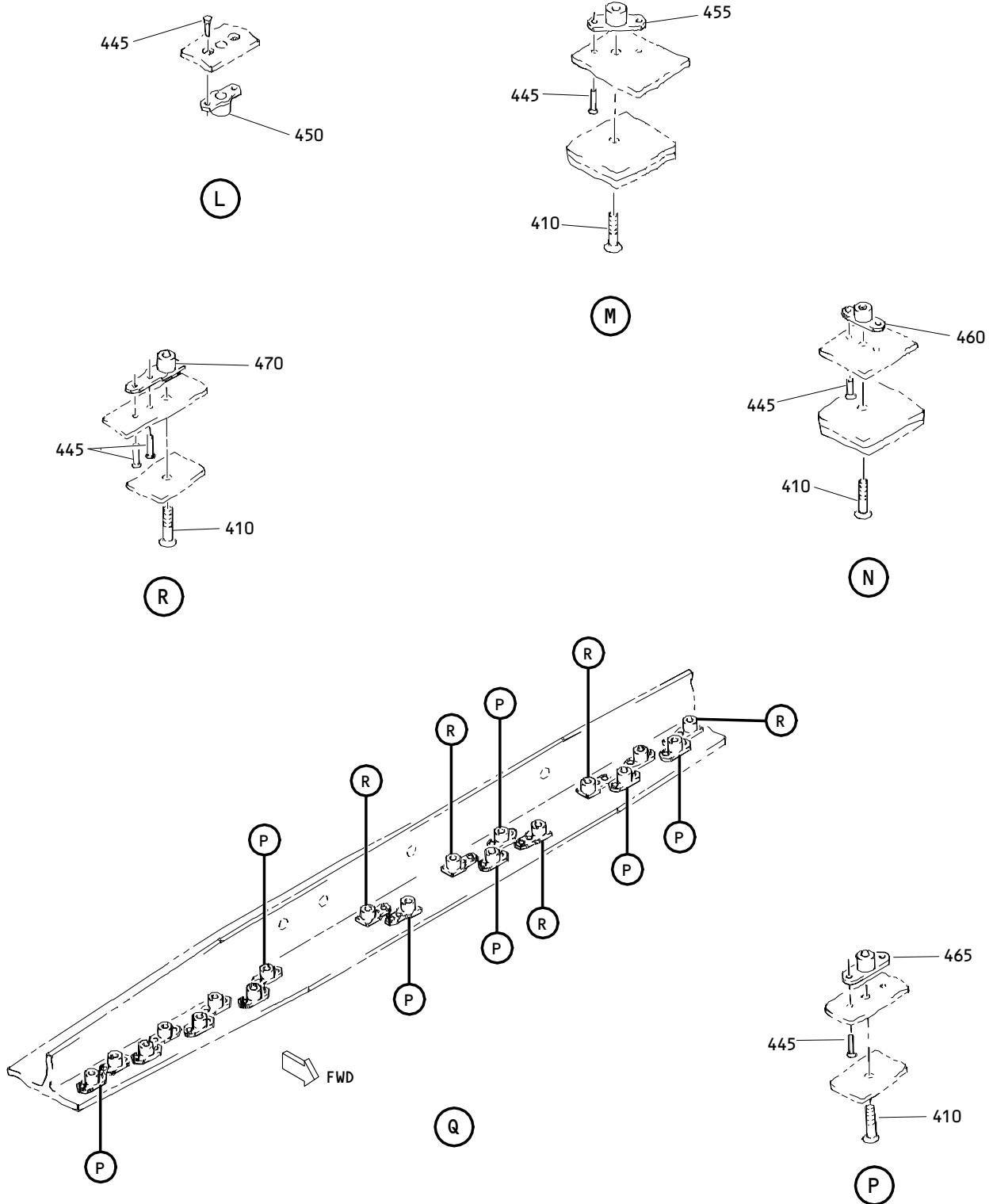
ILLUSTRATED PARTS LIST  
 01.101 Page 1044X  
 Mar 01/05



Inboard Trailing Edge Flap Rear Spar Installation  
Figure 4 (Sheet 6)

**57-53-27**

ILLUSTRATED PARTS LIST  
01.101 Page 1044Y  
Mar 01/05



Inboard Trailing Edge Flap Rear Spar Installation  
 Figure 4 (Sheet 7)

**57-53-27**

ILLUSTRATED PARTS LIST  
 01.101 Page 1044Z  
 Mar 01/05


**BOEING**  
 COMPONENT  
 MAINTENANCE MANUAL

FIG. & ITEM	PART NO.	AIRLINE PART NUMBER	NOMENCLATURE 1234567	EFF CODE	QTY PER ASSY
04- -1	113T2224-5001		SPAR INSTL-INBD TE FLAP REAR (LH)	A,B	RF
-1A	113T2224-5003		SPAR INSTL-INBD TE FLAP REAR (LH)	A,B	RF
-1B	113T2224-21		SPAR INSTL-INBD TE FLAP REAR (LH)	E,F,Q	RF
-1C	113T2224-23		DELETED		
-1D	113T2224-25		SPAR INSTL-INBD TE FLAP REAR (LH)	J,N,S U,W Y,AA AC,AN	RF
-1E	113T2224-21		SPAR INSTL-INBD TE FLAP REAR (LH) (LIMITED)	L	RF
-1F	113T2224-25		SPAR INSTL-INBD TE FLAP REAR (LH) (LIMITED)	L	RF
-1G	113T2224-401		SPAR INSTL-INBD TE FLAP REAR (LH)	AE,AG AJ,A L,AQ	RF
-5	113T2224-5002		SPAR INSTL-INBD TE FLAP REAR (RH)	C,D	RF
-5A	113T2224-5004		SPAR INSTL-INBD TE FLAP REAR (RH)	C,D	RF
-5B	113T2224-22		SPAR INSTL-INBD TE FLAP REAR (RH)	G,H,R	RF
-5C	113T2224-24		DELETED		
-5D	113T2224-26		SPAR INSTL-INBD TE FLAP REAR (RH)	K,P,T V,X Z,AB AD,AP	RF
-5E	113T2224-22		SPAR INSTL-INBD TE FLAP REAR (RH) (LIMITED)	M	RF
-5F	113T2224-26		SPAR INSTL-INBD TE FLAP REAR (RH) (LIMITED)	M	RF
-5G	113T2224-402		SPAR INSTL-INBD TE FLAP REAR (RH)	AF,AH AK,A M,AR	RF

57-53-27

 ILLUSTRATED PARTS LIST  
 01.101 Page 1045  
 Mar 01/05

FIG. & ITEM	PART NO.	AIRLINE PART NUMBER	NOMENCLATURE 1234567	EFF CODE	QTY PER ASSY
04-8	HL11VAZ6-6		.BOLT- (V60516) (SPEC BACB30NW6K6) (OPT B30NW6K6 (V97928)) (OPT HL11VAZ6-6 (V73197)) (OPT HL11VAZ6-6 (V92215)) (OPT HL11VAZ6-6 (V97928)) (OPT L803-6K6 (V06725)) (OPT HL11VAZ6-6 (V0PTK6)) (OPT HL11VAZ6-6 (V56878))		8
10	HL79-6		.COLLAR- (V5M902) (SPEC BACC30M6) (OPT HL79-6 (V73197)) (OPT HL79-6 (V92215)) (OPT 66014-6 (V56878)) (OPT HL79-6 (V56878))		8
15	HL10VAZ8-5		.BOLT- (V60516) (SPEC BACB30MY8K5) (OPT B30MY8K5 (V97928))		4
20	HL79-8		.COLLAR- (V5M902) (SPEC BACC30M8) (OPT HL79-8 (V73197)) (OPT HL79-8 (V92215)) (OPT 66014-8 (V56878)) (OPT HL79-8 (V56878))		4
25	BACB30NN4K9		.BOLT		6

# 57-53-27

 ILLUSTRATED PARTS LIST  
 01.101 Page 1046  
 Mar 01/05

**BOEING**  
 COMPONENT  
 MAINTENANCE MANUAL

FIG. & ITEM	PART NO.	AIRLINE PART NUMBER	NOMENCLATURE	EFF CODE	QTY PER ASSY
04-30	BACS40R10C40F		.SHIM		2
35	113T2277-1		.FITTING-BELCRK	A,B,E ,F,J, L,N,Q ,S,U, W,Y AA,AC ,AE,A G,AJ, AL,AN ,AQ	1
-40	113T2277-2		.FITTING-BELCRK	C,D,G ,H,K, M,P,R ,T,V, X,Z AB,AD ,AF,A H,AK, AM,AP ,AR	1
45	113T2277-3		.FITTING-BELCRK	A,B,E ,F,J, L,N,Q ,S,U, W,Y AA,AC ,AE,A G,AJ, AL,AN ,AQ	1
-50	113T2277-4		.FITTING-BELCRK	C,D,G ,H,K, M,P,R ,T,V, X,Z AB,AD ,AF,A H,AK, AM,AP ,AR	1

**57-53-27**

ILLUSTRATED PARTS LIST  
 01.101 Page 1046A  
 Mar 01/05

FIG. & ITEM	PART NO.	AIRLINE PART NUMBER	NOMENCLATURE 1234567	EFF CODE	QTY PER ASSY
04-55	HL10VAZ8-7		.BOLT- (V60516) (SPEC BACB30MY8K7) (OPT B30MY8K7 (V97928))		6
60	HL79-8		.COLLAR- (V5M902) (SPEC BACC30M8) (OPT HL79-8 (V73197)) (OPT HL79-8 (V92215)) (OPT 66014-8 (V56878)) (OPT HL79-8 (V56878))		6
65	HL10VAZ10-7		.BOLT- (V60516) (SPEC BACB30MY10K7) (OPT B30MY10K7 (V97928))		1
70	HL10VAZ10-8		.BOLT- (V60516) (SPEC BACB30MY10K8) (OPT B30MY10K8 (V97928))		1
75	HL79-10		.COLLAR- (V5M902) (SPEC BACC30M10) (OPT HL79-10 (V73197)) (OPT HL79-10 (V92215)) (OPT 66014-10 (V56878)) (OPT HL79-10 (V56878))		2

# 57-53-27

 ILLUSTRATED PARTS LIST  
 01.101 Page 1046B  
 Mar 01/05

**BOEING**  
 COMPONENT  
 MAINTENANCE MANUAL

FIG. & ITEM	PART NO.	AIRLINE PART NUMBER	NOMENCLATURE 1234567	EFF CODE	QTY PER ASSY
04-80	BACB30NN4K9		.BOLT		2
85	BACS40R23C16F		.SHIM		2
90	BACS40R12C16F		.SHIM		2
95	113T2258-3		.FITTING-BACKUP	A,B	2
-95A	113T2258-7		.FITTING-BACKUP	E,F,J ,L,N, Q,S,U ,W,Y, AA,AC AE,AG ,AJ,A L,AN, AQ	2
-100	113T2258-4		.FITTING-BACKUP	C,D	2
-100A	113T2258-8		.FITTING-BACKUP	G,H,K ,M,P, R,T,V ,X,Z, AB,AD AF,AH ,AK,A M,AP, AR	2
105	HL11VAZ8-6		.BOLT- (V60516) (SPEC BACB30NW8K6) (OPT B30NW8K6 (V97928)) (OPT HL11VAZ8-6 (V73197)) (OPT HL11VAZ8-6 (V92215)) (OPT HL11VAZ8-6 (V97928)) (OPT L803-8K6 (V06725)) (OPT HL11VAZ8-6 (V0PTK6)) (OPT HL11VAZ8-6 (V56878))		2

57-53-27

ILLUSTRATED PARTS LIST  
 01.101 Page 1046C  
 Mar 01/05



FIG. & ITEM	PART NO.	AIRLINE PART NUMBER	NOMENCLATURE 1234567	EFF CODE	QTY PER ASSY
04-110	HL10VAZ8-6		.BOLT- (V60516) (SPEC BACB30MY8K6) (OPT B30MY8K6 (V97928))		4
115	HL10VAZ8-4		.BOLT- (V60516) (SPEC BACB30MY8K4) (OPT B30MY8K4 (V97928))		8
120	HL79-8		.COLLAR- (V5M902) (SPEC BACC30M8) (OPT HL79-8 (V73197)) (OPT HL79-8 (V92215)) (OPT 66014-8 (V56878)) (OPT HL79-8 (V56878))		14
125	HL10VAZ10-7		.BOLT- (V60516) (SPEC BACB30MY10K7) (OPT B30MY10K7 (V97928))		4
130	HL79-10		.COLLAR- (V5M902) (SPEC BACC30M10) (OPT HL79-10 (V73197)) (OPT HL79-10 (V92215)) (OPT 66014-10 (V56878)) (OPT HL79-10 (V56878))		4

57-53-27

 ILLUSTRATED PARTS LIST  
 01.101 Page 1046D  
 Mar 01/05

**BOEING**  
 COMPONENT  
 MAINTENANCE MANUAL

FIG. & ITEM	PART NO.	AIRLINE PART NUMBER	NOMENCLATURE	EFF CODE	QTY PER ASSY
			1234567		
04-					
135	BACB30NN4K9		.BOLT		2
140	BACS40R18C16F		.SHIM		4
145	BACR15BA3AD		.RIVET-		4
			(SIZE DETERMINE ON INST)		
150	BACN10JQ44		.NUTPLATE	A-D	2
-150A	BACN10JQ4		.NUTPLATE	E-X	2
155	113T2257-1		.FITTING-BACKUP	A,B	4
-160	113T2257-2		.FITTING-BACKUP	C,D	4
165	113T2257-5		.FITTING-BACKUP	E,F,J	2
				,L,N,	
				Q,S,U	
				,W,Y,	
				AA,AC	
				AE,AG	
				,AJ,A	
				L,AN,	
				AQ	
-170	113T2257-6		.FITTING-BACKUP	G,H,K	2
				,M,P,	
				R,T,V	
				,X,Z,	
				AB,AD	
				AF,AH	
				,AK,A	
				M,AP,	
				AR	
175	113T2257-7		.FITTING-BACKUP	E,F,J	1
				,L,N,	
				Q,S,U	
				,W,Y,	
				AA,AC	
				AE,AG	
				,AJ,A	
				L,AN,	
				AQ	

**57-53-27**

ILLUSTRATED PARTS LIST  
 01.101 Page 1046E  
 Mar 01/05

FIG. & ITEM	PART NO.	AIRLINE PART NUMBER	NOMENCLATURE 1234567	EFF CODE	QTY PER ASSY
04- -180	113T2257-8		. FITTING-BACKUP	G, H, K , M, P, R, T, V , X, Z, AB, AD AF, AH , AK, A M, AP, AR	1
185	113T2257-9		. FITTING-BACKUP	E, F, J , L, N, Q, S, U , W, Y, AA, AC AE, AG , AJ, A L, AN, AQ	1
-190	113T2257-10		. FITTING-BACKUP	G, H, K , M, P, R, T, V , X, Z, AB, AD AF, AH , AK, A M, AP, AR	1
195	HL11VAZ6-6		. BOLT- (V60516) (SPEC BACB30NW6K6) (OPT B30NW6K6 (V97928)) (OPT HL11VAZ6-6 (V73197)) (OPT HL11VAZ6-6 (V92215)) (OPT HL11VAZ6-6 (V97928)) (OPT L803-6K6 (V06725)) (OPT HL11VAZ6-6 (V0PTK6)) (OPT HL11VAZ6-6 (V56878))		2

57-53-27

 ILLUSTRATED PARTS LIST  
 01.101 Page 1046F  
 Mar 01/05

**BOEING**  
 COMPONENT  
 MAINTENANCE MANUAL

FIG. & ITEM	PART NO.	AIRLINE PART NUMBER	NOMENCLATURE	EFF CODE	QTY PER ASSY
04-200	HL79-6		.COLLAR- (V5M902) (SPEC BACC30M6) (OPT HL79-6 (V73197)) (OPT HL79-6 (V92215)) (OPT 66014-6 (V56878)) (OPT HL79-6 (V56878))		2
205	113T2263-3		.FITTING	A,B,E ,F,J, L,N,Q ,S,U, W,Y AA,AC ,AE,A G,AJ, AL,AN ,AQ	1
-210	113T2263-4		.FITTING	C,D,G ,H,K, M,P,R ,T,V, X,Z AB,AD ,AF,A H,AK, AM,AP ,AR	1

**57-53-27**

ILLUSTRATED PARTS LIST  
 01.101 Page 1046G  
 Mar 01/05

FIG. & ITEM	PART NO.	AIRLINE PART NUMBER	NOMENCLATURE	EFF CODE	QTY PER ASSY
			1234567		
04-					
215	BACB30NR4K5		.BOLT		2
220	BACB30NR4K6		.BOLT		2
225	BACW10BP4CD		.WASHER		4
230	BACW10BP4DP		.WASHER		4
235	BRH10A4		.NUT-		4
			(V52828)		
			(SPEC BACN10JC4)		
			(OPT T6S428J		
			(V11815))		
			(OPT 96-048		
			(V80539))		
			(OPT VN303A048		
			(V92215))		
			(OPT RMLH9075-4W		
			(V72962))		
			(OPT NS202101-048		
			(V80539))		
			(OPT H10-4BAC		
			(V15653))		
240	113T2289-3		.SHIM		1
245	113T2289-1		.PLATE	A,B,E ,F,J, L,N,Q ,S,U, W,Y AA,AC ,AE,A G,AJ, AL,AN ,AQ	1

**57-53-27**

 ILLUSTRATED PARTS LIST  
 01.101 Page 1046H  
 Mar 01/05


**BOEING**  
 COMPONENT  
 MAINTENANCE MANUAL

FIG. & ITEM	PART NO.	AIRLINE PART NUMBER	NOMENCLATURE 1234567	EFF CODE	QTY PER ASSY
04- -250	113T2289-2		.PLATE	C, D, G , H, K, M, P, R , T, V, X, Z AB, AD , AF, A H, AK, AM, AP , AR	1
255	HL10VAZ6-5		.BOLT- (V60516) (SPEC BACB30MY6K5) (OPT B30MY6K5 (V97928))		2
260	L8006K6		.BOLT- (V06725) (SPEC BACB30MY6K6) (OPT HL10VAZ6-6 (VOPTK6))		2
265	HL11VAZ6-6		.BOLT- (V60516) (SPEC BACB30NW6K6) (OPT B30NW6K6 (V97928)) (OPT HL11VAZ6-6 (V73197)) (OPT HL11VAZ6-6 (V92215)) (OPT HL11VAZ6-6 (V97928)) (OPT L803-6K6 (V06725)) (OPT HL11VAZ6-6 (VOPTK6)) (OPT HL11VAZ6-6 (V56878))		1

57-53-27

 ILLUSTRATED PARTS LIST  
 01.101 Page 1046I  
 Mar 01/05

FIG. & ITEM	PART NO.	AIRLINE PART NUMBER	NOMENCLATURE 1234567	EFF CODE	QTY PER ASSY
04-270	HL79-6		.COLLAR- (V5M902) (SPEC BACC30M6) (OPT HL79-6 (V73197)) (OPT HL79-6 (V92215)) (OPT 66014-6 (V56878)) (OPT HL79-6 (V56878))		5
275	BACB30NN4K9		.BOLT		1
280	BACR15FT6KE		.RIVET- (SIZE DETERMINE ON INST)		3
285	BACS40R10C16F		.SHIM		1
290	113T2259-4		.FITTING-HOIST	A,B,E ,F,J, L,N,Q ,S,U, W,Y AA,AC ,AE,A G,AJ, AL,AN ,AQ C,D,G ,H,K, M,P,R ,T,V, X,Z AB,AD ,AF,A H,AK, AM,AP ,AR	1
-295	113T2259-3		.FITTING-HOIST		1
300	L8006K6		.BOLT- (V06725) (SPEC BACB30MY6K6) (OPT HL10VAZ6-6 (VOPTK6))		1

57-53-27

 ILLUSTRATED PARTS LIST  
 01.101 Page 1046J  
 Mar 01/05

**BOEING**  
 COMPONENT  
 MAINTENANCE MANUAL

FIG. & ITEM	PART NO.	AIRLINE PART NUMBER	NOMENCLATURE	EFF CODE	QTY PER ASSY
			1234567		
04-305	HL11VAZ6-6		.BOLT- (V60516) (SPEC BACB30NW6K6) (OPT B30NW6K6 (V97928)) (OPT HL11VAZ6-6 (V73197)) (OPT HL11VAZ6-6 (V92215)) (OPT HL11VAZ6-6 (V97928)) (OPT L803-6K6 (V06725)) (OPT HL11VAZ6-6 (V0PTK6)) (OPT HL11VAZ6-6 (V56878))		1
310	HL79-6		.COLLAR- (V5M902) (SPEC BACC30M6) (OPT HL79-6 (V73197)) (OPT HL79-6 (V92215)) (OPT 66014-6 (V56878)) (OPT HL79-6 (V56878))		2
315	113T2263-6		.FITTING	A,B,E ,F,J, L,N,Q ,S,U, W,Y AA,AC	1

57-53-27

ILLUSTRATED PARTS LIST  
 01.101 Page 1046K  
 Mar 01/05



FIG. & ITEM	PART NO.	AIRLINE PART NUMBER	NOMENCLATURE	EFF CODE	QTY PER ASSY
04-			1234567		
-320	113T2263-5		.FITTING	,AE,A G,AJ, AL,AN ,AQ C,D,G ,H,K, M,P,R ,T,V, X,Z AB,AD ,AF,A H,AK, AM,AP ,AR	1
325	HL10VAZ8-4		.BOLT- (V60516) (SPEC BACB30MY8K4) (OPT B30MY8K4 (V97928))		1
330	HL79-8		.COLLAR- (V5M902) (SPEC BACC30M8) (OPT HL79-8 (V73197)) (OPT HL79-8 (V92215)) (OPT 66014-8 (V56878)) (OPT HL79-8 (V56878))		1

**57-53-27**

 ILLUSTRATED PARTS LIST  
 01.101 Page 1046L  
 Mar 01/05


**BOEING**  
 COMPONENT  
 MAINTENANCE MANUAL

FIG. & ITEM	PART NO.	AIRLINE PART NUMBER	NOMENCLATURE 1234567	EFF CODE	QTY PER ASSY
04-335	HL10VAZ6-5		.BOLT- (V60516) (SPEC BACB30MY6K5) (OPT B30MY6K5 (V97928))		1
340	HL79-6		.COLLAR- (V5M902) (SPEC BACC30M6) (OPT HL79-6 (V73197)) (OPT HL79-6 (V92215)) (OPT 66014-6 (V56878)) (OPT HL79-6 (V56878))		1
345	BACB30NN4K9		.BOLT		1
350	BACR15FT6KE		.RIVET- (SIZE DETERMINE ON INST)		4
355	113T2259-2		.FITTING-HOIST		1
360	NAS1399MW6-4		.RIVET		10
365	HL11VAZ6-6		.BOLT- (V60516) (SPEC BACB30NW6K6) (OPT B30NW6K6 (V97928)) (OPT HL11VAZ6-6 (V73197)) (OPT HL11VAZ6-6 (V92215)) (OPT HL11VAZ6-6 (V97928)) (OPT L803-6K6 (V06725)) (OPT HL11VAZ6-6 (V0PTK6)) (OPT HL11VAZ6-6 (V56878))		5

57-53-27

 ILLUSTRATED PARTS LIST  
 01.101 Page 1046M  
 Mar 01/05

FIG. & ITEM	PART NO.	AIRLINE PART NUMBER	NOMENCLATURE 1234567	EFF CODE	QTY PER ASSY
04-370	HL11VAZ6-5		.BOLT- (V60516) (SPEC BACB30NW6K5) (OPT HL11V6-5 (V92215)) (OPT HL11V6-5 (V97928)) (OPT L803-6-5 (V06725)) (OPT B30NW6K5 (V97928)) (OPT HL11VAZ6-5 (V73197)) (OPT HL11VAZ6-5 (V92215)) (OPT HL11VAZ6-5 (V56878))		1
375	HL11VAZ6-7		.BOLT- (V60516) (SPEC BACB30NW6K7) (OPT HL11V6-7 (V92215)) (OPT HL11V6-7 (V97928)) (OPT L803-6-7 (V06725)) (OPT B30NW6K7 (V97928)) (OPT HL11VAZ6-7 (V73197)) (OPT HL11VAZ6-7 (V92215)) (OPT HL11VAZ6-7 (V56878))		3

**57-53-27**

 ILLUSTRATED PARTS LIST  
 01.101 Page 1046N  
 Mar 01/05


**BOEING**  
 COMPONENT  
 MAINTENANCE MANUAL

FIG. & ITEM	PART NO.	AIRLINE PART NUMBER	NOMENCLATURE 1234567	EFF CODE	QTY PER ASSY
04-380	HL11VAZ6-4		.BOLT- (V60516) (SPEC BACB30NW6K4) (OPT HL11V6-4 (V92215)) (OPT HL11V6-4 (V97928)) (OPT L803-6-4 (V06725)) (OPT B30NW6K4 (V97928)) (OPT HL11VAZ6-4 (V73197)) (OPT HL11VAZ6-4 (V92215)) (OPT HL11VAZ6-4 (V56878))		68
385	HL10VAZ6-3		.BOLT- (V60516) (SPEC BACB30MY6K3) (OPT B30MY6K3 (V97928))		55
390	HL10VAZ6-4		.BOLT- (V60516) (SPEC BACB30MY6K4) (OPT B30MY6K4 (V97928))		55
395	HL10VAZ6-5		.BOLT- (V60516) (SPEC BACB30MY6K5) (OPT B30MY6K5 (V97928))		11
400	L8006K6		.BOLT- (V06725) (SPEC BACB30MY6K6) (OPT HL10VAZ6-6 (VOPTK6))		8

57-53-27

 ILLUSTRATED PARTS LIST  
 01.101 Page 10460  
 Mar 01/05

FIG. & ITEM	PART NO.	AIRLINE PART NUMBER	NOMENCLATURE 1234567	EFF CODE	QTY PER ASSY
04-405	HL79-6		.COLLAR- (V5M902) (SPEC BACC30M6) (OPT HL79-6 (V73197)) (OPT HL79-6 (V92215)) (OPT 66014-6 (V56878)) (OPT HL79-6 (V56878))		206
410	BACB30NN3K6		.BOLT		141
415	BACS40R08D27F		.SHIM		1
420	BACR15CE6AD		.RIVET- (SIZE DETERMINE ON INST)		154
425	BACR15BA6AD		.RIVET- (SIZE DETERMINE ON INST)		112
430	BACR15FT6KE		.RIVET- (SIZE DETERMINE ON INST)		235
435	BACR15FT6AD		.RIVET- (SIZE DETERMINE ON INST)		32
440	BACR15CE6KE		.RIVET- (SIZE DETERMINE ON INST)		134
445	BACR15BA3AD		.RIVET- (SIZE DETERMINE ON INST)		302
450	BACN10JQ44		.NUTPLATE		8
455	NS103191-02-2		.NUTPLATE- (V80539) (SPEC BACN10KE3B2) (OPT F51750-3-2 (V15653)) (OPT RMF9213-2-3 (V72962)) (OPT BRFR220A3-2 (V52825))		1

57-53-27

 ILLUSTRATED PARTS LIST  
 01.101 Page 1046P  
 Mar 01/05


**BOEING**  
 COMPONENT  
 MAINTENANCE MANUAL

FIG. & ITEM	PART NO.	AIRLINE PART NUMBER	NOMENCLATURE 1234567	EFF CODE	QTY PER ASSY
04-460	BACN10JQ32		.NUTPLATE		1
465	NS103191-02-3		.NUTPLATE- (V80539) (SPEC BACN10KE3B3) (OPT F51750-3-3 (V15653)) (OPT RMF9213-3-3 (V72962)) (OPT BRFR220A3-3 (V52828))		133
470	NS103194-02-3		.NUTPLATE- (V80539) (SPEC BACN10KE3E3) (OPT F51752-3-3 (V15653)) (OPT RMF9216-3-3 (V72962)) (OPT BRFR120A3-3 (V52828))		6
475	113T2224-6		.DOUBLER		1
480	113T2224-5		.DOUBLER		1
485	113T2225-1		.CHORD-UPR (USED ON ITEM 1)	A,B	1
-485A	113T2225-5		.CHORD-UPR (USED ON ITEM 1A)	A,B,E ,F,J, L,N,Q ,S,U, W,Y AA,AC ,AE,A G,AJ, AL,AN ,AQ	1

57-53-27

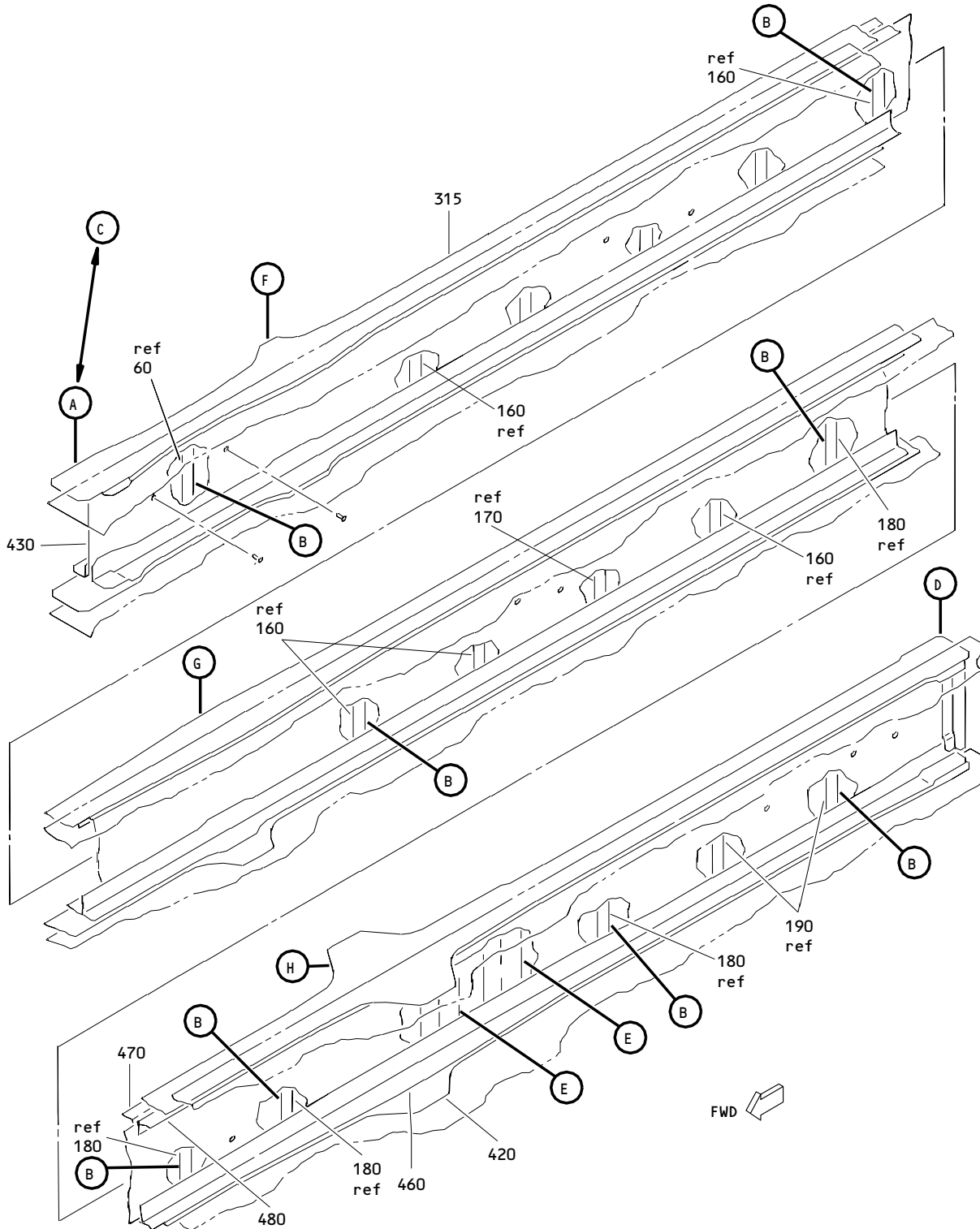
 ILLUSTRATED PARTS LIST  
 01.101 Page 1046Q  
 Mar 01/05

FIG. & ITEM	PART NO.	AIRLINE PART NUMBER	NOMENCLATURE 1234567	EFF CODE	QTY PER ASSY
04- -490	113T2225-2		. CHORD-UPR (USED ON ITEM 5)	C,D	1
-490A	113T2225-6		. CHORD-UPR (USED ON ITEM 5A)	C,D,G ,H,K, M,P,R ,T,V, X,Z AB,AD ,AF,A H,AK, AM,AP ,AR A,B	1
495 -495A	113T2225-3 113T2225-7		. CHORD-UPR . CHORD-UPR	E,F,J ,L,N, Q,S,U ,W,Y, AA,AC AN	1 1
-495B	113T2225-401		. CHORD-UPR	AE,AG ,AJ,A L,AQ	1
-500 -500A	113T2225-4 113T2225-8		. CHORD-UPR . CHORD-UPR	C,D G,H,K ,M,P, R,T,V ,X,Z, AB,AD AP	1 1
-500B	113T2225-402		. CHORD-UPR	AF,AH ,AK,A M,AR	1

- Item Not Illustrated

# 57-53-27

ILLUSTRATED PARTS LIST  
 01.101 Page 1046R  
 Mar 01/05

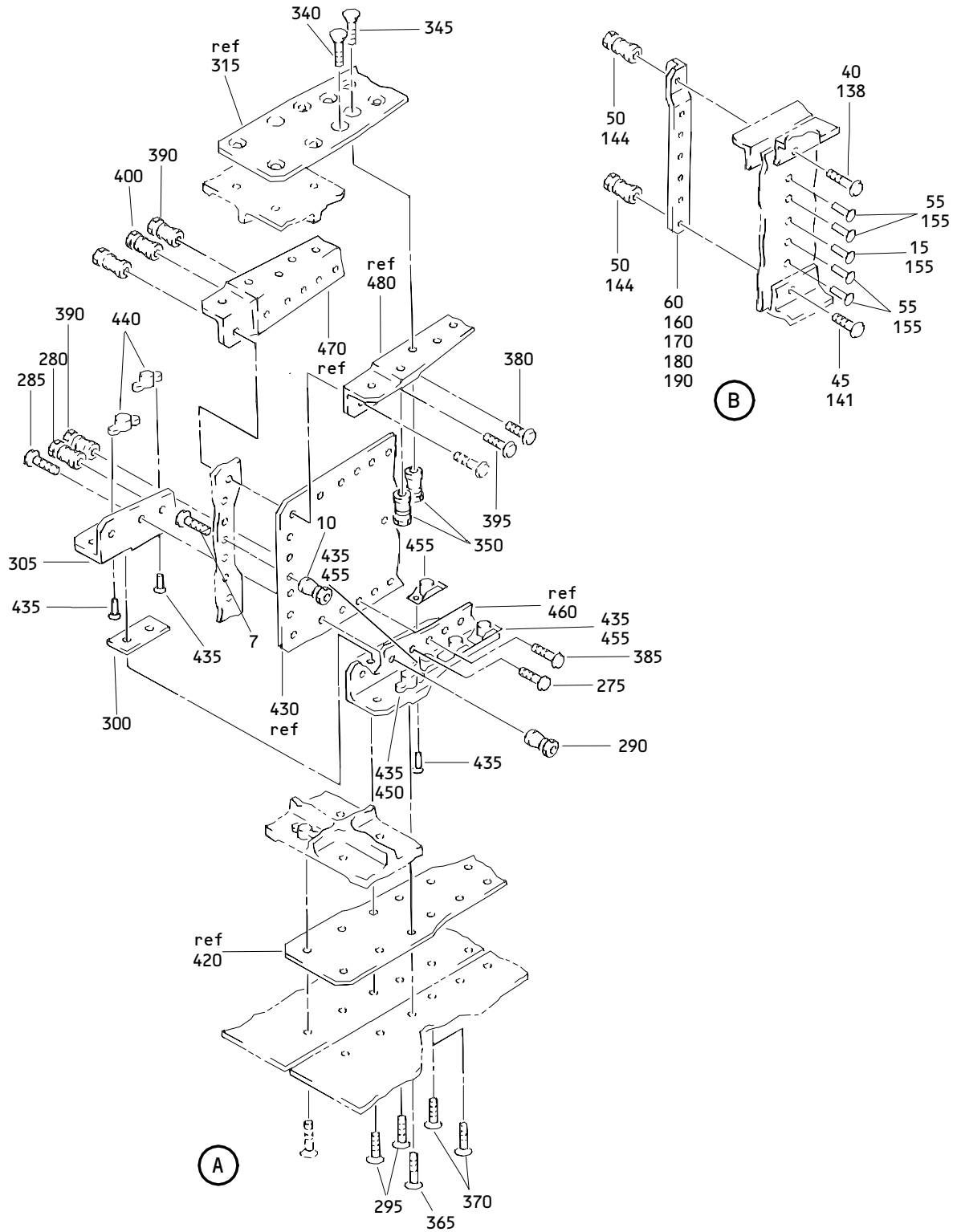


Inboard Trailing Edge Flap Middle Spar Installation  
 Figure 5 (Sheet 1)

**57-53-27**

ILLUSTRATED PARTS LIST  
 01.101 Page 1046T  
 Mar 01/05

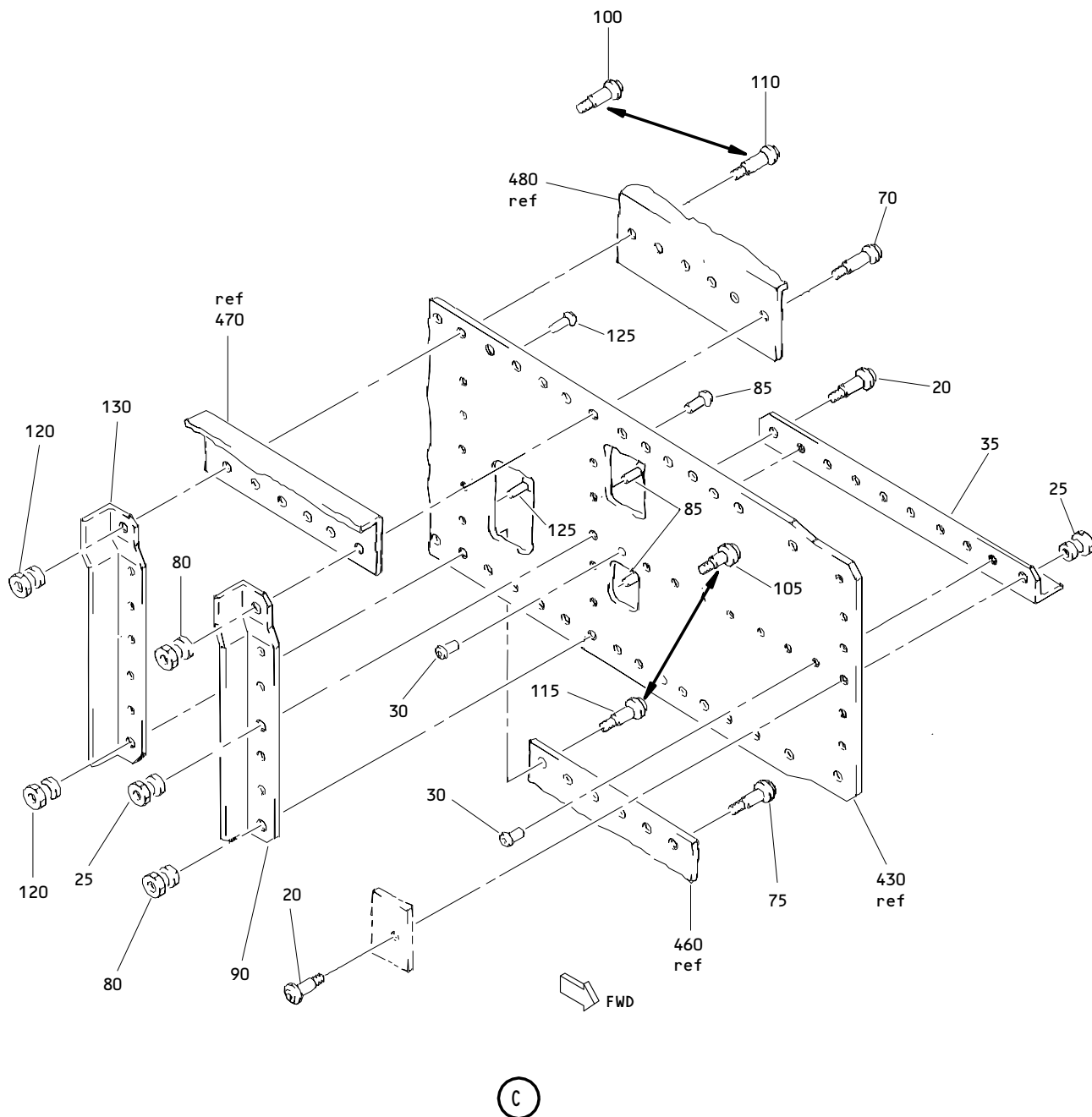




Inboard Trailing Edge Flap Middle Spar Installation  
 Figure 5 (Sheet 2)

**57-53-27**

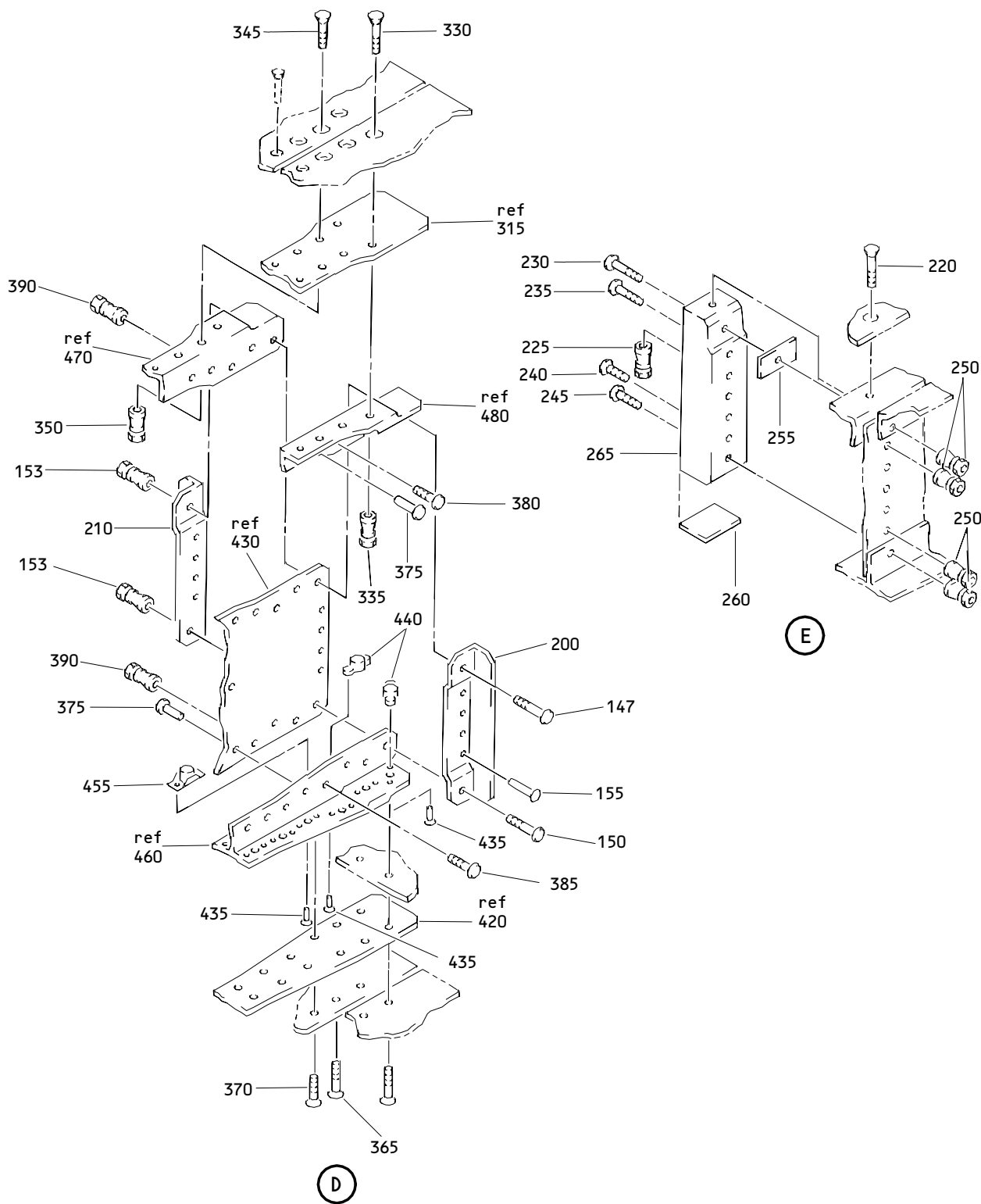
ILLUSTRATED PARTS LIST  
 01.101 Page 1046U  
 Mar 01/05



Inboard Trailing Edge Flap Middle Spar Installation  
 Figure 5 (Sheet 3)

**57-53-27**

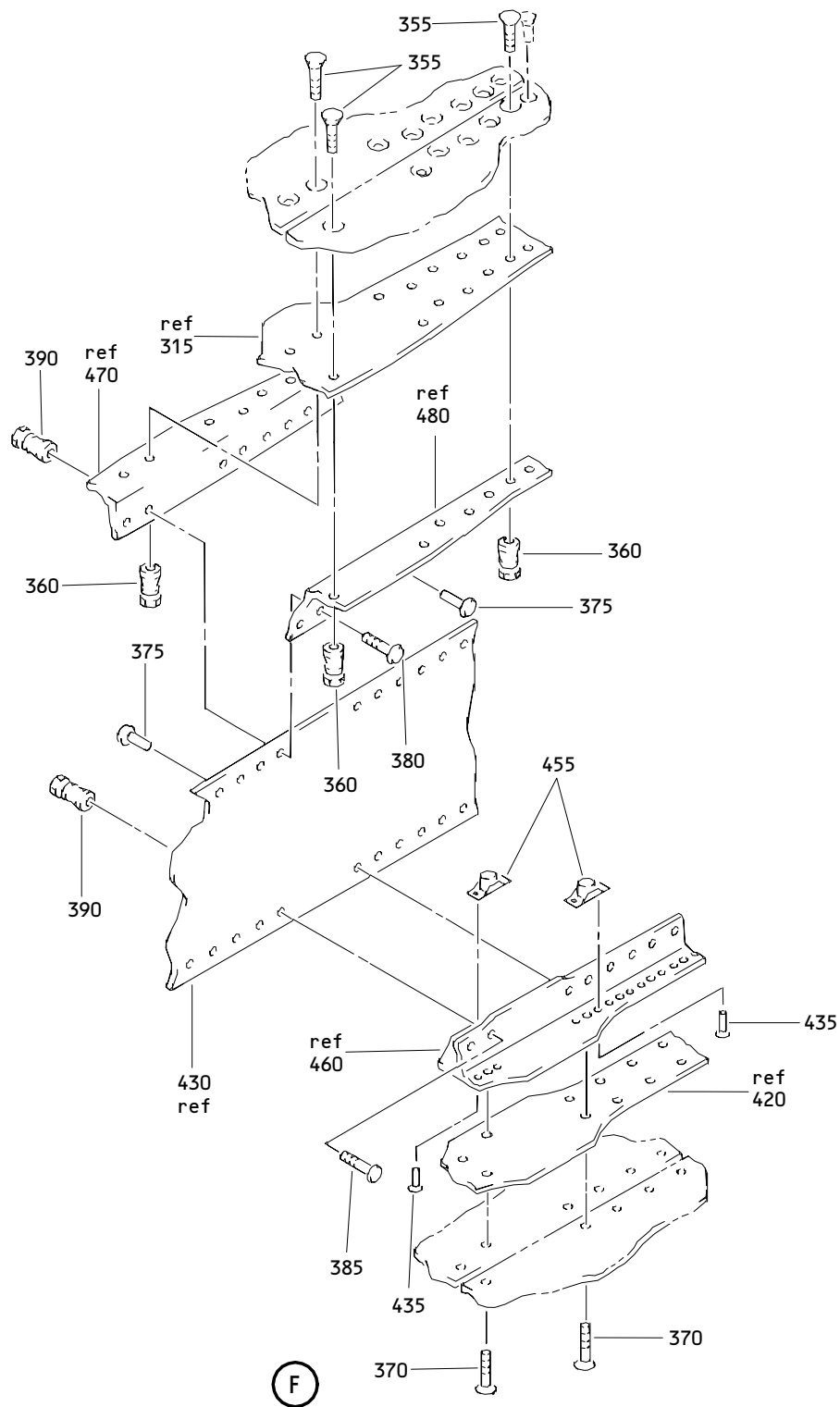
ILLUSTRATED PARTS LIST  
 01.101 Page 1046V  
 Mar 01/05



Inboard Trailing Edge Flap Middle Spar Installation  
Figure 5 (Sheet 4)

**57-53-27**

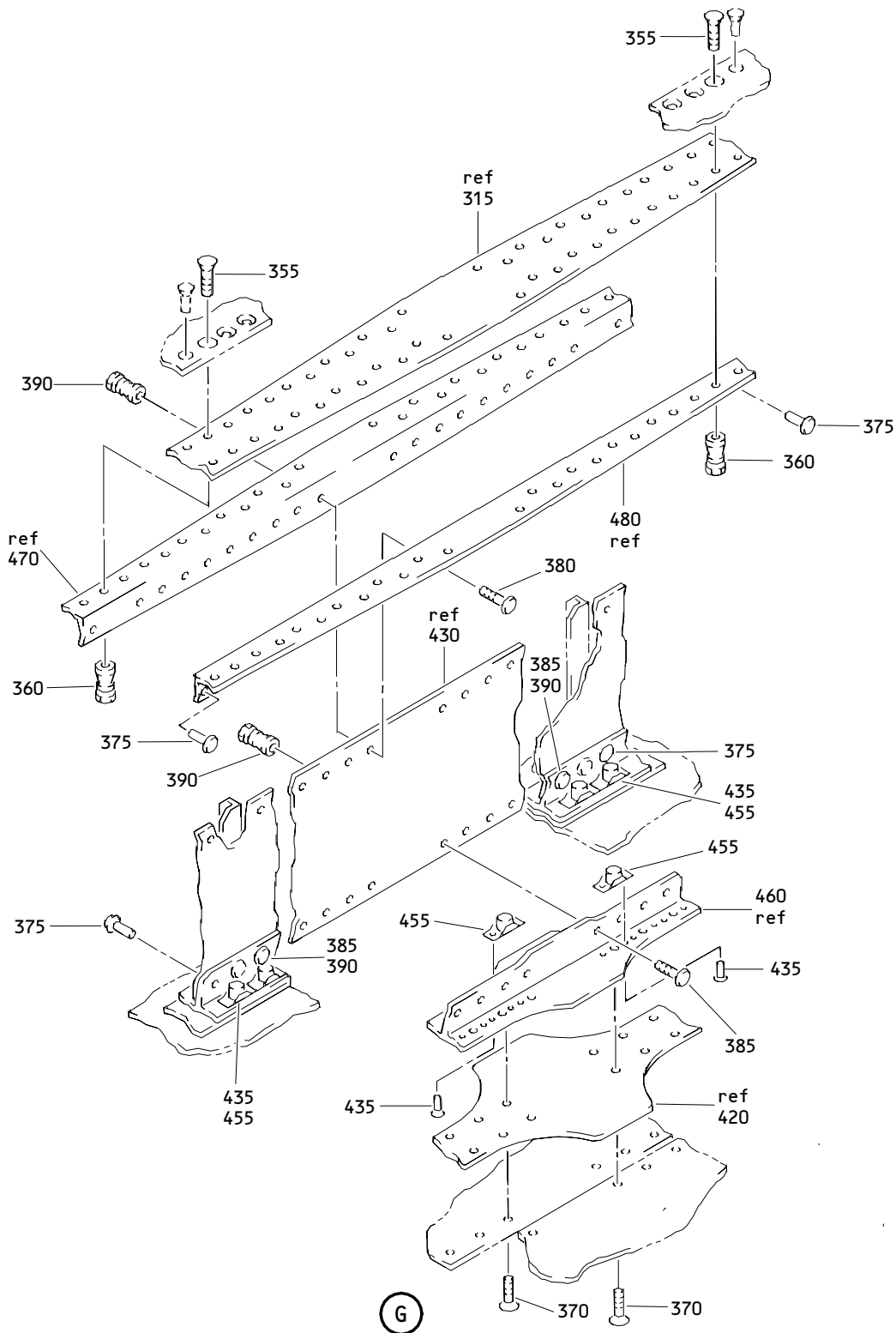
ILLUSTRATED PARTS LIST  
01.101 Page 1046W  
Mar 01/05



Inboard Trailing Edge Flap Middle Spar Installation  
 Figure 5 (Sheet 5)

**57-53-27**

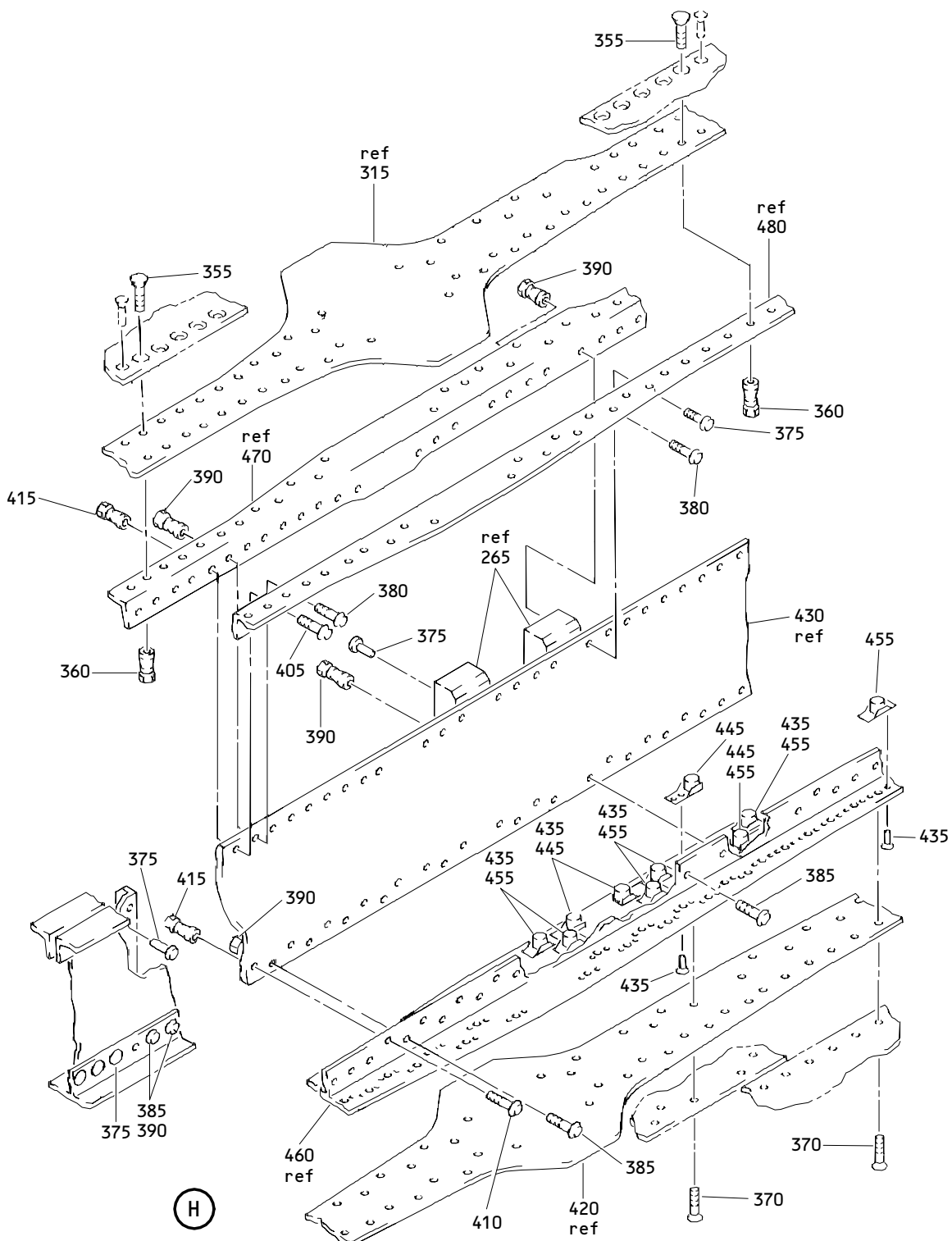
ILLUSTRATED PARTS LIST  
 01.101 Page 1046X  
 Mar 01/05



Inboard Trailing Edge Flap Middle Spar Installation  
Figure 5 (Sheet 6)

**57-53-27**

ILLUSTRATED PARTS LIST  
01.101 Page 1046Y  
Mar 01/05



**Inboard Trailing Edge Flap Middle Spar Installation  
Figure 5 (Sheet 7)**

U16597

**57-53-27**

ILLUSTRATED PARTS LIST  
01.101 Page 10462  
Mar 01/05


**BOEING**  
 COMPONENT  
 MAINTENANCE MANUAL

FIG. & ITEM	PART NO.	AIRLINE PART NUMBER	NOMENCLATURE 1234567	EFF CODE	QTY PER ASSY
05- -1	113T2222-5001		SPAR INSTL-INBD TE FLAP MID (LH)	A,B	RF
-1A	113T2222-5003		SPAR INSTL-INBD TE FLAP MID (LH)	A,B	RF
-1B	113T2222-5005		SPAR INSTL-INBD TE FLAP MID (LH)	A,B	RF
-1C	113T2222-25		SPAR INSTL-INBD TE FLAP MID (LH)	E,F,J ,L,N, Q,S,U ,W,Y, AA,AC AE,AG ,AJ,A L,AN, AQ	RF
-1D	113T2222-29		DELETED		
-5	113T2222-5002		SPAR INSTL-INBD TE FLAP MID (RH)	C,D	RF
-5A	113T2222-5004		SPAR INSTL-INBD TE FLAP MID (RH)	C,D	RF
-5B	113T2222-5006		SPAR INSTL-INBD TE FLAP MID (RH)	C,D	RF
-5C	113T2222-26		SPAR INSTL-INBD TE FLAP MID (RH)	G,H,K ,M,P, R,T,V ,X,Z, AB,AD AF,AH ,AK,A M,AP, AR	RF
-5D 7	113T2222-30 HL10VAZ6-3		DELETED .BOLT- (V60516) (SPEC BACB30MY6K3) (OPT B30MY6K3 (V97928))	A-D	1

57-53-27

 ILLUSTRATED PARTS LIST  
 01.101 Page 1047  
 Mar 01/05

FIG. & ITEM	PART NO.	AIRLINE PART NUMBER	NOMENCLATURE 1234567	EFF CODE	QTY PER ASSY
05-10	HL79-6		.COLLAR- (V5M902) (SPEC BACC30M6) (OPT HL79-6 (V73197)) (OPT HL79-6 (V92215)) (OPT 66014-6 (V56878)) (OPT HL79-6 (V56878))	A-D	1
15	BACR15FT6KE		.RIVET- (SIZE DETERMINE ON INST)	A-D	1
20	HL10VAZ6-4		.BOLT- (V60516) (SPEC BACB30MY6K4) (OPT B30MY6K4 (V97928))	E-AR	2
25	HL79-6		.COLLAR- (V5M902) (SPEC BACC30M6) (OPT HL79-6 (V73197)) (OPT HL79-6 (V92215)) (OPT 66014-6 (V56878)) (OPT HL79-6 (V56878))	E-AR	2

**57-53-27**

 ILLUSTRATED PARTS LIST  
 01.101 Page 1048  
 Mar 01/05




**BOEING**  
 COMPONENT  
 MAINTENANCE MANUAL

FIG. & ITEM	PART NO.	AIRLINE PART NUMBER	NOMENCLATURE 1234567	EFF CODE	QTY PER ASSY
05-30	BACR15FT6KE3C		.RIVET	E-AR	8
35	113T2222-27		.STIFFENER	E-AR	1
40	HL10VAZ6-5		.BOLT- (V60516) (SPEC BACB30MY6K5) (OPT B30MY6K5 (V97928))	A-D	1
45	HL10VAZ6-4		.BOLT- (V60516) (SPEC BACB30MY6K4) (OPT B30MY6K4 (V97928))	A-D	1
50	HL79-6		.COLLAR- (V5M902) (SPEC BACC30M6) (OPT HL79-6 (V73197)) (OPT HL79-6 (V92215)) (OPT 66014-6 (V56878)) (OPT HL79-6 (V56878))	A-D	2
55	BACR15FT6KE		.RIVET- (SIZE DETERMINE ON INST)	A-D	4
60	113T2222-9		.STIFFENER	A,B	1
-65	113T2222-10		.STIFFENER	C,D	1
70	HL10VAZ6-5		.BOLT- (V60516) (SPEC BACB30MY6K5) (OPT B30MY6K5 (V97928))	E-AR	1

57-53-27

 ILLUSTRATED PARTS LIST  
 01.101 Page 1048A  
 Mar 01/05

FIG. & ITEM	PART NO.	AIRLINE PART NUMBER	NOMENCLATURE 1234567	EFF CODE	QTY PER ASSY
05-75	HL10VAZ6-4		.BOLT- (V60516) (SPEC BACB30MY6K4) (OPT B30MY6K4 (V97928))	E-AR	1
80	HL79-6		.COLLAR- (V5M902) (SPEC BACC30M6) (OPT HL79-6 (V73197)) (OPT HL79-6 (V92215)) (OPT 66014-6 (V56878)) (OPT HL79-6 (V56878))	E-AR	2
85	BACR15FT6KE		.RIVET- (SIZE DETERMINE ON INST)	E-AR	4
90	113T2222-9		.STIFFENER	E, F, J L, N, Q, S, U W, Y, AA, AC AE, AG AJ, A L, AN, AQ	1
-95	113T2222-10		.STIFFENER	G, H, K M, P, R, T, V X, Z, AB, AD AF, AH AK, A M, AP, AR A-D	1
100	HL10VAZ6-4		.BOLT- (V60516) (SPEC BACB30MY6K4) (OPT B30MY6K4 (V97928))	A-D	1

**57-53-27**

 ILLUSTRATED PARTS LIST  
 01.101 Page 1048B  
 Mar 01/05


**BOEING**  
 COMPONENT  
 MAINTENANCE MANUAL

FIG. & ITEM	PART NO.	AIRLINE PART NUMBER	NOMENCLATURE 1234567	EFF CODE	QTY PER ASSY
05-105	HL10VAZ6-3		.BOLT- (V60516) (SPEC BACB30MY6K3) (OPT B30MY6K3 (V97928))	A-D	1
110	HL10VAZ6-5		.BOLT- (V60516) (SPEC BACB30MY6K5) (OPT B30MY6K5 (V97928))	E-AR	1
115	HL10VAZ6-4		.BOLT- (V60516) (SPEC BACB30MY6K4) (OPT B30MY6K4 (V97928))	E-AR	1
120	HL79-6		.COLLAR- (V5M902) (SPEC BACC30M6) (OPT HL79-6 (V73197)) (OPT HL79-6 (V92215)) (OPT 66014-6 (V56878)) (OPT HL79-6 (V56878))		2
125	BACR15FT6KE		.RIVET- (SIZE DETERMINE ON INST)	E-AB	5
130	113T2222-9		.STIFFENER	E, F, J , L, N, R, S, U , W, Y, AA, AC AE, AG , AJ, A	1

57-53-27

 ILLUSTRATED PARTS LIST  
 01.101 Page 1048C  
 Mar 01/05

FIG. & ITEM	PART NO.	AIRLINE PART NUMBER	NOMENCLATURE 1234567	EFF CODE	QTY PER ASSY
05-					
-135	113T2222-10		.STIFFENER	L,AN, AQ G,H,K M,P R,T,V X,Z AB,AD AF,AH AK,A M,AP, AR	1
138	HL10VAZ6-5		.BOLT- (V60516) (SPEC BACB30MY6K5) (OPT B30MY6K5 (V97928))		15
141	HL10VAZ6-4		.BOLT- (V60516) (SPEC BACB30MY6K4) (OPT B30MY6K4 (V97928))		15
144	HL79-6		.COLLAR- (V5M902) (SPEC BACC30M6) (OPT HL79-6 (V73197)) (OPT HL79-6 (V92215)) (OPT 66014-6 (V56878)) (OPT HL79-6 (V56878))		30

**57-53-27**

 ILLUSTRATED PARTS LIST  
 01.101 Page 1048D  
 Mar 01/05


**BOEING**  
 COMPONENT  
 MAINTENANCE MANUAL

FIG. & ITEM	PART NO.	AIRLINE PART NUMBER	NOMENCLATURE 1234567	EFF CODE	QTY PER ASSY
05-147	HL10VAZ8-6		.BOLT- (V60516) (SPEC BACB30MY8K6) (OPT B30MY8K6 (V97928))		1
150	HL10VAZ8-5		.BOLT- (V60516) (SPEC BACB30MY8K5) (OPT B30MY8K5 (V97928))		1
153	HL79-8		.COLLAR- (V5M902) (SPEC BACC30M8) (OPT HL79-8 (V73197)) (OPT HL79-8 (V92215)) (OPT 66014-8 (V56878)) (OPT HL79-8 (V56878))		2
155	BACR15FT6KE		.RIVET- (SIZE DETERMINE ON INST)		79
160	113T2222-9		.STIFFENER	A,B,E ,F,J, L,N,Q ,S,U, W,Y AA,AC ,AE,A G,AJ, AL,AN ,AQ	9

57-53-27

 ILLUSTRATED PARTS LIST  
 01.101 Page 1048E  
 Mar 01/05

FIG. & ITEM	PART NO.	AIRLINE PART NUMBER	NOMENCLATURE	EFF CODE	QTY PER ASSY
05- -165	113T2222-10		.STIFFENER	C,D,G ,H,J, M,P,R ,T,V, X,Z AB,AD ,AF,A H,AK, AM,AP ,AR	9
170 -175 180	113T2222-31 113T2222-32 113T2222-11		DELETED DELETED .STIFFENER	A,B,E ,F,J, L,N,Q ,S,U, W,Y AA,AC ,AE,A G,AJ, AL,AN ,AQ	4
-185	113T2222-12		.STIFFENER	C,D,G ,H,K, M,P,R ,T,V, X,Z AB,AD ,AF,A H,AK, AM,AP ,AQ	4
190	113T2222-13		.STIFFENER	A,B,E ,F,J, L,N,Q ,S,U, W,Y AA,AC ,AE,A G,AJ, AL,AN ,AQ	2

**57-53-27**

 ILLUSTRATED PARTS LIST  
 01.101 Page 1048F  
 Mar 01/05

**BOEING**  
 COMPONENT  
 MAINTENANCE MANUAL

FIG. & ITEM	PART NO.	AIRLINE PART NUMBER	NOMENCLATURE 1234567	EFF CODE	QTY PER ASSY
05- -195	113T2222-14		.STIFFENER	C,D,G ,H,K, M,P,R ,T,V, X,Z AB,AD ,AF,A H,AK, AM,AP ,AR	2
200	113T2222-17		.STIFFENER	A,B,E ,F,J, L,N,Q ,S,U, W,Y AA,AC ,AE,A G,AJ, AL,AN ,AQ	1
-205	113T2222-18		.STIFFENER	C,D,G ,H,K, M,P,R ,T,V, X,Z AB,AD ,AF,A H,AK, AM,AP ,AR	1
210	113T2222-15		.STIFFENER	A,B,E ,F,J, L,N,Q ,S,U, W,Y AA,AC ,AE,A G,AJ, AL,AN ,AQ	1

**57-53-27**

ILLUSTRATED PARTS LIST  
 01.101 Page 1048G  
 Mar 01/05

FIG. & ITEM	PART NO.	AIRLINE PART NUMBER	NOMENCLATURE 1234567	EFF CODE	QTY PER ASSY
05- -215	113T2222-16		.STIFFENER	C, D, G , H, K, M, P, R , T, V, X, Z AB, AD , AF, A H, AK, AM, AP , AR	1
220	HL11VAZ8-8		.BOLT- (V56878) (SPEC BACB30NW8K8) (OPT B30NW8K8 (V97928)) (OPT HL11VAZ8-8 (V73197)) (OPT HL11VAZ8-8 (V92215)) (OPT HL11VAZ8-8 (V97928)) (OPT L803-8K8 (V06725)) (OPT HL11VAZ8-8 (V0PTK6)) (OPT HL11VAZ8-8 (V60516))		2
225	HL79-8		.COLLAR- (V5M902) (SPEC BACC30M8) (OPT HL79-8 (V73197)) (OPT HL79-8 (V92215)) (OPT 66014-8 (V56878)) (OPT HL79-8 (V56878))		2

# 57-53-27

 ILLUSTRATED PARTS LIST  
 01.101 Page 1048H  
 Mar 01/05




**BOEING**  
 COMPONENT  
 MAINTENANCE MANUAL

FIG. & ITEM	PART NO.	AIRLINE PART NUMBER	NOMENCLATURE 1234567	EFF CODE	QTY PER ASSY
05-230	L8006K6		.BOLT- (V06725) (SPEC BACB30MY6K6) (OPT HL10VAZ6-6 (VOPTK6))		2
235	HL10VAZ6-5		.BOLT- (V60516) (SPEC BACB30MY6K5) (OPT B30MY6K5 (V97928))		2
240	HL10VAZ6-3		.BOLT- (V60516) (SPEC BACB30MY6K3) (OPT B30MY6K3 (V97928))		8
245	HL10VAZ6-4		.BOLT- (V60516) (SPEC BACB30MY6K4) (OPT B30MY6K4 (V97928))		2
250	HL79-6		.COLLAR- (V5M902) (SPEC BACC30M6) (OPT HL79-6 (V73197)) (OPT HL79-6 (V92215)) (OPT 66014-6 (V56878)) (OPT HL79-6 (V56878))		14

57-53-27

 ILLUSTRATED PARTS LIST  
 01.101 Page 1048I  
 Mar 01/05

FIG. & ITEM	PART NO.	AIRLINE PART NUMBER	NOMENCLATURE	EFF CODE	QTY PER ASSY
			1234567		
05- 255	BACS4OR07C16F		.SHIM		2
260	BACS4OR13D16F		.SHIM		2
265	113T2258-1		.FITTING	A,B,E ,F,J, L,N,Q ,S,U, W,Y AA,AC ,AE,A G,AJ, AL,AN ,AQ C,D,G ,H,K, M,P,R ,T,V, X,Z AB,AD ,AF,A H,AK, AM,AP ,AR	2
-270	113T2258-2		.FITTING		2
275	HL10VAZ6-4		.BOLT- (V60516) (SPEC BACB30MY6K4) (OPT B30MY6K4 (V97928))		1
280	HL79-6		.COLLAR- (V5M902) (SPEC BACC30M6) (OPT HL79-6 (V73197)) (OPT HL79-6 (V92215)) (OPT 66014-6 (V56878)) (OPT HL79-6 (V56878))		1

57-53-27

 ILLUSTRATED PARTS LIST  
 01.101 Page 1048J  
 Mar 01/05

**BOEING**  
 COMPONENT  
 MAINTENANCE MANUAL

FIG. & ITEM	PART NO.	AIRLINE PART NUMBER	NOMENCLATURE 1234567	EFF CODE	QTY PER ASSY
05-285	HL10VAZ8-7		.BOLT- (V60516) (SPEC BACB30MY8K7) (OPT B30MY8K7 (V97928))		1
290	HL79-8		.COLLAR- (V5M902) (SPEC BACC30M8) (OPT HL79-8 (V73197)) (OPT HL79-8 (V92215)) (OPT 66014-8 (V56878)) (OPT HL79-8 (V56878))		1
295	BACB30NN4K9		.BOLT		2
300	BACF3T02C10F22		.FILLER- (USED ON ITEMS 1, 1A, 5, 5A)	A-D	1
-300A	BACF3T07F10F22		.FILLER- (USED ON ITEMS 1B, 5B)		1
305	113T2226-1		.FITTING	A,B,E ,F,J, L,N,Q ,S,U, W,Y AA,AC ,AE,A G,AJ, AL,AN ,AQ	1
-310	113T2226-2		.FITTING	C,D,G ,H,K, M,P,R ,T,V, X,Z AB,AD ,AF,A H,AK, AM,AP ,AQ	1

**57-53-27**

ILLUSTRATED PARTS LIST  
 01.101 Page 1048K  
 Mar 01/05

FIG. & ITEM	PART NO.	AIRLINE PART NUMBER	NOMENCLATURE 1234567	EFF CODE	QTY PER ASSY
05-315	113T2222-5		.STRAP-UPR (USED ON ITEMS 1A, 1B, 1C)	A,B,E ,F,J, L,N,Q ,S,U, W,Y AA,AC ,AE,A G,AJ, AL,AN ,AQ A,B	1
-315A	113T2222-23		.STRAP-UPR (USED ON ITEM 1)	A,B	1
-320	113T2222-6		.STRAP-UPR (USED ON ITEMS 5A, 5B, 5C)	C,D,G ,H,K, M,P,R ,T,V, X,Z AB,AD ,AF,A H,AK, AM,AP ,AR C,D	1
-320A	113T2222-24		.STRAP-UPR (USED ON ITEM 5)	C,D	1
330	HL11VAZ8-8		.BOLT- (V56878) (SPEC BACB30NW8K8) (OPT B30NW8K8 (V97928)) (OPT HL11VAZ8-8 (V73197)) (OPT HL11VAZ8-8 (V92215)) (OPT HL11VAZ8-8 (V97928)) (OPT L803-8K8 (V06725)) (OPT HL11VAZ8-8 (V0PTK6)) (OPT HL11VAZ8-8 (V60516))		2

57-53-27

 ILLUSTRATED PARTS LIST  
 01.101 Page 1048L  
 Mar 01/05


**BOEING**  
 COMPONENT  
 MAINTENANCE MANUAL

FIG. & ITEM	PART NO.	AIRLINE PART NUMBER	NOMENCLATURE 1234567	EFF CODE	QTY PER ASSY
05-335	HL79-8		.COLLAR- (V5M902) (SPEC BACC30M8) (OPT HL79-8 (V73197)) (OPT HL79-8 (V92215)) (OPT 66014-8 (V56878)) (OPT HL79-8 (V56878))		2
340	HL11VAZ6-8		.BOLT- (V60516) (SPEC BACB30NW6K8) (OPT B30NW6K8 (V97928)) (OPT HL11VAZ6-8 (V73197)) (OPT HL11VAZ6-8 (V92215)) (OPT HL11VAZ6-8 (V97928)) (OPT L803-6K8 (V06725)) (OPT HL11VAZ6-8 (V0PTK6)) (OPT HL11VAZ6-8 (V56878))		2
345	HL11VAZ6-6		.BOLT- (V60516) (SPEC BACB30NW6K6) (OPT B30NW6K6 (V97928)) (OPT HL11VAZ6-6 (V73197)) (OPT HL11VAZ6-6 (V92215)) (OPT HL11VAZ6-6 (V97928)) (OPT L803-6K6 (V06725)) (OPT HL11VAZ6-6 (V0PTK6)) (OPT HL11VAZ6-6 (V56878))		68

57-53-27

 ILLUSTRATED PARTS LIST  
 01.101 Page 1048M  
 Mar 01/05

FIG. & ITEM	PART NO.	AIRLINE PART NUMBER	NOMENCLATURE 1234567	EFF CODE	QTY PER ASSY
05-350	HL79-6		.COLLAR- (V5M902) (SPEC BACC30M6) (OPT HL79-6 (V73197)) (OPT HL79-6 (V92215)) (OPT 66014-6 (V56878)) (OPT HL79-6 (V56878))		70
355	HL11VAZ6-6		.BOLT- (V60516) (SPEC BACB30NW6K6) (OPT B30NW6K6 (V97928)) (OPT HL11VAZ6-6 (V73197)) (OPT HL11VAZ6-6 (V92215)) (OPT HL11VAZ6-6 (V97928)) (OPT L803-6K6 (V06725)) (OPT HL11VAZ6-6 (V0PTK6)) (OPT HL11VAZ6-6 (V56878))	A-D	63
-355A	HL448AZ6-6		.BOLT- (V60516) (SPEC BACB30MB6AK6) (OPT HL448AZ6-6 (V73197)) (OPT HL448AZ6-6 (V80539)) (OPT HL448AZ6-6 (V92215)) (OPT HL448AZ6-6 (V08524)) (OPT HL448AZ6-6 (V97928)) (OPT HL448AZ6-6 (V9N513)) (OPT HL448AZ6-6 (V56878))	E-AH, AN-AR	63

# 57-53-27

 ILLUSTRATED PARTS LIST  
 01.101 Page 1048N  
 Mar 01/05


**BOEING**  
 COMPONENT  
 MAINTENANCE MANUAL

FIG. & ITEM	PART NO.	AIRLINE PART NUMBER	NOMENCLATURE 1234567	EFF CODE	QTY PER ASSY
05-360	HL79-6		.COLLAR- (V5M902) (SPEC BACC30M6) (OPT HL79-6 (V73197)) (OPT HL79-6 (V92215)) (OPT 66014-6 (V56878)) (OPT HL79-6 (V56878))	A-D	63
-360A	HL1187-6		.COLLAR- (V5M902) (SPEC BACC30X6) (OPT HL87-6 (V73197)) (OPT HL87-6 (V92215)) (OPT HL1187-6 (V56878)) (OPT HL1187-6 (V92215)) (OPT HL87-6 (V56878)) (OPT HL1187-6 (V73197))	E-AR	63
365	BACB30NN4K9		.BOLT		3
370	BACB30NN3K6		.BOLT		280
375	BACR15FT6KE		.RIVET- (SIZE DETERMINE ON INST)		262
380	HL10VAZ6-4		.BOLT- (V60516) (SPEC BACB30MY6K4) (OPT B30MY6K4 (V97928))		57
385	HL10VAZ6-3		.BOLT- (V60516) (SPEC BACB30MY6K3) (OPT B30MY6K3 (V97928))		56

57-53-27

 ILLUSTRATED PARTS LIST  
 01.101 Page 10480  
 Mar 01/05

FIG. & ITEM	PART NO.	AIRLINE PART NUMBER	NOMENCLATURE 1234567	EFF CODE	QTY PER ASSY
05-390	HL79-6		.COLLAR- (V5M902) (SPEC BACC30M6) (OPT HL79-6 (V73197)) (OPT HL79-6 (V92215)) (OPT 66014-6 (V56878)) (OPT HL79-6 (V56878))		113
395	HL10VAZ8-6		.BOLT- (V60516) (SPEC BACB30MY8K6) (OPT B30MY8K6 (V97928))		1
400	HL79-8		.COLLAR- (V5M902) (SPEC BACC30M8) (OPT HL79-8 (V73197)) (OPT HL79-8 (V92215)) (OPT 66014-8 (V56878)) (OPT HL79-8 (V56878))		1
405	HL10VAZ6-4		.BOLT- (V60516) (SPEC BACB30MY6K4) (OPT B30MY6K4 (V97928))	E-AR	1

# 57-53-27

 ILLUSTRATED PARTS LIST  
 01.101 Page 1048P  
 Mar 01/05




**BOEING**  
 COMPONENT  
 MAINTENANCE MANUAL

FIG. & ITEM	PART NO.	AIRLINE PART NUMBER	NOMENCLATURE 1234567	EFF CODE	QTY PER ASSY
05-410	HL10VAZ6-3		.BOLT- (V60516) (SPEC BACB30MY6K3) (OPT B30MY6K3 (V97928))	E-AR	1
415	HL79-6		.COLLAR- (V5M902) (SPEC BACC30M6) (OPT HL79-6 (V73197)) (OPT HL79-6 (V92215)) (OPT 66014-6 (V56878)) (OPT HL79-6 (V56878))	E-AR	2
420	113T2222-7		.STRAP-LWR (USED ON ITEMS 1, 1A)	A,B	1
-420A	113T2222-21		.STRAP-LWR (USED ON ITEM 1B)	A,B,E ,F,J, L,N,Q ,S,U, W,Y AA,AC ,AE,A G,AJ, AL,AN ,AQ	1
-425	113T2222-8		.STRAP-LWR (USED ON ITEMS 5, 5A)	C,D	1
-425A	113T2222-22		.STRAP-LWR (USED ON ITEM 5B)	C,D,G ,H,K, M,P,R ,T,V, X,Z AB,AD ,AF,A H,AK, AM,AP ,AR	1

57-53-27

 ILLUSTRATED PARTS LIST  
 01.101 Page 1048Q  
 Mar 01/05

FIG. & ITEM	PART NO.	AIRLINE PART NUMBER	NOMENCLATURE 1234567	EFF CODE	QTY PER ASSY
05- 430	113T2222-3		.WEB		1
435	BACR15BA3AD		.RIVET- (SIZE DETERMINE ON INST)		574
440	BACN10JQ43		.NUTPLATE		6
445	NS103194-02-2		.NUTPLATE- (V80539) (SPEC BACN10KE3E2) (OPT F51752-3-2 (V15653)) (OPT RMF9216-2-3 (V72962)) (OPT BRFR120A3-2 (V52828))		4
450	BACN10JQ42		.NUTPLATE		1
455	NS103191-02-2		.NUTPLATE- (V80539) (SPEC BACN10KE3B2) (OPT F51750-3-2 (V15653)) (OPT RMF9213-2-3 (V72962)) (OPT BRFR220A3-2 (V52825))		276
460	113T2223-5		.CHORD-LWR (USED ON ITEMS 1, 1A)	A,B	1
-460A	113T2223-11		.CHORD-LWR (USED ON ITEM 1B)	A,B,E ,F,J, L,N,Q ,S,U, W,Y AA,AC ,AE,A G,AJ, AL,AN ,AQ	1

57-53-27

 ILLUSTRATED PARTS LIST  
 01.101 Page 1048R  
 Mar 01/05

**BOEING**  
 COMPONENT  
 MAINTENANCE MANUAL

FIG. & ITEM	PART NO.	AIRLINE PART NUMBER	NOMENCLATURE 1234567	EFF CODE	QTY PER ASSY
05- -465	113T2223-6		.CHORD-LWR (USED ON ITEMS 5, 5A)	C,D	1
-465A	113T2223-12		.CHORD-LWR (USED ON ITEM 5B)	C,D,G ,H,K, ,M,P,R ,T,V, ,X,Z AB,AD ,AF,A H,AK, AM,AP ,AR	1
470	113T2223-1		.CHORD-UPR FWD (USED ON ITEMS 1, 1A)	A,B	1
-470A	113T2223-9		.CHORD-UPR FWD (USED ON ITEM 1B)	A,B,E ,F,J, L,N,Q ,S,U, W,Y AA,AC ,AE,A G,AJ, AL,AN ,AQ	1
-475	113T2223-2		.CHORD-UPR FWD (USED ON ITEMS 5, 5A)	C,D	1
-475A	113T2223-10		.CHORD-UPR FWD (USED ON ITEM 5B)	C,D,G ,H,K, ,M,P,R ,T,V, ,X,Z AB,AD ,AF,A H,AK, AM,AP ,AR	1

**57-53-27**

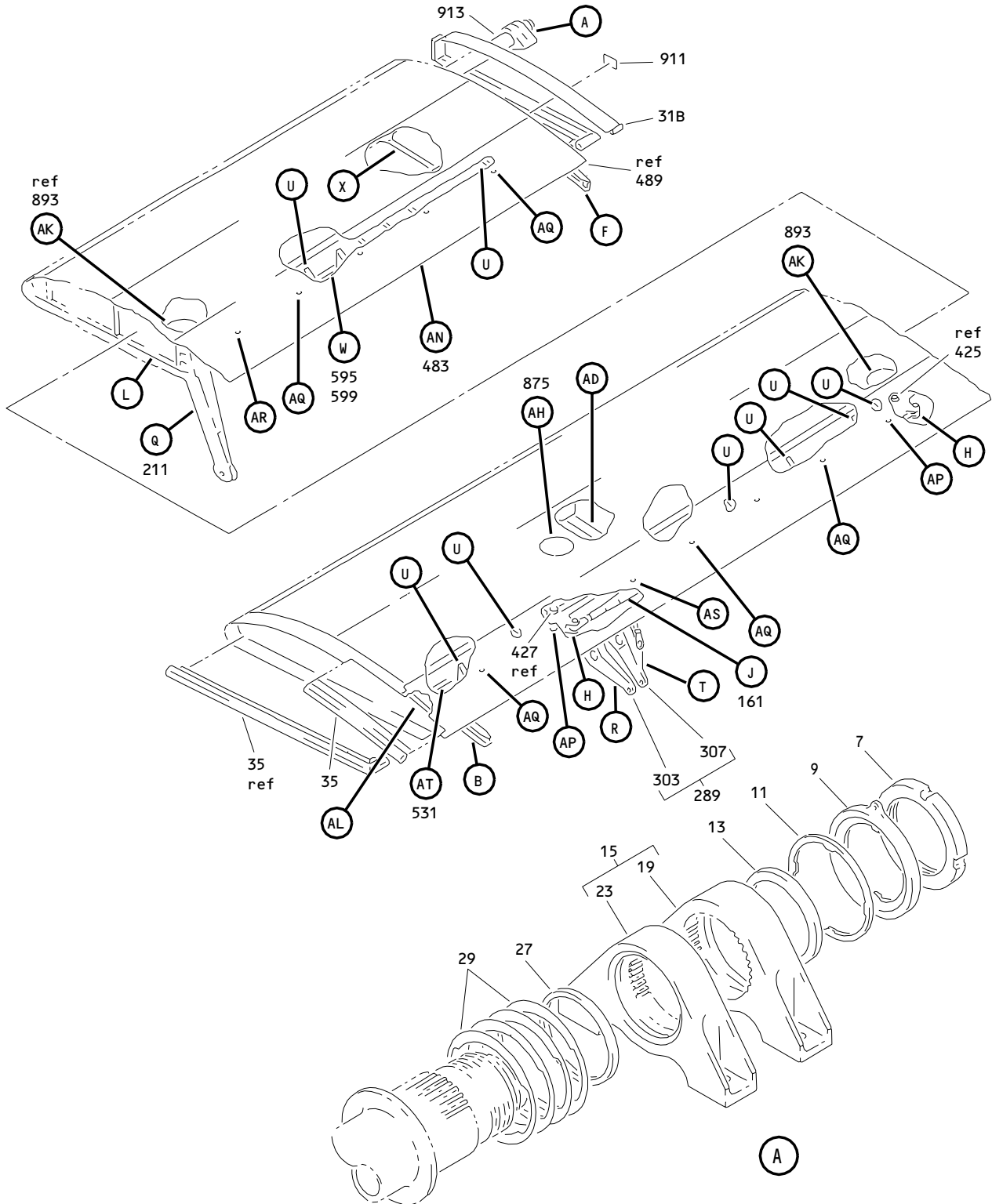
ILLUSTRATED PARTS LIST  
 01.101 Page 1048S  
 Mar 01/05

FIG. & ITEM	PART NO.	AIRLINE PART NUMBER	NOMENCLATURE 1234567	EFF CODE	QTY PER ASSY
05-480	113T2223-3		.CHORD-UPR REAR (USED ON ITEMS 1, 1A)	A,B	1
-480A	113T2223-7		.CHORD-UPR REAR (USED ON ITEM 1B)	A,B,E ,F,J, L,N,Q ,S,U, W,Y AA,AC ,AE,A G,AJ, AL,AN ,AQ	1
-485	113T2223-4		.CHORD-UPR REAR (USED ON ITEMS 5, 5A)	C,D	1
-485A	113T2223-8		.CHORD-UPR REAR (USED ON ITEM 5B)	C,D,G ,H,K, M,P,R ,T,V, X,Z AB,AD ,AF,A H,AK, AM,AP ,AR	1

- Item Not Illustrated

# 57-53-27

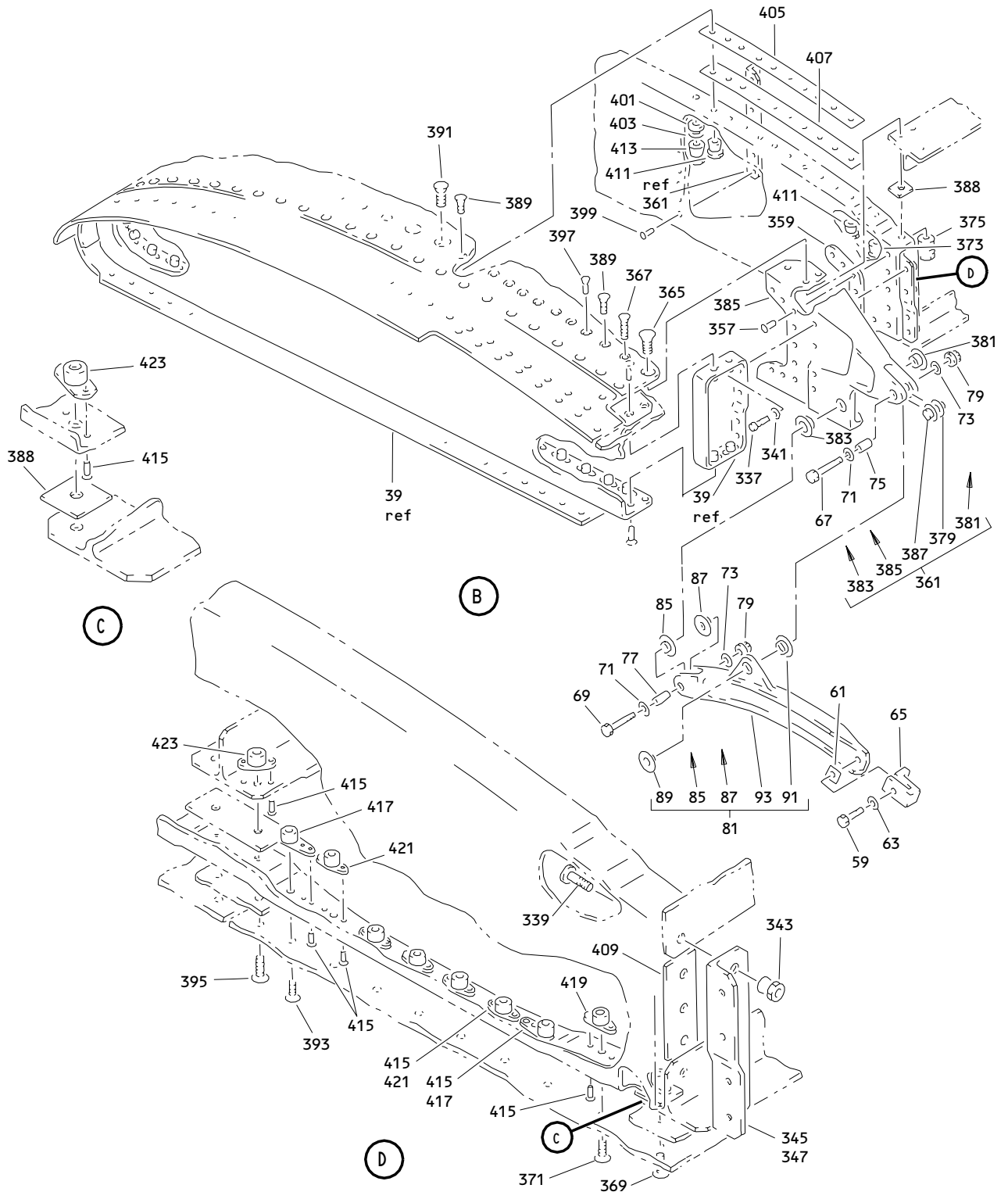
ILLUSTRATED PARTS LIST  
 01.101 Page 1048T  
 Mar 01/05



Inboard Trailing Edge Flap Main Flap Assembly  
Figure 6 (Sheet 1)

**57-53-27**

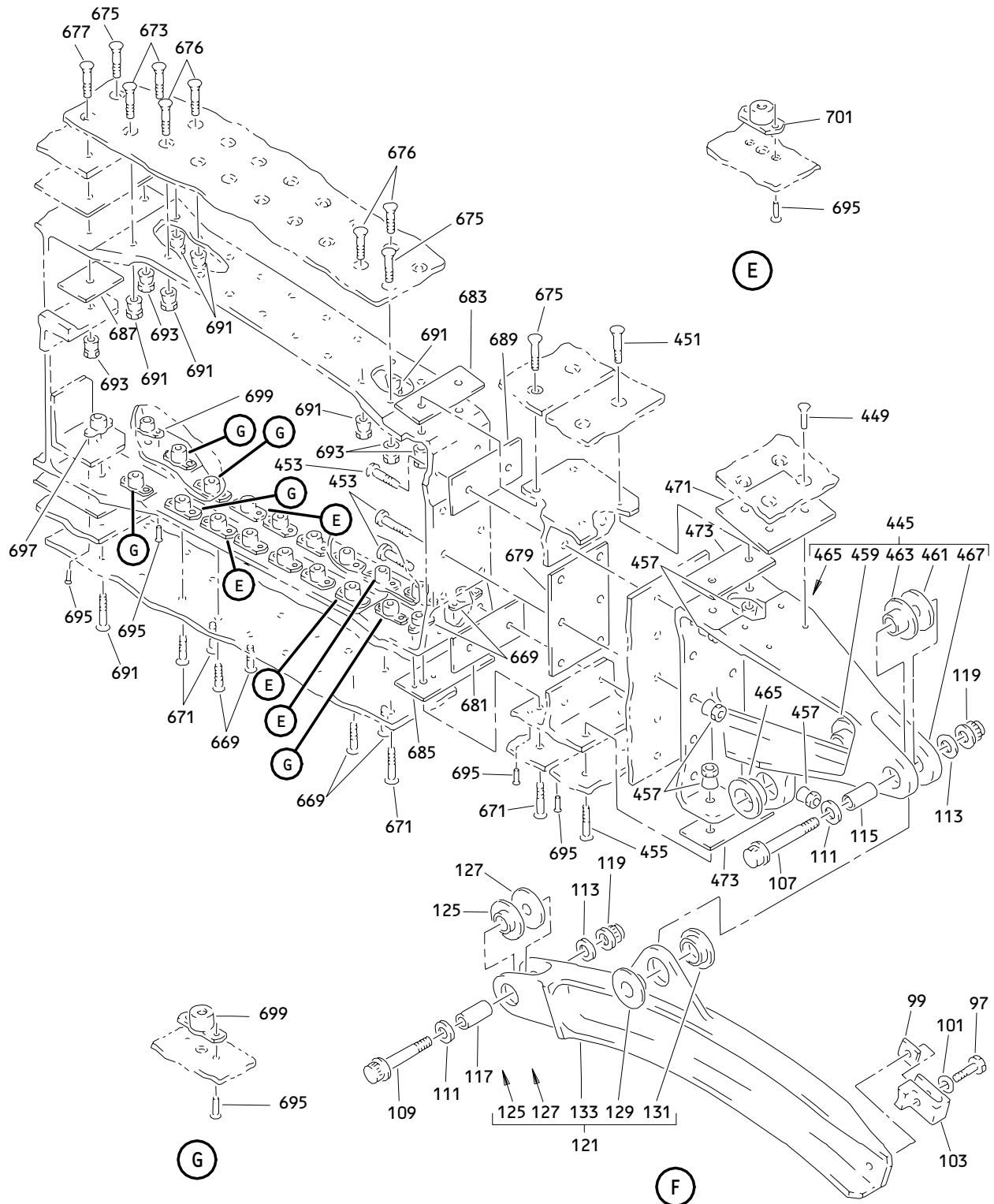
ILLUSTRATED PARTS LIST  
01.101 Page 1048V  
Mar 01/05



Inboard Trailing Edge Flap Main Flap Assembly  
 Figure 6 (Sheet 2)

**57-53-27**

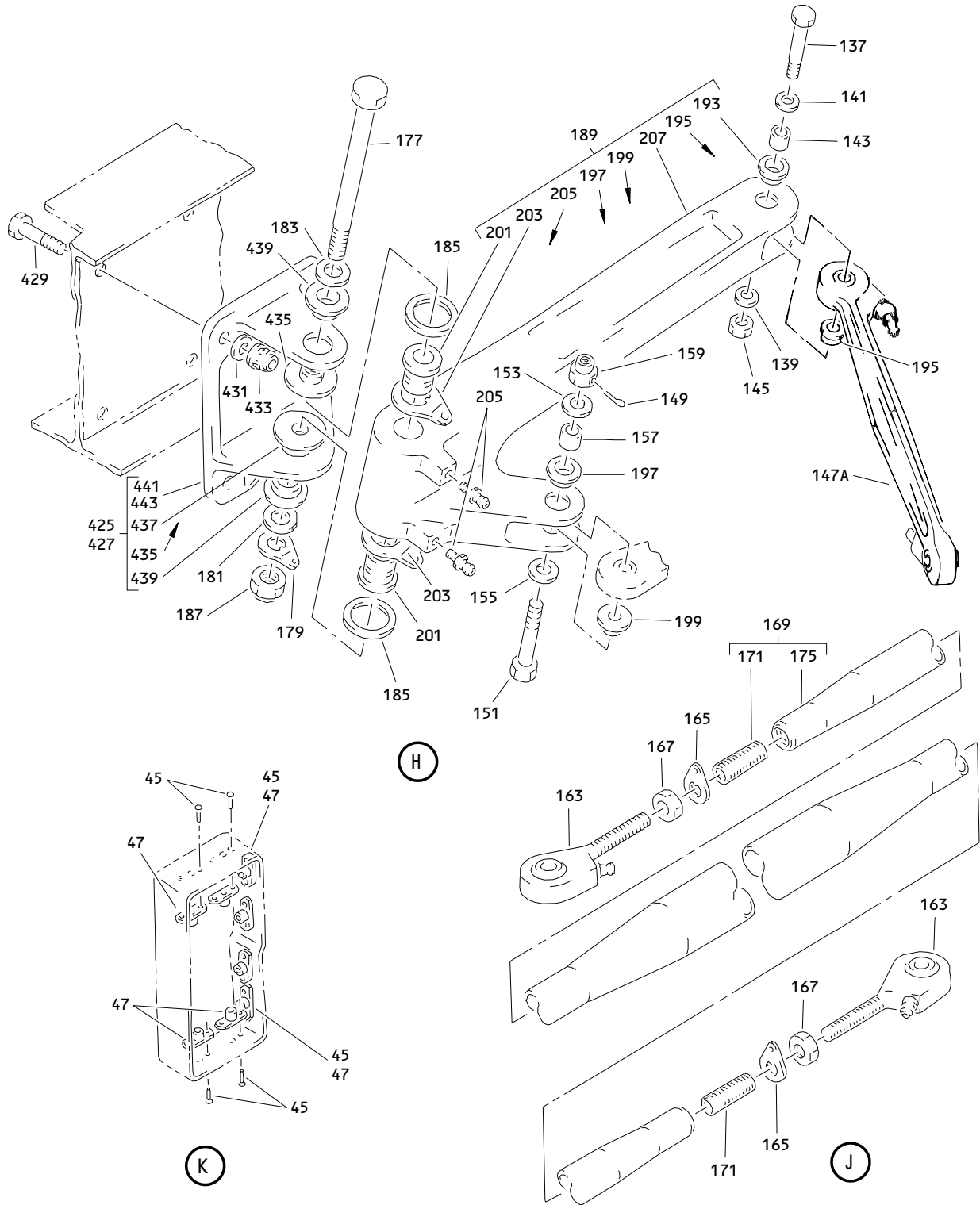
ILLUSTRATED PARTS LIST  
 01.101 Page 1048W  
 Mar 01/05



Inboard Trailing Edge Flap Main Flap Assembly  
 Figure 6 (Sheet 3)

**57-53-27**

ILLUSTRATED PARTS LIST  
 01.101 Page 1048X  
 Mar 01/05

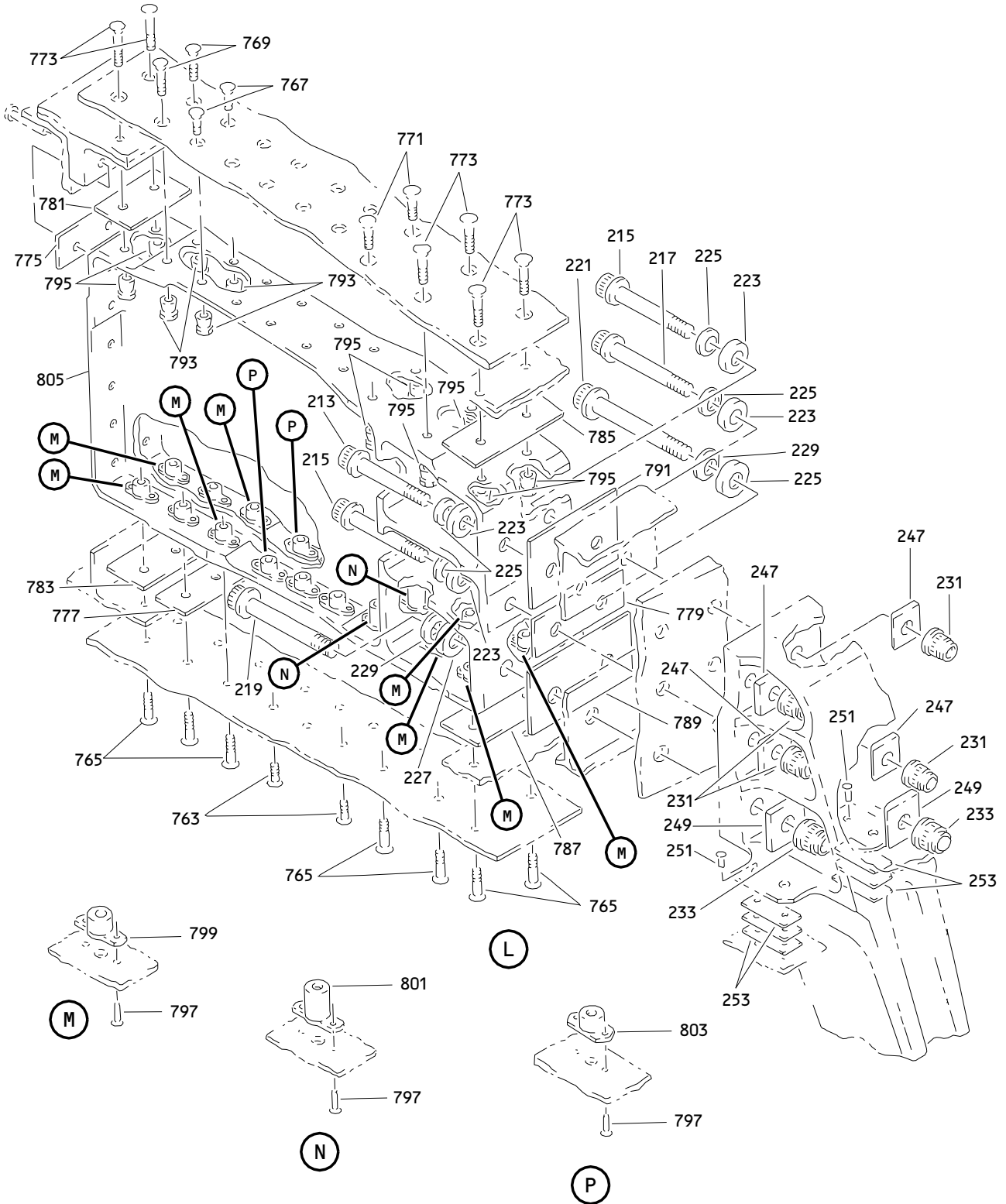


Inboard Trailing Edge Flap Main Flap Assembly  
 Figure 6 (Sheet 4)

**57-53-27**

ILLUSTRATED PARTS LIST  
 01.101 Page 1048Y  
 Mar 01/05

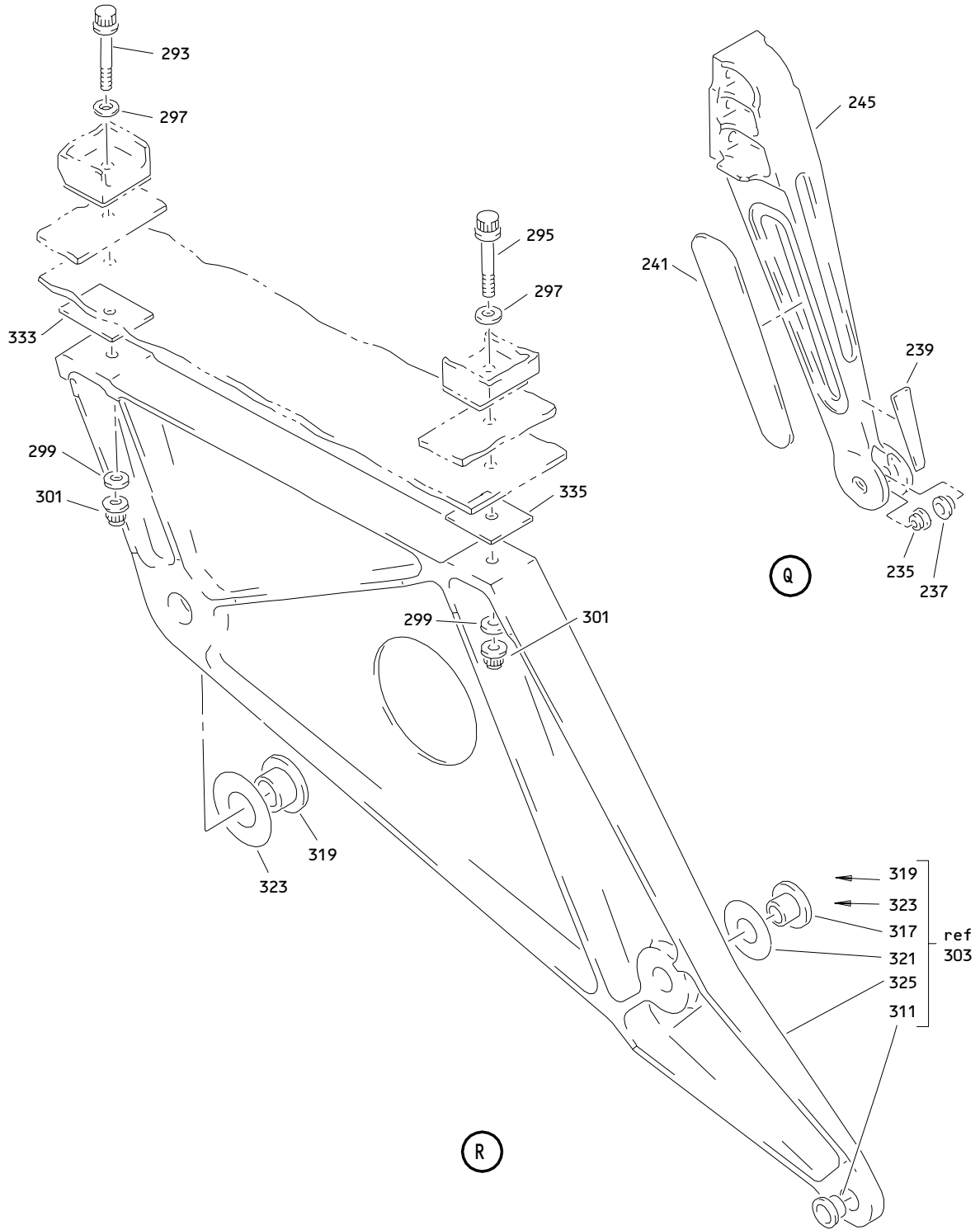




Inboard Trailing Edge Flap Main Flap Assembly  
Figure 6 (Sheet 5)

**57-53-27**

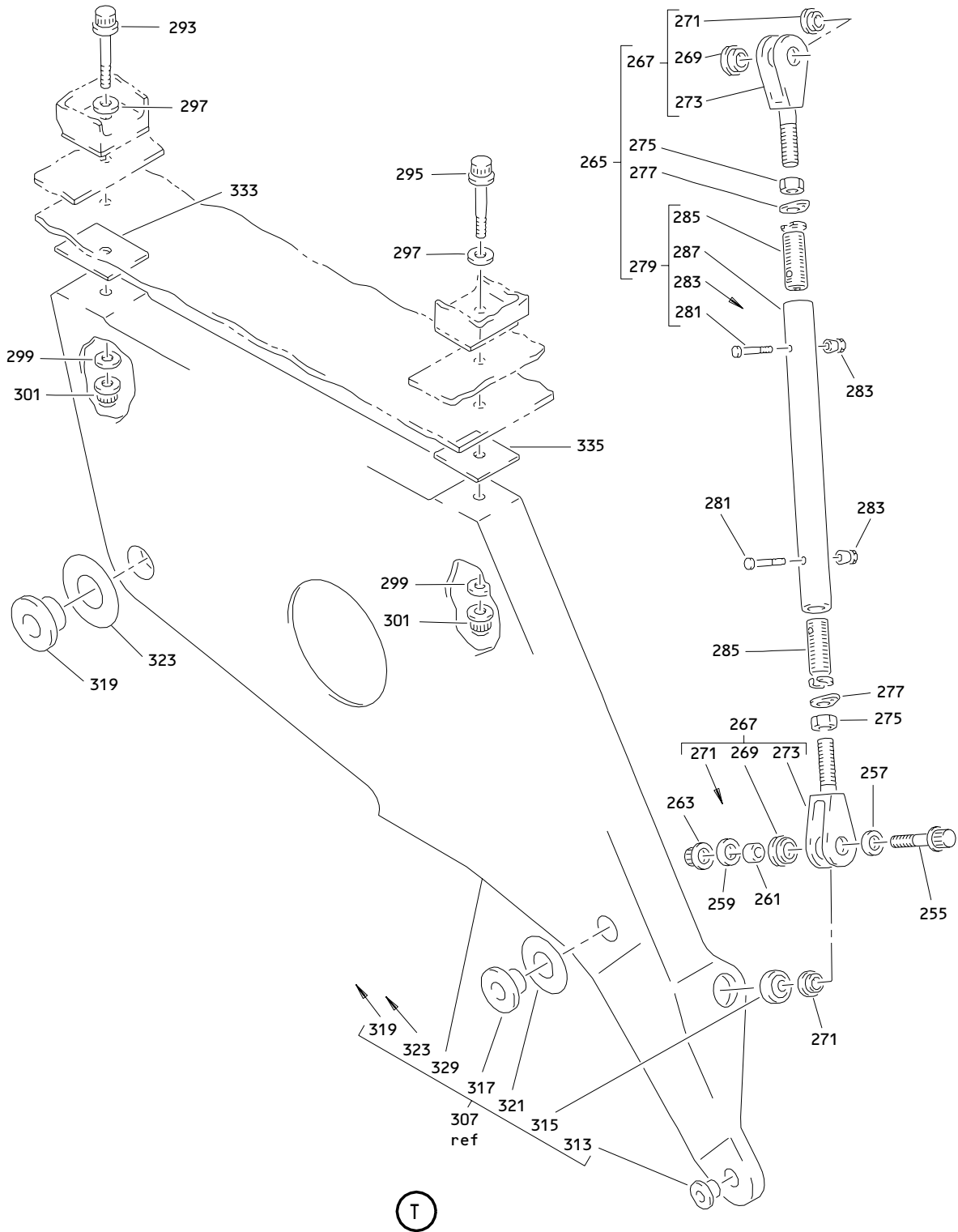
ILLUSTRATED PARTS LIST  
01.101 Page 1048Z  
Mar 01/05



Inboard Trailing Edge Flap Main Flap Assembly  
 Figure 6 (Sheet 6)

**57-53-27**

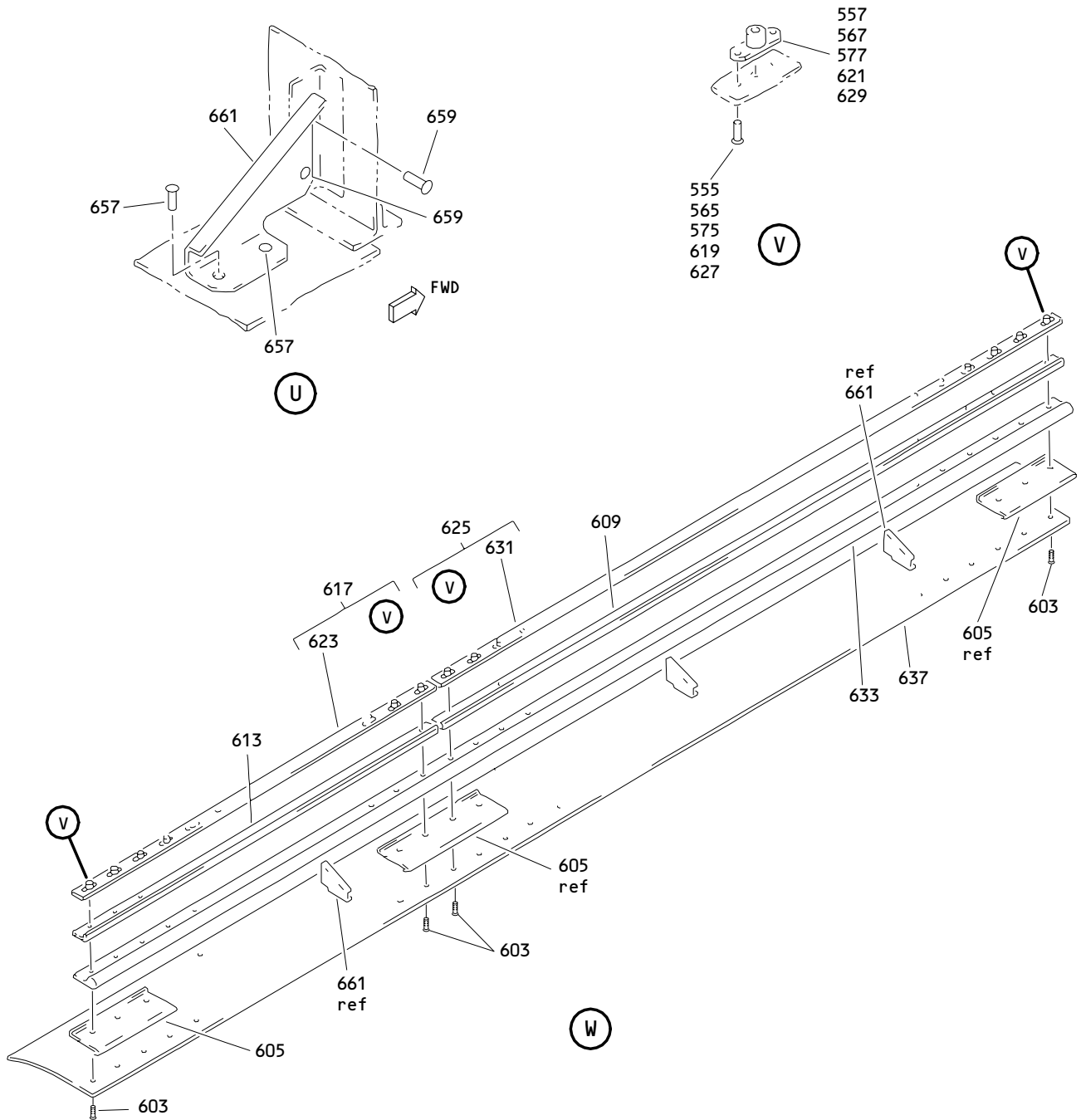
ILLUSTRATED PARTS LIST  
 01.101 Page 1049  
 Mar 01/05



Inboard Trailing Edge Flap Main Flap Assembly  
 Figure 6 (Sheet 7)

**57-53-27**

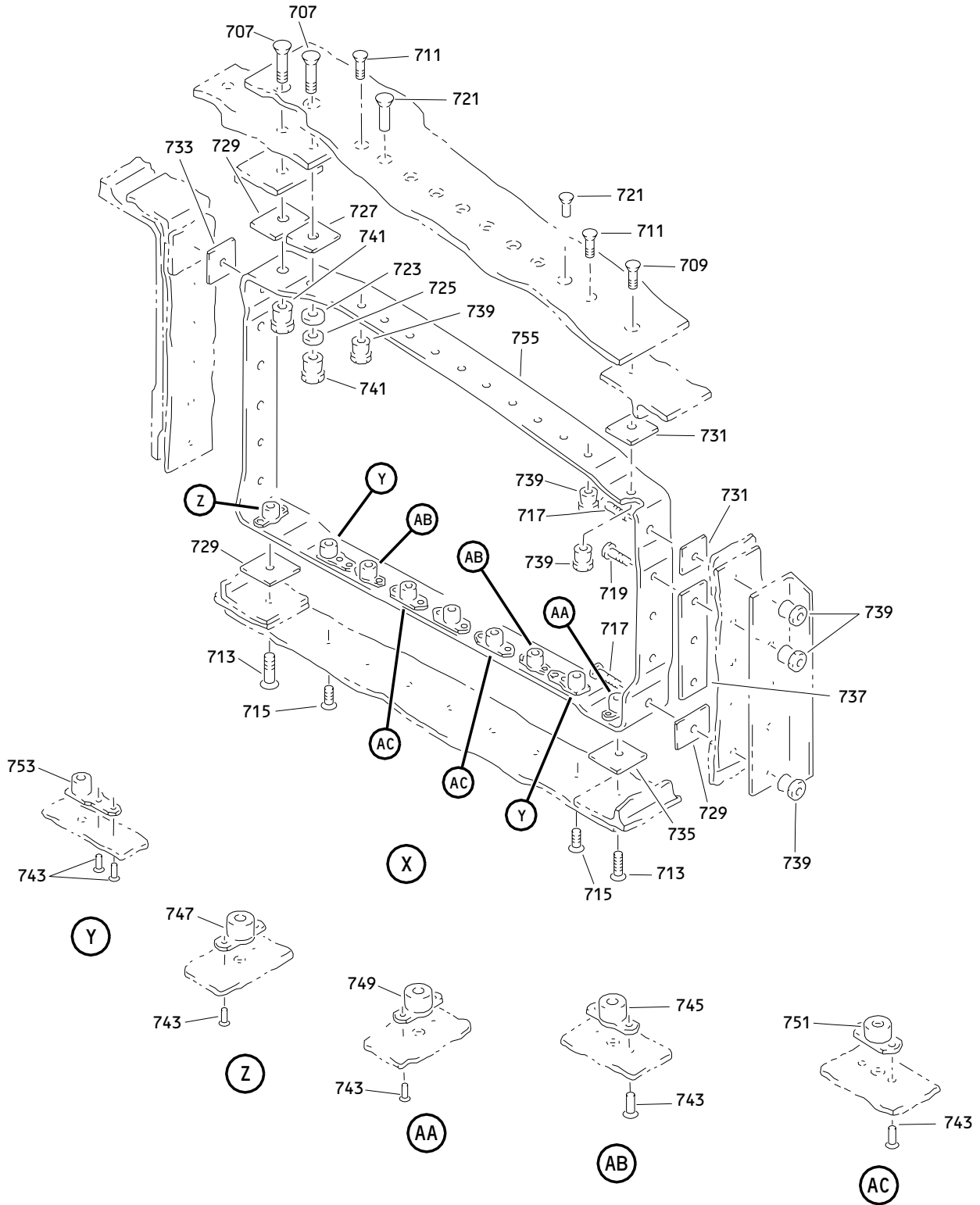
ILLUSTRATED PARTS LIST  
 01.101 Page 1050  
 Mar 01/05



Inboard Trailing Edge Flap Main Flap Assembly  
 Figure 6 (Sheet 8)

**57-53-27**

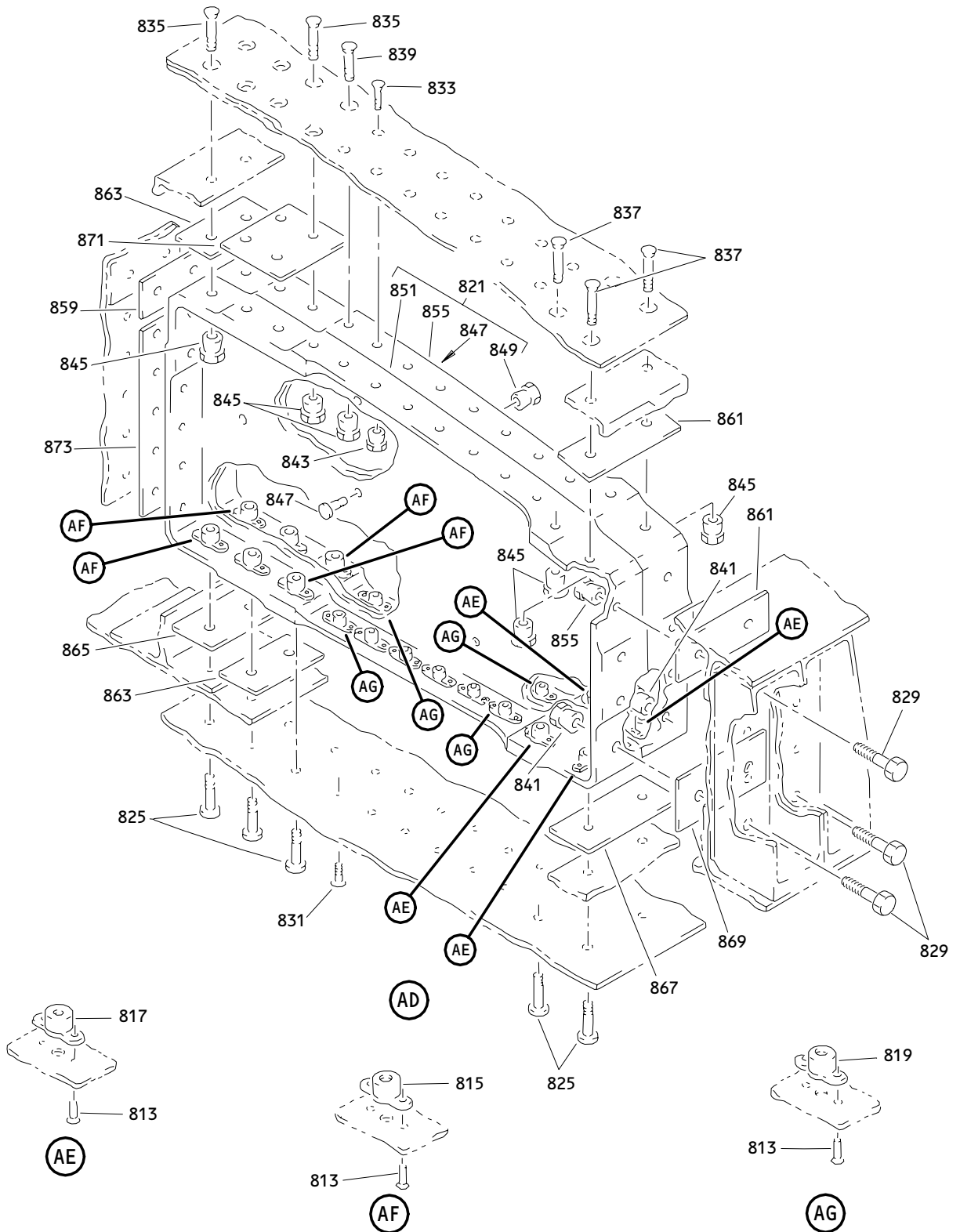
ILLUSTRATED PARTS LIST  
 01.101 Page 1050A  
 Mar 01/05



Inboard Trailing Edge Flap Main Flap Assembly  
Figure 6 (Sheet 9)

**57-53-27**

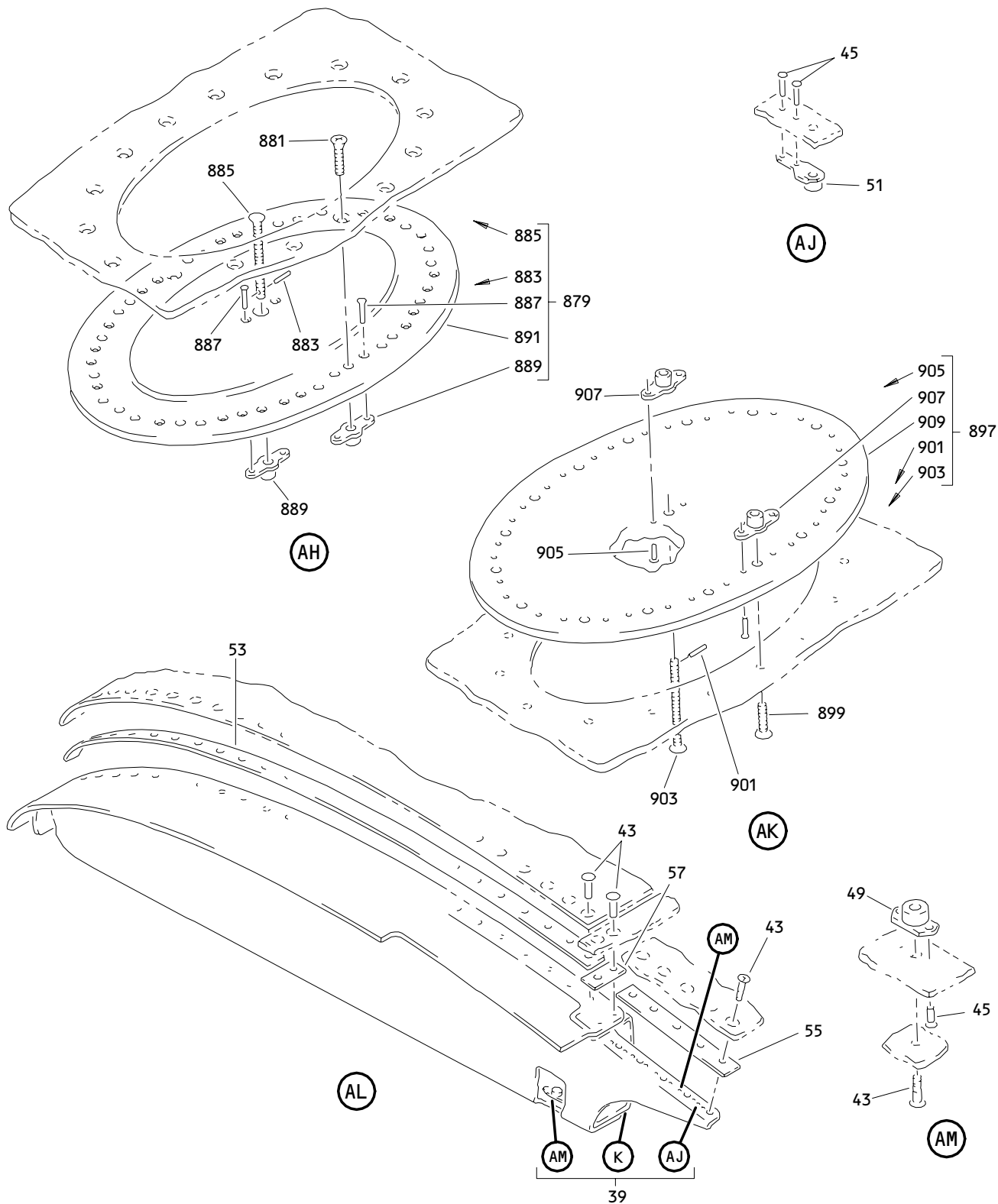
ILLUSTRATED PARTS LIST  
01.101 Page 1050B  
Mar 01/05



Inboard Trailing Edge Flap Main Flap Assembly  
Figure 6 (Sheet 10)

**57-53-27**

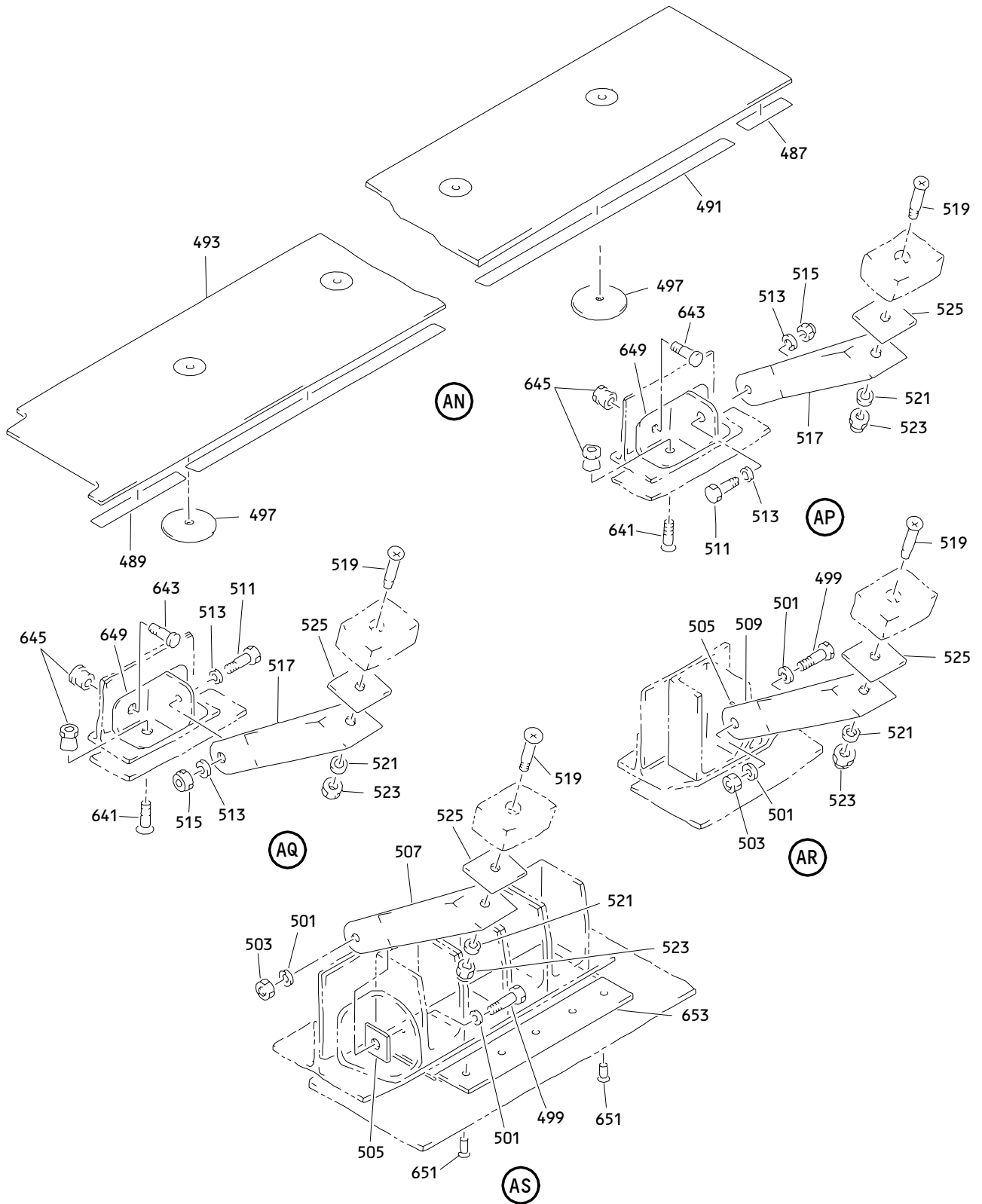
ILLUSTRATED PARTS LIST  
01.101 Page 1050C  
Mar 01/05



Inboard Trailing Edge Flap Main Flap Assembly  
 Figure 6 (Sheet 11)

**57-53-27**

ILLUSTRATED PARTS LIST  
 01.101 Page 1050D  
 Mar 01/05

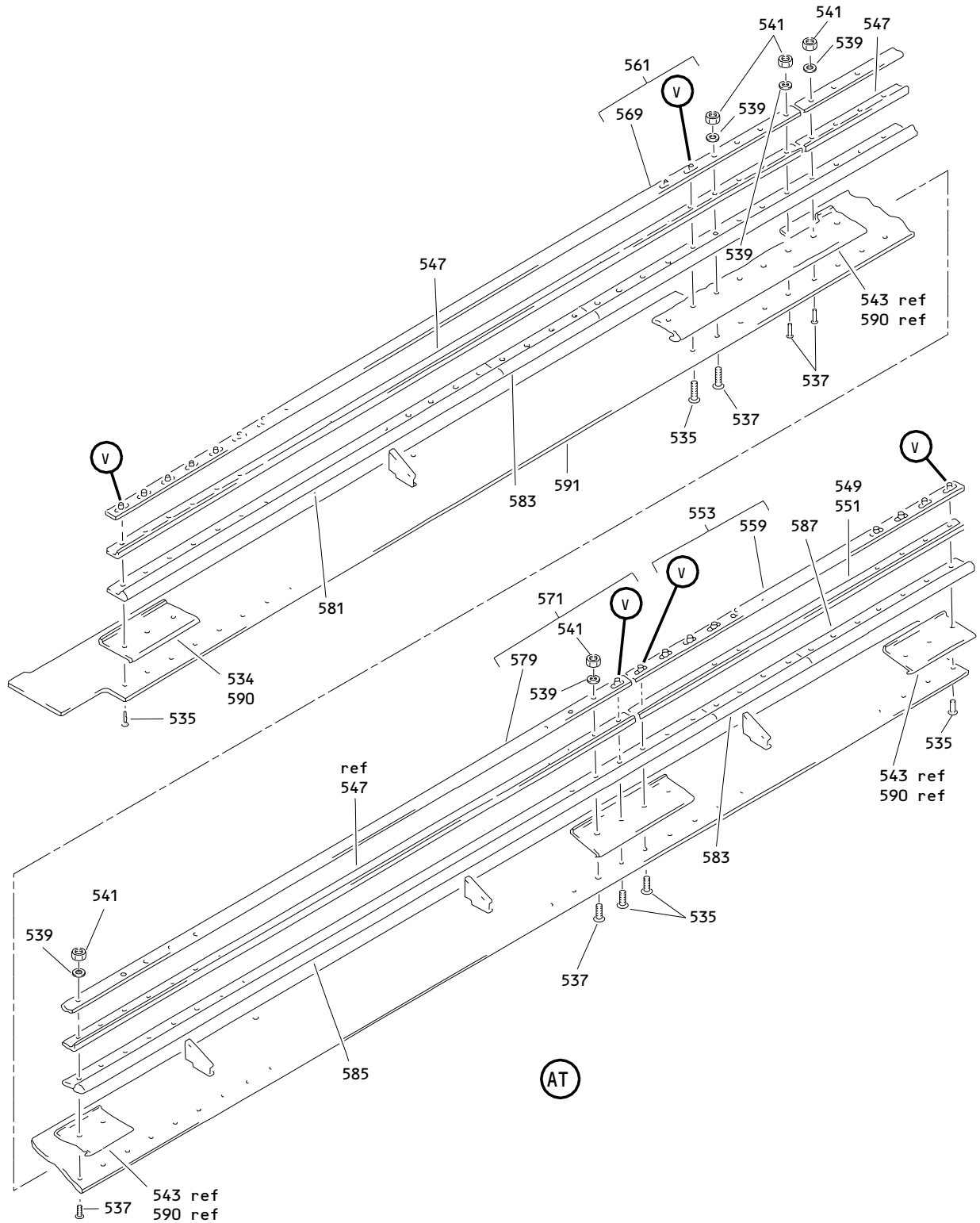


Inboard Trailing Edge Flap Main Flap Assembly  
 Figure 6 (Sheet 12)

**57-53-27**

ILLUSTRATED PARTS LIST  
 01.101 Page 1050E  
 Mar 01/05





Inboard Trailing Edge Flap Main Flap Assembly  
 Figure 6 (Sheet 13)

**57-53-27**

ILLUSTRATED PARTS LIST  
 01.101 Page 1050F  
 Mar 01/05


**BOEING**  
 COMPONENT  
 MAINTENANCE MANUAL

FIG. & ITEM	PART NO.	AIRLINE PART NUMBER	NOMENCLATURE 1234567	EFF CODE	QTY PER ASSY
06- -1	113T2201-19SP		FLAP ASSY-INBD TE FLAP MAIN (LH)	F	RF
-1A	113T2201-17		FLAP ASSY-INBD TE FLAP MAIN (VARIABLE) (LH)	J	RF
-1B	113T2201-21		FLAP ASSY-INBD TE FLAP MAIN (VARIABLE) (LH)	L	RF
-1C	113T2201-23SP		DELETED		
-1D	113T2201-25SP		FLAP ASSY-INBD TE FLAP MAIN (LH)	Q	RF
-5	113T2201-20SP		FLAP ASSY-INBD TE FLAP MAIN (RH)	H	RF
-5A	113T2201-18		FLAP ASSY-INBD TE FLAP MAIN (VARIABLE) (RH)	K	RF
-5B	113T2201-22		FLAP ASSY-INBD TE FLAP MAIN (VARIABLE ) (RH)	M	RF
-5C	113T2201-24SP		DELETED		
-5D	113T2201-26SP		FLAP ASSY-INBD TE FLAP MAIN (RH)	R	RF
7	113T2106-6		.NUT-COLLAR FTG	F, H-M /Q, R	1
9	113T2106-8		.WASHER-COLLAR FTG	F, H-M /Q, R	1
11	113T2106-7		.WASHER-COLLAR FTG	F, H-M /Q, R	1
13	113T1256-35		.SEAL-COLLAR FTG (OPT ITEM 13A)	F, H-M /Q, R	1
-13A	113T1256-45		.SEAL-COLLAR FTG (OPT ITEM 13)	F, H-M /Q, R	1
15	113T2252-5		.FITTING ASSY-COLLAR (PRE SB 767-57A0066R3)	F, J, L /Q	1
-15A	113T2252-13		.FITTING ASSY-COLLAR (OPT ITEM 15B)	F, J, L /Q	1
-15B	113T2252-401		.FITTING ASSY-COLLAR (POST SB 767-57A0066R3)	F, J, L /Q	1

57-53-27

 ILLUSTRATED PARTS LIST  
 01.101 Page 1050G  
 Mar 01/05

FIG. & ITEM	PART NO.	AIRLINE PART NUMBER	NOMENCLATURE 1234567	EFF CODE	QTY PER ASSY
06- -17	113T2252-6		.FITTING ASSY-COLLAR (PRE SB 767-57A0066R3)	H,K,M ,R	1
-17A	113T2252-14		.FITTING ASSY-COLLAR (OPT ITEM 17B) (POST SB 767-57A0066R3)	H,K,M ,R	1
-17B	113T2252-402		.FITTING ASSY-COLLAR (OPT ITEM 17A) (POST SB 767-57A0066R3)	H,K,M ,R	1
19	113T2252-3		..FITTING- (USED ON ITEM 15)	F,J,L ,Q	1
-19A	113T2252-11		..FITTING- (USED ON ITEM 15A)	F,J,L ,Q	1
-19B	113T2252-405		..FITTING- (USED ON ITEM 15B)	F,J,L ,Q	1
-21	113T2252-4		..FITTING- (USED ON ITEM 17)	H,K,M ,R	1
-21A	113T2252-12		..FITTING- (USED ON ITEM 17A)	H,K,M ,R	1
-21B	113T2252-406		..FITTING- (USED ON ITEM 17B)	H,K,M ,R	1
23	113T2252-1		..FITTING- (USED ON ITEM 15)	F,J,L ,Q	1
-23A	113T2252-9		..FITTING- (USED ON ITEM 15A)	F,J,L ,Q	1
-23B	113T2252-403		..FITTING- (USED ON ITEM 15B)	F,J,L ,Q	1
-25	113T2252-2		..FITTING- (USED ON ITEM 17)	H,K,M ,R	1
-25A	113T2252-10		..FITTING- (USED ON ITEM 17A)	H,K,M ,R	1
-25B	113T2252-404		..FITTING- (USED ON ITEM 17B)	H,K,M ,R	1
27	113T1256-36		.SEAL-COLLAR FTG (OPT ITEM 27A)	F,H-M ,Q,R	1
-27A	113T1256-47		.SEAL-COLLAR FTG (OPT ITEM 27)	F,H-M ,Q,R	1
29	113T2106-5		.WASHER-COLLAR FTG	F,H-M ,Q,R	AR
31	113T2202-43		DELETED		
-31A	113T2202-43		DELETED		
31B	113T2202-53		.SEAL INSTL-INBD (FOR DETAILS SEE FIG. 3)	F,J,L ,Q	1
-33	113T2202-44		DELETED		

57-53-27

 ILLUSTRATED PARTS LIST  
 01.101 Page 1050H  
 Mar 01/05


**BOEING**  
 COMPONENT  
 MAINTENANCE MANUAL

FIG. & ITEM	PART NO.	AIRLINE PART NUMBER	NOMENCLATURE 1234567	EFF CODE	QTY PER ASSY
06-			DELETED		
-33A	113T2202-44		.SEAL INSTL-INBD	H,K,M	1
-33B	113T2202-54		(FOR DETAILS SEE FIG. 3)	,R	
35	113T2202-3		.SEAL INSTL-OUTBD	F,J,L	1
			(FOR DETAILS SEE FIG. 3)	,Q	
-37	113T2202-4		.SEAL INSTL-OUTBD	H,K,M	1
			(FOR DETAILS SEE FIG. 3)	,R	
39	113T2204-15		.FRANGIBLE ASSY	F,J,L	1
				,Q	
-41	113T2204-16		.FRANGIBLE ASSY	H,K,M	1
				,R	
43	BACB30NN3K6		ATTACHING PARTS .BOLT	F,H-M	57
			-----*-----	,Q,R	
45	BACR15BA3AD		..RIVET-	F,H-M	122
			(SIZE DETERMINE ON INST)	,Q,R	
47	BACN10JQ32		..NUTPLATE	F,H-M	8
				,Q,R	
49	NS103191-02-4		..NUTPLATE-	F,H-M	52
			(V80539)	,Q,R	
			(SPEC BACN10KE3B4)		
			(OPT F51750-3-4		
			(V15653))		
			(OPT RMF9213-4-3		
			(V72962))		
			(OPT BRFR220A3-4		
			(V52828))		
51	NS103194-02-4		..NUTPLATE-	F,H-M	1
			(V80539)	,Q,R	
			(SPEC BACN10KE3E4)		
			(OPT F51752-3-4		
			(V15653))		
			(OPT RMF9216-4-3		
			(V72962))		
			(OPT BRFR120A3-4		
			(V52828))		

57-53-27

 ILLUSTRATED PARTS LIST  
 01.101 Page 1050I  
 Mar 01/05

FIG. & ITEM	PART NO.	AIRLINE PART NUMBER	NOMENCLATURE 1234567	EFF CODE	QTY PER ASSY
06-53	BACS40R08C374F		.SHIM	F, H-M /Q, R	1
55	BACS40R12C75F		.SHIM	F, H-M /Q, R	1
57	BACS40R10C10F		.SHIM	F, H-M /Q, R	1
59	BACB30LJ4H5		.BOLT	F, H-M /Q, R	1
61	113T2201-3		.SHIM	F, H-M /Q, R	1
63	BACW10BP4APU		.WASHER	F, H-M /Q, R	1
65	113T2279-1		.STOP-OVER TRAVEL	F, H-M /Q, R	1
67	BACB30LE5U19		.BOLT	F, H-M /Q, R	1
69	BACB30LE5U18		.BOLT	F, H-M /Q, R	1
71	BACW10BP5ACU		.WASHER	F, H-M /Q, R	2
73	BACW10BP5DP		.WASHER	F, H-M /Q, R	2
75	BACB28AK05-075		.BUSHING	F, H-M /Q, R	1
77	BACB28AK05-079		.BUSHING	F, H-M /Q, R	1

# 57-53-27

 ILLUSTRATED PARTS LIST  
 01.101 Page 1050J  
 Mar 01/05


**BOEING**  
 COMPONENT  
 MAINTENANCE MANUAL

FIG. & ITEM	PART NO.	AIRLINE PART NUMBER	NOMENCLATURE 1234567	EFF CODE	QTY PER ASSY
06-79	BMN5024CPD5		.NUT- (V08524) (SPEC BACN10HR5CS) (OPT 67832AS524 (V56878)) (OPT 67832AS524 (V56878)) (OPT BMN5024CPD3-5 (V97928)) (OPT BH00303-5 (V27238)) (OPT BMN5024CPD35 (V97928)) (OPT BH003035 (V27238)) (OPT BMN5024CPD35 (V97928)) (OPT CR59085 (V62554)) (OPT 109LH90315 (V72962)) (OPT 67832AS5 (V56878)) (OPT BMN10HRRCPD3-5 (V97928))	F,H-M ,Q,R	2
81	113T2276-5		.TRACK ASSY-OUTBD	F,J,L ,Q	1
-83	113T2276-6		.TRACK ASSY-OUTBD	H,K,M ,R	1
85	113T2104-1		..BUSHING	F,H-M ,Q,R	1
87	113T2104-3		..BUSHING	F,H-M ,Q,R	1
89	113T2104-15		DELETED		
89A	113T2104-5		..BUSHING	F,H-M ,Q,R	1
91	BACB28AP09P018		..BUSHING	F,H-M ,Q,R	1

57-53-27

 ILLUSTRATED PARTS LIST  
 01.101 Page 1050K  
 Mar 01/05

FIG. & ITEM	PART NO.	AIRLINE PART NUMBER	NOMENCLATURE 1234567	EFF CODE	QTY PER ASSY
06-93	113T2276-7		..TRACK- (OPT ITEMS 93A, 93B)	F,J,L ,Q	1
-93A	113T2276-11		..TRACK- (OPT ITEMS 93, 93B)	F,J,L ,Q	1
-93B	113T2276-15		..TRACK- (OPT ITEMS 93, 93A)	F,J,L ,Q	1
-95	113T2276-8		..TRACK- (OPT ITEMS 95A, 95B)	H,K,M ,R	1
-95A	113T2276-12		..TRACK- (OPT ITEMS 95, 95B)	H,K,M ,R	1
-95B	113T2276-16		..TRACK- (OPT ITEMS 95, 95A)	H,K,M ,R	1
97	BACB30LJ4H5		.BOLT	F,H-M ,Q,R	1
99	113T2201-3		.SHIM	F,H-M ,Q,R	1
101	BACW10BP4APU		.WASHER	F,H-M ,Q,R	1
103	113T2279-1		.STOP-OVER TRAVEL	F,H-M ,Q,R	1
105	113T2279-1		DELETED		
107	BACB30LE5U19		.BOLT	F,H-M ,Q,R	1
109	BACB30LE5U18		.BOLT	F,H-M ,Q,R	1
111	BACW10BP5ACU		.WASHER	F,H-M ,Q,R	2
113	BACW10BP5DP		.WASHER	F,H-M ,Q,R	2
115	BACB28AK05-075		.BUSHING	F,H-M ,Q,R	1
117	BACB28AK05-079		.BUSHING	F,H-M ,Q,R	1

# 57-53-27

 ILLUSTRATED PARTS LIST  
 01.101 Page 1050L  
 Mar 01/05


**BOEING**  
 COMPONENT  
 MAINTENANCE MANUAL

FIG. & ITEM	PART NO.	AIRLINE PART NUMBER	NOMENCLATURE 1234567	EFF CODE	QTY PER ASSY
06-119	BMN5024CPD5		.NUT- (V08524) (SPEC BACN10HR5CS) (OPT 67832AS524 (V56878)) (OPT 67832AS524 (V56878)) (OPT BMN5024CPD3-5 (V97928)) (OPT BH00303-5 (V27238)) (OPT BMN5024CPD35 (V97928)) (OPT BH003035 (V27238)) (OPT BMN5024CPD35 (V97928)) (OPT CR59085 (V62554)) (OPT 109LH90315 (V72962)) (OPT 67832AS5 (V56878)) (OPT BMN10HRRCPD3-5 (V97928))	F,H-M ,Q,R	2
121	113T2272-5		.TRACK ASSY-INBD	F,J,L ,Q	1
-123	113T2272-6		.TRACK ASSY-INBD	H,K,M ,R	1
125	113T2104-1		..BUSHING	F,H-M ,Q,R	1
127	113T2104-3		..BUSHING	F,H-M ,Q,R	1
129	113T2104-5		..BUSHING	F,H-M ,Q,R	1
131	BACB28AP09P018		..BUSHING	F,H-M ,Q,R	1
133	113T2272-7		..TRACK- (OPT ITEMS 133A, 133B)	F,J,L ,Q	1
-133A	113T2272-11		..TRACK- (OPT ITEMS 133, 133B)	F,J,L ,Q	1
-133B	113T2272-15		..TRACK- (OPT ITEMS 133, 133A)	F,J,L ,Q	1
-135	113T2272-8		..TRACK- (OPT ITEMS 135A, 135B)	H,K,M ,R	1

57-53-27

 ILLUSTRATED PARTS LIST  
 01.101 Page 1050M  
 Mar 01/05



FIG. & ITEM	PART NO.	AIRLINE PART NUMBER	NOMENCLATURE 1234567	EFF CODE	QTY PER ASSY
06-					
-135A	113T2272-12		..TRACK- (OPT ITEMS 135, 135B)	H,K,M ,R	1
-135B	113T2272-16		..TRACK- (OPT ITEMS 135, 135A)	H,K,M ,R	1
137	BACB30LJ4U21		.BOLT	F,H-M ,Q,R	2
139	AN960-416		.WASHER	F,H-M ,Q,R	2
141	AN960C416		.WASHER	F,H-M ,Q,R	2
143	BACB28AK04-037		.BUSHING	F,H-M ,Q,R	2
145	NAS1805-4		.NUT	F,H-M ,Q,R	2
147	S012T236-205		DELETED		
147A	SDR4-135A1-502		.LINK ASSY- (V77896)	F,H-M ,Q,R	2
149	MS24665-153		.PIN-COTTER	F,H-M ,Q,R	2
151	BACB30LJ5DU19		.BOLT	F,H-M ,Q,R	2
153	AN960-516		.WASHER	F,H-M ,Q,R	2
155	AN960C516		.WASHER	F,H-M ,Q,R	2
157	BACB28AK05-034		.BUSHING	F,H-M ,Q,R	2
159	BACN10JD5ASU		.NUT	F,H-M ,Q,R	2

# 57-53-27

 ILLUSTRATED PARTS LIST  
 01.101 Page 1050N  
 Mar 01/05


**BOEING**  
 COMPONENT  
 MAINTENANCE MANUAL

FIG. & ITEM	PART NO.	AIRLINE PART NUMBER	NOMENCLATURE 1234567	EFF CODE	QTY PER ASSY
06- 161	113T2401-5		.ROD ASSY-PUSH	F,H-M /Q,R	1
163	SM5-6C1-502		..BEARING- (V77896) (SPEC S012T236-7)	F,H-M /Q,R	2
165	NAS513-6		..WASHER	F,H-M /Q,R	2
167	NAS509-6C		..NUT	F,H-M /Q,R	2
169	113T2401-6		..TUBE ASSY	F,H-M /Q,R	1
171	113T2401-4		...INSERT	F,H-M /Q,R	2
175	113T2401-7		...TUBE	F,H-M /Q,R	1
177	113T2108-7		.BOLT	F,H-M /Q,R	2
179	113T2106-11		.WASHER	F,H-M /Q,R	2
181	BACW10BP7AP		.WASHER	F,H-M /Q,R	2
183	BACW10BP8ACU		.WASHER	F,H-M /Q,R	2
185	113T1256-34		.SEAL-BELLCRANK (OPT ITEM 185A)	F,H-M /Q,R	4
-185A	113T1256-50		.SEAL-BELLCRANK (OPT ITEM 185)	F,H-M /Q,R	4
187	113T2106-9		.NUT	F,H-M /Q,R	2

57-53-27

 ILLUSTRATED PARTS LIST  
 01.101 Page 10500  
 Mar 01/05

FIG. & ITEM	PART NO.	AIRLINE PART NUMBER	NOMENCLATURE 1234567	EFF CODE	QTY PER ASSY
06-189	113T2403-7		.BELLCRANK ASSY	F, J, L Q	2
-191	113T2403-8		.BELLCRANK ASSY	H, K, M R	2
193	BACB28AM06B018		..BUSHING	F, H-M Q, R	1
195	BACB28AP04P018		..BUSHING	F, H-M Q, R	1
197	BACB28AM07B016		..BUSHING	F, H-M Q, R	1
199	BACB28AP05P016		..BUSHING	F, H-M Q, R	1
201	113T2104-17		..BUSHING	F, H-M Q, R	2
203	113T2106-12		..WASHER	F, H-M Q, R	2
205	MS15001-1		..FITTING	F, H-M Q, R	2
207	113T2403-9		..BELLCRANK	F, J, L Q	1
-209	113T2403-10		..BELLCRANK	H, K, M R	1
211	113T2270-10		.FITTING ASSY-HINGE INBD	F, H-M Q, R	1
213	BACB30MR5K24		ATTACHING PARTS .BOLT	F, H-M Q, R	1
215	BACB30MR5K27		.BOLT	F, H-M Q, R	2
217	BACB30MR5K29		.BOLT	F, H-M Q, R	1
219	BACB30MR7K30		.BOLT	F, H-M Q, R	1
221	BACB30MR7K31		.BOLT	F, H-M Q, R	1
223	K29913-5		.WASHER- (V15653) (SPEC BACW10CA5CC) (OPT 70191-5 (V56878)) (OPT 922008-5 (V60119)) (OPT 942008-5 (V60119))	F, H-M Q, R	4

57-53-27

 ILLUSTRATED PARTS LIST  
 01.101 Page 1050P  
 Mar 01/05


**BOEING**  
 COMPONENT  
 MAINTENANCE MANUAL

FIG. & ITEM	PART NO.	AIRLINE PART NUMBER	NOMENCLATURE 1234567	EFF CODE	QTY PER ASSY
06-225	K29646-5		.WASHER- (V15653) (SPEC BACW10CA5CV) (OPT 70188-5 (V56878)) (OPT 922007-5 (V60119)) (OPT 942007-5 (V60119))	F,H-M ,Q,R	4
227	K29913-7		.WASHER- (V15653) (SPEC BACW10CA7CC) (OPT 70191-7 (V56878)) (OPT 922008-7 (V60119)) (OPT 942008-7 (V60119))	F,H-M ,Q,R	2
229	K29646-7		.WASHER- (V15653) (SPEC BACW10CA7CV) (OPT 70188-7 (V56878)) (OPT 922007-7 (V60119)) (OPT 942007-7 (V60119))	F,H-M ,Q,R	2
231	NAS1804-5		.NUT	F,H-M ,Q,R	4
233	NAS1804-7		.NUT	F,H-M ,Q,R	2
			-----*		
235	113T2104-13		..BUSHING	F,H-M ,Q,R	1
237	BACB28AM09B027A		..BUSHING	F,H-M ,Q,R	1
239	113T2270-7		..FILLER	F,H-M ,Q,R	1
241	113T2270-5		..PLATE-COVER LH	F,H-M ,Q,R	1

57-53-27

 ILLUSTRATED PARTS LIST  
 01.101 Page 1050Q  
 Mar 01/05

FIG. & ITEM	PART NO.	AIRLINE PART NUMBER	NOMENCLATURE 1234567	EFF CODE	QTY PER ASSY
06- -243	113T2270-6		..PLATE-COVER RH	F,H-M /Q,R	1
245	113T2270-9		..FITTING	F,H-M /Q,R	1
247	113T2289-4		.FILLER-RADIUS	F,H-M /Q,R	4
249	113T2289-5		.FILLER-RADIUS	F,H-M /Q,R	2
251	BACR15BA6AD		.RIVET- (SIZE DETERMINE ON INST)	F,H-M /Q,R	4
253	BACS40R08E15F		.SHIM	F,H-M /Q,R	AR
255	BACB30LE5U15		.BOLT	F,H-M /Q,R	1
257	BACW10BP5CD		.WASHER	F,H-M /Q,R	1
259	BACW10BP5APU		.WASHER	F,H-M /Q,R	1
261	BACB28AK05-020		.BUSHING- (SELECT FROM)	F,H-M /Q,R	AR
-261A	BACB28AK05-022		.BUSHING- (SELECT FROM)	F,H-M /Q,R	AR
-261B	BACB28AK05-025		.BUSHING- (SELECT FROM)	F,H-M /Q,R	AR

**57-53-27**

 ILLUSTRATED PARTS LIST  
 01.101 Page 1050R  
 Mar 01/05


**BOEING**  
 COMPONENT  
 MAINTENANCE MANUAL

FIG. & ITEM	PART NO.	AIRLINE PART NUMBER	NOMENCLATURE 1234567	EFF CODE	QTY PER ASSY
06-263	BMN5024CPD5		.NUT- (V08524) (SPEC BACN10HR5CS) (OPT 67832AS524 (V56878)) (OPT 67832AS524 (V56878)) (OPT BMN5024CPD3-5 (V97928)) (OPT BH00303-5 (V27238)) (OPT BMN5024CPD35 (V97928)) (OPT BH003035 (V27238)) (OPT BMN5024CPD35 (V97928)) (OPT CR59085 (V62554)) (OPT 109LH90315 (V72962)) (OPT 67832AS5 (V56878)) (OPT BMN10HRRCPD3-5 (V97928))	F,H-M ,Q,R	1
265	113T2278-1		.STRUT ASSY-SIDE	F,H-M ,Q,R	1
267	113T2280-1		..FITTING ASSY	F,H-M ,Q,R	2
269	BACB28AM07B008A		...BUSHING	F,H-M ,Q,R	1

57-53-27

 ILLUSTRATED PARTS LIST  
 01.101 Page 1050S  
 Mar 01/05

FIG. & ITEM	PART NO.	AIRLINE PART NUMBER	NOMENCLATURE 1234567	EFF CODE	QTY PER ASSY
06-271	BACB28AP05P008		...BUSHING	F,H-M /Q,R	1
273	113T2280-2		...FITTING	F,H-M /Q,R	1
275	NAS509-6		..NUT	F,H-M /Q,R	2
277	NAS513-6		..WASHER	F,H-M /Q,R	2
279	113T2278-2		..TUBE ASSY	F,H-M /Q,R	1
281	HL10VAZ5-12		...BOLT- (V60516) (SPEC BACB30MY5K12) (OPT B30MY5K12 (V97928))	F,H-M /Q,R	2
283	HL70-5		...COLLAR- (V5M902) (SPEC BACC30M5) (OPT HL70-5 (V73197)) (OPT HL70-5 (V92215)) (OPT 66014-5 (V56878)) (OPT HL70-5 (V56878))	F,H-M /Q,R	2
285	113T2280-4		...INSERT	F,H-M /Q,R	2
287	113T2280-3		...TUBE	F,H-M /Q,R	1
289	113T2271-29		.FITTING ASSY-HINGE OUTBD (MATCHED SET) (PRE SB 757-57-0025R1) (PRE SB 767-57A0076)	F	1
-289A	113T2271-33		.FITTING ASSY-HINGE OUTBD (MATCHED SET) (PRE SB 767-57A0076)	J,L,Q	1
-289B	113T2271-33		.FITTING ASSY-HINGE OUTBD (POST SB 757-57-0025R1) (PRE SB 767-57A0076)	F	1
-289C	BCREFA2593		.FITTING ASSY-HINGE OUTBD (POST SB 757-57-0025R1)	F	1
R -289D	113T2271-43		.FITTING ASSY-HINGE OUTBD (POST SB 767-57A0076)	F,J,L /Q	1

# 57-53-27

 ILLUSTRATED PARTS LIST  
 01.101 Page 1050T  
 Mar 01/05


**BOEING**  
 COMPONENT  
 MAINTENANCE MANUAL

FIG. & ITEM	PART NO.	AIRLINE PART NUMBER	NOMENCLATURE 1234567	EFF CODE	QTY PER ASSY
06- -291	113T2271-30		.FITTING ASSY-HINGE OUTBD (MATCHED SET) (PRE SB 757-57-0025R1) (PRE SB 767-57A0076)	H	1
-291A	113T2271-34		.FITTING ASSY-HINGE OUTBD (MATCHED SET) (PRE SB 767-57A0076)	K,M,R	1
-291B	113T2271-34		.FITTING ASSY-HINGE OUTBD (POST SB 757-57-0025R1) (PRE SB 767-57A0076)	H	1
-291C	BCREFA2594		.FITTING ASSY-HINGE OUTBD (POST SB 757-57-0025R1) (PRE SB 767-57A0076)	H	1
R -291D	113T2271-44		.FITTING ASSY-HINGE OUTBD (POST SB 767-57A0076) ATTACHING PARTS	H,K,M ,R	1
293	BACB30MR5K20		.BOLT	F,H-M ,Q,R	2
295	BACB30MR5K19		.BOLT	F,H-M ,Q,R	2
297	BACW10BP5CD		.WASHER	F,H-M ,Q,R	4
299	BACW10BP5DP		.WASHER	F,H-M ,Q,R	4
301	NAS1804-5		.NUT	F,H-M ,Q,R	4
303	113T2271-15		-----*----- ..FITTING ASSY- (USED ON ITEMS 289, 289A, 289B)	F,J,L ,Q	1
-303A	BCREFA2595		..FITTING ASSY- (USED ON ITEM 289C)	F	1
R -303B	113T2271-39		..FITTING ASSY- (USED ON ITEM 289D)	F,J,L ,Q	1
-305	113T2271-16		..FITTING ASSY- (USED ON ITEMS 291, 291A, 291B)	H,K,M ,R	1
-305A	BCREFA2596		..FITTING ASSY- (USED ON ITEM 291C)	H	1
R -305B	113T2271-40		..FITTING ASSY- (USED ON ITEM 291D)	H,K,M ,R	1

57-53-27

 ILLUSTRATED PARTS LIST  
 01.101 Page 1050U  
 Mar 01/05



FIG. & ITEM	PART NO.	AIRLINE PART NUMBER	NOMENCLATURE 1234567	EFF CODE	QTY PER ASSY
06-307	113T2271-25		..FITTING ASSY- (USED ON ITEMS 289, 289A, 289B)	F,J,L ,Q	1
-307A	BCREFA2595		..FITTING ASSY- (USED ON ITEM 289C)	F	1
R -307B	113T2271-41		..FITTING ASSY- (USED ON ITEM 289D)	F,J,L ,Q	1
-309	113T2271-26		..FITTING ASSY- (USED ON ITEMS 291, 291A, 291B)	H,K,M ,R	1
-309A	BCREFA2596		..FITTING ASSY- (USED ON ITEM 291C)	H	1
R -309B	113T2271-42		..FITTING ASSY- (USED ON ITEM 291D)	H,K,M ,R	1
311	BACB28AM09B036A		...BUSHING- (USED ON ITEMS 303, 305)	F,H-M ,Q,R	1
313	113T2104-21		...BUSHING- (USED ON ITEMS 307, 309)	F,H-M ,Q,R	1
315	ADW05V301NC		...BEARING- (V15860) (SPEC BACB10FA05GC) (OPT SWKRS05-350SC (V81376)) (OPT KSC152200BZ05GC (V50632)) (OPT KWDB05-35 (V97613)) (OPT WES05FAGC (V73134)) (OPT WHTFA05VC (VS0352)) (USED ON ITEMS 307, 309)	F,H-M ,Q,R	1

57-53-27

 ILLUSTRATED PARTS LIST  
 01.101 Page 1050V  
 Mar 01/05


**BOEING**  
 COMPONENT  
 MAINTENANCE MANUAL

FIG. & ITEM	PART NO.	AIRLINE PART NUMBER	NOMENCLATURE 1234567	EFF CODE	QTY PER ASSY
06-317	113T2104-9		...BUSHING	F,H-M /Q,R	1
319	113T2104-8		...BUSHING	F,H-M /Q,R	1
321	113T2106-14		...WASHER-SPECIAL	F,H-M /Q,R	1
323	113T2106-13		...WASHER-SPECIAL	F,H-M /Q,R	1
-324	BCREFA2597		...PLATE-INDEX	F,H	1
-324G	HL10VAZ6-3		...BOLT- (V60516) (SPEC BACB30MY6K3) (OPT B30MY6K3 (V97928))	F,H	2
-324K	HL79-6		...COLLAR- (V5M902) (SPEC BACC30M6) (OPT HL79-6 (V73197)) (OPT HL79-6 (V92215)) (OPT 66014-6 (V56878)) (OPT HL79-6 (V56878))	F,H	2
325	113T2271-17		...FITTING- (USED ON ITEM 303)	F,J,L /Q	1
-325A	BCREFA2598		...FITTING- (USED ON ITEM 303A)	F	1
R -325B	113T2271-35		...FITTING- (USED ON ITEM 303B)	F,J,L /Q	1

57-53-27

 ILLUSTRATED PARTS LIST  
 01.101 Page 1050W  
 Mar 01/05

FIG. & ITEM	PART NO.	AIRLINE PART NUMBER	NOMENCLATURE 1234567	EFF CODE	QTY PER ASSY
06-					
-327	113T2271-18		...FITTING- (USED ON ITEM 305)	H,K,M R	1
-327A	BCREFA2599		...FITTING- (USED ON ITEM 305A)	H	1
R -327B	113T2271-36		...FITTING- (USED ON ITEM 305B)	H,K,M R	1
329	113T2271-27		...FITTING- (USED ON ITEM 307)	F,J,L Q	1
-329A	BCREFA2598		...FITTING- (USED ON ITEM 307A)	F	1
R -329B	113T2271-37		...FITTING- (USED ON ITEM 307B)	F,J,L Q	1
-331	113T2271-28		...FITTING- (USED ON ITEM 309)	H,K,M R	1
-331A	BCREFA2599		...FITTING- (USED ON ITEM 309A)	H	1
R -331B	113T2271-38		...FITTING- (USED ON ITEM 309B)	H,K,M R	1
333	BACS40R15D17F		.SHIM	F,H-M Q,R	2
335	BACS40R15D15F		.SHIM	F,H-M Q,R	2
337	BACB30NT3K6		.BOLT	F,H-M Q,R	4
339	HL10VAZ6-5		.BOLT- (V60516) (SPEC BACB30MY6K5) (OPT B30MY6K5 (V97928))	F,H-M Q,R	5

# 57-53-27

 ILLUSTRATED PARTS LIST  
 01.101 Page 1050X  
 Mar 01/05


**BOEING**  
 COMPONENT  
 MAINTENANCE MANUAL

FIG. & ITEM	PART NO.	AIRLINE PART NUMBER	NOMENCLATURE 1234567	EFF CODE	QTY PER ASSY
06-341	AN960JD10L		.WASHER	F,H-M Q,R	4
343	HL79-6		.COLLAR- (V5M902) (SPEC BACC30M6) (OPT HL79-6 (V73197)) (OPT HL79-6 (V92215)) (OPT 66014-6 (V56878)) (OPT HL79-6 (V56878))	F,H-M Q,R	5
345	113T2112-3		.STIFFENER	F,J,L Q	1
347	113T2112-4		.STIFFENER	H,K,M R	1
-349	113T2290-3		.RIB INSTL-OUTBD	F,J,L Q	1
-351	113T2290-4		.RIB INSTL-OUTBD	H,K,M R	1
-353	113T2290-5001		..RIB INSTL-AFT (REPLD BY ITEM 353A)	F,J,L Q	1
-353A	113T2290-5003		..RIB INSTL-AFT (REPLS ITEM 353)	F,J,L Q	1
-355	113T2290-5002		..RIB INSTL-AFT (REPLD BY ITEM 355A)	H,K,M R	1
-355A	113T2290-5004		..RIB INSTL-AFT (REPLS ITEM 355)	H,K,M R	1
357	BACR15FT6KE		...RIVET- (SIZE DETERMINE ON INST)	F,H-M Q,R	9
359	113T2321-1		...SHIM	F,H-M Q,R	1
361	113T2275-1		...FITTING ASSY-TRACK SPRT (USED ON ITEM 353)	F,J,L Q	1
-361A	113T2275-7		...FITTING ASSY-TRACK SPRT (USED ON ITEM 353A)	F,J,L Q	1
-363	113T2275-2		...FITTING ASSY-TRACK SPRT (USED ON ITEM 355)	H,K,M R	1

57-53-27

 ILLUSTRATED PARTS LIST  
 01.101 Page 1050Y  
 Mar 01/05

FIG. & ITEM	PART NO.	AIRLINE PART NUMBER	NOMENCLATURE 1234567	EFF CODE	QTY PER ASSY
06- -363A	113T2275-8		...FITTING ASSY-TRACK SPRT (USED ON ITEM 355A) ATTACHING PARTS	H,K,M ,R	1
365	HL11VAZ8-8		...BOLT- (V56878) (SPEC BACB30NW8K8) (OPT B30NW8K8 (V97928)) (OPT HL11VAZ8-8 (V73197)) (OPT HL11VAZ8-8 (V92215)) (OPT HL11VAZ8-8 (V97928)) (OPT L803-8K8 (V06725)) (OPT HL11VAZ8-8 (V0PTK6)) (OPT HL11VAZ8-8 (V60516))	F,H-M ,Q,R	1
367	HL11VAZ6-5		...BOLT- (V60516) (SPEC BACB30NW6K5) (OPT HL11V6-5 (V92215)) (OPT HL11V6-5 (V97928)) (OPT L803-6-5 (V06725)) (OPT B30NW6K5 (V97928)) (OPT HL11VAZ6-5 (V73197)) (OPT HL11VAZ6-5 (V92215)) (OPT HL11VAZ6-5 (V56878))	F,H-M ,Q,R	1
369	BACB30NN4K9		...BOLT	F,H-M ,Q,R	1
371	BACB30NN3K6		...BOLT	F,H-M ,Q,R	1

57-53-27

 ILLUSTRATED PARTS LIST  
 01.101 Page 1050Z  
 Mar 01/05


**BOEING**  
 COMPONENT  
 MAINTENANCE MANUAL

FIG. & ITEM	PART NO.	AIRLINE PART NUMBER	NOMENCLATURE 1234567	EFF CODE	QTY PER ASSY
06-373	HL79-6		...COLLAR- (V5M902) (SPEC BACC30M6) (OPT HL79-6 (V73197)) (OPT HL79-6 (V92215)) (OPT 66014-6 (V56878)) (OPT HL79-6 (V56878))	F,H-M ,Q,R	1
375	HL79-8		...COLLAR- (V5M902) (SPEC BACC30M8) (OPT HL79-8 (V73197)) (OPT HL79-8 (V92215)) (OPT 66014-8 (V56878)) (OPT HL79-8 (V56878)) -----*	F,H-M ,Q,R	1
377	113T2104-4		....BUSHING	F,H-M ,Q,R	1
379	113T2104-6		....BUSHING	F,H-M ,Q,R	1
381	113T2104-2		....BUSHING	F,H-M ,Q,R	1
383	BACB28AP09P038		....BUSHING	F,H-M ,Q,R	1
385	113T2275-3		....FITTING- (USED ON ITEM 361)	F,J,L ,Q	1
-385A	113T2275-9		....FITTING- (USED ON ITEM 361A)	F,J,L ,Q	1
-387	113T2275-4		....FITTING- (USED ON ITEM 363)	H,K,M ,R	1
-387A	113T2275-10		....FITTING- (USED ON ITEM 363A)	H,K,M ,R	1
388	BACS40R10C10F		...SHIM	F,H-M ,Q,R	2

57-53-27

 ILLUSTRATED PARTS LIST  
 01.101 Page 1051  
 Mar 01/05

FIG. & ITEM	PART NO.	AIRLINE PART NUMBER	NOMENCLATURE 1234567	EFF CODE	QTY PER ASSY
06-389	HL11VAZ6-3		...BOLT- (V60516) (SPEC BACB30NW6K3) (OPT B30NW6K3 (V97928)) (OPT HL11VAZ6-3 (V73197)) (OPT HL11VAZ6-3 (V92215)) (OPT HL11VAZ6-3 (V97928)) (OPT L803-6K3 (V06725)) (OPT HL11VAZ6-3 (VOPTK6)) (OPT HL11VAZ6-3 (V56878))	F,H-M ,Q,R	2
391	HL11VAZ8-9		...BOLT- (V56878) (SPEC BACB30NW8K9) (OPT B30NW8K9 (V97928)) (OPT HL11VAZ8-9 (V73197)) (OPT HL11VAZ8-9 (V92215)) (OPT HL11VAZ8-9 (V97928)) (OPT L803-8K9 (V06725)) (OPT HL11VAZ8-9 (VOPTK6)) (OPT HL11VAZ8-9 (V60516))	F,H-M ,Q,R	1
393	BACB30NN3K6		...BOLT	F,H-M ,Q,R	7
395	BACB30NN4K9		...BOLT	F,H-M ,Q,R	1
397	BACR15CE6KE		...RIVET- (SIZE DETERMINE ON INST)	F,H-M ,Q,R	8
399	BACR15FT6KE		...RIVET- (SIZE DETERMINE ON INST)	F,H-M ,Q,R	7

# 57-53-27

 ILLUSTRATED PARTS LIST  
 01.101 Page 1052  
 Mar 01/05


**BOEING**  
 COMPONENT  
 MAINTENANCE MANUAL

FIG. & ITEM	PART NO.	AIRLINE PART NUMBER	NOMENCLATURE 1234567	EFF CODE	QTY PER ASSY
06-401	K29913-104		...WASHER- (V15653) (SPEC BACW10CA104CC) (OPT 70191-104 (V56878)) (OPT 922008-4 (V60119)) (OPT 942008-4 (V60119))	F,H-M ,Q,R	1
403	K29646-104		...WASHER- (V15653) (SPEC BACW10CA104CV) (OPT 70188-104 (V56878)) (OPT 922007-4 (V60119)) (OPT 942007-4 (V60119))	F,H-M ,Q,R	1
405	BACS40R10B100F		...SHIM	F,H-M ,Q,R	1
407	BACS40R10C100F		...SHIM	F,H-M ,Q,R	1
409	BACS40R30D10F		...SHIM	F,H-M ,Q,R	1
411	HL79-6		...COLLAR- (V5M902) (SPEC BACC30M6) (OPT HL79-6 (V73197)) (OPT HL79-6 (V92215)) (OPT 66014-6 (V56878)) (OPT HL79-6 (V56878))	F,H-M ,Q,R	2

57-53-27

 ILLUSTRATED PARTS LIST  
 01.101 Page 1052A  
 Mar 01/05



FIG. & ITEM	PART NO.	AIRLINE PART NUMBER	NOMENCLATURE 1234567	EFF CODE	QTY PER ASSY
06-413	HL79-8		...COLLAR- (V5M902) (SPEC BACC30M8) (OPT HL79-8 (V73197)) (OPT HL79-8 (V92215)) (OPT 66014-8 (V56878)) (OPT HL79-8 (V56878))	F,H-M ,Q,R	1
415	BACR15BA3AD		...RIVET- (SIZE DETERMINE ON INST)	F,H-M ,Q,R	20
417	NS103194-02-3		...NUTPLATE- (V80539) (SPEC BACN10KE3E3) (OPT F51752-3-3 (V15653)) (OPT RMF9216-3-3 (V72962)) (OPT BRFR120A3-3 (V52828))	F,H-M ,Q,R	2
419	NS103191-02-2		...NUTPLATE- (V80539) (SPEC BACN10KE3B2) (OPT F51750-3-2 (V15653)) (OPT RMF9213-2-3 (V72962)) (OPT BRFR220A3-2 (V52825))	F,H-M ,Q,R	1

# 57-53-27

 ILLUSTRATED PARTS LIST  
 01.101 Page 1052B  
 Mar 01/05


**BOEING**  
 COMPONENT  
 MAINTENANCE MANUAL

FIG. & ITEM	PART NO.	AIRLINE PART NUMBER	NOMENCLATURE 1234567	EFF CODE	QTY PER ASSY
06-421	NS103191-02-3		...NUTPLATE- (V80539) (SPEC BACN10KE3B3) (OPT F51750-3-3 (V15653)) (OPT RMF9213-3-3 (V72962)) (OPT BRFR220A3-3 (V52828))	F,H-M ,Q,R	5
423	BACN10JQ42		...NUTPLATE	F,H-M ,Q,R	2
425	113T2273-7		.SUPPORT ASSY-BELCRK	F,H-M ,Q,R	1
427	113T2273-8		.SUPPORT ASSY-BELCRK	F,H-M ,Q,R	1
429	BACB30NM4K10		ATTACHING PARTS .BOLT	F,H-M ,Q,R	8
431	AN960JD416		.WASHER	F,H-M ,Q,R	8
433	NAS1804-4		.NUT	F,H-M ,Q,R	8
			-----*		
435	113T2104-7		..BUSHING	F,H-M ,Q,R	1
437	113T2104-7		..BUSHING- (USED ON ITEM 425)	F,H-M ,Q,R	1
-437A	113T2104-7		..BUSHING- (USED ON ITEM 427)	F,H-M ,Q,R	1
439	BACB28AP10P018		..BUSHING	F,H-M ,Q,R	2
441	113T2273-9		..SUPPORT- (USED ON ITEM 425)	F,H-M ,Q,R	1
443	113T2273-10		..SUPPORT- (USED ON ITEM 427)	F,H-M ,Q,R	1
445	113T2274-9		.FITTING ASSY-TRACK SPRT	F,J,L ,Q	1
-447	113T2274-10		.FITTING ASSY-TRACK SPRT	H,K,M ,R	1
449	BACR15CE6AD		ATTACHING PARTS .RIVET- (SIZE DETERMINE ON INST)	F,H-M ,Q,R	4

57-53-27

 ILLUSTRATED PARTS LIST  
 01.101 Page 1052C  
 Mar 01/05

FIG. & ITEM	PART NO.	AIRLINE PART NUMBER	NOMENCLATURE 1234567	EFF CODE	QTY PER ASSY
06-451	HL11VAZ6-6		.BOLT- (V60516) (SPEC BACB30NW6K6) (OPT B30NW6K6 (V97928)) (OPT HL11VAZ6-6 (V73197)) (OPT HL11VAZ6-6 (V92215)) (OPT HL11VAZ6-6 (V97928)) (OPT L803-6K6 (V06725)) (OPT HL11VAZ6-6 (VOPTK6)) (OPT HL11VAZ6-6 (V56878))	F,H-M ,Q,R	2
453	L8006K6		.BOLT- (V06725) (SPEC BACB30MY6K6) (OPT HL10VAZ6-6 (VOPTK6))	F,H-M ,Q,R	10
455	HL11VAZ6-7		.BOLT- (V60516) (SPEC BACB30NW6K7) (OPT HL11V6-7 (V92215)) (OPT HL11V6-7 (V97928)) (OPT L803-6-7 (V06725)) (OPT B30NW6K7 (V97928)) (OPT HL11VAZ6-7 (V73197)) (OPT HL11VAZ6-7 (V92215)) (OPT HL11VAZ6-7 (V56878))	F,H-M ,Q,R	2

# 57-53-27

 ILLUSTRATED PARTS LIST  
 01.101 Page 1052D  
 Mar 01/05


**BOEING**  
 COMPONENT  
 MAINTENANCE MANUAL

FIG. & ITEM	PART NO.	AIRLINE PART NUMBER	NOMENCLATURE 1234567	EFF CODE	QTY PER ASSY
06-457	HL79-6		.COLLAR- (V5M902) (SPEC BACC30M6) (OPT HL79-6 (V73197)) (OPT HL79-6 (V92215)) (OPT 66014-6 (V56878)) (OPT HL79-6 (V56878)) -----*-----	F,H-M ,Q,R	14
459	113T2104-2		..BUSHING	F,H-M ,Q,R	1
461	113T2104-4		..BUSHING	F,H-M ,Q,R	1
463	113T2104-6		..BUSHING	F,H-M ,Q,R	1
465	BACB28AP09P038		..BUSHING	F,H-M ,Q,R	1
467	113T2274-7		..FITTING	F,J,L ,Q	1
-469	113T2274-8		..FITTING	H,K,M ,R	1
471	BACS40R24C20F		.SHIM	F,H-M ,Q,R	1
473	BACS40R10C22F		.SHIM	F,H-M ,Q,R	2
-475	113T2224-21		.SPAR INSTL-REAR (LIMITED) (FOR DETAILS SEE FIG. 4)	L	1

57-53-27

 ILLUSTRATED PARTS LIST  
 01.101 Page 1052E  
 Mar 01/05

FIG. & ITEM	PART NO.	AIRLINE PART NUMBER	NOMENCLATURE 1234567	EFF CODE	QTY PER ASSY
06- -475A	113T2224-25		.SPAR INSTL-REAR (LIMITED) (FOR DETAILS SEE FIG. 4)	L	1
-475B	113T2224-25		.SPAR INSTL-REAR (FOR DETAILS SEE FIG. 4)	J	1
-475C	113T2224-21		.SPAR INSTL-REAR (FOR DETAILS SEE FIG. 4)	F,Q	1
-477	113T2224-22		.SPAR INSTL-REAR (LIMITED) (FOR DETAILS SEE FIG. 4)	M	1
-477A	113T2224-26		.SPAR INSTL-REAR (LIMITED) (FOR DETAILS SEE FIG. 4)	M	1
-477B	113T2224-26		.SPAR INSTL-REAR (FOR DETAILS SEE FIG. 4)	K	1
-477C	113T2224-22		.SPAR INSTL-REAR (FOR DETAILS SEE FIG. 4)	H,R	1
-479	113T2260-9		.PANEL INSTL-COVE UPR	F,J,L Q	1
-481	113T2260-10		.PANEL INSTL-COVE UPR	H,K,M R	1
483	113T2261-69		..PANEL ASSY	F,J,L Q	1
-485	113T2261-70		..PANEL ASSY	H,K,M R	1
487	113T2261-31		...PHENOLIC STRIP	F,H-M Q,R	1
489	113T2261-32		...PHENOLIC STRIP	F,H-M Q,R	1

57-53-27

 ILLUSTRATED PARTS LIST  
 01.101 Page 1052F  
 Mar 01/05


**BOEING**  
 COMPONENT  
 MAINTENANCE MANUAL

FIG. & ITEM	PART NO.	AIRLINE PART NUMBER	NOMENCLATURE 1234567	EFF CODE	QTY PER ASSY
06-491	113T2261-33		...PHENOLIC STRIP	F,H-M /Q,R	1
493	113T2261-71		...BOND ASSY-PNL	F,J,L /Q	1
-495	113T2261-72		...BOND ASSY-PNL	H,K,M /R	1
497	113T2261-36		....WASHER	F,H-M /Q,R	12
499	BACB30NR4K8		..BOLT	F,H-M /Q,R	2
501	AN960PD416		..WASHER	F,H-M /Q,R	4
503	BRH10A4		..NUT- (V52828) (SPEC BACN10JC4) (OPT T6S428J (V11815)) (OPT 96-048 (V80539)) (OPT VN303A048 (V92215)) (OPT RMLH9075-4W (V72962)) (OPT NS202101-048 (V80539)) (OPT H10-4BAC (V15653))	F,H-M /Q,R	2
505	BACS40R08C08F		..SHIM	F,H-M /Q,R	2
507	113T2264-1		..STRUT	F,H-M /Q,R	1
509	113T2264-3		..STRUT	F,H-M /Q,R	1

57-53-27

 ILLUSTRATED PARTS LIST  
 01.101 Page 1052G  
 Mar 01/05

FIG. & ITEM	PART NO.	AIRLINE PART NUMBER	NOMENCLATURE 1234567	EFF CODE	QTY PER ASSY
06-511	BACB30NR4K6		..BOLT	F,H-M /Q,R	10
513	AN96OPD416		..WASHER	F,H-M /Q,R	20
515	BRH10A4		..NUT- (V52828) (SPEC BACN10JC4) (OPT T6S428J (V11815)) (OPT 96-048 (V80539)) (OPT VN303A048 (V92215)) (OPT RMLH9075-4W (V72962)) (OPT NS202101-048 (V80539)) (OPT H10-4BAC (V15653))	F,H-M /Q,R	10
517	113T2264-3		..STRUT	F,H-M /Q,R	10
519	BACB30NN4K16		..BOLT	F,H-M /Q,R	12
521	AN96OPD416		..WASHER	F,H-M /Q,R	12
523	BRH10A4		..NUT- (V52828) (SPEC BACN10JC4) (OPT T6S428J (V11815)) (OPT 96-048 (V80539)) (OPT VN303A048 (V92215)) (OPT RMLH9075-4W (V72962)) (OPT NS202101-048 (V80539)) (OPT H10-4BAC (V15653))	F,H-M /Q,R	12

57-53-27

 ILLUSTRATED PARTS LIST  
 01.101 Page 1052H  
 Mar 01/05


**BOEING**  
 COMPONENT  
 MAINTENANCE MANUAL

FIG. & ITEM	PART NO.	AIRLINE PART NUMBER	NOMENCLATURE 1234567	EFF CODE	QTY PER ASSY
06-525	BACS40R10C10F		..SHIM	F,H-M /Q,R	12
-527	113T2260-7		.PANEL INSTL-COVE LWR	F,J,L /Q	1
-529	113T2260-8		.PANEL INSTL-COVE LWR	H,K,M /R	1
531	113T2261-63		..PANEL ASSY-OUTBD	F,J,L /Q	1
-533	113T2261-64		..PANEL ASSY-OUTBD	H,K,M /R	1
535	BACB30NN3K6		...BOLT	F,H-M /Q,R	42
537	BACB30NN3K4		...BOLT	F,H-M /Q,R	34
539	AN960-10L		...WASHER	F,H-M /Q,R	34
541	H10-3BAC		...NUT- (V15653) (SPEC BACN10JC3) (OPT NS202101-02 (V80539)) (OPT RMLH9075-3W (V72962)) (OPT T6S1032J (V71087)) (OPT VN303A02 (V92215)) (OPT 96-02 (V80539)) (OPT BRH10A3 (V52828))	F,H-M /Q,R	34

57-53-27

 ILLUSTRATED PARTS LIST  
 01.101 Page 1052I  
 Mar 01/05



FIG. & ITEM	PART NO.	AIRLINE PART NUMBER	NOMENCLATURE 1234567	EFF CODE	QTY PER ASSY
06-543	113T2261-39		...RETAINER-SEAL	F, J, L /Q	1
-545	113T2261-40		...RETAINER-SEAL	H, K, M /R	1
547	113T2261-19		...RETAINER-SEAL	F, H-M /Q, R	2
549	113T2261-11		...RETAINER-SEAL	F, J, L /Q	1
551	113T2261-12		...RETAINER-SEAL	H, K, M /R	1
553	113T2261-13		...RETAINER ASSY-NUTPLATE	F, H-M /Q, R	1
555	BACR15CE3AD		....RIVET- (SIZE DETERMINE ON INST)	F, H-M /Q, R	28
557	F5000-3BAC		....NUTPLATE- (V15653) (SPEC BACN10JR3F) (OPT NS103203-02 (V80539)) (OPT RMF9201-3 (V72962)) (OPT T8091S1032 (V11815)) (OPT VN152A1-02 (V92215)) (OPT BRF200A3 (V52828)) (SIZE DETERMINE ON INST)	F, H-M /Q, R	14
559	113T2261-21		....STRAP	F, H-M /Q, R	1

**57-53-27**

 ILLUSTRATED PARTS LIST  
 01.101 Page 1052J  
 Mar 01/05


**BOEING**  
 COMPONENT  
 MAINTENANCE MANUAL

FIG. & ITEM	PART NO.	AIRLINE PART NUMBER	NOMENCLATURE 1234567	EFF CODE	QTY PER ASSY
06-561	113T2261-65		...RETAINER ASSY-NUTPLATE	F,J,L /Q	1
-563	113T2261-66		...RETAINER ASSY-NUTPLATE	H,K,M /R	1
565	BACR15CE3AD		....RIVET- (SIZE DETERMINE ON INST)	F,H-M /Q,R	54
567	F5000-3BAC		....NUTPLATE- (V15653) (SPEC BACN10JR3F) (OPT NS103203-02 (V80539)) (OPT RMF9201-3 (V72962)) (OPT T8091S1032 (V11815)) (OPT VN152A1-02 (V92215)) (OPT BRF200A3 (V52828))	F,H-M /Q,R	27
569	113T2261-23		....STRAP	F,H-M /Q,R	1
571	113T2261-67		...RETAINER ASSY-NUTPLATE	F,J,L /Q	1
-573	113T2261-68		...RETAINER ASSY-NUTPLATE	H,K,M /R	1
575	BACR15CE3AD		....RIVET- (SIZE DETERMINE ON INST)	F,H-M /Q,R	2
577	F5000-3BAC		....NUTPLATE- (V15653) (SPEC BACN10JR3F) (OPT NS103203-02 (V80539)) (OPT RMF9201-3 (V72962)) (OPT T8091S1032 (V11815)) (OPT VN152A1-02 (V92215)) (OPT BRF200A3 (V52828))	F,H-M /Q,R	1

57-53-27

 ILLUSTRATED PARTS LIST  
 01.101 Page 1052K  
 Mar 01/05

FIG. & ITEM	PART NO.	AIRLINE PART NUMBER	NOMENCLATURE 1234567	EFF CODE	QTY PER ASSY
06-579	113T2261-23		....STRAP	F,H-M /Q,R	1
581	113T2261-45		...SEAL- (MFD FROM EXTRUSION RUBBER F25.01 10-60754-130 24.30 IN)	F,H-M /Q,R	1
583	113T2261-49		...SEAL- (MFD FROM EXTRUSION RUBBER F25.01 10-60754-83 8.00 IN)	F,H-M /Q,R	2
585	113T2261-46		...SEAL- (MFD FROM EXTRUSION RUBBER F25.01 10-60754-130 65.00 IN)	F,H-M /Q,R	1
587	113T2261-47		...SEAL- (MFD FROM EXTRUSION RUBBER F25.01 10-60754-130 11.20 IN)	F,J,L /Q	1
-589	113T2261-48		...SEAL- (MFD FROM EXTRUSION RUBBER F25.01 10-60754-130 11.00 IN)	H,K,M /R	1
590	113T2261-91		...FILLER-AERODYNAMIC	F,J,L /Q	1
-590J	113T2261-92		...FILLER-AERODYNAMIC	H,K,M /R	1
591	113T2261-5		...PANEL-BOND ASSY	F,J,L /Q	1
-593	113T2261-6		...PANEL-BOND ASSY	H,K,M /R	1
595	113T2261-3		..PANEL ASSY-INBD	F,J,L /Q	1
-597	113T2261-4		..PANEL ASSY-INBD	H,K,M /R	1
599	113T2261-5007		...PANEL ASSY- (REPLD BY ITEM 599A)	F,J,L /Q	1

# 57-53-27

 ILLUSTRATED PARTS LIST  
 01.101 Page 1052L  
 Mar 01/05


**BOEING**  
 COMPONENT  
 MAINTENANCE MANUAL

FIG. & ITEM	PART NO.	AIRLINE PART NUMBER	NOMENCLATURE 1234567	EFF CODE	QTY PER ASSY
06- -599A	113T2261-5005		...PANEL ASSY- (REPLS ITEM 599)	F,J,L ,Q	1
-601	113T2261-5008		...PANEL ASSY- (REPLD BY ITEM 601A)	H,K,M ,R	1
-601A	113T2261-5006		...PANEL ASSY- (REPLS ITEM 601)	H,K,M ,R	1
603	BACB30NN3K6		....BOLT	F,H-M ,Q,R	46
605	113T2261-41		....RETAINER-SEAL (OPT ITEM 605A) (USED ON ITEM 599)	F,J,L ,Q	1
-605A	113T2261-57		....RETAINER-SEAL (OPT ITEM 605) (USED ON ITEM 599)	F,J,L ,Q	1
-605B	113T2261-41		....RETAINER-SEAL (USED ON ITEM 599A)	F,J,L ,Q	1
-607	113T2261-42		....RETAINER-SEAL (OPT ITEM 607A) (USED ON ITEM 601)	H,K,M ,R	1
-607A	113T2261-58		....RETAINER-SEAL (OPT ITEM 607) (USED ON ITEM 601)	H,K,M ,R	1
-607B	113T2261-42		....RETAINER-SEAL (USED ON ITEM 601A)	H,K,M ,R	1
609	113T2261-50		....RETAINER-SEAL	F,J,L ,Q	1
-611	113T2261-44		....RETAINER-SEAL	H,K,M ,R	1
613	113T2261-17		....RETAINER-SEAL	F,J,L ,Q	1
-615	113T2261-18		....RETAINER-SEAL	H,K,M ,R	1
617	113T2261-14		....RETAINER ASSY-NUTPLATE	F,H-M ,Q,R	1
619	BACR15CE3AD		.....RIVET- (SIZE DETERMINE ON INST)	F,H-M ,Q,R	32

57-53-27

 ILLUSTRATED PARTS LIST  
 01.101 Page 1052M  
 Mar 01/05

FIG. & ITEM	PART NO.	AIRLINE PART NUMBER	NOMENCLATURE 1234567	EFF CODE	QTY PER ASSY
06-621	F5000-3BAC		.....NUTPLATE- (V15653) (SPEC BACN10JR3F) (OPT NS103203-02 (V80539)) (OPT RMF9201-3 (V72962)) (OPT T8091S1032 (V11815)) (OPT VN152A1-02 (V92215)) (OPT BRF200A3 (V52828))	F,H-M ,Q,R	16
623	113T2261-22		.....STRAP	F,H-M ,Q,R	1
625	113T2261-51		....RETAINER ASSY-NUTPLATE	F,H-M ,Q,R	1
627	BACR15CE3AD		.....RIVET- (SIZE DETERMINE ON INST)	F,H-M ,Q,R	60
629	F5000-3BAC		.....NUTPLATE- (V15653) (SPEC BACN10JR3F) (OPT NS103203-02 (V80539)) (OPT RMF9201-3 (V72962)) (OPT T8091S1032 (V11815)) (OPT VN152A1-02 (V92215)) (OPT BRF200A3 (V52828))	F,H-M ,Q,R	30

# 57-53-27

 ILLUSTRATED PARTS LIST  
 01.101 Page 1052N  
 Mar 01/05


**BOEING**  
 COMPONENT  
 MAINTENANCE MANUAL

FIG. & ITEM	PART NO.	AIRLINE PART NUMBER	NOMENCLATURE 1234567	EFF CODE	QTY PER ASSY
06-631	113T2261-52		.....STRAP	F,H-M /Q,R	1
633	113T2261-15		....SEAL-INBD (MFD FROM EXTRUSION RUBBER F25.01 10-60754-130 71.40 IN.)	F,J,L /Q	1
-635	113T2261-16		....SEAL-INBD (MFD FROM EXTRUSION RUBBER F25.01 10-60754-130 71.40 IN.)	H,K,M /R	1
637	113T2261-7		....PANEL	F,J,L /Q	1
-639	113T2261-8		....PANEL	H,K,M /R	1
641	HL11VAZ6-6		..BOLT- (V60516) (SPEC BACB30NW6K6) (OPT B30NW6K6 (V97928)) (OPT HL11VAZ6-6 (V73197)) (OPT HL11VAZ6-6 (V92215)) (OPT HL11VAZ6-6 (V97928)) (OPT L803-6K6 (V06725)) (OPT HL11VAZ6-6 (V0PTK6)) (OPT HL11VAZ6-6 (V56878))	F,H-M /Q,R	20

57-53-27

 ILLUSTRATED PARTS LIST  
 01.101 Page 10520  
 Mar 01/05

FIG. & ITEM	PART NO.	AIRLINE PART NUMBER	NOMENCLATURE 1234567	EFF CODE	QTY PER ASSY
06-643	HL10VAZ6-5		..BOLT- (V60516) (SPEC BACB30MY6K5) (OPT B30MY6K5 (V97928))	F,H-M ,Q,R	20
645	HL79-6		..COLLAR- (V5M902) (SPEC BACC30M6) (OPT HL79-6 (V73197)) (OPT HL79-6 (V92215)) (OPT 66014-6 (V56878)) (OPT HL79-6 (V56878))	F,H-M ,Q,R	40
647	HL79-6		DELETED		
649	113T2263-7		..FITTING	F,H-M ,Q,R	10
651	BACR15BA6AD		..RIVET- (SIZE DETERMINE ON INST)	F,H-M ,Q,R	5
653	113T2265-2		..FILLER-TAPERED	F,J,L ,Q	1
-655	113T2265-1		..FILLER-TAPERED	H,K,M ,R	1
657	BACR15BA6AD		..RIVET- (SIZE DETERMINE ON INST)	F,H-M ,Q,R	24
659	BACR15FT5KE		..RIVET- (SIZE DETERMINE ON INST)	F,H-M ,Q,R	24
661	113T2266-1		..BRACKET	F,J,L ,Q	12
-663	113T2266-2		..BRACKET	H,K,M ,R	12
-665	113T2230-7		.RIB INSTL	F,J,L ,Q	1
-667	113T2230-8		.RIB INSTL	H,K,M ,R	1
669	BACB30NN3K6		..BOLT	F,H-M ,Q,R	10
671	BACB30NN4K9		..BOLT	F,H-M ,Q,R	10

57-53-27

 ILLUSTRATED PARTS LIST  
 01.101 Page 1052P  
 Mar 01/05

**BOEING**  
 COMPONENT  
 MAINTENANCE MANUAL

FIG. & ITEM	PART NO.	AIRLINE PART NUMBER	NOMENCLATURE 1234567	EFF CODE	QTY PER ASSY
06-673	HL11VAZ6-6		..BOLT- (V60516) (SPEC BACB30NW6K6) (OPT B30NW6K6 (V97928)) (OPT HL11VAZ6-6 (V73197)) (OPT HL11VAZ6-6 (V92215)) (OPT HL11VAZ6-6 (V97928)) (OPT L803-6K6 (V06725)) (OPT HL11VAZ6-6 (VOPTK6)) (OPT HL11VAZ6-6 (V56878))	F,H-M ,Q,R	2
675	HL11VAZ8-6		..BOLT- (V60516) (SPEC BACB30NW8K6) (OPT B30NW8K6 (V97928)) (OPT HL11VAZ8-6 (V73197)) (OPT HL11VAZ8-6 (V92215)) (OPT HL11VAZ8-6 (V97928)) (OPT L803-8K6 (V06725)) (OPT HL11VAZ8-6 (VOPTK6)) (OPT HL11VAZ8-6 (V56878))	F,H-M ,Q,R	5

**57-53-27**

ILLUSTRATED PARTS LIST  
 01.101 Page 1052Q  
 Mar 01/05



FIG. & ITEM	PART NO.	AIRLINE PART NUMBER	NOMENCLATURE 1234567	EFF CODE	QTY PER ASSY
06-676	HL11VAZ6-4		..BOLT- (V60516) (SPEC BACB30NW6K4) (OPT HL11V6-4 (V92215)) (OPT HL11V6-4 (V97928)) (OPT L803-6-4 (V06725)) (OPT B30NW6K4 (V97928)) (OPT HL11VAZ6-4 (V73197)) (OPT HL11VAZ6-4 (V92215)) (OPT HL11VAZ6-4 (V56878))	F, H-M , Q, R	14
677	HL11VAZ8-8		..BOLT- (V56878) (SPEC BACB30NW8K8) (OPT B30NW8K8 (V97928)) (OPT HL11VAZ8-8 (V73197)) (OPT HL11VAZ8-8 (V92215)) (OPT HL11VAZ8-8 (V97928)) (OPT L803-8K8 (V06725)) (OPT HL11VAZ8-8 (V0PTK6)) (OPT HL11VAZ8-8 (V60516))	F, H-M , Q, R	1

# 57-53-27

 ILLUSTRATED PARTS LIST  
 01.101 Page 1052R  
 Mar 01/05


**BOEING**  
 COMPONENT  
 MAINTENANCE MANUAL

FIG. & ITEM	PART NO.	AIRLINE PART NUMBER	NOMENCLATURE 1234567	EFF CODE	QTY PER ASSY
06-679	BACS40B19C30F		..SHIM	F,H-M /Q,R	1
681	BACS40R08C24F		..SHIM	F,H-M /Q,R	1
683	BACS40R09C22F		..SHIM	F,H-M /Q,R	1
685	BACS40R09C24F		..SHIM	F,H-M /Q,R	1
687	BACS40R10C12F		..SHIM	F,H-M /Q,R	1
689	BACS40R10C22F		..SHIM	F,H-M /Q,R	1
691	HL79-6		..COLLAR- (V5M902) (SPEC BACC30M6) (OPT HL79-6 (V73197)) (OPT HL79-6 (V92215)) (OPT 66014-6 (V56878)) (OPT HL79-6 (V56878))	F,H-M /Q,R	16
693	HL79-8		..COLLAR- (V5M902) (SPEC BACC30M8) (OPT HL79-8 (V73197)) (OPT HL79-8 (V92215)) (OPT 66014-8 (V56878)) (OPT HL79-8 (V56878))	F,H-M /Q,R	6

57-53-27

 ILLUSTRATED PARTS LIST  
 01.101 Page 1052S  
 Mar 01/05

FIG. & ITEM	PART NO.	AIRLINE PART NUMBER	NOMENCLATURE 1234567	EFF CODE	QTY PER ASSY
06-695	BACR15CE3M		..RIVET- (SIZE DETERMINE ON INST)	F,H-M ,Q,R	40
697	BACN10JQ42		..NUTPLATE	F,H-M ,Q,R	1
699	BACN10JQ44		..NUTPLATE	F,H-M ,Q,R	9
701	NS103191-02-3		..NUTPLATE- (V80539) (SPEC BACN10KE3B3) (OPT F51750-3-3 (V15653)) (OPT RMF9213-3-3 (V72962)) (OPT BRFR220A3-3 (V52828))	F,H-M ,Q,R	10
-703	113T2348-7		.RIB INSTL	F,J,L ,Q	1
-705	113T2348-8		.RIB INSTL	H,K,M ,R	1
707	HL11VAZ8-8		..BOLT- (V56878) (SPEC BACB30NW8K8) (OPT B30NW8K8 (V97928)) (OPT HL11VAZ8-8 (V73197)) (OPT HL11VAZ8-8 (V92215)) (OPT HL11VAZ8-8 (V97928)) (OPT L803-8K8 (V06725)) (OPT HL11VAZ8-8 (V0PTK6)) (OPT HL11VAZ8-8 (V60516))	F,H-M ,Q,R	2

57-53-27

 ILLUSTRATED PARTS LIST  
 01.101 Page 1052T  
 Mar 01/05


**BOEING**  
 COMPONENT  
 MAINTENANCE MANUAL

FIG. & ITEM	PART NO.	AIRLINE PART NUMBER	NOMENCLATURE 1234567	EFF CODE	QTY PER ASSY
06-709	HL11VAZ6-6		..BOLT- (V60516) (SPEC BACB30NW6K6) (OPT B30NW6K6 (V97928)) (OPT HL11VAZ6-6 (V73197)) (OPT HL11VAZ6-6 (V92215)) (OPT HL11VAZ6-6 (V97928)) (OPT L803-6K6 (V06725)) (OPT HL11VAZ6-6 (V0PTK6)) (OPT HL11VAZ6-6 (V56878))	F,H-M ,Q,R	1
711	HL11VAZ6-4		..BOLT- (V60516) (SPEC BACB30NW6K4) (OPT HL11V6-4 (V92215)) (OPT HL11V6-4 (V97928)) (OPT L803-6-4 (V06725)) (OPT B30NW6K4 (V97928)) (OPT HL11VAZ6-4 (V73197)) (OPT HL11VAZ6-4 (V92215)) (OPT HL11VAZ6-4 (V56878))	F,H-M ,Q,R	2
713	BACB30NN4K9		..BOLT	F,H-M ,Q,R	2
715	BACB30NN3K6		..BOLT	F,H-M ,Q,R	7
717	HL10VAZ6-5		..BOLT- (V60516) (SPEC BACB30MY6K5) (OPT B30MY6K5 (V97928))	F,H-M ,Q,R	2

57-53-27

 ILLUSTRATED PARTS LIST  
 01.101 Page 1052U  
 Mar 01/05

FIG. & ITEM	PART NO.	AIRLINE PART NUMBER	NOMENCLATURE 1234567	EFF CODE	QTY PER ASSY
06-719	HL10VAZ6-3		..BOLT- (V60516) (SPEC BACB30MY6K3) (OPT B30MY6K3 (V97928))	F,H-M ,Q,R	3
721	BACR15CE6KE4		..RIVET	F,H-M ,Q,R	8
723	K29913-104		..WASHER- (V15653) (SPEC BACW10CA104CC) (OPT 70191-104 (V56878)) (OPT 922008-4 (V60119)) (OPT 942008-4 (V60119))	F,H-M ,Q,R	1
725	K29646-104		..WASHER- (V15653) (SPEC BACW10CA104CV) (OPT 70188-104 (V56878)) (OPT 922007-4 (V60119)) (OPT 942007-4 (V60119))	F,H-M ,Q,R	1
727	BACF3TT03H8-8		..WASHER	F,H-M ,Q,R	1
729	BACS4OR08C10F		..SHIM	F,H-M ,Q,R	3
731	BACS4OR08C08F		..SHIM	F,H-M ,Q,R	2

# 57-53-27

 ILLUSTRATED PARTS LIST  
 01.101 Page 1052V  
 Mar 01/05


**BOEING**  
 COMPONENT  
 MAINTENANCE MANUAL

FIG. & ITEM	PART NO.	AIRLINE PART NUMBER	NOMENCLATURE 1234567	EFF CODE	QTY PER ASSY
06-733	BACS4OR08C09F		..SHIM	F,H-M /Q,R	1
735	BACS4OR09C10F		..SHIM	F,H-M /Q,R	1
737	BACS4OR29C08F		..SHIM	F,H-M /Q,R	1
739	HL79-6		..COLLAR- (V5M902) (SPEC BACC30M6) (OPT HL79-6 (V73197)) (OPT HL79-6 (V92215)) (OPT 66014-6 (V56878)) (OPT HL79-6 (V56878))	F,H-M /Q,R	8
741	HL79-8		..COLLAR- (V5M902) (SPEC BACC30M8) (OPT HL79-8 (V73197)) (OPT HL79-8 (V92215)) (OPT 66014-8 (V56878)) (OPT HL79-8 (V56878))	F,H-M /Q,R	2
743	BACR15BA3AD		..RIVET- (SIZE DETERMINE ON INST)	F,H-M /Q,R	18

57-53-27

 ILLUSTRATED PARTS LIST  
 01.101 Page 1052W  
 Mar 01/05

FIG. & ITEM	PART NO.	AIRLINE PART NUMBER	NOMENCLATURE 1234567	EFF CODE	QTY PER ASSY
06-745	BRFM22A3-3		..NUTPLATE- (V52828) (SPEC BACN10JQ33) (OPT MF19058-3-3BAC (V15653))	F,H-M ,Q,R	2
747	BACN10JQ42		..NUTPLATE	F,H-M ,Q,R	1
749	BACN10JQ43		..NUTPLATE	F,H-M ,Q,R	1
751	NS103191-02-3		..NUTPLATE- (V80539) (SPEC BACN10KE3B3) (OPT F51750-3-3 (V15653)) (OPT RMF9213-3-3 (V72962)) (OPT BRFR220A3-3 (V52828))	F,H-M ,Q,R	3
753	NS103194-02-3		..NUTPLATE- (V80539) (SPEC BACN10KE3E3) (OPT F51752-3-3 (V15653)) (OPT RMF9216-3-3 (V72962)) (OPT BRFR120A3-3 (V52828))	F,H-M ,Q,R	2
755	113T2239-1		..RIB-INTERMEDIATE	F,J,L ,Q	1
-757	113T2239-2		..RIB-INTERMEDIATE	H,K,M ,R	1
-759	113T2233-7		.RIB INSTL	F,J,L ,Q	1

57-53-27

 ILLUSTRATED PARTS LIST  
 01.101 Page 1052X  
 Mar 01/05


**BOEING**  
 COMPONENT  
 MAINTENANCE MANUAL

FIG. & ITEM	PART NO.	AIRLINE PART NUMBER	NOMENCLATURE 1234567	EFF CODE	QTY PER ASSY
06- -761	113T2233-8		.RIB INSTL	H,K,M R	1
763	BACB30NN3K6		..BOLT	F,H-M Q,R	6
765	BACB30NN4K9		..BOLT	F,H-M Q,R	12
767	HL11VAZ6-4		..BOLT- (V60516) (SPEC BACB30NW6K4) (OPT HL11V6-4 (V92215)) (OPT HL11V6-4 (V97928)) (OPT L803-6-4 (V06725)) (OPT B30NW6K4 (V97928)) (OPT HL11VAZ6-4 (V73197)) (OPT HL11VAZ6-4 (V92215)) (OPT HL11VAZ6-4 (V56878))	F,H-M Q,R	10
769	HL11VAZ6-9		..BOLT- (V60516) (SPEC BACB30NW6K9) (OPT B30NW6K9 (V97928)) (OPT HL11VAZ6-9 (V73197)) (OPT HL11VAZ6-9 (V92215)) (OPT HL11VAZ6-9 (V97928)) (OPT L803-6K9 (V06725)) (OPT HL11VAZ6-9 (V0PTK6)) (OPT HL11VAZ6-9 (V56878))	F,H-M Q,R	2

57-53-27

 ILLUSTRATED PARTS LIST  
 01.101 Page 1052Y  
 Mar 01/05



FIG. & ITEM	PART NO.	AIRLINE PART NUMBER	NOMENCLATURE 1234567	EFF CODE	QTY PER ASSY
06-771	HL11VAZ8-5		..BOLT- (V60516) (SPEC BACB30NW8K5) (OPT B30NW8K5 (V97928)) (OPT HL11VAZ8-5 (V73197)) (OPT HL11VAZ8-5 (V92215)) (OPT HL11VAZ8-5 (V97928)) (OPT L803-8K5 (V06725)) (OPT HL11VAZ8-5 (VOPTK6)) (OPT HL11VAZ8-5 (V56878))	F,H-M ,Q,R	2
773	HL11VAZ8-9		..BOLT- (V56878) (SPEC BACB30NW8K9) (OPT B30NW8K9 (V97928)) (OPT HL11VAZ8-9 (V73197)) (OPT HL11VAZ8-9 (V92215)) (OPT HL11VAZ8-9 (V97928)) (OPT L803-8K9 (V06725)) (OPT HL11VAZ8-9 (VOPTK6)) (OPT HL11VAZ8-9 (V60516))	F,H-M ,Q,R	6
775	BACS40R09C21F		..SHIM	F,H-M ,Q,R	1
777	BACS40R10C21F		..SHIM	F,H-M ,Q,R	1
779	BACS40R10C30F		..SHIM	F,H-M ,Q,R	1

57-53-27

 ILLUSTRATED PARTS LIST  
 01.101 Page 1052Z  
 Mar 01/05

**BOEING**  
 COMPONENT  
 MAINTENANCE MANUAL

FIG. & ITEM	PART NO.	AIRLINE PART NUMBER	NOMENCLATURE 1234567	EFF CODE	QTY PER ASSY
06-781	BACS40R11C21F		..SHIM	F,H-M /Q,R	1
783	BACS40R12C21F		..SHIM	F,H-M /Q,R	1
785	BACS40R12C28F		..SHIM	F,H-M /Q,R	1
787	BACS40R14C33F		..SHIM	F,H-M /Q,R	1
789	BACS40R17C33F		..SHIM	F,H-M /Q,R	1
791	BACS40R19C28F		..SHIM	F,H-M /Q,R	1
793	HL79-6		..COLLAR- (V5M902) (SPEC BACC30M6) (OPT HL79-6 (V73197)) (OPT HL79-6 (V92215)) (OPT 66014-6 (V56878)) (OPT HL79-6 (V56878))	F,H-M /Q,R	12
795	HL79-8		..COLLAR- (V5M902) (SPEC BACC30M8) (OPT HL79-8 (V73197)) (OPT HL79-8 (V92215)) (OPT 66014-8 (V56878)) (OPT HL79-8 (V56878))	F,H-M /Q,R	8

**57-53-27**

ILLUSTRATED PARTS LIST  
 01.101 Page 1053  
 Mar 01/05

FIG. & ITEM	PART NO.	AIRLINE PART NUMBER	NOMENCLATURE 1234567	EFF CODE	QTY PER ASSY
06-797	BACR15BA3AD		..RIVET- (SIZE DETERMINE ON INST)	F,H-M Q,R	36
799	BACN10JQ42		..NUTPLATE	F,H-M Q,R	10
801	BACN10JQ44		..NUTPLATE	F,H-M Q,R	2
803	NS103191-02-3		..NUTPLATE- (V80539) (SPEC BACN10KE3B3) (OPT F51750-3-3 (V15653)) (OPT RMF9213-3-3 (V72962)) (OPT BRFR220A3-3 (V52828))	F,H-M Q,R	6
805	113T2236-9		..RIB-SPRT	F,J,L Q	1
-807	113T2236-10		..RIB-SPRT	H,K,M R	1
-809	113T2234-9		.RIB INSTL	F,J,L Q	1
-811	113T2234-10		.RIB INSTL	H,K,M R	1
813	BACR15BA3AD		..RIVET- (SIZE DETERMINE ON INST)	F,H-M Q,R	44
815	BACN10JQ42		..NUTPLATE	F,H-M Q,R	6
817	BACN10JQ43		..NUTPLATE	F,H-M Q,R	4

**57-53-27**

 ILLUSTRATED PARTS LIST  
 01.101 Page 1054  
 Mar 01/05


**BOEING**  
 COMPONENT  
 MAINTENANCE MANUAL

FIG. & ITEM	PART NO.	AIRLINE PART NUMBER	NOMENCLATURE 1234567	EFF CODE	QTY PER ASSY
06-819	NS103191-02-3		..NUTPLATE- (V80539) (SPEC BACN10KE3B3) (OPT F51750-3-3 (V15653)) (OPT RMF9213-3-3 (V72962)) (OPT BRFR220A3-3 (V52828))	F,H-M ,Q,R	12
821	113T2238-27		..RIB ASSY-SPRT	F,J,L ,Q	1
-823	113T2238-28		..RIB ASSY-SPRT	H,K,M ,R	1
			ATTACHING PARTS		
825	BACB30LK4-9		..BOLT	F,H-M ,Q,R	10
827	HL10VAZ12-10		..BOLT- (V60516) (SPEC BACB30MY12K10) (OPT B30MY12K10 (V97928))	F,H-M ,Q,R	2
829	HL10VAZ8-9		..BOLT- (V60516) (SPEC BACB30MY8K9) (OPT B30MY8K9 (V97928))	F,H-M ,Q,R	6
831	BACB30NN3K6		..BOLT	F,H-M ,Q,R	12
833	HL11VAZ6-4		..BOLT- (V60516) (SPEC BACB30NW6K4) (OPT HL11V6-4 (V92215)) (OPT HL11V6-4 (V97928)) (OPT L803-6-4 (V06725)) (OPT B30NW6K4 (V97928)) (OPT HL11VAZ6-4 (V73197)) (OPT HL11VAZ6-4 (V92215)) (OPT HL11VAZ6-4 (V56878))	F,H-M ,Q,R	14

57-53-27

 ILLUSTRATED PARTS LIST  
 01.101 Page 1054A  
 Mar 01/05

FIG. & ITEM	PART NO.	AIRLINE PART NUMBER	NOMENCLATURE 1234567	EFF CODE	QTY PER ASSY
06-835	HL11VAZ8-10		..BOLT- (V60516) (SPEC BACB30NW8K10) (OPT B30NW8K10 (V97928)) (OPT HL11VAZ8-10 (V73197)) (OPT HL11VAZ8-10 (V92215)) (OPT HL11VAZ8-10 (V97928)) (OPT L803-8K10 (V06725)) (OPT HL11VAZ8-10 (VOPTK6)) (OPT HL11VAZ8-10 (V56878))	F, H-M , Q, R	6
837	HL11VAZ8-7		..BOLT- (V56878) (SPEC BACB30NW8K7) (OPT B30NW8K7 (V97928)) (OPT HL11VAZ8-7 (V73197)) (OPT HL11VAZ8-7 (V92215)) (OPT HL11VAZ8-7 (V97928)) (OPT L803-8K7 (V06725)) (OPT HL11VAZ8-7 (VOPTK6)) (OPT HL11VAZ8-7 (V60516))	F, H-M , Q, R	4

# 57-53-27

 ILLUSTRATED PARTS LIST  
 01.101 Page 1054B  
 Mar 01/05


**BOEING**  
 COMPONENT  
 MAINTENANCE MANUAL

FIG. & ITEM	PART NO.	AIRLINE PART NUMBER	NOMENCLATURE 1234567	EFF CODE	QTY PER ASSY
06-839	HL11VAZ8-9		..BOLT- (V56878) (SPEC BACB30NW8K9) (OPT B30NW8K9 (V97928)) (OPT HL11VAZ8-9 (V73197)) (OPT HL11VAZ8-9 (V92215)) (OPT HL11VAZ8-9 (V97928)) (OPT L803-8K9 (V06725)) (OPT HL11VAZ8-9 (V0PTK6)) (OPT HL11VAZ8-9 (V60516))	F,H-M ,Q,R	2
841	HL79-12		..COLLAR- (V5M902) (SPEC BACC30M12) (OPT HL79-12 (V73197)) (OPT HL79-12 (V92215)) (OPT 66014-12 (V56878)) (OPT HL79-12 (V56878))	F,H-M ,Q,R	2
843	HL79-6		..COLLAR- (V5M902) (SPEC BACC30M6) (OPT HL79-6 (V73197)) (OPT HL79-6 (V92215)) (OPT 66014-6 (V56878)) (OPT HL79-6 (V56878))	F,H-M ,Q,R	14

57-53-27

 ILLUSTRATED PARTS LIST  
 01.101 Page 1054C  
 Mar 01/05

FIG. & ITEM	PART NO.	AIRLINE PART NUMBER	NOMENCLATURE 1234567	EFF CODE	QTY PER ASSY
06-845	HL79-8		...COLLAR- (V5M902) (SPEC BACC30M8) (OPT HL79-8 (V73197)) (OPT HL79-8 (V92215)) (OPT 66014-8 (V56878)) (OPT HL79-8 (V56878)) -----*-----	F,H-M Q,R	18
847	HL10VAZ6-3		...BOLT- (V60516) (SPEC BACB30MY6K3) (OPT B30MY6K3 (V97928))	F,H-M Q,R	12
849	HL79-6		...COLLAR- (V5M902) (SPEC BACC30M6) (OPT HL79-6 (V73197)) (OPT HL79-6 (V92215)) (OPT 66014-6 (V56878)) (OPT HL79-6 (V56878))	F,H-M Q,R	12
851	113T2238-29		...RIB	F,J,L Q	1
-853	113T2238-30		...RIB	H,K,M R	1
855	113T2238-31		...RIB	F,J,L Q	1

57-53-27

 ILLUSTRATED PARTS LIST  
 01.101 Page 1054D  
 Mar 01/05


**BOEING**  
 COMPONENT  
 MAINTENANCE MANUAL

FIG. & ITEM	PART NO.	AIRLINE PART NUMBER	NOMENCLATURE 1234567	EFF CODE	QTY PER ASSY
06- -857	113T2238-32		...RIB	H,K,M /R	1
859	BACS40R11C22F		..SHIM	F,H-M /Q,R	1
861	BACS40R11C29F		..SHIM	F,H-M /Q,R	2
863	BACS40R12C22F		..SHIM	F,H-M /Q,R	2
865	BACS40R13C22F		..SHIM	F,H-M /Q,R	1
867	BACS40R13C29F		..SHIM	F,H-M /Q,R	1
869	BACS40R14C29F		..SHIM	F,H-M /Q,R	1
871	BACS40R19C22F		..SHIM	F,H-M /Q,R	1
873	BACS40R51C22F		..SHIM	F,H-M /Q,R	1
875	113T2242-13		.PANEL ASSY-UPR	F,J,L /Q	1
-877	113T2242-14		.PANEL ASSY-UPR	H,K,M /R	1
879	113T3144-5		..DOOR ASSY-ACCESS	F,H-M /Q,R	1
881	BACB30NN3K4		ATTACHING PARTS ..BOLT	F,H-M /Q,R	16
			-----*-----		
883	MS16562-5		...PIN-SPR	F,H-M /Q,R	1
885	113T3144-21		...SCREW	F,H-M /Q,R	1
887	BACR15BA3AD		...RIVET-	F,H-M	34
889	NS103191-02-3		(SIZE DETERMINE ON INST) ...NUTPLATE-	/Q,R	17
			(V80539)	/Q,R	
			(SPEC BACN10KE3B3)		
			(OPT F51750-3-3		
			(V15653))		
			(OPT RMF9213-3-3		
			(V72962))		
			(OPT BRFR220A3-3		
			(V52828))		
891	113T3144-15		...DOOR	F,H-M /Q,R	1

57-53-27

 ILLUSTRATED PARTS LIST  
 01.101 Page 1054E  
 Mar 01/05

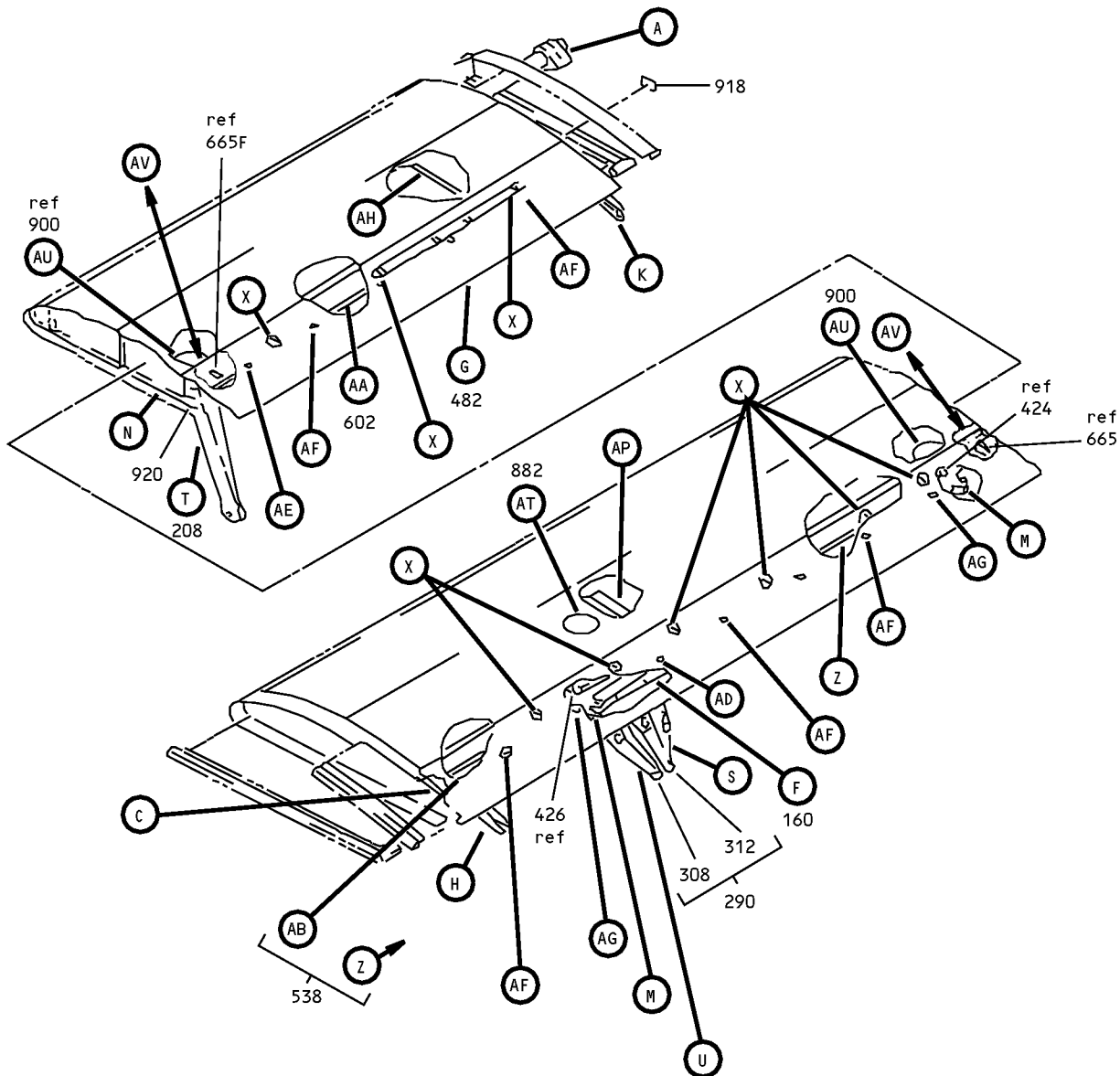


FIG. & ITEM	PART NO.	AIRLINE PART NUMBER	NOMENCLATURE 1234567	EFF CODE	QTY PER ASSY
06-893	113T2243-1		.PANEL ASSY-LWR	F, J, L /Q	1
-895	113T2243-2		.PANEL ASSY-LWR	H, K, M /R	1
897	113T3144-7		..DOOR ASSY-ACCESS	F, H-M /Q, R	2
899	BACB30NN3K5		ATTACHING PARTS ..BOLT	F, H-M /Q, R	32
901	MS16562-5		-----*----- ...PIN-SPR	F, H-M /Q, R	1
903	113T3144-21		...SCREW	F, H-M /Q, R	1
905	BACR15BA3AD		...RIVET- (SIZE DETERMINE ON INST)	F, H-M /Q, R	34
907	NS103191-02-3		...NUTPLATE- (V80539) (SPEC BACN10KE3B3) (OPT F51750-3-3 (V15653)) (OPT RMF9213-3-3 (V72962)) (OPT BRFR220A3-3 (V52828)) (SIZE DETERMINE ON INST)	F, H-M /Q, R	17
909	113T3144-17		...DOOR	F, H-M /Q, R	1
911	MS27253F3		.PLATE	F, H-M /Q, R	1
913	113T2207-25		.BOX ASSY-FWD TORQUE (FOR DETAILS SEE FIG. 2)	F, J, L /Q	1
-915	113T2207-26		.BOX ASSY-FWD TORQUE (FOR DETAILS SEE FIG. 2)	H, K, M /R	1

- Item Not Illustrated

57-53-27

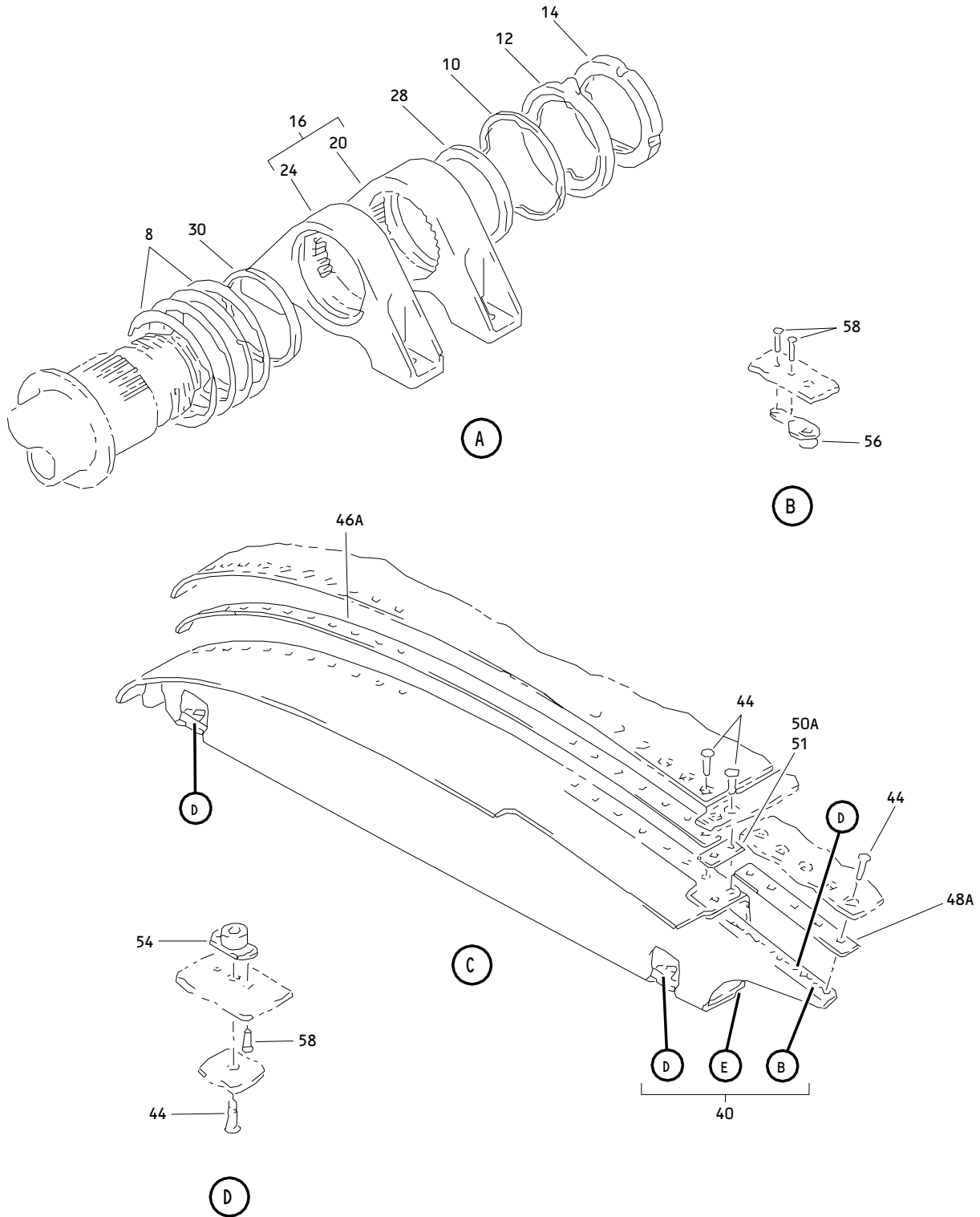
 ILLUSTRATED PARTS LIST  
 01.101 Page 1054F  
 Mar 01/05



Inboard Trailing Edge Flap Assembly  
Figure 7 (Sheet 1)

**57-53-27**

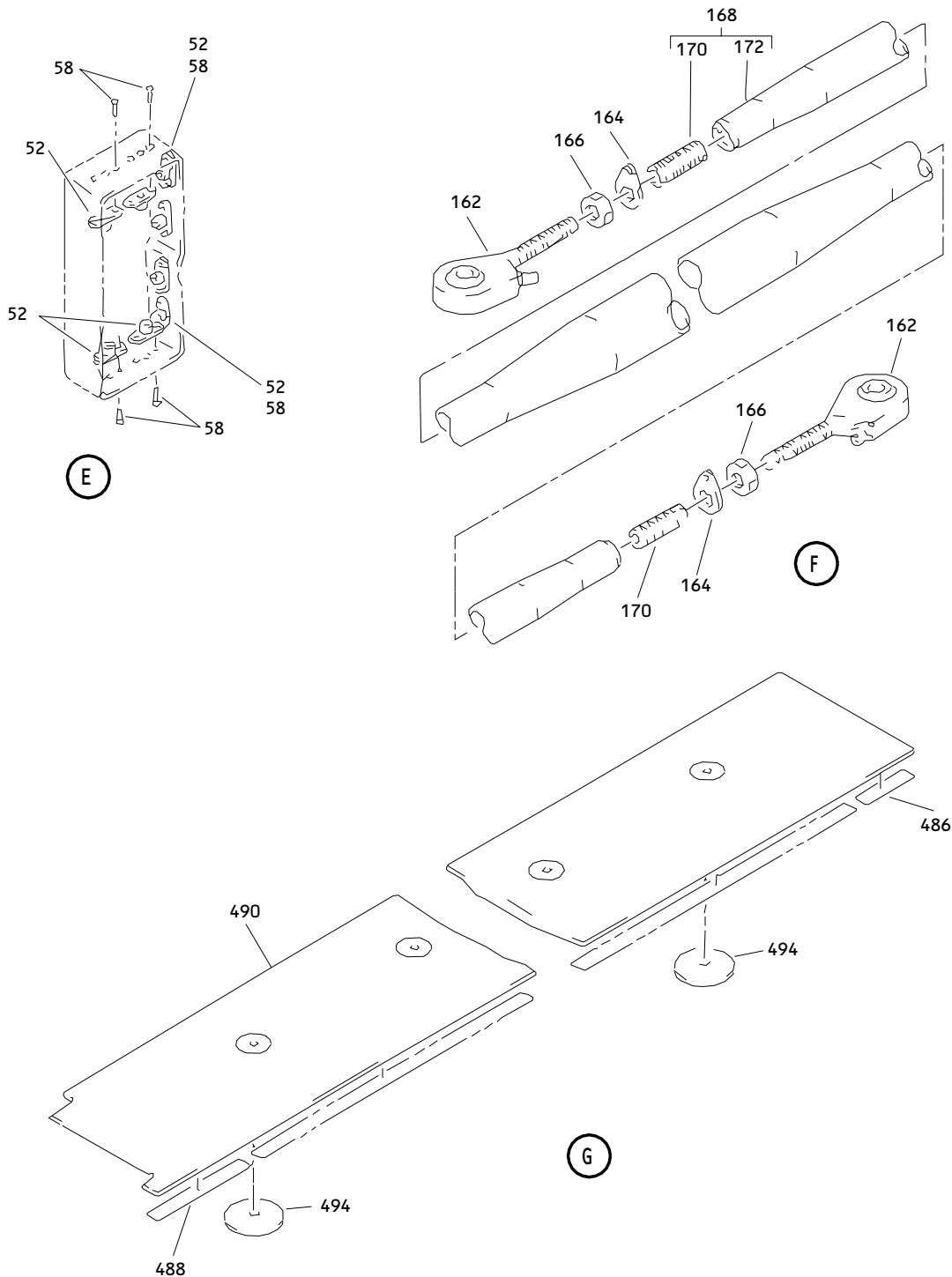
ILLUSTRATED PARTS LIST  
01.101 Page 1054G  
Mar 01/05



**Inboard Trailing Edge Flap Assembly  
 Figure 7 (Sheet 2)**

**57-53-27**

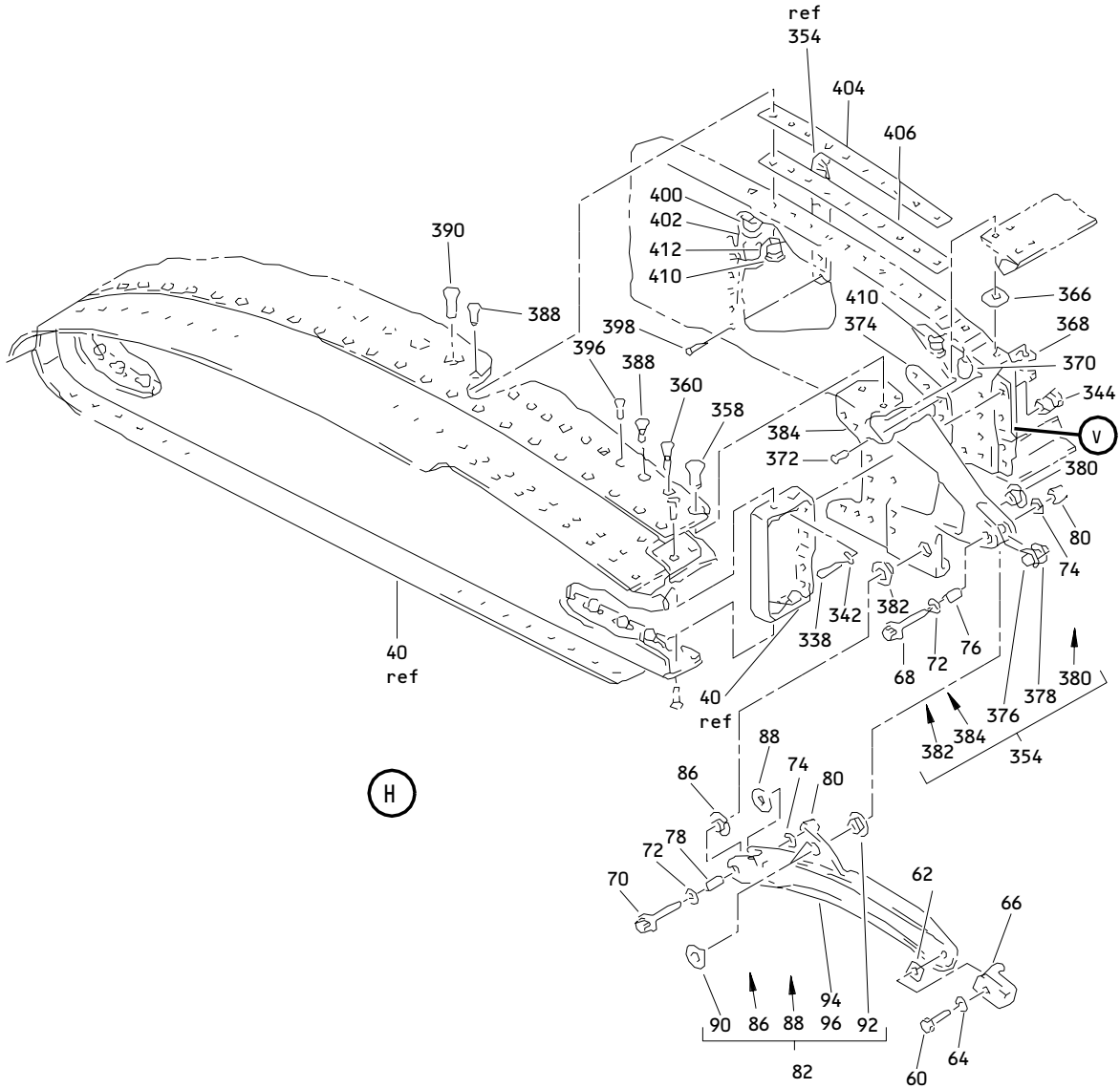
**ILLUSTRATED PARTS LIST  
 01.101 Page 1054H  
 Mar 01/05**



Inboard Trailing Edge Flap Assembly  
 Figure 7 (Sheet 3)

**57-53-27**

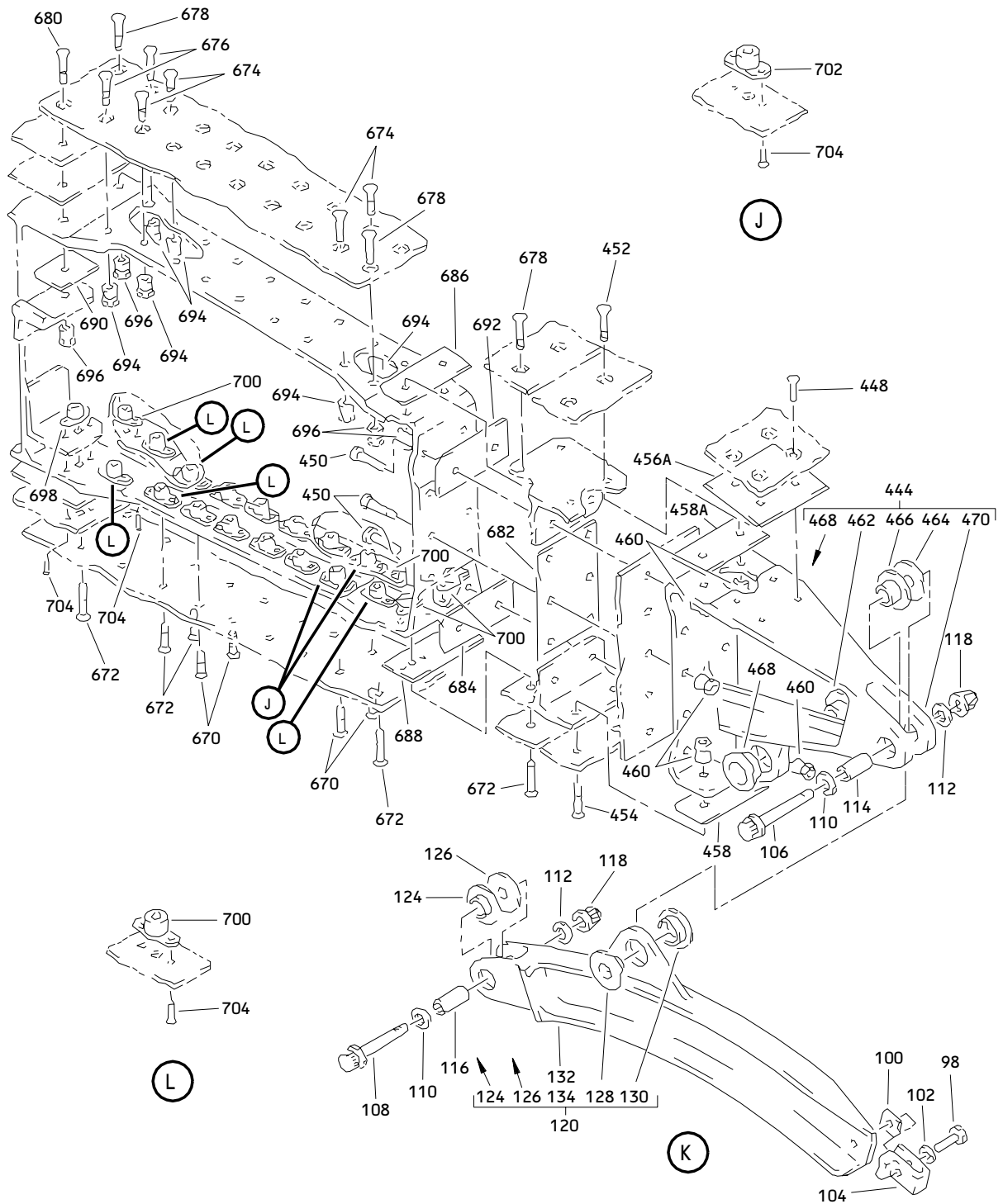
ILLUSTRATED PARTS LIST  
 01.101 Page 1054I  
 Mar 01/05



Inboard Trailing Edge Flap Assembly  
Figure 7 (Sheet 4)

57-53-27

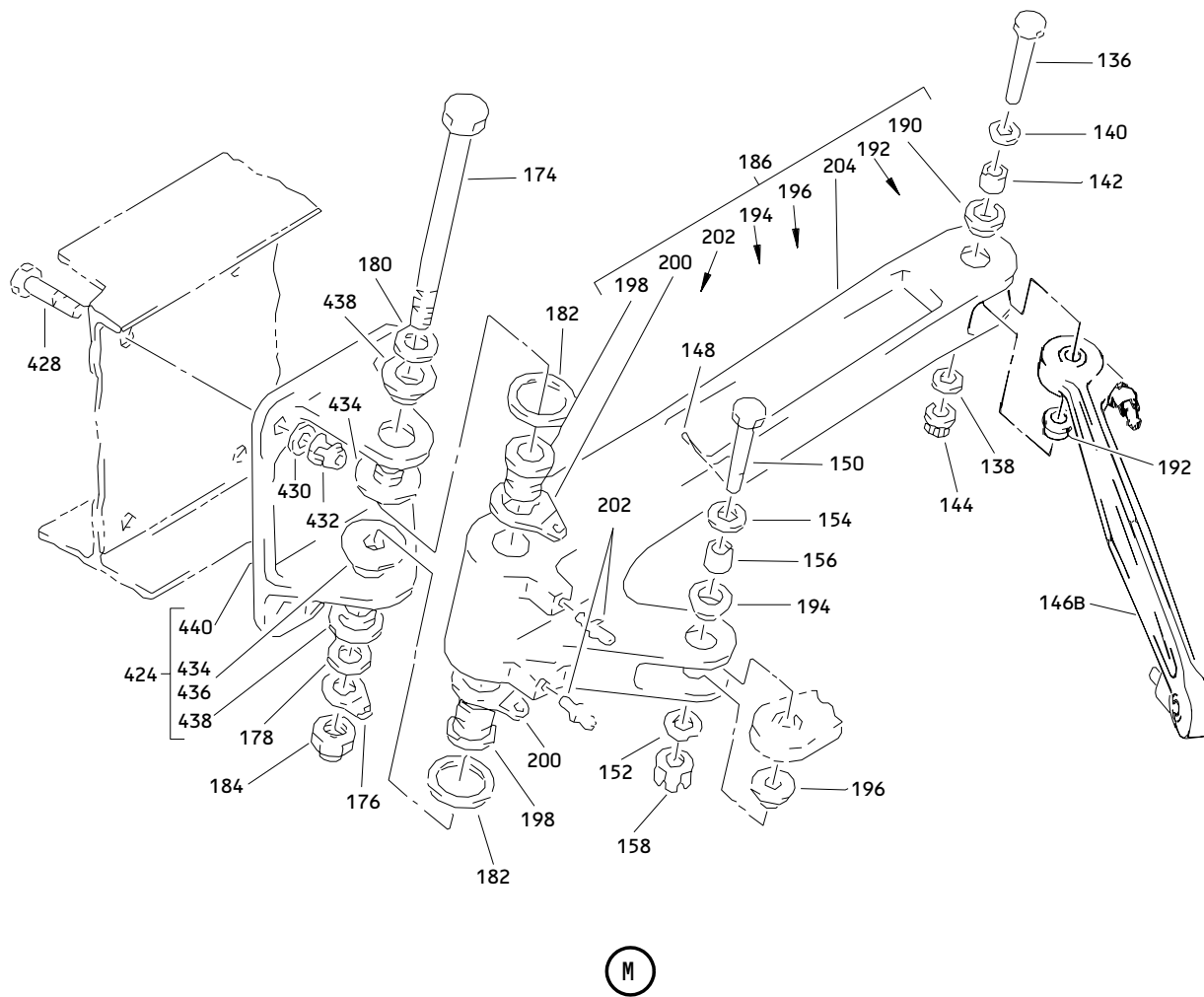
ILLUSTRATED PARTS LIST  
01.101 Page 1054J  
Mar 01/05



Inboard Trailing Edge Flap Assembly  
Figure 7 (Sheet 5)

57-53-27

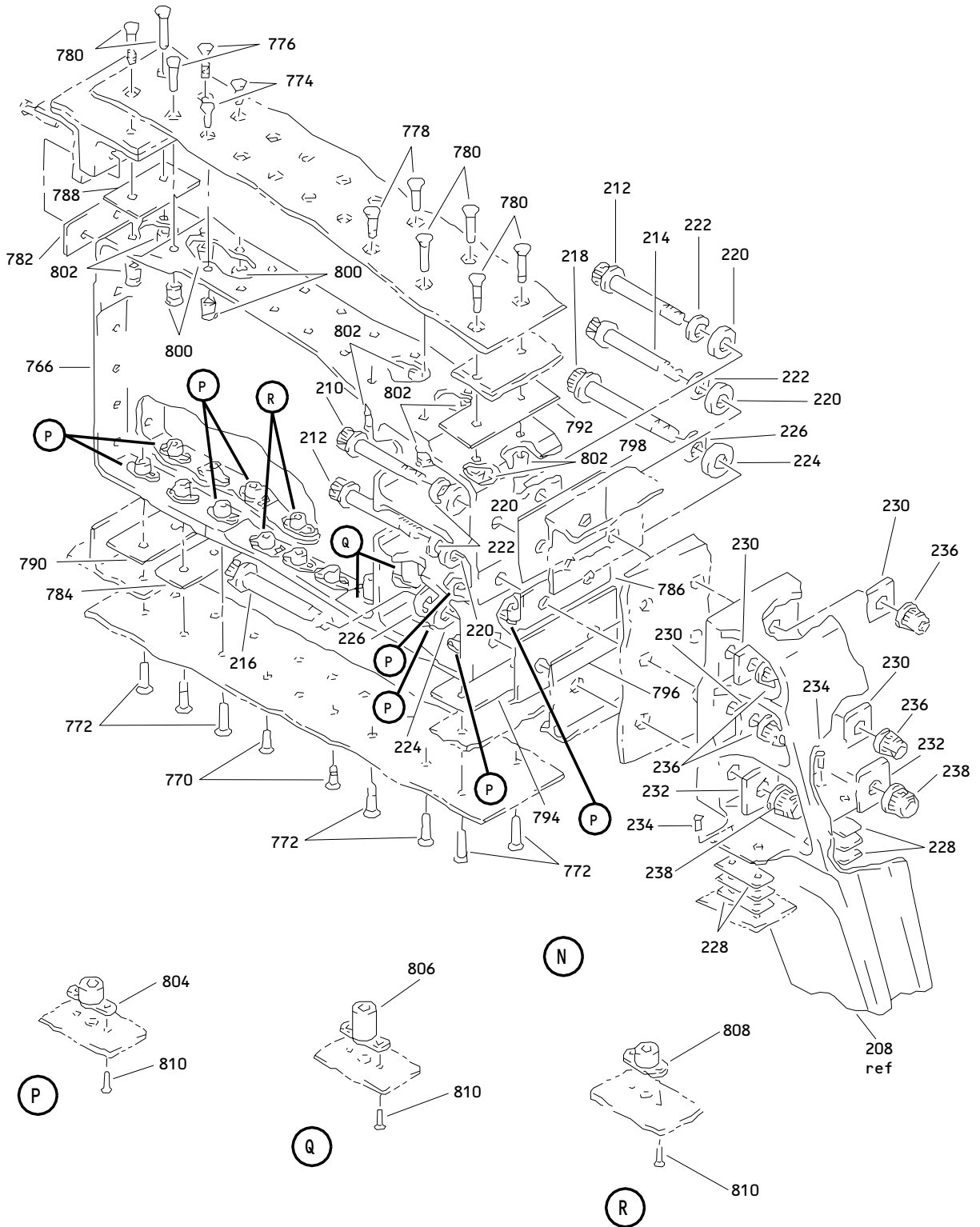
ILLUSTRATED PARTS LIST  
01.101 Page 1054K  
Mar 01/05



Inboard Trailing Edge Flap Assembly  
 Figure 7 (Sheet 6)

**57-53-27**

ILLUSTRATED PARTS LIST  
 01.101 Page 1054L  
 Mar 01/05

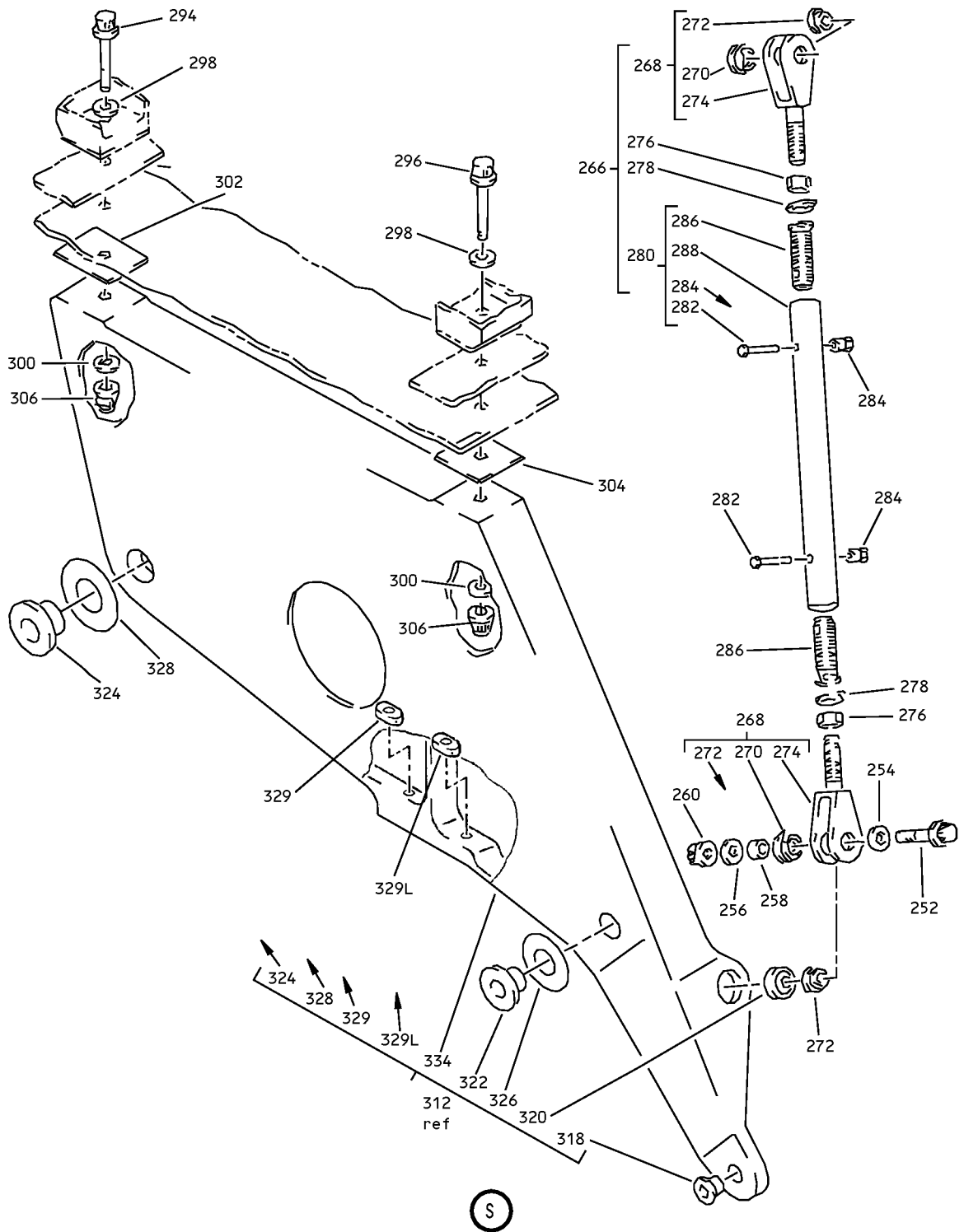


Inboard Trailing Edge Flap Assembly  
 Figure 7 (Sheet 7)

**57-53-27**

ILLUSTRATED PARTS LIST  
 01.101 Page 1054M  
 Mar 01/05

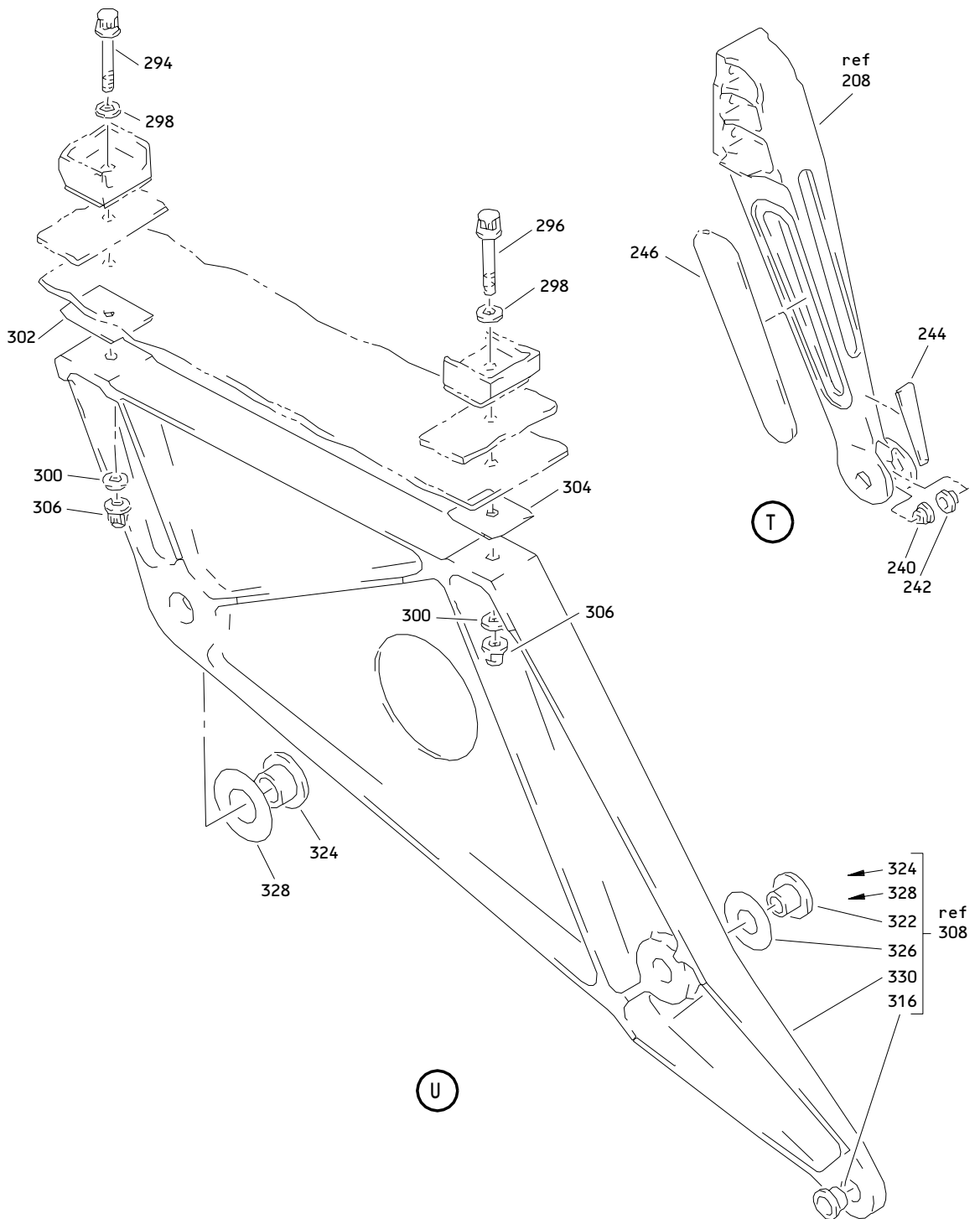




Inboard Trailing Edge Flap Assembly  
 Figure 7 (Sheet 8)

**57-53-27**

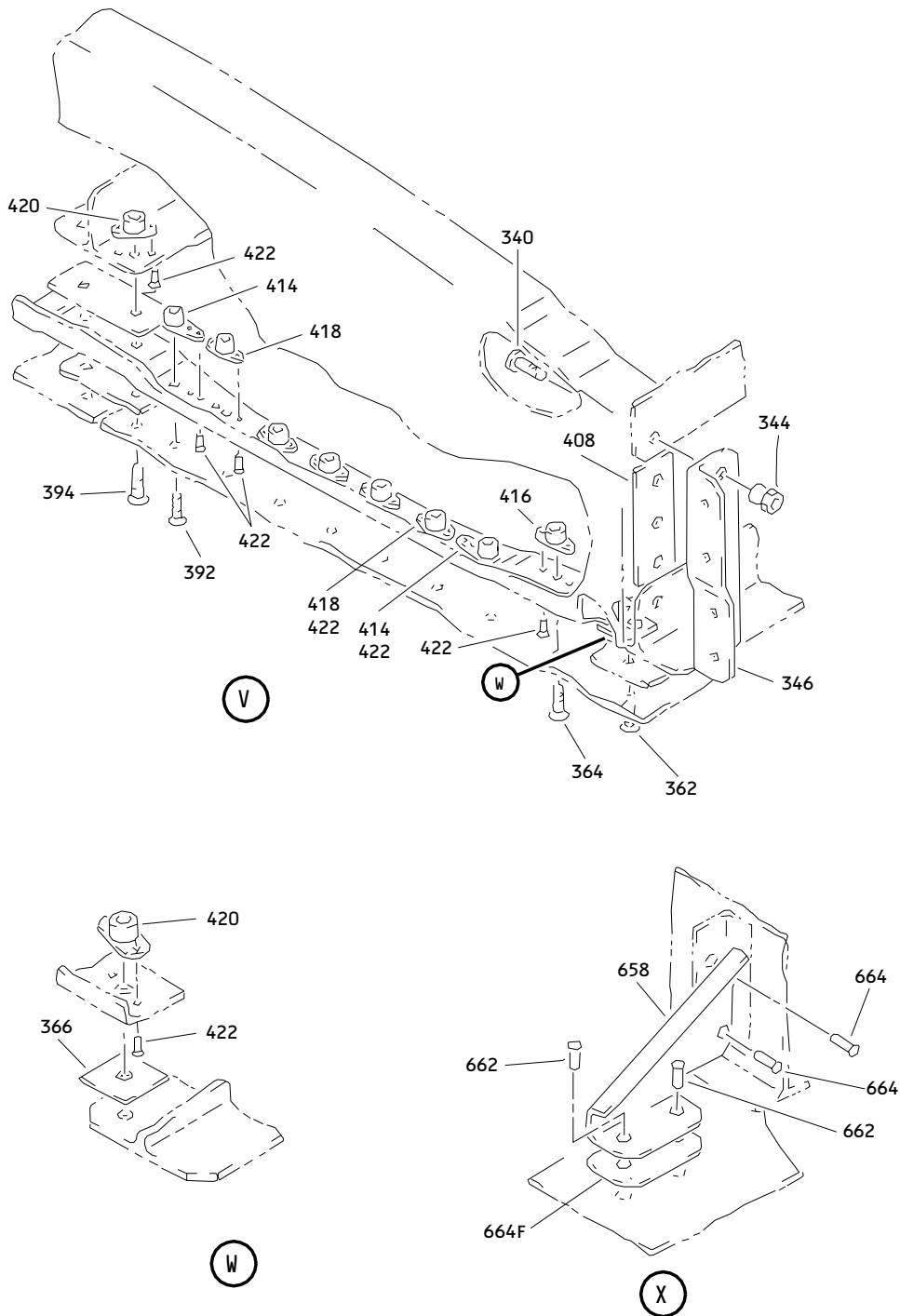
ILLUSTRATED PARTS LIST  
 01.101 Page 1054N  
 Mar 01/05



Inboard Trailing Edge Flap Assembly  
 Figure 7 (Sheet 9)

**57-53-27**

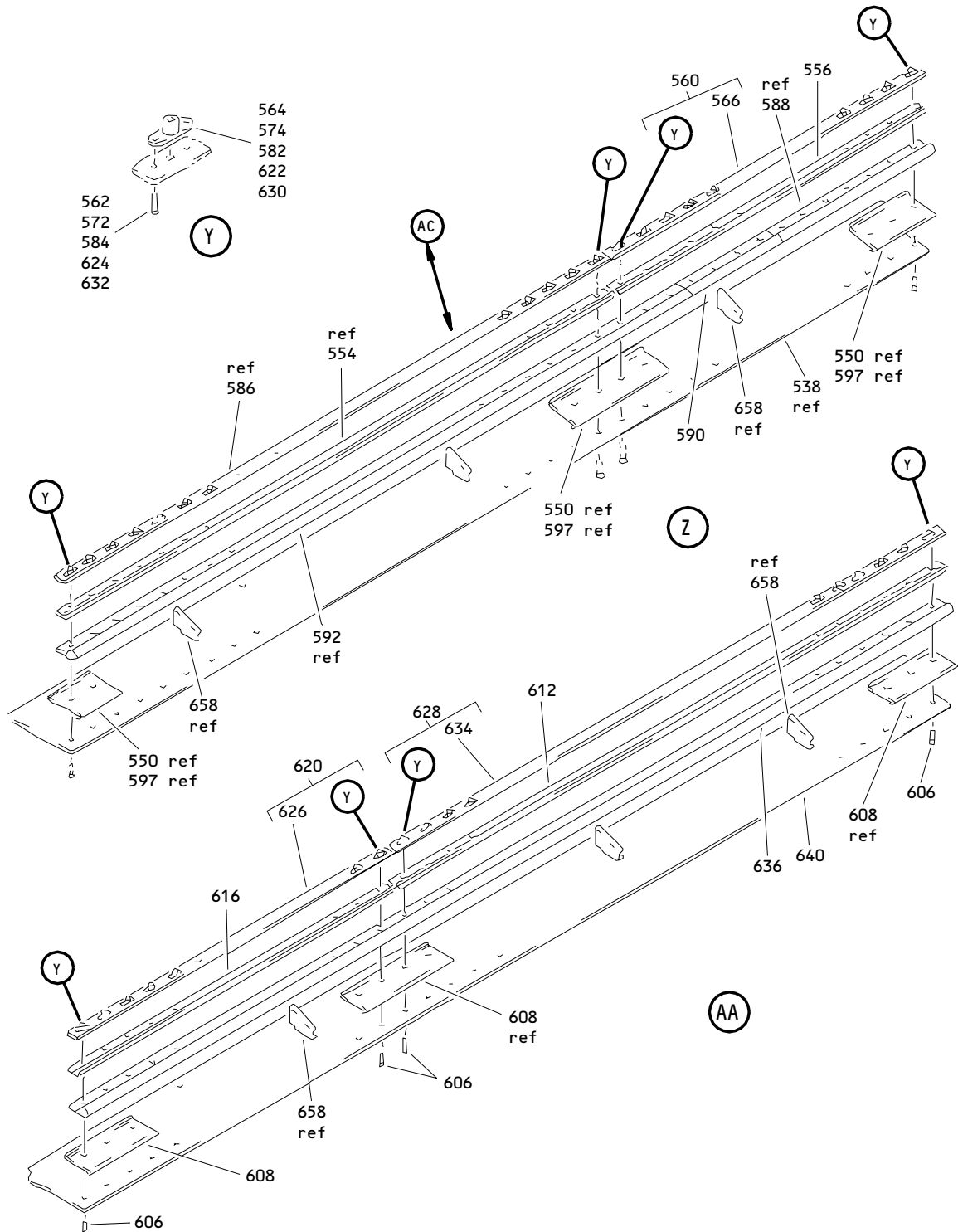
ILLUSTRATED PARTS LIST  
 01.101 Page 10540  
 Mar 01/05



Inboard Trailing Edge Flap Assembly  
 Figure 7 (Sheet 10)

**57-53-27**

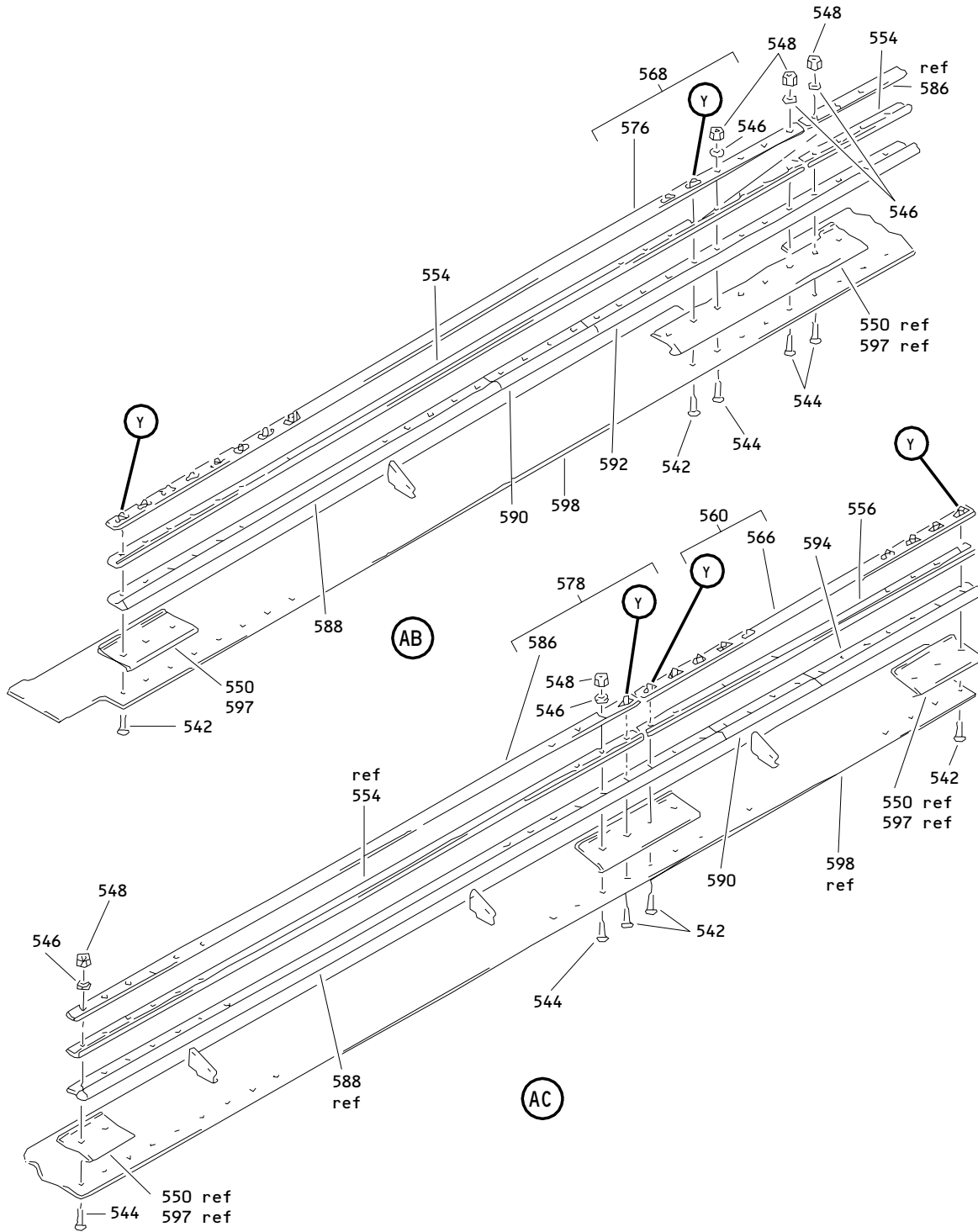
ILLUSTRATED PARTS LIST  
 01.101 Page 1054P  
 Mar 01/05



Inboard Trailing Edge Flap Assembly  
Figure 7 (Sheet 11)

**57-53-27**

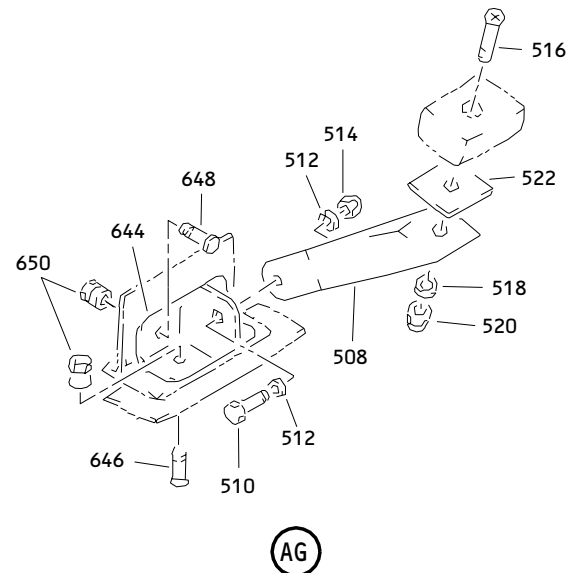
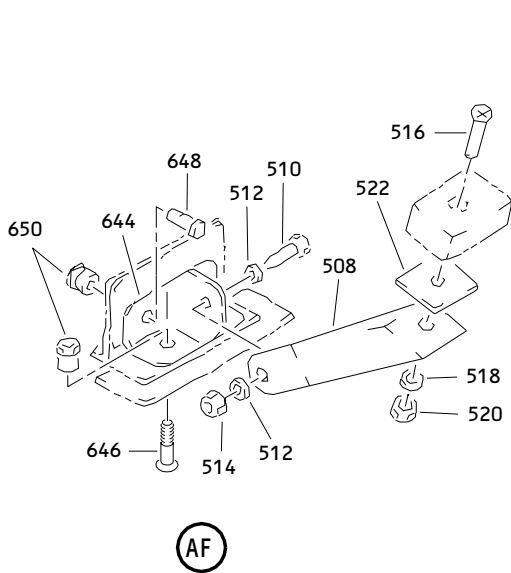
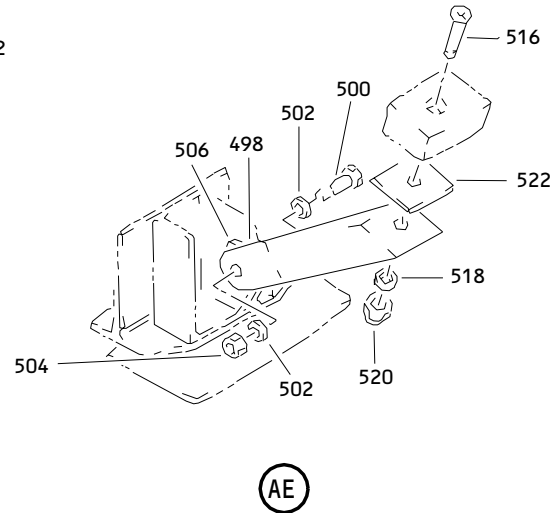
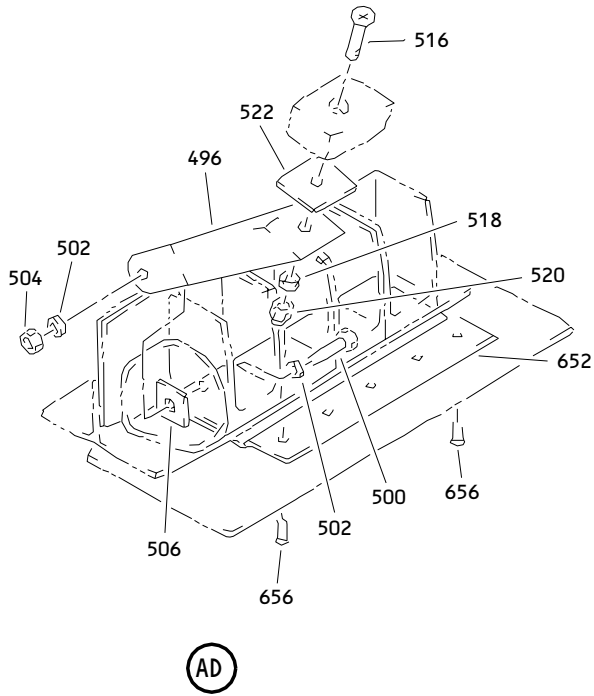
ILLUSTRATED PARTS LIST  
01.101 Page 1054Q  
Mar 01/05



Inboard Trailing Edge Flap Assembly  
 Figure 7 (Sheet 12)

**57-53-27**

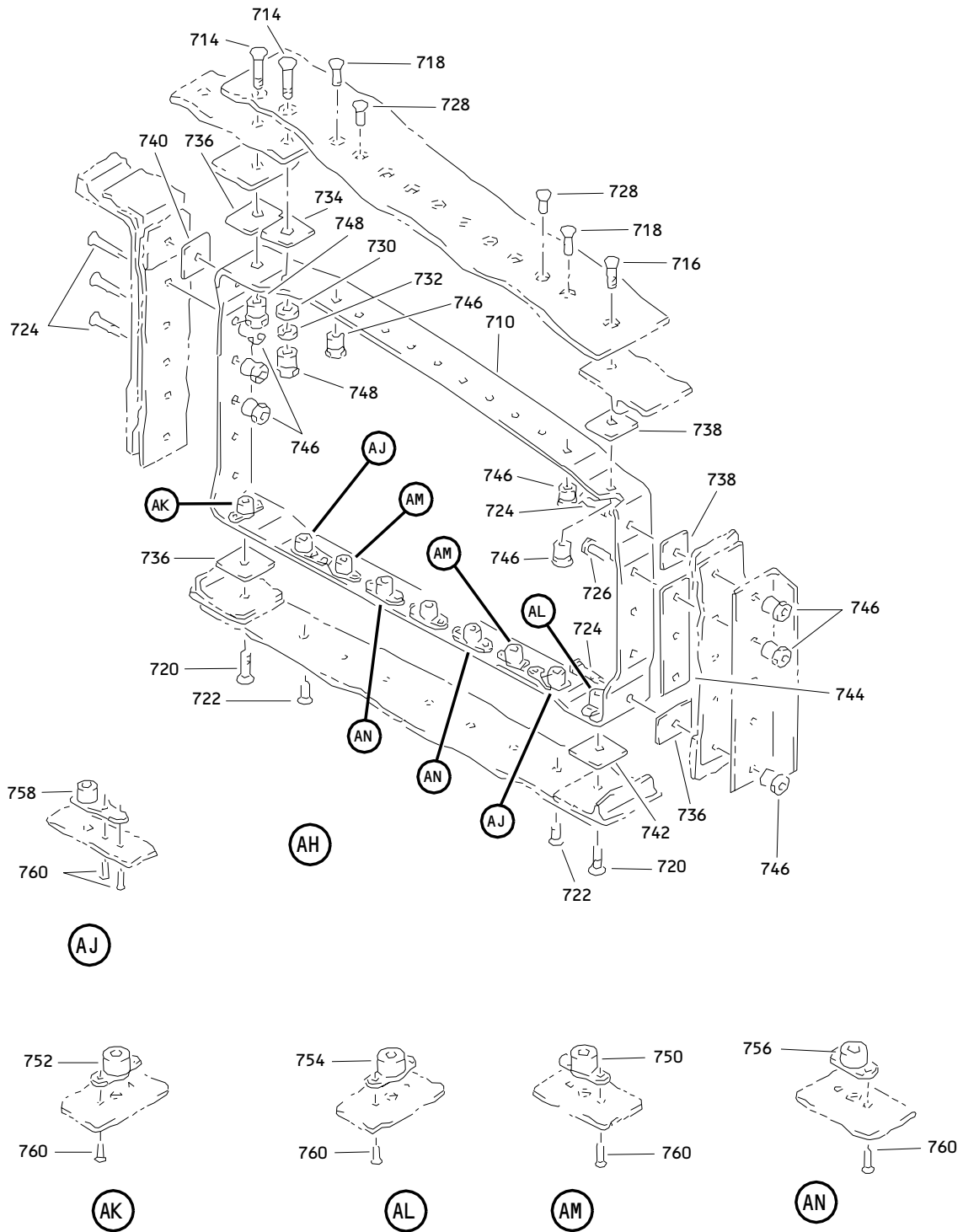
ILLUSTRATED PARTS LIST  
 01.101 Page 1054R  
 Mar 01/05



Inboard Trailing Edge Flap Assembly  
 Figure 7 (Sheet 13)

**57-53-27**

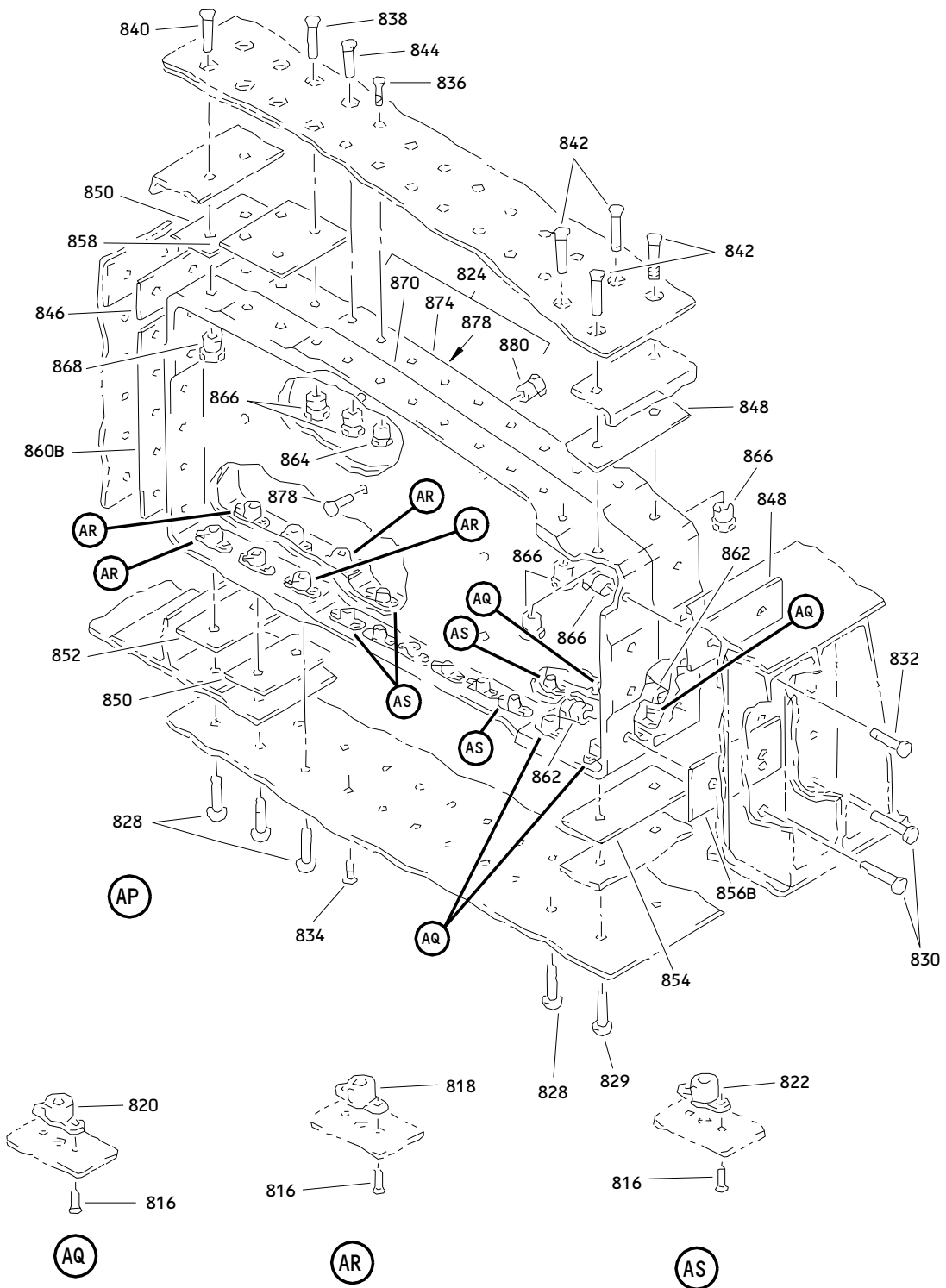
ILLUSTRATED PARTS LIST  
 01.101 Page 1054S  
 Mar 01/05



Inboard Trailing Edge Flap Assembly  
 Figure 7 (Sheet 14)

**57-53-27**

ILLUSTRATED PARTS LIST  
 01.101 Page 1054T  
 Mar 01/05

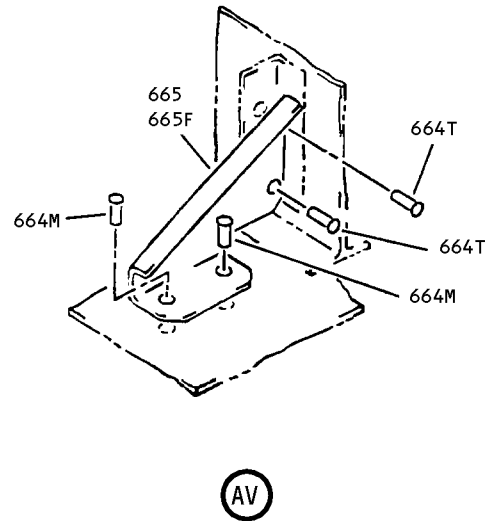
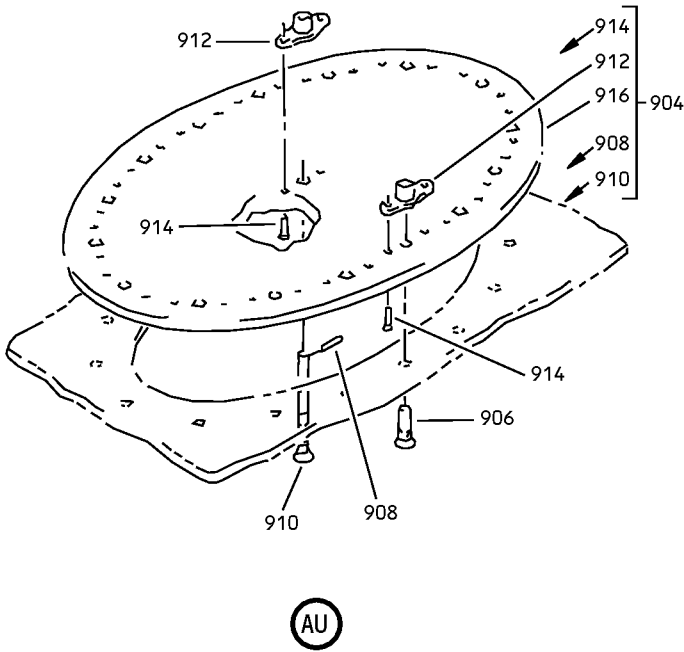
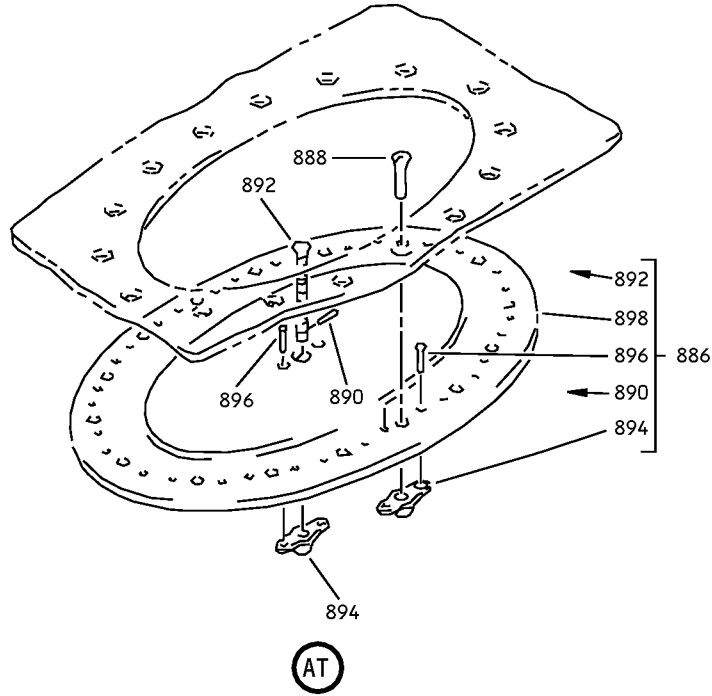


Inboard Trailing Edge Flap Assembly  
 Figure 7 (Sheet 15)

**57-53-27**

ILLUSTRATED PARTS LIST  
 01.101 Page 1054U  
 Mar 01/05





Inboard Trailing Edge Flap Assembly  
 Figure 7 (Sheet 16)

**57-53-27**

ILLUSTRATED PARTS LIST  
 01.101 Page 1054V  
 Mar 01/05


**BOEING**  
 COMPONENT  
 MAINTENANCE MANUAL

FIG. & ITEM	PART NO.	AIRLINE PART NUMBER	NOMENCLATURE 1234567	EFF CODE	QTY PER ASSY
07- -1	113T2201-37SP		FLAP ASSY-INBD TE FLAP MAIN (LH)	Y	RF
-1A	113T2201-39SP		FLAP ASSY-INBD TE FLAP MAIN (LH)	AA	RF
-1B	113T2201-41SP		DELETED		
-1C	113T2201-401SP		FLAP ASSY-INBD TE FLAP MAIN (LH)	AE	RF
-1D	113T2201-403G		FLAP ASSY-INBD TE FLAP MAIN (LH)	AG	RF
-1E	113T2201-45G		DELETED		
-1F	113T2201-47G		DELETED		
-1G	113T2201-41G		DELETED		
-1H	113T2201-49G		DELETED		
-1J	113T2201-405G		DELETED		
-1K	113T2201-45SP		FLAP ASSY-INBD TE FLAP MAIN (LH)	AJ	RF
-1L	113T2201-47SP		FLAP ASSY-INBD TE FLAP MAIN (LH)	AL	RF
-1M	113T2201-41SP		FLAP ASSY-INBD TE FLAP MAIN (LH)	AC	RF
-1N	113T2201-49SP		FLAP ASSY-INBD TE FLAP MAIN (LH)	AN	RF
-1P	113T2201-405SP		FLAP ASSY-INBD TE FLAP MAIN (LH)	AQ	RF
-5	113T2201-38SP		FLAP ASSY-INBD TE FLAP MAIN (RH)	Z	RF
-5A	113T2201-40SP		FLAP ASSY-INBD TE FLAP MAIN (RH)	AB	RF
-5B	113T2201-42SP		DELETED		
-5C	113T2201-402SP		FLAP ASSY-INBD TE FLAP MAIN (RH)	AF	RF
-5D	113T2201-404G		FLAP ASSY-INBD TE FLAP MAIN (RH)	AH	RF
-5E	113T2201-46G		DELETED		
-5F	113T2201-48G		DELETED		
-5G	113T2201-42G		DELETED		
-5H	113T2201-50G		DELETED		
-5J	113T2201-406G		DELETED		
-5K	113T2201-46SP		FLAP ASSY-INBD TE FLAP MAIN (RH)	AK	RF
-5L	113T2201-48SP		FLAP ASSY-INBD TE FLAP MAIN (RH)	AM	RF
-5M	113T2201-42SP		FLAP ASSY-INBD TE FLAP MAIN (RH)	AD	RF

57-53-27

 ILLUSTRATED PARTS LIST  
 01.101 Page 1054W  
 Mar 01/05

FIG. & ITEM	PART NO.	AIRLINE PART NUMBER	NOMENCLATURE 1234567	EFF CODE	QTY PER ASSY
07- -5N	113T2201-50SP		FLAP ASSY-INBD TE FLAP MAIN (RH)	AP	RF
-5P	113T2201-406SP		FLAP ASSY-INBD TE FLAP MAIN (RH)	AR	RF
8	113T2106-5		.WASHER-COLLAR FTG	Y-AR	AR
10	113T2106-7		.WASHER-COLLAR FTG	Y-AR	1
12	113T2106-8		.WASHER-COLLAR FTG	Y-AR	1
14	113T2106-6		.NUT-COLLAR FTG	Y-AR	1
16	113T2252-5		.FITTING ASSY-COLLAR (PRE SB 767-57A0066R3)	Y,AA, AC,AJ ,AN	1
-16A	113T2252-401		.FITTING ASSY-COLLAR	AE,AG ,AL,A Q	1
-16B	113T2252-13		.FITTING ASSY-COLLAR (OPT ITEM 16C) (POST SB 767-57A0066R3)	Y,AA, AC,AJ ,AN	1
-16C	113T2252-401		.FITTING ASSY-COLLAR (OPT ITEM 16B) (POST SB 767-57A0066R3)	Y,AA, AC,AJ ,AN	1
-18	113T2252-6		.FITTING ASSY-COLLAR (PRE SB 767-57A0066R3)	Z,AB, AD,AK ,AP	1
-18A	113T2252-402		.FITTING ASSY-COLLAR	AF,AH ,AM,A R	1
-18B	113T2252-14		.FITTING ASSY-COLLAR (OPT ITEM 18C) (POST SB 767-57A0066R3)	Z,AB, AD,AK ,AP	1
-18C	113T2252-402		.FITTING ASSY-COLLAR (OPT ITEM 18B) (POST SB 767-57A0066R3)	Z,AB, AD,AK ,AP	1

# 57-53-27

 ILLUSTRATED PARTS LIST  
 01.101 Page 1054X  
 Mar 01/05


**BOEING**  
 COMPONENT  
 MAINTENANCE MANUAL

FIG. & ITEM	PART NO.	AIRLINE PART NUMBER	NOMENCLATURE 1234567	EFF CODE	QTY PER ASSY
07-20	113T2252-3		..FITTING- (USED ON ITEM 16)	Y,AA, AC,AJ ,AN	1
-20A	113T2252-405		..FITTING- (USED ON ITEMS 16A, 16C)	Y,AA, AC,AE ,AG,A J,AL, AN,AQ	1
-20B	113T2252-11		..FITTING- (USED ON ITEM 16B)	Y,AA, AC,AJ ,AN	1
-22	113T2252-4		..FITTING- (USED ON ITEM 18)	Z,AB, AD,AK ,AP	1
-22A	113T2252-406		..FITTING- (USED ON ITEMS 18A, 18C)	Z,AB, AD,AF ,AH,A K,AM, AP,AR	1
-22B	113T2252-12		..FITTING- (USED ON ITEM 18B)	Z,AB, AD,AK ,AP	1
24	113T2252-1		..FITTING- (USED ON ITEM 16)	Y,AA, AC,AJ ,AN	1
-24A	113T2252-403		..FITTING- (USED ON ITEMS 16A, 16C)	Y,AA, AC,AE ,AG,A J,AL, AN,AQ	1
-24B	113T2252-9		..FITTING- (USED ON ITEM 16B)	Y,AA, AC,AJ ,AN	1

57-53-27

 ILLUSTRATED PARTS LIST  
 01.101 Page 1054Y  
 Mar 01/05

FIG. & ITEM	PART NO.	AIRLINE PART NUMBER	NOMENCLATURE 1234567	EFF CODE	QTY PER ASSY
07- -26	113T2252-2		..FITTING- (USED ON ITEM 18)	Z,AB, AD,AK ,AP	1
-26A	113T2252-404		..FITTING- (USED ON ITEMS 18A, 18C)	Z,AB, AD,AF ,AH,A K,AM, AP,AR	1
-26B	113T2252-10		..FITTING- (USED ON ITEM 18B)	Z,AB, AD,AK ,AP	1
28	113T1256-35		.SEAL-COLLAR FTG (OPT ITEM 28A)	Y-AR	1
-28A	113T1256-45		.SEAL-COLLAR FTG (OPT ITEM 28)	Y-AR	1
30	113T1256-36		.SEAL-COLLAR FTG (OPT ITEM 30A)	Y-AR	1
-30A	113T1256-47		.SEAL-COLLAR FTG (OPT ITEM 30)	Y-AR	1
-32	113T2202-53		.SEAL INSTL-INBD (FOR DETAILS SEE FIG. 3)	Y,AA, AC,AE ,AG,A J,AL, AN,AQ	1
-34	113T2202-54		.SEAL INSTL-INBD (FOR DETAILS SEE FIG. 3)	Z,AB, AD,AF ,AH,A K,AM, AP,AR	1
-36	113T2202-3		.SEAL INSTL-OUTBD (FOR DETAILS SEE FIG. 3)	Y,AA, AC,AE ,AG,A J,AL, AN,AQ	1
-38	113T2202-4		.SEAL INSTL-OUTBD (FOR DETAILS SEE FIG. 3)	Z,AB, AD,AF ,AH,A K,AM, AP,AR	1

# 57-53-27

 ILLUSTRATED PARTS LIST  
 01.101 Page 1054Z  
 Mar 01/05


**BOEING**  
 COMPONENT  
 MAINTENANCE MANUAL

FIG. & ITEM	PART NO.	AIRLINE PART NUMBER	NOMENCLATURE 1234567	EFF CODE	QTY PER ASSY
07-40	113T2204-15		.FRANGIBLE ASSY	Y,AA, AC,AE ,AG,A J,AL, AN,AQ	1
-42	113T2204-16		.FRANGIBLE ASSY	Z,AB, AD,AF ,AH,A K,AM, AN,AR	1
44	BACB30NN3K6		ATTACHING PARTS .BOLT	Y-AR	56
46	BACS40R08C374F		DELETED		
46A	BACS40R008C374F		.SHIM	Y-AR	1
48	BACS40R12C75F		DELETED		
48A	BACS40R012C075F		.SHIM	Y-AR	1
50	BACS40R10C10F		DELETED		
50A	BACS40R010C010F		.SHIM	Y-AR	1
51	BACS40R010B012P		.SHIM	Y-AR	1
			-----*-----		
52	BACN10JQ32		..NUTPLATE	Y-AR	8
54	NS103191-02-4		..NUTPLATE- (V80539) (SPEC BACN10KE3B4) (OPT RMF9213-4-3 (V72962)) (OPT F51750-3-4 (V15653)) (OPT BRFR220A3-4 (V52828))	Y-AR	52
56	NS103194-02-4		..NUTPLATE- (V80539) (SPEC BACN10KE3E4) (OPT RMF9216-4-3 (V72962)) (OPT F51752-3-4 (V15653)) (OPT BRFR120A3-4 (V52828))	Y-AR	1
58	BACR15BA3AD		ATTACHING PARTS ..RIVET- (SIZE DETERMINE ON INST)	Y-AR	122
			-----*-----		
60	BACB30LJ4H5		.BOLT	Y-AR	1
62	113T2201-3		.SHIM	Y-AR	1

57-53-27

 ILLUSTRATED PARTS LIST  
 01.101 Page 1055  
 Mar 01/05

FIG. & ITEM	PART NO.	AIRLINE PART NUMBER	NOMENCLATURE 1234567	EFF CODE	QTY PER ASSY
07-					
64	BACW10BP4APU		.WASHER	Y-AR	1
66	113T2279-1		.STOP-OVER TRAVEL	Y-AR	1
68	BACB30LE5U19		.BOLT	Y-AR	1
70	BACB30LE5U18		.BOLT	Y-AR	1
72	BACW10BP5ACU		.WASHER	Y-AR	2
74	BACW10BP5DP		.WASHER	Y-AR	2
76	BACB28AK05-075		.BUSHING	Y-AR	1
78	BACB28AK05-079		.BUSHING	Y-AR	1
80	H39953-5		.NUT- (V15653) (SPEC BACN10HR5CS) (OPT BMN5024CPD3-5 (V97928)) (OPT 67832AS524 (V56878)) (OPT BMN5024CPD3-5 (V97928)) (OPT BH00303-5 (V27238)) (OPT SL7059C524 (V11815)) (OPT BH003035 (V27238)) (OPT BMN5024CPD35 (V97928)) (OPT CR59085 (V62554)) (OPT 109LH90315 (V72962)) (OPT 67832AS5 (V56878)) (OPT BMN10HRRCPD3-5 (V97928))	Y-AR	2

**57-53-27**

 ILLUSTRATED PARTS LIST  
 01.101 Page 1056  
 Mar 01/05

**BOEING**  
 COMPONENT  
 MAINTENANCE MANUAL

FIG. & ITEM	PART NO.	AIRLINE PART NUMBER	NOMENCLATURE 1234567	EFF CODE	QTY PER ASSY
07-82	113T2276-5		.TRACK ASSY-OUTBD	Y,AA, AC,AE ,AG,A J,AL, AN,AQ	1
-84	113T2276-6		.TRACK ASSY-OUTBD	Z,AB, AD,AF ,AH,A K,AM, AP,AR	1
86	113T2104-1		..BUSHING	Y-AR	1
88	113T2104-3		..BUSHING	Y-AR	1
90	113T2104-5		..BUSHING	Y-AR	1
92	BACB28AP09P018		..BUSHING	Y-AR	1
94	113T2276-7		..TRACK- (OPT ITEMS 94A, 94B)	Y,AA, AC,AE ,AG,A J,AL, AN,AQ	1
-94A	113T2276-11		..TRACK- (OPT ITEMS 94, 94B)	Y,AA, AC,AE ,AG,A J,AL, AN,AQ	1
-94B	113T2276-15		..TRACK- (OPT ITEMS 94, 94A)	Y,AA, AC,AE ,AG,A J,AL, AN,AQ	1

**57-53-27**

ILLUSTRATED PARTS LIST  
 01.101 Page 1056A  
 Mar 01/05



FIG. & ITEM	PART NO.	AIRLINE PART NUMBER	NOMENCLATURE 1234567	EFF CODE	QTY PER ASSY
07-96	113T2276-8		..TRACK- (OPT ITEMS 96A, 96B)	Z,AB, AD,AF ,AH,A K,AM, AP,AR	1
-96A	113T2276-12		..TRACK- (OPT ITEMS 96, 96B)	Z,AB, AD,AF ,AH,A K,AM, AP,AR	1
-96B	113T2276-16		..TRACK- (OPT ITEMS 96, 96A)	Z,AB, AD,AF ,AH,A K,AM, AP,AR	1
98	BACB30LJ4H5		.BOLT	Y-AR	1
100	113T2201-3		.SHIM	Y-AR	1
102	BACW10BP4APU		.WASHER	Y-AR	1
104	113T2279-1		.STOP-OVERTRAVEL	Y-AR	1
106	BACB30LE5U19		.BOLT	Y-AR	1
108	BACB30LE5U18		.BOLT	Y-AR	1
110	BACW10BP5ACU		.WASHER	Y-AR	2
112	BACW10BP5DP		.WASHER	Y-AR	2
114	BACB28AK05-075		.BUSHING	Y-AR	1
116	BACB28AK05-079		.BUSHING	Y-AR	1

# 57-53-27

 ILLUSTRATED PARTS LIST  
 01.101 Page 1056B  
 Mar 01/05


**BOEING**  
 COMPONENT  
 MAINTENANCE MANUAL

FIG. & ITEM	PART NO.	AIRLINE PART NUMBER	NOMENCLATURE 1234567	EFF CODE	QTY PER ASSY
07-118	H39953-5		.NUT- (V15653) (SPEC BACN10HR5CS) (OPT BMN5024CPD3-5 (V97928)) (OPT 67832AS524 (V56878)) (OPT BMN5024CPD3-5 (V97928)) (OPT BH00303-5 (V27238)) (OPT SL7059C524 (V11815)) (OPT BH003035 (V27238)) (OPT BMN5024CPD35 (V97928)) (OPT CR59085 (V62554)) (OPT 109LH90315 (V72962)) (OPT 67832AS5 (V56878)) (OPT BMN10HRRCPD3-5 (V97928))	Y-AR	2
120	113T2272-5		.TRACK ASSY-INBD	Y,AA, AC,AE ,AG,A J,AL, AN,AQ	1
-122	113T2272-6		.TRACK ASSY-INBD	Z,AB, AD,AF ,AH,A K,AM, AP,AR	1
124	113T2104-1		..BUSHING	Y-AR	1
126	113T2104-3		..BUSHING	Y-AR	1
128	113T2104-5		..BUSHING	Y-AR	1
130	BACB28AP09P018		..BUSHING	Y-AR	1
132	113T2272-7		..TRACK- (OPT ITEMS 132A, 132B)	Y,AA, AC,AE ,AG,A J,AL, AN,AQ	1

57-53-27

 ILLUSTRATED PARTS LIST  
 01.101 Page 1056C  
 Mar 01/05

FIG. & ITEM	PART NO.	AIRLINE PART NUMBER	NOMENCLATURE 1234567	EFF CODE	QTY PER ASSY
07- -132A	113T2272-11		..TRACK- (OPT ITEMS 132, 132B)	Y,AA, AC,AE ,AG,A J,AL, AN,AQ	1
-132B	113T2272-15		..TRACK- (OPT ITEMS 132, 132A)	Y,AA, AC,AE ,AG,A J,AL, AN,AQ	1
134	113T2272-8		..TRACK- (OPT ITEMS 134A, 134B)	Z,AB, AD,AF ,AH,A K,AM, AP,AR	1
-134A	113T2272-12		..TRACK- (OPT ITEMS 134, 134B)	Z,AB, AD,AF ,AH,A K,AM, AP,AR	1
-134B	113T2272-16		..TRACK- (OPT ITEMS 134, 134A)	Z,AB, AD,AF ,AH,A K,AM, AP,AR	1
136	BACB30LJ4U21		.BOLT	Y-AR	2
138	AN960-416		.WASHER	Y-AD, AN,AP	2
-138A	NAS1149E0463P		.WASHER	AE-AM ,AQ,A R	2
140	AN960C416		.WASHER	Y-AD, AN-AP	2
-140A	NAS1149E0463R		.WASHER	AE-AM ,AQ,A R	2
142	BACB28AK04-037		.BUSHING	Y-AR	2
144	NAS1805-4		.NUT	Y-AD, AN-AP	2
-144A	NAS1805-4L		.NUT	AE-AM ,AQ,A R	2
146	S012T236-205		DELETED		
-146A	S012T236-205		DELETED		

# 57-53-27

 ILLUSTRATED PARTS LIST  
 01.101 Page 1056D  
 Mar 01/05


**BOEING**  
 COMPONENT  
 MAINTENANCE MANUAL

FIG. & ITEM	PART NO.	AIRLINE PART NUMBER	NOMENCLATURE 1234567	EFF CODE	QTY PER ASSY
07-146B	SDR4-135A1-501		.LINK ASSY- (V77896) (SPEC S012T236-200) (OPT ITEM 146C)	AE-AM ,AQ,A R	2
-146C	SDR4-135A1-502		.LINK ASSY- (V77896) (SPEC S012T236-205) (OPT ITEM 146B)	AE-AM ,AQ,A R	2
-146D	SDR4-135A1-502		.LINK ASSY- (V77896) (SPEC S012T236-205)	Y-AD, AN-AP	2
148	AS24665-153		.PIN-COTTER	Y-AR	2
150	BACB30LJ5DU19		.BOLT	Y-AR	2
152	AN960-516		.WASHER	Y-AD, AN-AP	2
-152A	NAS1149E0563P		.WASHER	AE-AM ,AQ,A R	2
154	AN960C516		.WASHER	Y-AD, AN-AP	2
-154A	NAS1149E0563R		.WASHER	AE-AM ,AQ,A R	2
156	BACB28AK05-034		.BUSHING	Y-AR	2
158	BACN10JD5ASU		.NUT	Y-AR	2
160	113T2401-5		.ROD ASSY-PUSH	Y-AR	1
162	SM5-6C1-502		..BEARING- (V77896) (SPEC S012T236-7)	Y-AR	2
164	NAS513-6		..WASHER	Y-AR	2
166	NAS509-6C		..NUT	Y-AR	2
168	113T2401-6		..TUBE ASSY	Y-AR	1
170	113T2401-4		...INSERT	Y-AR	2
172	113T2401-7		...TUBE	Y-AR	1
174	113T2108-7		.BOLT	Y-AR	2
176	113T2106-11		.WASHER	Y-AR	2
178	BACW10BP7AP		.WASHER	Y-AR	2
180	BACW10BP8ACU		.WASHER	Y-AR	2
182	113T1256-34		.SEAL- (OPT ITEM 182A)	Y-AR	4

57-53-27

 ILLUSTRATED PARTS LIST  
 01.101 Page 1056E  
 Mar 01/05

FIG. & ITEM	PART NO.	AIRLINE PART NUMBER	NOMENCLATURE 1234567	EFF CODE	QTY PER ASSY
07- -182A	113T1256-50		.SEAL- (OPT ITEM 182)	Y-AR	4
184	113T2106-9		.NUT	Y-AR	2
186	113T2403-7		.BELLCRANK ASSY	Y,AA, AC,AE ,AG,A J,AL, AN,AQ	2
-188	113T2403-8		.BELLCRANK ASSY	Z,AB, AD,AF ,AH,A K,AM, AP,AR	2
190	BACB28AM06B018		..BUSHING	Y-AR	1
192	BACB28AP04P018		..BUSHING	Y-AR	1
194	BACB28AM07B016		..BUSHING	Y-AR	1
196	BACB28AP05P016		..BUSHING	Y-AR	1
198	113T2104-17		..BUSHING	Y-AR	2
200	113T2106-12		..WASHER-SPECIAL	Y-AR	2
202	MS15001-1		..FITTING	Y-AR	2
204	113T2403-9		..BELLCRANK	Y,AA, AC,AE ,AG,A J,AL, AN,AQ	1
-206	113T2403-10		..BELLCRANK	Z,AB, AD,AF ,AH,A K,AM, AP,AR	1

# 57-53-27

 ILLUSTRATED PARTS LIST  
 01.101 Page 1056F  
 Mar 01/05


**BOEING**  
 COMPONENT  
 MAINTENANCE MANUAL

FIG. & ITEM	PART NO.	AIRLINE PART NUMBER	NOMENCLATURE 1234567	EFF CODE	QTY PER ASSY
07-208	113T2270-11		.FITTING ASSY-HINGE INBD	Y-AD, AN-AP	1
-208A	113T2270-401		.FITTING ASSY-HINGE INBD	AE-AM ,AQ,A R	1
			ATTACHING PARTS		
210	BACB30MR5K24		.BOLT	Y-AR	1
212	BACB30MR5K27		.BOLT	Y-AR	2
214	BACB30MR5K29		.BOLT	Y-AR	1
216	BACB30MR7K30		.BOLT	Y-AD, AJ-AP	1
-216A	BACB30MR5K30		.BOLT	AE-AH ,AQ,A R	1
218	BACB30MR7K31		.BOLT	Y-AD, AJ-AP	1
-218A	BACB30MR5K31		.BOLT	AE-AH ,AQ,A R	1
220	K29913-5		.WASHER- (V15653) (SPEC BACW10CA5CC) (OPT 70191-5 (V56878)) (OPT 922008-5 (V60119)) (OPT 942008-5 (V60119))	Y-AR	4
222	K29646-5		.WASHER- (V15653) (SPEC BACW10CA5CV) (OPT 70188-5 (V56878)) (OPT 922007-5 (V60119)) (OPT 942007-5 (V60119))	Y-AR	4

57-53-27

 ILLUSTRATED PARTS LIST  
 01.101 Page 1056G  
 Mar 01/05

FIG. & ITEM	PART NO.	AIRLINE PART NUMBER	NOMENCLATURE 1234567	EFF CODE	QTY PER ASSY
07-224	K29913-7		.WASHER- (V15653) (SPEC BACW10CA7CC) (OPT 70191-7 (V56878)) (OPT 922008-7 (V60119)) (OPT 942008-7 (V60119))	Y-AR	2
226	K29646-7		.WASHER- (V15653) (SPEC BACW10CA7CV) (OPT 70188-7 (V56878)) (OPT 922007-7 (V60119)) (OPT 942007-7 (V60119))	Y-AR	2
228	BACS40R08E15F		.SHIM	Y-AR	AR
230	113T2289-4		.FILLER-RADIUS	Y-AR	4
232	113T2289-5		.FILLER-RADIUS	Y-AR	2
234	BACR15BA6AD		.RIVET- (SIZE DETERMINE ON INST)	Y-AR	4
236	NAS1804-5		.NUT	Y-AD, AN-AP	4
-236A	NAS1805-5L		.NUT	AE-AM ,AQ,A R	4
238	NAS1804-7		.NUT	Y-AD, AN-AP	2
-238A	NAS1805-7L		.NUT	AE-AM ,AQ,A R	2
240	113T2104-13		-----*----- ..BUSHING	Y-AR	1
242	BACB28AM09B027A		..BUSHING	Y-AD, AN-AP	1
-242A	BACB28AT09B027C		..BUSHING	AE-AM ,AQ,A R	1

57-53-27

 ILLUSTRATED PARTS LIST  
 01.101 Page 1056H  
 Mar 01/05


**BOEING**  
 COMPONENT  
 MAINTENANCE MANUAL

FIG. & ITEM	PART NO.	AIRLINE PART NUMBER	NOMENCLATURE 1234567	EFF CODE	QTY PER ASSY
07-					
244	113T2270-7		..FILLER	Y-AR	1
246	113T2270-5		..PLATE-COVER LH	Y-AR	1
-248	113T2270-6		..PLATE-COVER RH	Y-AR	1
-250	113T2270-12		..FITTING	Y-AD, AN-AP	1
-250A	113T2270-403		..FITTING	AE-AM ,AQ,A R	1
252	BACB30LE5U15		.BOLT	Y-AR	1
254	BACW10BP5CD		.WASHER	Y-AR	1
256	BACW10BP5APU		.WASHER	Y-AR	1
258	BACB28AK05-020		.BUSHING- (SELECT FROM)	Y-AR	AR
-258A	BACB28AK05-022		.BUSHING- (SELECT FROM)	Y-AR	AR
-258B	BACB28AK05-025		.BUSHING- (SELECT FROM)	Y-AR	AR
260	H39953-5		.NUT- (V15653) (SPEC BACN10HR5CS) (OPT BMN5024CPD3-5 (V97928)) (OPT 67832AS524 (V56878)) (OPT BMN5024CPD3-5 (V97928)) (OPT BH00303-5 (V27238)) (OPT SL7059C524 (V11815)) (OPT BH003035 (V27238)) (OPT BMN5024CPD35 (V97928)) (OPT CR59085 (V62554)) (OPT 109LH90315 (V72962)) (OPT 67832AS5 (V56878)) (OPT BMN10HRRCPD3-5 (V97928))	Y-AR	1

57-53-27

 ILLUSTRATED PARTS LIST  
 01.101 Page 1056I  
 Mar 01/05



FIG. & ITEM	PART NO.	AIRLINE PART NUMBER	NOMENCLATURE 1234567	EFF CODE	QTY PER ASSY
07-					
266	113T2278-1		.STRUT ASSY-SIDE	Y-AR	1
-266A	113T2278-3		DELETED		
268	113T2280-1		..FITTING ASSY	Y-AR	2
270	BACB28AM07B008A		...BUSHING	Y-AR	1
272	BACB28AP05P008		...BUSHING	Y-AR	1
274	113T2280-2		...FITTING	Y-AR	1
276	NAS509-6		..NUT	Y-AR	2
278	NAS513-6		..WASHER	Y-AR	2
280	113T2278-2		..TUBE ASSY	Y-AR	1
282	HL10VAZ5-12		...BOLT- (V60516) (SPEC BACB30MY5K12) (OPT B30MY5K12 (V97928))	Y-AR	2
284	HL70-5		...COLLAR- (V5M902) (SPEC BACC30M5) (OPT HL70-5 (V73197)) (OPT HL70-5 (V92215)) (OPT 66014-5 (V56878)) (OPT HL70-5 (V56878))	Y-AR	2
286	113T2280-4		...INSERT	Y-AR	2
288	113T2280-3		...TUBE	Y-AR	1
290	113T2271-33		.FITTING ASSY-HINGE OUTBD (MATCHED SET) (PRE SB 767-57A0076)	Y,AA, AC	1

# 57-53-27

 ILLUSTRATED PARTS LIST  
 01.101 Page 1056J  
 Mar 01/05


**BOEING**  
 COMPONENT  
 MAINTENANCE MANUAL

FIG. & ITEM	PART NO.	AIRLINE PART NUMBER	NOMENCLATURE 1234567	EFF CODE	QTY PER ASSY
07-					
-290A	113T2271-401		.FITTING ASSY-HINGE OUTBD (MATCHED SET)	AE,AG	1
-290B	113T2271-43		.FITTING ASSY-HINGE OUTBD	AJ,AL ,AN	1
-290C	113T2271-19		DELETED		
R -290D	113T2271-419		.FITTING ASSY-HINGE OUTBD	AQ	1
R -290E	113T2271-43		.FITTING ASSY-HINGE OUTBD (POST SB 767-57A0076)	Y,AA, AC	1
-292	113T2271-34		.FITTING ASSY-HINGE OUTBD (MATCHED SET) (PRE SB 767-57A0076)	Z,AB, AD	1
-292A	113T2271-402		.FITTING ASSY-HINGE OUTBD (MATCHED SET)	AF,AH	1
-292B	113T2271-44		.FITTING ASSY-HINGE OUTBD	AK,AM ,AP	1
-292C	113T2271-20		DELETED		
R -292D	113T2271-420		.FITTING ASSY-HINGE OUTBD	AR	1
R -292E	113T2271-44		.FITTING ASSY-HINGE OUTBD (POST SB 767-57A0076)	Z,AB, AD	1
294	BACB30MR5K20		ATTACHING PARTS .BOLT	Y-AD, AN-AP	2
-294A	BACB30LE5K20		.BOLT	AE-AM ,AQ,A R	2
296	BACB30MR5K19		.BOLT	Y-AD, AN-AP	2
-296A	BACB30LE5K19		.BOLT	AE-AM ,AQ,A R	2

57-53-27

 ILLUSTRATED PARTS LIST  
 01.101 Page 1056K  
 Mar 01/05

FIG. & ITEM	PART NO.	AIRLINE PART NUMBER	NOMENCLATURE 1234567	EFF CODE	QTY PER ASSY
07-					
298	BACW10BP5CD		.WASHER	Y-AR	4
300	BACW10BP5DP		.WASHER	Y-AR	4
302	BACS40R15D17F		.SHIM	Y-AD, AN-AP	2
-302A	BACS40R015D017F		.SHIM	AE-AM ,AQ,A R	2
304	BACS40R15D15F		.SHIM	Y-AD, AN-AP	2
-304A	BACS40R015D015F		.SHIM	AE-AM ,AQ,A R	2
306	NAS1804-5		.NUT	Y-AD, AN-AP	4
-306A	NAS1805-5L		.NUT	AE-AM ,AQ,A R	4
			-----*		
308	113T2271-15		..FITTING ASSY-HINGE (USED ON ITEM 290)	Y,AA, AC	1
-308A	113T2271-403		..FITTING ASSY-HINGE	AE,AG	1
-308B	113T2271-39		..FITTING ASSY-HINGE (USED ON ITEMS 290B, 290D)	Y,AA, AC,AJ ,AL,A N	1
-308C	113T2271-415		..FITTING ASSY-HINGE	AQ	1
-310	113T2271-16		..FITTING ASSY-HINGE (USED ON ITEM 292)	Z,AB, AD	1
-310A	113T2271-404		..FITTING ASSY-HINGE	AF,AH	1
-310B	113T2271-40		..FITTING ASSY-HINGE (USED ON ITEMS 292B, 292D)	Z,AB, AD,AK ,AM,A P	1
-310C	113T2271-416		..FITTING ASSY-HINGE	AR	1
312	113T2271-25		..FITTING ASSY-HINGE (USED ON ITEM 290)	Y,AA, AC	1
-312A	113T2271-407		..FITTING ASSY-HINGE	AE,AG	1
-312B	113T2271-41		..FITTING ASSY-HINGE (USED ON ITEMS 290B, 290D)	Y,AA, AC,AJ ,AL,A N	1
-312C	113T2271-417		..FITTING ASSY-HINGE	AQ	1
-314	113T2271-26		..FITTING ASSY-HINGE (USED ON ITEM 292)	Z,AB, AD	1
-314A	113T2271-408		..FITTING ASSY-HINGE	AF,AH	1

57-53-27

 ILLUSTRATED PARTS LIST  
 01.101 Page 1056L  
 Mar 01/05


**BOEING**  
 COMPONENT  
 MAINTENANCE MANUAL

FIG. & ITEM	PART NO.	AIRLINE PART NUMBER	NOMENCLATURE 1234567	EFF CODE	QTY PER ASSY
07- -314B	113T2271-42		..FITTING ASSY-HINGE (USED ON ITEMS 292B, 292D)	Z,AB, AD,AK ,AM,A P	1
-314C 316	113T2271-418 BACB28AM09B036A		..FITTING ASSY-HINGE ...BUSHING- (USED ON ITEMS 308, 308B, 310, 310B)	AR Y-AD, AJ-AP	1 1
-316A	BACB28AT09B036C		...BUSHING- (USED ON ITEMS 308A, 308C, 310A, 310C)	AE-AH ,AQ,A R	1
318	113T2104-21		...BUSHING- (USED ON ITEMS 312, 312A, 312B, 312C, 314, 314A, 314B, 314C)	Y-AR	1
320	ADW05V301NC		...BEARING- (V15860) (SPEC BACB10FA05GC) (OPT SWKRS05-350SC (V81376)) (OPT KSC152200BZ05GC (V50632)) (OPT KWDB05-35 (V97613)) (OPT WES05FAGC (V73134)) (OPT WHTFA05VC (VS0352)) (USED ON ITEMS 312, 312A, 312B, 312C, 314, 314A, 314B, 314C)	Y-AR	1
322	113T2104-9		...BUSHING	Y-AR	1
324	113T2104-8		...BUSHING	Y-AR	1
326	113T2106-14		...WASHER-SPECIAL	Y-AR	1
328	113T2106-13		...WASHER-SPECIAL	Y-AR	1
329	113T2271-21		...FILLER- (USED ON ITEMS 312A, 312C, 314A, 314C)	AE-AM ,AQ,A R	1
329L	113T2271-22		...FILLER- (USED ON ITEMS 312A, 314C, 314A, 314C)	AE-AM ,AQ,A R	1
330	113T2271-17		...FITTING- (USED ON ITEM 308)	Y,AA, AC	1
-330A	113T2271-405		...FITTING- (USED ON ITEM 308A)	AE,AG	1

57-53-27

 ILLUSTRATED PARTS LIST  
 01.101 Page 1056M  
 Mar 01/05

FIG. & ITEM	PART NO.	AIRLINE PART NUMBER	NOMENCLATURE 1234567	EFF CODE	QTY PER ASSY
07- -330B	113T2271-35		...FITTING- (USED ON ITEM 308B)	Y,AA, AC,AJ ,AL,A N	1
-330C	113T2271-37		...FITTING- (USED ON ITEM 312B)	Y,AA, AC,AJ ,AL,A N	1
-330D	113T2271-411		...FITTING- (USED ON ITEM 308C)	AQ	1
-332	113T2271-18		...FITTING- (USED ON ITEM 310)	Z,AB, AD	1
-332A	113T2271-406		...FITTING- (USED ON ITEM 310A)	AF,AH	1
-332B	113T2271-36		...FITTING- (USED ON ITEM 310B)	Z,AB, AD,AK ,AM,A P	1
-332C	113T2271-38		...FITTING- (USED ON ITEM 314B)	Z,AB, AD,AK ,AM,A P	1
-332D	113T2271-412		...FITTING- (USED ON ITEM 310C)	AR	1
334	113T2271-27		...FITTING- (USED ON ITEM 312)	Y,AA, AC	1
-334A	113T2271-409		...FITTING- (USED ON ITEM 312A)	AE,AG	1
-334B	113T2271-413		...FITTING- (USED ON ITEM 312C)	AQ	1
-336	113T2271-28		...FITTING- (USED ON ITEM 314)	Z,AB, AD	1
-336A	113T2271-410		...FITTING- (USED ON ITEM 314A)	AF,AH	1
-336B	113T2271-414		...FITTING- (USED ON ITEM 314C)	AR	1
338	BACB30NT3K6		.BOLT	Y-AR	4
340	HL10VAZ6-5		.BOLT- (V60516) (SPEC BACB30MY6K5) (OPT B30MY6K5 (V97928))	Y-AD, AN-AP	5

# 57-53-27

 ILLUSTRATED PARTS LIST  
 01.101 Page 1056N  
 Mar 01/05


**BOEING**  
 COMPONENT  
 MAINTENANCE MANUAL

FIG. & ITEM	PART NO.	AIRLINE PART NUMBER	NOMENCLATURE 1234567	EFF CODE	QTY PER ASSY
07- -340A	HST10AG6-5		.BOLT- (V0PTK6) (SPEC BACB30VT6K5) (OPT HST10AG6-5 (V06725)) (OPT HST10AG6-5 (V56878)) (OPT HST10AG6-5 (V73197))	AE-AM ,AQ,A R	5
342	AN960JD10L		.WASHER	Y-AD, AN-AP	4
-342A	NAS1149D0332J		.WASHER	AE-AM ,AQ,A R	4
344	HL79-6		.COLLAR- (V5M902) (SPEC BACC30M6) (OPT HL79-6 (V73197)) (OPT HL79-6 (V92215)) (OPT 66014-6 (V56878)) (OPT HL79-6 (V56878))	Y-AD, AN-AP	5
-344A	HST79CY6		.COLLAR- (V73197) (SPEC BACC30BL6) (OPT HST79-6 (V92215)) (OPT HST79CY6 (V56878)) (OPT HST79CY6 (V5M902))	AE-AM ,AQ,A R	5

57-53-27

 ILLUSTRATED PARTS LIST  
 01.101 Page 10560  
 Mar 01/05

FIG. & ITEM	PART NO.	AIRLINE PART NUMBER	NOMENCLATURE 1234567	EFF CODE	QTY PER ASSY
07-346	113T2112-3		.STIFFENER	Y,AA, AC,AE ,AG,A J,AL, AN,AQ	1
-348	113T2112-4		.STIFFENER	Z,AB, AD,AF ,AH,A K,AM, AP,AR	1
-350	113T2290-5		.RIB INSTL-OUTBD	Y,AA, AC,AE ,AG,A J,AL, AN,AQ	1
-352	113T2290-6		.RIB INSTL-OUTBD	Z,AB, AD,AF ,AH,A K,AM, AP,AR	1
354	113T2275-7		..FITTING ASSY-TRACK SPRT	Y,AA, AC,AE ,AG,A J,AL, AN,AQ	1
-356	113T2275-8		..FITTING ASSY-TRACK SPRT	Z,AB, AD,AF ,AH,A K,AM, AP,AR	1
			ATTACHING PARTS		

**57-53-27**

 ILLUSTRATED PARTS LIST  
 01.101 Page 1056P  
 Mar 01/05


**BOEING**  
 COMPONENT  
 MAINTENANCE MANUAL

FIG. & ITEM	PART NO.	AIRLINE PART NUMBER	NOMENCLATURE 1234567	EFF CODE	QTY PER ASSY
07-358	HL11VAZ8-8		..BOLT- (V56878) (SPEC BACB30NW8K8) (OPT B30NW8K8 (V97928)) (OPT HL11VAZ8-8 (V73197)) (OPT HL11VAZ8-8 (V92215)) (OPT HL11VAZ8-8 (V97928)) (OPT L803-8K8 (V06725)) (OPT HL11VAZ8-8 (V0PTK6)) (OPT HL11VAZ8-8 (V60516))	Y-AR	1
360	HL11VAZ6-5		..BOLT- (V60516) (SPEC BACB30NW6K5) (OPT HL11V6-5 (V92215)) (OPT HL11V6-5 (V97928)) (OPT L803-6-5 (V06725)) (OPT B30NW6K5 (V97928)) (OPT HL11VAZ6-5 (V73197)) (OPT HL11VAZ6-5 (V92215)) (OPT HL11VAZ6-5 (V56878))	Y-AR	1

57-53-27

 ILLUSTRATED PARTS LIST  
 01.101 Page 1056Q  
 Mar 01/05



FIG. & ITEM	PART NO.	AIRLINE PART NUMBER	NOMENCLATURE 1234567	EFF CODE	QTY PER ASSY
07-					
362	BACB30NN4K9		..BOLT	Y-AR	1
364	BACB30NN3K6		..BOLT	Y-AR	1
366	BACS40R020A024A		..SHIM	Y-AR	2
368	HL79-8		..COLLAR- (V5M902) (SPEC BACC30M8) (OPT HL79-8 (V73197)) (OPT HL79-8 (V92215)) (OPT 66014-8 (V56878)) (OPT HL79-8 (V56878))	Y-AR	1
370	HL79-6		..COLLAR- (V5M902) (SPEC BACC30M6) (OPT HL79-6 (V73197)) (OPT HL79-6 (V92215)) (OPT 66014-6 (V56878)) (OPT HL79-6 (V56878))	Y-AR	1
372	BACR15FT6KE		..RIVET- (SIZE DETERMINE ON INST)	Y-AR	9
374	113T2321-1		..SHIM -----*-----	Y-AR	1
376	113T2104-4		...BUSHING	Y-AR	1
378	113T2104-6		...BUSHING	Y-AR	1
380	113T2104-2		...BUSHING	Y-AR	1
382	BACB28AP09P038		...BUSHING	Y-AR	1
384	113T2275-9		...FITTING	Y,AA, AC,AE ,AG,A J,AL, AN,AQ	1
-386	113T2275-10		...FITTING	Z,AB, AD,AF ,AH,A K,AM, AP,AR	1

57-53-27

 ILLUSTRATED PARTS LIST  
 01.101 Page 1056R  
 Mar 01/05


**BOEING**  
 COMPONENT  
 MAINTENANCE MANUAL

FIG. & ITEM	PART NO.	AIRLINE PART NUMBER	NOMENCLATURE 1234567	EFF CODE	QTY PER ASSY
07-388	HL11VAZ6-3		..BOLT- (V60516) (SPEC BACB30NW6K3) (OPT B30NW6K3 (V97928)) (OPT HL11VAZ6-3 (V73197)) (OPT HL11VAZ6-3 (V92215)) (OPT HL11VAZ6-3 (V97928)) (OPT L803-6K3 (V06725)) (OPT HL11VAZ6-3 (V0PTK6)) (OPT HL11VAZ6-3 (V56878))	Y-AR	2
390	HL11VAZ8-9		..BOLT- (V56878) (SPEC BACB30NW8K9) (OPT B30NW8K9 (V97928)) (OPT HL11VAZ8-9 (V73197)) (OPT HL11VAZ8-9 (V92215)) (OPT HL11VAZ8-9 (V97928)) (OPT L803-8K9 (V06725)) (OPT HL11VAZ8-9 (V0PTK6)) (OPT HL11VAZ8-9 (V60516))	Y-AR	1
392	BACB30NN3K6		..BOLT	Y-AR	7
394	BACB30NN4K9		..BOLT	Y-AR	1
396	BACR15CE6KE		..RIVET- (SIZE DETERMINE ON INST)	Y-AR	8
398	BACR15FT6KE		..RIVET- (SIZE DETERMINE ON INST)	Y-AR	7

57-53-27

 ILLUSTRATED PARTS LIST  
 01.101 Page 1056S  
 Mar 01/05

FIG. & ITEM	PART NO.	AIRLINE PART NUMBER	NOMENCLATURE 1234567	EFF CODE	QTY PER ASSY
07-400	K29913-104		..WASHER- (V15653) (SPEC BACW10CA104CC) (OPT 70191-104 (V56878)) (OPT 922008-4 (V60119)) (OPT 942008-4 (V60119))	Y-AR	1
402	K29646-104		..WASHER- (V15653) (SPEC BACW10CA104CV) (OPT 70188-104 (V56878)) (OPT 922007-4 (V60119)) (OPT 942007-4 (V60119))	Y-AR	1
404	BACS40R10B100F		..SHIM	Y-AR	1
406	BACS40R10C100F		..SHIM	Y-AR	1
408	BACS40R30D10F		..SHIM	Y-AR	1
410	HL79-6		..COLLAR- (V5M902) (SPEC BACC30M6) (OPT HL79-6 (V73197)) (OPT HL79-6 (V92215)) (OPT 66014-6 (V56878)) (OPT HL79-6 (V56878))	Y-AR	2

# 57-53-27

 ILLUSTRATED PARTS LIST  
 01.101 Page 1056T  
 Mar 01/05

**BOEING**  
 COMPONENT  
 MAINTENANCE MANUAL

FIG. & ITEM	PART NO.	AIRLINE PART NUMBER	NOMENCLATURE 1234567	EFF CODE	QTY PER ASSY
07-412	HL79-8		..COLLAR- (V5M902) (SPEC BACC30M8) (OPT HL79-8 (V73197)) (OPT HL79-8 (V92215)) (OPT 66014-8 (V56878)) (OPT HL79-8 (V56878))	Y-AR	1
414	NS103194-02-3		..NUTPLATE- (V80539) (SPEC BACN10KE3E3) (OPT RMF9216-3-3 (V72962)) (OPT F51752-3-3 (V15653)) (OPT BRFR120A3-3 (V52828))	Y-AR	2
416	NS103191-02-2		..NUTPLATE- (V80539) (SPEC BACN10KE3B2) (OPT RMF9213-2-3 (V72962)) (OPT F51750-3-2 (V15653)) (OPT BRFR220A3-2 (V52825))	Y-AR	1

**57-53-27**

ILLUSTRATED PARTS LIST  
 01.101 Page 1056U  
 Mar 01/05

FIG. & ITEM	PART NO.	AIRLINE PART NUMBER	NOMENCLATURE 1234567	EFF CODE	QTY PER ASSY
07-418	NS103191-02-3		..NUTPLATE- (V80539) (SPEC BACN10KE3B3) (OPT RMF9213-3-3 (V72962)) (OPT F51750-3-3 (V15653)) (OPT BRFR220A3-3 (V52828))	Y-AR	5
420	BACN10JQ42		..NUTPLATE ATTACHING PARTS	Y-AR	2
422	BACR15BA3AD		..RIVET- (SIZE DETERMINE ON INST) -----*-----	Y-AR	20
424	113T2273-7		.SUPPORT ASSY-BELCRK	Y-AR	1
-426	113T2273-8		.SUPPORT ASSY-BELCRK ATTACHING PARTS	Y-AR	1
428	BACB30NM4K10		.BOLT	Y-AR	8
430	AN960JD416		.WASHER	Y-AD, AN-AP	8
-430A	NAS1149D0463J		.WASHER	AE-AM ,AQ,A R	8
432	NAS1804-4		.NUT -----*-----	Y-AR	8
434	113T2104-7		..BUSHING	Y-AR	1
-436	113T2104-25		..BUSHING- (USED ON ITEM 426)	Y-AR	1
438	BACB28AP10P018		..BUSHING	Y-AR	2
440	113T2273-9		..SUPPORT- (USED ON ITEM 424)	Y-AR	1
-442	113T2273-10		..SUPPORT- (USED ON ITEM 426)	Y-AR	1
444	113T2274-9		.FITTING ASSY-TRACK SPRT	Y,AA, AC,AE ,AG,A J,AL, AN,AQ	1

57-53-27

 ILLUSTRATED PARTS LIST  
 01.101 Page 1056V  
 Mar 01/05


**BOEING**  
 COMPONENT  
 MAINTENANCE MANUAL

FIG. & ITEM	PART NO.	AIRLINE PART NUMBER	NOMENCLATURE 1234567	EFF CODE	QTY PER ASSY
07- -446	113T2274-10		.FITTING ASSY-TRACK SPRT	Z,AB, AD,AF ,AH,A K,AM, AP,AR	1
448	BACR15CE6AD		ATTACHING PARTS .RIVET- (SIZE DETERMINE ON INST)	Y-AR	4
450	L8006K6		.BOLT- (V06725) (SPEC BACB30MY6K6) (OPT L800-6-6 (V97928))	Y-AD, AN-AP	10
-450A	HST10AG6-6		.BOLT- (V0PTK6) (SPEC BACB30VT6K6) (OPT HST10AG6-6 (V06725)) (OPT HST10AG6-6 (V56878)) (OPT HST10AG6-6 (V73197))	AE-AM ,AQ,A R	10
452	HL11VAZ6-6		.BOLT- (V60516) (SPEC BACB30NW6K6) (OPT B30NW6K6 (V97928)) (OPT HL11VAZ6-6 (V73197)) (OPT HL11VAZ6-6 (V92215)) (OPT HL11VAZ6-6 (V97928)) (OPT L803-6K6 (V06725)) (OPT HL11VAZ6-6 (V0PTK6)) (OPT HL11VAZ6-6 (V56878))	Y-AD, AN-AP	2
-452A	WC331K6-6		.BOLT- (V60516) (SPEC BACB30YP6K6)	AE-AM ,AQ,A R	2

57-53-27

 ILLUSTRATED PARTS LIST  
 01.101 Page 1056W  
 Mar 01/05

FIG. & ITEM	PART NO.	AIRLINE PART NUMBER	NOMENCLATURE 1234567	EFF CODE	QTY PER ASSY
07-454	HL11VAZ6-7		.BOLT- (V60516) (SPEC BACB30NW6K7) (OPT HL11V6-7 (V92215)) (OPT HL11V6-7 (V97928)) (OPT L803-6-7 (V06725)) (OPT B30NW6K7 (V97928)) (OPT HL11VAZ6-7 (V73197)) (OPT HL11VAZ6-7 (V92215)) (OPT HL11VAZ6-7 (V56878))	Y-AD, AN-AP	2
-454A	WC331K6-7		.BOLT- (V60516) (SPEC BACB30YP6K7)	AE-AM ,AQ,A R	2
456	BACS40R24C20F		DELETED		
456A	BACS40R020C024F		.SHIM	Y-AR	1
458	BACS40R10C22F		DELETED		
458A	BACS40R010C022F		.SHIM	Y-AR	2
460	HL79-6		.COLLAR- (V5M902) (SPEC BACC30M6) (OPT HL79-6 (V73197)) (OPT HL79-6 (V92215)) (OPT 66014-6 (V56878)) (OPT HL79-6 (V56878))	Y-AD, AN-AP	14
-460A	HST79CY6		.COLLAR- (V73197) (SPEC BACC30BL6) (OPT HST79-6 (V92215)) (OPT HST79CY6 (V56878)) (OPT HST79CY6 (V5M902)) -----*	AE-AM ,AQ,A R	14

57-53-27

 ILLUSTRATED PARTS LIST  
 01.101 Page 1056X  
 Mar 01/05


**BOEING**  
 COMPONENT  
 MAINTENANCE MANUAL

FIG. & ITEM	PART NO.	AIRLINE PART NUMBER	NOMENCLATURE 1234567	EFF CODE	QTY PER ASSY
07-					
462	113T2104-2		..BUSHING	Y-AR	1
464	113T2104-4		..BUSHING	Y-AR	1
466	113T2104-6		..BUSHING	Y-AR	1
468	BACB28AP09P038		..BUSHING	Y-AR	1
470	113T2274-7		..FITTING	Y,AA, AC,AE ,AG,A J,AL, AN,AQ	1
-472	113T2274-8		..FITTING	Z,AB, AD,AF ,AH,A K,AM, AP,AR	1
-474	113T2224-25		.SPAR INSTL-REAR (FOR DETAILS SEE FIG. 4)	Y,AA, AC,AN	1
-474A	113T2224-401		.SPAR INSTL-REAR (FOR DETAILS SEE FIG. 4)	AE,AG ,AJ,A L,AQ	1
-476	113T2224-26		.SPAR INSTL-REAR (FOR DETAILS SEE FIG. 4)	Z,AB, AD,AP	1
-476A	113T2224-402		.SPAR INSTL-REAR (FOR DETAILS SEE FIG. 4)	AF,AH ,AK,A M,AR	1
-478	113T2260-17		.PANEL INSTL-COVE UPR	Y,AA, AC,AE ,AG,A J,AL, AN,AQ	1
-480	113T2260-18		.PANEL INSTL-COVE UPR	Z,AB, AD,AF ,AH,A K,AM, AP,AR	1
482	113T2261-97		..PANEL ASSY-COVE UPR	Y,AA, AC,AE ,AG,A J,AL, AN,AQ	1
-484	113T2261-98		..PANEL ASSY-COVE UPR	Z,AB, AD,AF ,AH,A K,AM, AP,AR	1
486	113T2261-31		...PHENOLIC STRIP	Y-AR	1

57-53-27

 ILLUSTRATED PARTS LIST  
 01.101 Page 1056Y  
 Mar 01/05



FIG. & ITEM	PART NO.	AIRLINE PART NUMBER	NOMENCLATURE 1234567	EFF CODE	QTY PER ASSY
07-488	113T2261-32		...PHENOLIC STRIP	Y-AR	1
490	113T2261-71		...BOND ASSY-PNL	Y,AA, AC,AE ,AG,A J,AL, AN,AQ	1
-492	113T2261-72		...BOND ASSY-PNL	Z,AB, AD,AF ,AH,A K,AM, AP,AR	1
494	113T2261-36		....WASHER	Y-AR	12
496	113T2264-1		..STRUT	Y-AR	1
498	113T2264-3		..STRUT	Y-AR	1
			ATTACHING PARTS		
500	BACB30NR4K8		..BOLT	Y-AR	2
502	AN96OPD416		..WASHER	Y-AR	4
504	BRH10A4		..NUT-	Y-AR	2
			(V52828)		
			(SPEC BACN10JC4)		
			(OPT T6S428J		
			(V11815))		
			(OPT 96-048		
			(V80539))		
			(OPT VN303A048		
			(V92215))		
			(OPT RMLH9075-4W		
			(V72962))		
			(OPT NS202101-048		
			(V80539))		
			(OPT H10-4BAC		
			(V15653))		

57-53-27

 ILLUSTRATED PARTS LIST  
 01.101 Page 1056Z  
 Mar 01/05

**BOEING**  
 COMPONENT  
 MAINTENANCE MANUAL

FIG. & ITEM	PART NO.	AIRLINE PART NUMBER	NOMENCLATURE 1234567	EFF CODE	QTY PER ASSY
07-506	BACS40R08C08F		..SHIM -----*-----	Y-AR	2
508	113T2264-3		..STRUT ATTACHING PARTS	Y-AR	10
510	BACB30NR4K6		..BOLT	Y-AR	10
512	AN960PD416		..WASHER	Y-AR	20
514	BRH10A4		..NUT- (V52828) (SPEC BACN10JC4) (OPT T6S428J (V11815)) (OPT 96-048 (V80539)) (OPT VN303A048 (V92215)) (OPT RMLH9075-4W (V72962)) (OPT NS202101-048 (V80539)) (OPT H10-4BAC (V15653)) -----*-----	Y-AR	10
516	BACB30NN4K16		..BOLT	Y-AR	12
518	AN960PD416		..WASHER	Y-AR	12
520	BRH10A4		..NUT- (V52828) (SPEC BACN10JC4) (OPT T6S428J (V11815)) (OPT 96-048 (V80539)) (OPT VN303A048 (V92215)) (OPT RMLH9075-4W (V72962)) (OPT NS202101-048 (V80539)) (OPT H10-4BAC (V15653))	Y-AR	12

57-53-27

ILLUSTRATED PARTS LIST  
 01.101 Page 1057  
 Mar 01/05

FIG. & ITEM	PART NO.	AIRLINE PART NUMBER	NOMENCLATURE 1234567	EFF CODE	QTY PER ASSY
07-					
522	BACS40R10C10F		..SHIM	Y-AR	12
-534	113T2260-15		.PANEL INSTL-COVE LWR	Y,AA, AC,AN	1
-534A	113T2260-401		.PANEL INSTL-COVE LWR	AE,AG ,AJ,A L,AQ	1
-536	113T2260-16		.PANEL INSTL-COVE LWR	Z,AB, AD,AP	1
-536A	113T2260-402		.PANEL INSTL-COVE LWR	AF,AH ,AK,A M,AR	1
538	113T2261-63		..PANEL ASSY-OUTBD	Y,AA, AC,AE ,AG,A J,AL, AN,AQ	1
-540	113T2261-64		..PANEL ASSY-OUTBD	Z,AB, AD,AF ,AH,A K,AM, AP,AR	1
542	BACB30NN3K6		...BOLT	Y-AR	42
544	BACB30NN3K4		...BOLT	Y-AR	34
546	AN960-10L		...WASHER	Y-AR	34
548	H10-3BAC		...NUT-	Y-AR	34
			(V15653)		
			(SPEC BACN10JC3)		
			(OPT NS202101-02		
			(V80539))		
			(OPT RMLH9075-3W		
			(V72962))		
			(OPT VN303A02		
			(V92215))		
			(OPT 96-02		
			(V80539))		
			(OPT BRH10A3		
			(V52828))		
			(OPT T6S1032J		
			(V11815))		

57-53-27

 ILLUSTRATED PARTS LIST  
 01.101 Page 1058  
 Mar 01/05


**BOEING**  
 COMPONENT  
 MAINTENANCE MANUAL

FIG. & ITEM	PART NO.	AIRLINE PART NUMBER	NOMENCLATURE 1234567	EFF CODE	QTY PER ASSY
07-550	113T2261-39		...RETAINER-SEAL	Y,AA, AC,AE ,AG,A J,AL, AN,AQ	1
-552	113T2261-40		...RETAINER-SEAL	Z,AB, AD,AF ,AH,A K,AM, AP,AR	1
554	113T2261-19		...RETAINER-SEAL	Y-AR	2
556	113T2261-11		...RETAINER-SEAL	Y,AA, AC,AE ,AG,A J,AL, AN,AQ	1
-558	113T2261-12		...RETAINER-SEAL	Z,AB, AD,AF ,AH,A K,AM, AP,AR	1
560	113T2261-13		...RETAINER ASSY-NUTPLATE	Y-AR	1
562	BACR15CE3AD		....RIVET- (SIZE DETERMINE ON INST)	Y-AR	28
564	F5000-3BAC		....NUTPLATE- (V15653) (SPEC BACN10JR3F) (OPT NS103203-02 (V80539)) (OPT RMF9201-3 (V72962)) (OPT VN152A1-02 (V92215)) (OPT T8091S1032 (V11815)) (OPT BRF200A3 (V52828))	Y-AR	14

57-53-27

 ILLUSTRATED PARTS LIST  
 01.101 Page 1058A  
 Mar 01/05

FIG. & ITEM	PART NO.	AIRLINE PART NUMBER	NOMENCLATURE 1234567	EFF CODE	QTY PER ASSY
07- 566	113T2261-21		....STRAP	Y-AR	1
568	113T2261-65		...RETAINER ASSY-NUTPLATE	Y,AA, AC,AE ,AG,A J,AL, AN,AQ	1
-570	113T2261-66		...RETAINER ASSY-NUTPLATE	Z,AB, AD,AF ,AH,A K,AM, AP,AR	1
572	BACR15CE3AD		....RIVET- (SIZE DETERMINE ON INST)	Y-AR	54
574	F5000-3BAC		....NUTPLATE- (V15653) (SPEC BACN10JR3F) (OPT NS103203-02 (V80539)) (OPT RMF9201-3 (V72962)) (OPT VN152A1-02 (V92215)) (OPT T8091S1032 (V11815)) (OPT BRF200A3 (V52828))	Y-AR	27
576	113T2261-23		....STRAP	Y-AR	1
578	113T2261-67		...RETAINER ASSY-NUTPLATE	Y,AA, AC,AE ,AG,A J,AL, AN,AQ	1

# 57-53-27

 ILLUSTRATED PARTS LIST  
 01.101 Page 1058B  
 Mar 01/05


**BOEING**  
 COMPONENT  
 MAINTENANCE MANUAL

FIG. & ITEM	PART NO.	AIRLINE PART NUMBER	NOMENCLATURE 1234567	EFF CODE	QTY PER ASSY
07- -580	113T2261-68		...RETAINER ASSY-NUTPLATE	Z,AB, AD,AF ,AH,A K,AM, AP,AR	1
582	F5000-3BAC		....NUTPLATE- (V15653) (SPEC BACN10JR3F) (OPT NS103203-02 (V80539)) (OPT RMF9201-3 (V72962)) (OPT VN152A1-02 (V92215)) (OPT T8091S1032 (V11815)) (OPT BRF200A3 (V52828))	Y-AR	1
584	BACR15CE3AD		....RIVET- (SIZE DETERMINE ON INST)	Y-AR	2
586	113T2261-23		....STRAP	Y-AR	1
588	113T2261-45		...SEAL- (MFD FROM EXTRUSION RUBBER F25.01 10-60754-130 24.30 IN)	Y-AR	1
590	113T2261-49		...SEAL- (MFD FROM EXTRUSION RUBBER F25.01 10-60754-83 8.00 IN)	Y-AR	2
592	113T2261-46		...SEAL- (MFD FROM EXTR RUBBER F25.01 10-60754-130 65.00 IN)	Y-AR	1
594	113T2261-47		...SEAL- (MFD FROM EXTRUSION RUBBER 25.01 10-60754-130 11.20 IN)	Y,AA, AC,AE ,AG,A J,AL, AN,AQ	1
-596	113T2261-48		...SEAL- (MFD FROM EXTRUSION RUBBER F25.01 10-60754-130 11.00 IN)	Z,AB, AD,AF ,AH,A K,AM, AP,AR	1

57-53-27

 ILLUSTRATED PARTS LIST  
 01.101 Page 1058C  
 Mar 01/05

FIG. & ITEM	PART NO.	AIRLINE PART NUMBER	NOMENCLATURE 1234567	EFF CODE	QTY PER ASSY
07-597	113T2261-91		...FILLER-AERODYNAMIC	Y,AA, AC,AE ,AG,A J,AL, AN,AQ	1
-597J	113T2261-92		...FILLER-AERODYNAMIC	Z,AB, AD,AF ,AH,A K,AM, AP,AR	1
598	113T2261-5		...PANEL-BOND ASSY	Y,AA, AC,AE ,AG,A J,AL, AN,AQ	1
-600	113T2261-6		...PANEL-BOND ASSY	Z,AB, AD,AF ,AH,A K,AM, AP,AR	1
602	113T2261-93		..PANEL ASSY-INBD	Y,AA, AC,AE ,AG,A J,AL, AN,AQ	1
-604	113T2261-94		..PANEL ASSY-INBD	Z,AB, AD,AF ,AH,A K,AM, AP,AR	1

# 57-53-27

 ILLUSTRATED PARTS LIST  
 01.101 Page 1058D  
 Mar 01/05


**BOEING**  
 COMPONENT  
 MAINTENANCE MANUAL

FIG. & ITEM	PART NO.	AIRLINE PART NUMBER	NOMENCLATURE 1234567	EFF CODE	QTY PER ASSY
07- 606	BACB30NN3K6		...BOLT	Y-AR	46
608	113T2261-41		...RETAINER-SEAL (OPT ITEM 608A)	Y,AA, AC,AE ,AG,A J,AL, AN,AQ	1
-608A	113T2261-57		...RETAINER-SEAL (OPT ITEM 608)	Y,AA, AC,AE ,AG,A J,AL, AN,AQ	1
-610	113T2261-42		...RETAINER-SEAL (OPT ITEM 610A)	Z,AB, AD,AF ,AH,A K,AM, AP,AR	1
-610A	113T2261-58		...RETAINER-SEAL (OPT ITEM 610)	Z,AB, AD,AF ,AH,A K,AM, AP,AR	1
612	113T2261-50		...RETAINER-SEAL	Y,AA, AC,AE ,AG,A J,AL, AN,AQ	1
-614	113T2261-44		...RETAINER-SEAL	Z,AB, AD,AF ,AH,A K,AM, AP,AR	1

57-53-27

 ILLUSTRATED PARTS LIST  
 01.101 Page 1058E  
 Mar 01/05



FIG. & ITEM	PART NO.	AIRLINE PART NUMBER	NOMENCLATURE 1234567	EFF CODE	QTY PER ASSY
07-616	113T2261-17		...RETAINER-SEAL	Y,AA, AC,AE ,AG,A J,AL, AN,AQ	1
-618	113T2261-18		...RETAINER-SEAL	Z,AB, AD,AF ,AH,A K,AM, AP,AR	1
620	113T2261-14		...RETAINER ASSY-NUTPLATE	Y-AR	1
622	F5000-3BAC		....NUTPLATE- (V15653) (SPEC BACN10JR3F) (OPT NS103203-02 (V80539)) (OPT RMF9201-3 (V72962)) (OPT VN152A1-02 (V92215)) (OPT T8091S1032 (V11815)) (OPT BRF200A3 (V52828)) ATTACHING PARTS	Y-AR	16
624	BACR15CE3AD		....RIVET- (SIZE DETERMINE ON INST) -----*-----	Y-AR	32
626	113T2261-22		....STRAP	Y-AR	1
628	113T2261-51		...RETAINER ASSY-NUTPLATE	Y-AR	1
630	F5000-3BAC		....NUTPLATE- (V15653) (SPEC BACN10JR3F) (OPT NS103203-02 (V80539)) (OPT RMF9201-3 (V72962)) (OPT VN152A1-02 (V92215)) (OPT T8091S1032 (V11815)) (OPT BRF200A3 (V52828)) ATTACHING PARTS	Y-AR	30

57-53-27

 ILLUSTRATED PARTS LIST  
 01.101 Page 1058F  
 Mar 01/05


**BOEING**  
 COMPONENT  
 MAINTENANCE MANUAL

FIG. & ITEM	PART NO.	AIRLINE PART NUMBER	NOMENCLATURE 1234567	EFF CODE	QTY PER ASSY
07-632	BACR15CE3AD		....RIVET- (SIZE DETERMINE ON INST) -----*-----	Y-AR	60
634	113T2261-52		....STRAP	Y-AR	1
636	113T2261-15		...SEAL-INBD (MFD FROM EXTRUSION RUBBER F25.01 10-60754-130 71.40 IN.)	Y,AA, AC,AE ,AG,A J,AL, AN,AQ	1
-638	113T2261-16		...SEAL-INBD (MFD FROM EXTRUSION RUBBER F25.01 10-60754-130 71.60 IN.)	Z,AB, AD,AF ,AH,A K,AM, AP,AR	1
640	113T2261-7		...PANEL	Y,AA, AC,AE ,AG,A J,AL, AN,AQ	1
-642	113T2261-8		...PANEL	Z,AB, AD,AF ,AH,A K,AM, AP,AR	1
644	113T2263-7		..FITTING ATTACHING PARTS	Y-AR	10
646	HL11VAZ6-6		..BOLT- (V60516) (SPEC BACB30NW6K6) (OPT B30NW6K6 (V97928)) (OPT HL11VAZ6-6 (V73197)) (OPT HL11VAZ6-6 (V92215)) (OPT HL11VAZ6-6 (V97928)) (OPT L803-6K6 (V06725)) (OPT HL11VAZ6-6 (V0PTK6)) (OPT HL11VAZ6-6 (V56878))	Y-AD, AN-AP	20

57-53-27

 ILLUSTRATED PARTS LIST  
 01.101 Page 1058G  
 Mar 01/05

FIG. & ITEM	PART NO.	AIRLINE PART NUMBER	NOMENCLATURE 1234567	EFF CODE	QTY PER ASSY
07- -646A	HL11VAZ6-5		..BOLT- (V60516) (SPEC BACB30NW6K5) (OPT HL11V6-5 (V92215)) (OPT HL11V6-5 (V97928)) (OPT L803-6-5 (V06725)) (OPT B30NW6K5 (V97928)) (OPT HL11VAZ6-5 (V73197)) (OPT HL11VAZ6-5 (V92215)) (OPT HL11VAZ6-5 (V56878))	AE-AM ,AQ,AR	20
648	HL10VAZ6-5		..BOLT- (V60516) (SPEC BACB30MY6K5) (OPT B30MY6K5 (V97928))	Y-AR	20
650	HL79-6		..COLLAR- (V5M902) (SPEC BACC30M6) (OPT HL79-6 (V73197)) (OPT HL79-6 (V92215)) (OPT 66014-6 (V56878)) (OPT HL79-6 (V56878)) -----*	Y-AR	40

**57-53-27**

 ILLUSTRATED PARTS LIST  
 01.101 Page 1058H  
 Mar 01/05

**BOEING**  
 COMPONENT  
 MAINTENANCE MANUAL

FIG. & ITEM	PART NO.	AIRLINE PART NUMBER	NOMENCLATURE 1234567	EFF CODE	QTY PER ASSY
07-652	113T2265-2		..FILLER-TAPERED	Y,AA, AC,AE ,AG,A J,AL, AN,AQ	1
-654	113T2265-1		..FILLER-TAPERED	Z,AB, AD,AF ,AH,A K,AM, AP,AR	1
656	BACR15BA6AD		ATTACHING PARTS ..RIVET- (SIZE DETERMINE ON INST) -----*-----	Y-AR	5
658	113T2266-3		..BRACKET	Y,AA, AC,AE ,AG,A J,AL, AN,AQ	12
-660	113T2266-4		..BRACKET	Z,AB, AD,AF ,AH,A K,AM, AP,AR	12
662	BACR15BA6AD		ATTACHING PARTS ..RIVET- (SIZE DETERMINE ON INST)	Y-AR	24
664	BACR15FT5KE		..RIVET- (SIZE DETERMINE ON INST)	Y-AR	24
664F	BACS40R009C016		..SHIM -----*-----	Y-AR	12

**57-53-27**

ILLUSTRATED PARTS LIST  
 01.101 Page 1058I  
 Mar 01/05

FIG. & ITEM	PART NO.	AIRLINE PART NUMBER	NOMENCLATURE 1234567	EFF CODE	QTY PER ASSY
07-664M	BACR15BA6AD		..RIVET- (SIZE DETERMINE ON INST)	AE-AM ,AQ,A R	4
664T	BACR15FT6KE		..RIVET- (SIZE DETERMINE ON INST)	AE-AM ,AQ,A R	4
665	113T2266-3		..BRACKET	AE-AM ,AQ,A R	1
665F	113T2266-4		..BRACKET	AE-AM ,AQ,A R	1
-666	113T2230-7		.RIB INSTL	Y,AA, AC,AE ,AG,A J,AL, AN,AQ	1
-668	113T2230-8		.RIB INSTL	Z,AB, AD,AF ,AH,A K,AM, AP,AR	1
670	BACB30NN3K6		..BOLT	Y-AR	10
672	BACB30NN4K9		..BOLT	Y-AR	10
674	HL11VAZ6-4		..BOLT- (V60516) (SPEC BACB30NW6K4) (OPT HL11V6-4 (V92215)) (OPT HL11V6-4 (V97928)) (OPT L803-6-4 (V06725)) (OPT B30NW6K4 (V97928)) (OPT HL11VAZ6-4 (V73197)) (OPT HL11VAZ6-4 (V92215)) (OPT HL11VAZ6-4 (V56878))	Y-AR	14

# 57-53-27

 ILLUSTRATED PARTS LIST  
 01.101 Page 1058J  
 Mar 01/05

**BOEING**  
 COMPONENT  
 MAINTENANCE MANUAL

FIG. & ITEM	PART NO.	AIRLINE PART NUMBER	NOMENCLATURE 1234567	EFF CODE	QTY PER ASSY
07-676	HL11VAZ6-6		..BOLT- (V60516) (SPEC BACB30NW6K6) (OPT B30NW6K6 (V97928)) (OPT HL11VAZ6-6 (V73197)) (OPT HL11VAZ6-6 (V92215)) (OPT HL11VAZ6-6 (V97928)) (OPT L803-6K6 (V06725)) (OPT HL11VAZ6-6 (V0PTK6)) (OPT HL11VAZ6-6 (V56878))	Y-AR	2
678	HL11VAZ8-6		..BOLT- (V60516) (SPEC BACB30NW8K6) (OPT B30NW8K6 (V97928)) (OPT HL11VAZ8-6 (V73197)) (OPT HL11VAZ8-6 (V92215)) (OPT HL11VAZ8-6 (V97928)) (OPT L803-8K6 (V06725)) (OPT HL11VAZ8-6 (V0PTK6)) (OPT HL11VAZ8-6 (V56878))	Y-AR	5

**57-53-27**

ILLUSTRATED PARTS LIST  
 01.101 Page 1058K  
 Mar 01/05

FIG. & ITEM	PART NO.	AIRLINE PART NUMBER	NOMENCLATURE 1234567	EFF CODE	QTY PER ASSY
07-680	HL11VAZ8-8		..BOLT- (V56878) (SPEC BACB30NW8K8) (OPT B30NW8K8 (V97928)) (OPT HL11VAZ8-8 (V73197)) (OPT HL11VAZ8-8 (V92215)) (OPT HL11VAZ8-8 (V97928)) (OPT L803-8K8 (V06725)) (OPT HL11VAZ8-8 (V0PTK6)) (OPT HL11VAZ8-8 (V60516))	Y-AR	1
682	BACS40B19C30F		..SHIM	Y-AR	1
684	BACS40R08C24F		..SHIM	Y-AR	1
686	BACS40R09C22F		..SHIM	Y-AR	1
688	BACS40R09C24F		..SHIM	Y-AR	1
690	BACS40R10C12F		..SHIM	Y-AR	1
692	BACS40R10C22F		..SHIM	Y-AR	1
694	HL79-6		..COLLAR- (V5M902) (SPEC BACC30M6) (OPT HL79-6 (V73197)) (OPT HL79-6 (V92215)) (OPT 66014-6 (V56878)) (OPT HL79-6 (V56878))	Y-AR	16

57-53-27

 ILLUSTRATED PARTS LIST  
 01.101 Page 1058L  
 Mar 01/05

**BOEING**  
 COMPONENT  
 MAINTENANCE MANUAL

FIG. & ITEM	PART NO.	AIRLINE PART NUMBER	NOMENCLATURE 1234567	EFF CODE	QTY PER ASSY
07-696	HL79-8		..COLLAR- (V5M902) (SPEC BACC30M8) (OPT HL79-8 (V73197)) (OPT HL79-8 (V92215)) (OPT 66014-8 (V56878)) (OPT HL79-8 (V56878))	Y-AR	6
698	BACN10JQ42		..NUTPLATE	Y-AR	1
700	BACN10JQ44		..NUTPLATE	Y-AR	9
702	NS103191-02-3		..NUTPLATE- (V80539) (SPEC BACN10KE3B3) (OPT RMF9213-3-3 (V72962)) (OPT F51750-3-3 (V15653)) (OPT BRFR220A3-3 (V52828))	Y-AR	10
704	BACR15CE3M		ATTACHING PARTS ..RIVET- (SIZE DETERMINE ON INST) -----*	Y-AR	40
-706	113T2348-7		.RIB INSTL	Y,AA, AC,AE ,AG,A J,AL, AN,AQ	1

**57-53-27**

ILLUSTRATED PARTS LIST  
 01.101 Page 1058M  
 Mar 01/05



FIG. & ITEM	PART NO.	AIRLINE PART NUMBER	NOMENCLATURE 1234567	EFF CODE	QTY PER ASSY
07- -708	113T2348-8		.RIB INSTL	Z,AB, AD,AF ,AH,A K,AM, AP,AR	1
710	113T2239-1		..RIB-INTERMEDIATE	Y,AA, AC,AE ,AG,A J,AL, AN,AQ	1
-712	113T2239-2		..RIB-INTERMEDIATE	Z,AB, AD,AF ,AH,A K,AM, AP,AR	1
714	HL11VAZ8-8		ATTACHING PARTS ..BOLT- (V56878) (SPEC BACB30NW8K8) (OPT B30NW8K8 (V97928)) (OPT HL11VAZ8-8 (V73197)) (OPT HL11VAZ8-8 (V92215)) (OPT HL11VAZ8-8 (V97928)) (OPT L803-8K8 (V06725)) (OPT HL11VAZ8-8 (V0PTK6)) (OPT HL11VAZ8-8 (V60516))	Y-AR	2

# 57-53-27

 ILLUSTRATED PARTS LIST  
 01.101 Page 1058N  
 Mar 01/05

**BOEING**  
 COMPONENT  
 MAINTENANCE MANUAL

FIG. & ITEM	PART NO.	AIRLINE PART NUMBER	NOMENCLATURE 1234567	EFF CODE	QTY PER ASSY
07-716	HL11VAZ6-6		..BOLT- (V60516) (SPEC BACB30NW6K6) (OPT B30NW6K6 (V97928)) (OPT HL11VAZ6-6 (V73197)) (OPT HL11VAZ6-6 (V92215)) (OPT HL11VAZ6-6 (V97928)) (OPT L803-6K6 (V06725)) (OPT HL11VAZ6-6 (V0PTK6)) (OPT HL11VAZ6-6 (V56878))	Y-AR	1
718	HL11VAZ6-4		..BOLT- (V60516) (SPEC BACB30NW6K4) (OPT HL11V6-4 (V92215)) (OPT HL11V6-4 (V97928)) (OPT L803-6-4 (V06725)) (OPT B30NW6K4 (V97928)) (OPT HL11VAZ6-4 (V73197)) (OPT HL11VAZ6-4 (V92215)) (OPT HL11VAZ6-4 (V56878))	Y-AR	2

**57-53-27**

ILLUSTRATED PARTS LIST  
 01.101 Page 10580  
 Mar 01/05

FIG. & ITEM	PART NO.	AIRLINE PART NUMBER	NOMENCLATURE 1234567	EFF CODE	QTY PER ASSY
07-					
720	BACB30NN4K9		..BOLT	Y-AR	2
722	BACB30NN3K6		..BOLT	Y-AR	7
724	HL10VAZ6-5		..BOLT- (V60516) (SPEC BACB30MY6K5) (OPT B30MY6K5 (V97928))	Y-AR	5
726	HL10VAZ6-3		..BOLT- (V60516) (SPEC BACB30MY6K3) (OPT B30MY6K3 (V97928))	Y-AR	3
728	BACR15CE6KE4		..RIVET	Y-AR	8
730	K29913-104		..WASHER- (V15653) (SPEC BACW10CA104CC) (OPT 70191-104 (V56878)) (OPT 922008-4 (V60119)) (OPT 942008-4 (V60119))	Y-AR	1
732	K29646-104		..WASHER- (V15653) (SPEC BACW10CA104CV) (OPT 70188-104 (V56878)) (OPT 922007-4 (V60119)) (OPT 942007-4 (V60119))	Y-AR	1

# 57-53-27

 ILLUSTRATED PARTS LIST  
 01.101 Page 1058P  
 Mar 01/05


**BOEING**  
 COMPONENT  
 MAINTENANCE MANUAL

FIG. & ITEM	PART NO.	AIRLINE PART NUMBER	NOMENCLATURE 1234567	EFF CODE	QTY PER ASSY
07-					
734	BACF3T03H8-8		..FILLER	Y-AR	1
736	BACS4OR08C10F		..SHIM	Y-AR	3
738	BACS4OR08C08F		..SHIM	Y-AR	2
740	BACS4OR08C09F		..SHIM	Y-AR	1
742	BACS4OR09C10F		..SHIM	Y-AR	1
744	BACS4OR29C08F		..SHIM	Y-AR	1
746	HL79-6		..COLLAR- (V5M902) (SPEC BACC30M6) (OPT HL79-6 (V73197)) (OPT HL79-6 (V92215)) (OPT 66014-6 (V56878)) (OPT HL79-6 (V56878))	Y-AR	11
748	HL79-8		..COLLAR- (V5M902) (SPEC BACC30M8) (OPT HL79-8 (V73197)) (OPT HL79-8 (V92215)) (OPT 66014-8 (V56878)) (OPT HL79-8 (V56878))	Y-AR	2
750	BRFM22A3-3		-----*----- ..NUTPLATE- (V52828) (SPEC BACN10JQ33) (OPT MF19058-3-3BAC (V15653))	Y-AR	2
752	BACN10JQ42		..NUTPLATE	Y-AR	1
754	BACN10JQ43		..NUTPLATE	Y-AR	1
756	NS103191-02-3		..NUTPLATE- (V80539) (SPEC BACN10KE3B3) (OPT RMF9213-3-3 (V72962)) (OPT F51750-3-3 (V15653)) (OPT BRFR220A3-3 (V52828))	Y-AR	3

57-53-27

 ILLUSTRATED PARTS LIST  
 01.101 Page 1058Q  
 Mar 01/05

FIG. & ITEM	PART NO.	AIRLINE PART NUMBER	NOMENCLATURE 1234567	EFF CODE	QTY PER ASSY
07-758	NS103194-02-3		..NUTPLATE- (V80539) (SPEC BACN10KE3E3) (OPT RMF9216-3-3 (V72962)) (OPT F51752-3-3 (V15653)) (OPT BRFR120A3-3 (V52828)) ATTACHING PARTS	Y-AR	2
760	BACR15BA3AD		..RIVET- (SIZE DETERMINE ON INST) -----*-----	Y-AR	18
-762	113T2233-7		.RIB INSTL	Y,AA, AC,AE ,AG,A J,AL, AN,AQ	1
-764	113T2233-8		.RIB INSTL	Z,AB, AD,AF ,AH,A K,AM, AP,AR	1
766	113T2236-9		..RIB-SPRT	Y,AA, AC,AE ,AG,A J,AL, AN,AQ	1
-768	113T2236-10		..RIB-SPRT	Z,AB, AD,AF ,AH,A K,AM, AP,AR	1
770	BACB30NN3K6		ATTACHING PARTS ..BOLT	Y-AR	6
772	BACB30NN4K9		..BOLT	Y-AR	12

57-53-27

 ILLUSTRATED PARTS LIST  
 01.101 Page 1058R  
 Mar 01/05


**BOEING**  
 COMPONENT  
 MAINTENANCE MANUAL

FIG. & ITEM	PART NO.	AIRLINE PART NUMBER	NOMENCLATURE 1234567	EFF CODE	QTY PER ASSY
07-774	HL11VAZ6-4		..BOLT- (V60516) (SPEC BACB30NW6K4) (OPT HL11V6-4 (V92215)) (OPT HL11V6-4 (V97928)) (OPT L803-6-4 (V06725)) (OPT B30NW6K4 (V97928)) (OPT HL11VAZ6-4 (V73197)) (OPT HL11VAZ6-4 (V92215)) (OPT HL11VAZ6-4 (V56878))	Y-AR	10
776	HL11VAZ6-9		..BOLT- (V60516) (SPEC BACB30NW6K9) (OPT B30NW6K9 (V97928)) (OPT HL11VAZ6-9 (V73197)) (OPT HL11VAZ6-9 (V92215)) (OPT HL11VAZ6-9 (V97928)) (OPT L803-6K9 (V06725)) (OPT HL11VAZ6-9 (V0PTK6)) (OPT HL11VAZ6-9 (V56878))	Y-AR	2

# 57-53-27

 ILLUSTRATED PARTS LIST  
 01.101 Page 1058S  
 Mar 01/05

FIG. & ITEM	PART NO.	AIRLINE PART NUMBER	NOMENCLATURE 1234567	EFF CODE	QTY PER ASSY
07-778	HL11VAZ8-5		..BOLT- (V60516) (SPEC BACB30NW8K5) (OPT B30NW8K5 (V97928)) (OPT HL11VAZ8-5 (V73197)) (OPT HL11VAZ8-5 (V92215)) (OPT HL11VAZ8-5 (V97928)) (OPT L803-8K5 (V06725)) (OPT HL11VAZ8-5 (V0PTK6)) (OPT HL11VAZ8-5 (V56878))	Y-AR	2
780	HL11VAZ8-9		..BOLT- (V56878) (SPEC BACB30NW8K9) (OPT B30NW8K9 (V97928)) (OPT HL11VAZ8-9 (V73197)) (OPT HL11VAZ8-9 (V92215)) (OPT HL11VAZ8-9 (V97928)) (OPT L803-8K9 (V06725)) (OPT HL11VAZ8-9 (V0PTK6)) (OPT HL11VAZ8-9 (V60516))	Y-AR	6

**57-53-27**

 ILLUSTRATED PARTS LIST  
 01.101 Page 1058T  
 Mar 01/05

**BOEING**  
 COMPONENT  
 MAINTENANCE MANUAL

FIG. & ITEM	PART NO.	AIRLINE PART NUMBER	NOMENCLATURE 1234567	EFF CODE	QTY PER ASSY
07-					
782	BACS4OR09C21F		..SHIM	Y-AR	1
784	BACS4OR10C21F		..SHIM	Y-AR	1
786	BACS4OR10C30F		..SHIM	Y-AR	1
788	BACS4OR11C21F		..SHIM	Y-AR	1
790	BACS4OR12C21F		..SHIM	Y-AR	1
792	BACS4OR12C28F		..SHIM	Y-AR	1
794	BACS4OR14C33F		..SHIM	Y-AR	1
796	BACS4OR17C33F		..SHIM	Y-AR	1
798	BACS4OR19C28F		..SHIM	Y-AR	1
800	HL79-6		..COLLAR- (V5M902) (SPEC BACC30M6) (OPT HL79-6 (V73197)) (OPT HL79-6 (V92215)) (OPT 66014-6 (V56878)) (OPT HL79-6 (V56878))	Y-AR	12
802	HL79-8		..COLLAR- (V5M902) (SPEC BACC30M8) (OPT HL79-8 (V73197)) (OPT HL79-8 (V92215)) (OPT 66014-8 (V56878)) (OPT HL79-8 (V56878)) -----*	Y-AR	8

**57-53-27**

ILLUSTRATED PARTS LIST  
 01.101 Page 1058U  
 Mar 01/05



FIG. & ITEM	PART NO.	AIRLINE PART NUMBER	NOMENCLATURE 1234567	EFF CODE	QTY PER ASSY
07-					
804	BACN10JQ42		..NUTPLATE	Y-AR	10
806	BACN10JQ44		..NUTPLATE	Y-AR	2
808	NS103191-02-3		..NUTPLATE- (V80539) (SPEC BACN10KE3B3) (OPT RMF9213-3-3 (V72962)) (OPT F51750-3-3 (V15653)) (OPT BRFR220A3-3 (V52828)) ATTACHING PARTS	Y-AR	6
810	BACR15BA3AD		..RIVET- (SIZE DETERMINE ON INST) -----*-----	Y-AR	36
-812	113T2234-9		.RIB INSTL	Y,AA, AC,AJ ,AL,A N	1
-812A	113T2234-401		DELETED		
-812B	113T2234-403		.RIB INSTL	AE,AG ,AQ	1
-814	113T2234-10		.RIB INSTL	Z,AB, AD,AK ,AM,A P	1
-814A	113T2234-402		DELETED		
-814B	113T2234-404		.RIB INSTL	AF,AH ,AR	1
816	BACR15BA3AD		..RIVET- (SIZE DETERMINE ON INST)	Y-AR	44
818	BACN10JQ42		..NUTPLATE	Y-AD, AJ-AP	6
-818A	MF19058-4-2BAC		DELETED		
-818B	MF19058-4-3BAC		..NUTPLATE- (V15653) (SPEC BACN10YF43)	AE-AH ,AQ,A R	6
820	BACN10JQ43		..NUTPLATE	Y-AD, AJ-AP	4

# 57-53-27

 ILLUSTRATED PARTS LIST  
 01.101 Page 1058V  
 Mar 01/05


**BOEING**  
 COMPONENT  
 MAINTENANCE MANUAL

FIG. & ITEM	PART NO.	AIRLINE PART NUMBER	NOMENCLATURE 1234567	EFF CODE	QTY PER ASSY
07-					
-820A	MF19058-4-2BAC		DELETED		
-820B	MF19058-4-3BAC		..NUTPLATE- (V15653) (SPEC BACN10YF43)	AE-AH ,AQ,A R	4
822	NS103191-02-3		..NUTPLATE- (V80539) (SPEC BACN10KE3B3) (OPT RMF9213-3-3 (V72962)) (OPT F51750-3-3 (V15653)) (OPT BRFR220A3-3 (V52828))	Y-AR	12
824	113T2238-27		..RIB ASSY-SPRT	Y,AA, AC,AE ,AG,A J,AL, AN,AQ	1
-826	113T2238-28		..RIB ASSY-SPRT	Z,AB, AD,AF ,AH,A K,AM, AP,AR	1
			ATTACHING PARTS		
828	BACB30LK4-9		..BOLT	Y-AR	8
829	BACB30LK4-9		..BOLT	Y-AD, AJ-AP	2
-829A	BACB30NN4K9		..BOLT	AE-AH ,AQ,A R	2
830	HL10VAZ12-10		..BOLT- (V60516) (SPEC BACB30MY12K10) (OPT B30MY12K10 (V97928))	Y-AD, AJ-AP	2
-830A	HST10AG12-10		..BOLT- (V0PTK6) (SPEC BACB30VT12K10) (OPT HST10AG12-10 (V06725)) (OPT HST10AG12-10 (V56878)) (OPT HST10AG12-10 (V73197))	AE-AH ,AQ,A R	2

57-53-27

 ILLUSTRATED PARTS LIST  
 01.101 Page 1058W  
 Mar 01/05

FIG. & ITEM	PART NO.	AIRLINE PART NUMBER	NOMENCLATURE 1234567	EFF CODE	QTY PER ASSY
07-832	HL10VAZ8-9		..BOLT- (V60516) (SPEC BACB30MY8K9) (OPT B30MY8K9 (V97928))	Y-AD, AJ-AP	6
-832A	HST10AG8-9		..BOLT- (VOPTK6) (SPEC BACB30VT8K9) (OPT HST10AG8-9 (V06725)) (OPT HST10AG8-9 (V56878)) (OPT HST10AG8-9 (V73197))	AE-AH ,AQ,A R	6
834	BACB30NN3K6		..BOLT	Y-AR	12
836	HL11VAZ6-4		..BOLT- (V60516) (SPEC BACB30NW6K4) (OPT HL11V6-4 (V92215)) (OPT HL11V6-4 (V97928)) (OPT L803-6-4 (V06725)) (OPT B30NW6K4 (V97928)) (OPT HL11VAZ6-4 (V73197)) (OPT HL11VAZ6-4 (V92215)) (OPT HL11VAZ6-4 (V56878))	Y-AD, AJ-AN	14
-836A	WC331K6-4		..BOLT- (V60516) (SPEC BACB30YP6K4)	AE-AH ,AQ,A R	14

57-53-27

 ILLUSTRATED PARTS LIST  
 01.101 Page 1058X  
 Mar 01/05


**BOEING**  
 COMPONENT  
 MAINTENANCE MANUAL

FIG. & ITEM	PART NO.	AIRLINE PART NUMBER	NOMENCLATURE 1234567	EFF CODE	QTY PER ASSY
07-838	HL11VAZ8-10		..BOLT- (V60516) (SPEC BACB30NW8K10) (OPT B30NW8K10 (V97928)) (OPT HL11VAZ8-10 (V73197)) (OPT HL11VAZ8-10 (V92215)) (OPT HL11VAZ8-10 (V97928)) (OPT L803-8K10 (V06725)) (OPT HL11VAZ8-10 (V0PTK6)) (OPT HL11VAZ8-10 (V56878))	Y-AD, AJ-AP	4
-838A	WC331K8-10		..BOLT- (V60516) (SPEC BACB30YP8K10)	AE-AH ,AQ,A R	4
840	HL11VAZ8-10		..BOLT- (V60516) (SPEC BACB30NW8K10) (OPT B30NW8K10 (V97928)) (OPT HL11VAZ8-10 (V73197)) (OPT HL11VAZ8-10 (V92215)) (OPT HL11VAZ8-10 (V97928)) (OPT L803-8K10 (V06725)) (OPT HL11VAZ8-10 (V0PTK6)) (OPT HL11VAZ8-10 (V56878))	Y-AD, AJ-AP	2
-840A	WC331K8-10		..BOLT- (V60516) (SPEC BACB30YP8K10)	AE-AH ,AQ,A R	2

57-53-27

 ILLUSTRATED PARTS LIST  
 01.101 Page 1058Y  
 Mar 01/05

FIG. & ITEM	PART NO.	AIRLINE PART NUMBER	NOMENCLATURE 1234567	EFF CODE	QTY PER ASSY
07-842	HL11VAZ8-7		..BOLT- (V56878) (SPEC BACB30NW8K7) (OPT B30NW8K7 (V97928)) (OPT HL11VAZ8-7 (V73197)) (OPT HL11VAZ8-7 (V92215)) (OPT HL11VAZ8-7 (V97928)) (OPT L803-8K7 (V06725)) (OPT HL11VAZ8-7 (V0PTK6)) (OPT HL11VAZ8-7 (V60516))	Y-AD, AJ-AP	4
-842A	WC331K8-7		..BOLT- (V60516) (SPEC BACB30YP8K7)	AE-AH ,AQ,A R	4
844	HL11VAZ8-9		..BOLT- (V56878) (SPEC BACB30NW8K9) (OPT B30NW8K9 (V97928)) (OPT HL11VAZ8-9 (V73197)) (OPT HL11VAZ8-9 (V92215)) (OPT HL11VAZ8-9 (V97928)) (OPT L803-8K9 (V06725)) (OPT HL11VAZ8-9 (V0PTK6)) (OPT HL11VAZ8-9 (V60516))	Y-AD, AJ-AP	2
-844A	WC331K8-9		..BOLT- (V60516) (SPEC BACB30YP8K9)	AE-AH ,AQ,A R	2
846	BACS4OR11C22F		..SHIM	Y-AD, AJ-AP	1
-846A	BACS4OR011C022F		..SHIM	AE-AH ,AQ,A R	1

# 57-53-27

 ILLUSTRATED PARTS LIST  
 01.101 Page 1058Z  
 Mar 01/05


**BOEING**  
 COMPONENT  
 MAINTENANCE MANUAL

FIG. & ITEM	PART NO.	AIRLINE PART NUMBER	NOMENCLATURE 1234567	EFF CODE	QTY PER ASSY
07-848	BACS40R11C29F		..SHIM	Y-AD,	2
-848A	BACS40R011C029F		..SHIM	AJ-AP AE-AH ,AQ,A R	2
850	BACS40R12C22F		..SHIM	Y-AD,	2
-850A	BACS40R012C022F		..SHIM	AJ-AP AE-AH ,AQ,A R	2
852	BACS40R13C22F		..SHIM	Y-AD,	1
-852A	BACS40R013C022F		..SHIM	AJ-AP AE-AH ,AQ,A R	1
854	BACS40R13C29F		..SHIM	Y-AD,	1
-854A	BACS40R013C029F		..SHIM	AJ-AP AE-AH ,AQ,A R	1
856	BACS40R14C29F		DELETED		
-856A	BACS40R014C029F		DELETED		
856B	BACS40R15C29F		..SHIM	Y-AD,	1
-856C	BACS40R015C029F		..SHIM	AJ-AP AE-AH ,AQ,A R	1
858	BACS40R19C22F		..SHIM	Y-AD,	1
-858A	BACS40R019C022F		..SHIM	AJ-AP AE-AH ,AQ,A R	1

57-53-27

 ILLUSTRATED PARTS LIST  
 01.101 Page 1059  
 Mar 01/05

FIG. & ITEM	PART NO.	AIRLINE PART NUMBER	NOMENCLATURE 1234567	EFF CODE	QTY PER ASSY
07-860	BACS40R51C22F		DELETED		
-860A	BACS40R051C022F		DELETED		
860B	BACS40R22C51F		..SHIM	Y-AD, AJ-AP	1
-860C	BACS40R022C051F		..SHIM	AE-AH ,AQ,A R	1
862	HL79-12		..COLLAR- (V5M902) (SPEC BACC30M12) (OPT HL79-12 (V73197)) (OPT HL79-12 (V92215)) (OPT 66014-12 (V56878)) (OPT HL79-12 (V56878))	Y-AD, AJ-AP	2
-862A	HST79CY12		..COLLAR- (V73197) (SPEC BACC30BL12) (OPT HST79CY12 (V56878)) (OPT HST79CY12 (V5M902)) (OPT HST79-12 (V92215))	AE-AH ,AQ,A R	2
864	HL79-6		..COLLAR- (V5M902) (SPEC BACC30M6) (OPT HL79-6 (V73197)) (OPT HL79-6 (V92215)) (OPT 66014-6 (V56878)) (OPT HL79-6 (V56878))	Y-AD, AJ-AP	14

57-53-27

 ILLUSTRATED PARTS LIST  
 01.101 Page 1060  
 Mar 01/05

**BOEING**  
 COMPONENT  
 MAINTENANCE MANUAL

FIG. & ITEM	PART NO.	AIRLINE PART NUMBER	NOMENCLATURE 1234567	EFF CODE	QTY PER ASSY
07- -864A	HST79CY6		..COLLAR- (V73197) (SPEC BACC30BL6) (OPT HST79-6 (V92215)) (OPT HST79CY6 (V56878)) (OPT HST79CY6 (V5M902))	AE-AH ,AQ,A R	14
866	HL79-8		..COLLAR- (V5M902) (SPEC BACC30M8) (OPT HL79-8 (V73197)) (OPT HL79-8 (V92215)) (OPT 66014-8 (V56878)) (OPT HL79-8 (V56878))	Y-AD, AJ-AP	16
-866A	HST79CY8		..COLLAR- (V73197) (SPEC BACC30BL8) (OPT HST79-8 (V92215)) (OPT HST79CY8 (V56878)) (OPT HST79CY8 (V5M902))	AE-AH ,AQ,A R	16

**57-53-27**

ILLUSTRATED PARTS LIST  
 01.101 Page 1060A  
 Mar 01/05



FIG. & ITEM	PART NO.	AIRLINE PART NUMBER	NOMENCLATURE 1234567	EFF CODE	QTY PER ASSY
07-868	HL79-8		..COLLAR- (V5M902) (SPEC BACC30M8) (OPT HL79-8 (V73197)) (OPT HL79-8 (V92215)) (OPT 66014-8 (V56878)) (OPT HL79-8 (V56878))	Y-AD, AJ-AP	2
-868A	HST79CY8		..COLLAR- (V73197) (SPEC BACC30BL8) (OPT HST79-8 (V92215)) (OPT HST79CY8 (V56878)) (OPT HST79CY8 (V5M902)) -----*-----	AE-AH ,AQ,A R	2
870	113T2238-29		...RIB	Y,AA, AC,AE ,AG,A J,AL, AN,AQ	1
-872	113T2238-30		...RIB	Z,AB, AD,AF ,AH,A K,AM, AP,AR	1

**57-53-27**

 ILLUSTRATED PARTS LIST  
 01.101 Page 1060B  
 Mar 01/05


**BOEING**  
 COMPONENT  
 MAINTENANCE MANUAL

FIG. & ITEM	PART NO.	AIRLINE PART NUMBER	NOMENCLATURE 1234567	EFF CODE	QTY PER ASSY
07-874	113T2238-31		...RIB	Y,AA, AC,AE ,AG,A J,AL, AN,AQ	1
-876	113T2238-32		...RIB	Z,AB, AD,AF ,AH,A K,AM, AP,AR	1
878	HL10VAZ6-3		ATTACHING PARTS ...BOLT- (V60516) (SPEC BACB30MY6K3) (OPT B30MY6K3 (V97928))	Y-AR	12
880	HL79-6		...COLLAR- (V5M902) (SPEC BACC30M6) (OPT HL79-6 (V73197)) (OPT HL79-6 (V92215)) (OPT 66014-6 (V56878)) (OPT HL79-6 (V56878)) -----*	Y-AR	12
882	113T2242-13		.PANEL ASSY-UPR	Y,AA, AC,AE ,AG,A J,AL, AN,AQ	1
-884	113T2242-14		.PANEL ASSY-UPR	Z,AB, AD,AF ,AH,A K,AM, AP,AR	1
886	113T3144-5		..DOOR ASSY-ACCESS ATTACHING PARTS	Y-AR	1
888	BACB30NN3K4		..BOLT -----*	Y-AR	16
890	MS16562-5		...PIN-SPR	Y-AR	1

57-53-27

 ILLUSTRATED PARTS LIST  
 01.101 Page 1060C  
 Mar 01/05

FIG. & ITEM	PART NO.	AIRLINE PART NUMBER	NOMENCLATURE 1234567	EFF CODE	QTY PER ASSY
07-892	113T3144-21		...SCREW	Y-AR	1
894	NS103191-02-3		...NUTPLATE- (V80539) (SPEC BACN10KE3B3) (OPT RMF9213-3-3 (V72962)) (OPT F51750-3-3 (V15653)) (OPT BRFR220A3-3 (V52828)) ATTACHING PARTS	Y-AR	17
896	BACR15BA3AD		...RIVET- (SIZE DETERMINE ON INST) -----*-----	Y-AR	34
898	113T3144-15		...DOOR	Y-AR	1
900	113T2243-1		.PANEL ASSY-LWR	Y,AA, AC,AE ,AG,A J,AL, AN,AQ	1
-902	113T2243-2		.PANEL ASSY-LWR	Z,AB, AD,AF ,AH,A K,AM, AP,AR	1
904	113T3144-7		..DOOR ASSY-ACCESS ATTACHING PARTS	Y-AR	2
906	BACB30NN3K5		..BOLT -----*-----	Y-AR	32
908	MS16562-5		...PIN-SPR	Y-AR	1
910	113T3144-21		...SCREW	Y-AR	1
912	NS103191-02-3		...NUTPLATE- (V80539) (SPEC BACN10KE3B3) (OPT RMF9213-3-3 (V72962)) (OPT F51750-3-3 (V15653)) (OPT BRFR220A3-3 (V52828)) ATTACHING PARTS	Y-AR	17

# 57-53-27

 ILLUSTRATED PARTS LIST  
 01.101 Page 1060D  
 Mar 01/05

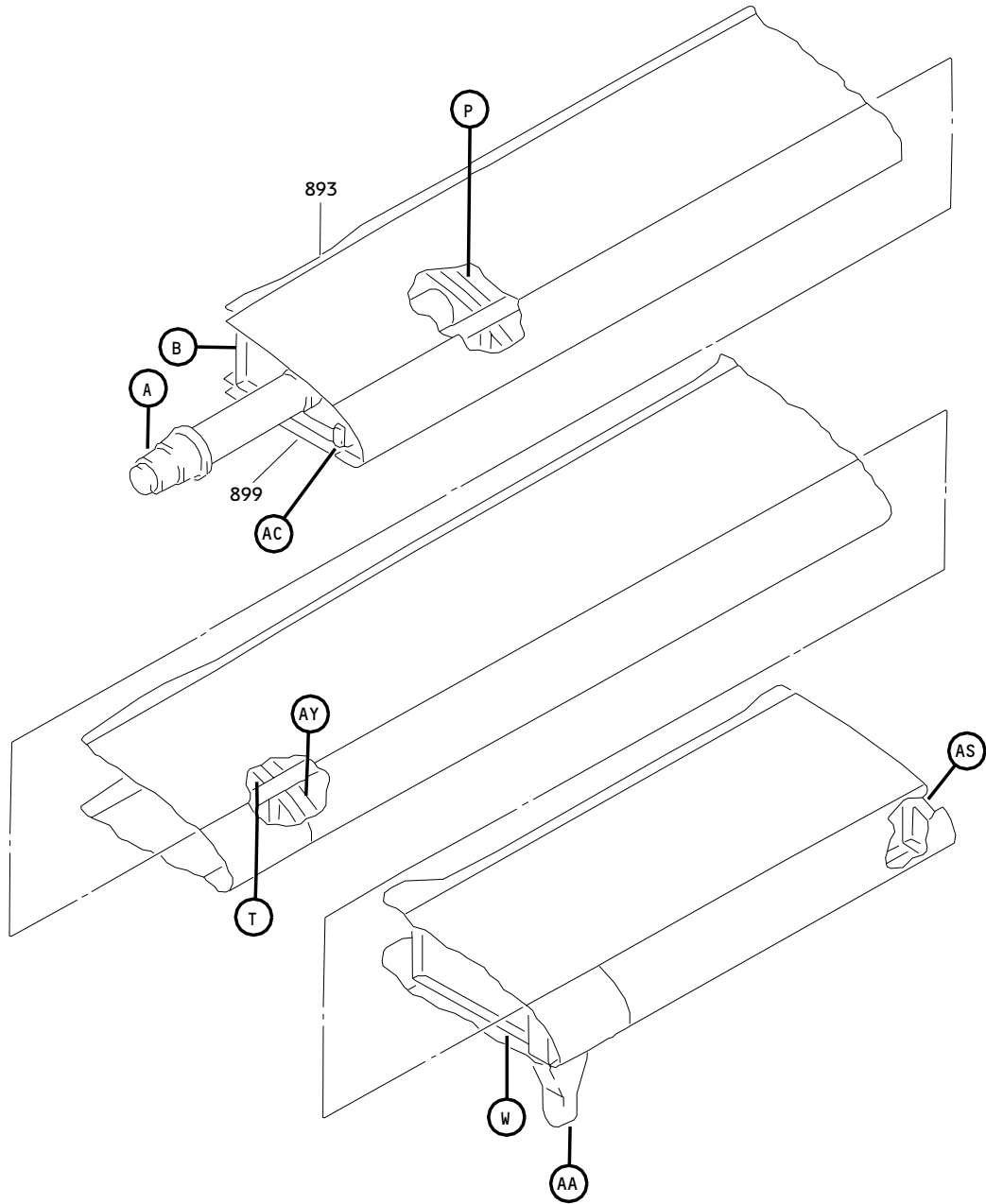

**BOEING**  
 COMPONENT  
 MAINTENANCE MANUAL

FIG. & ITEM	PART NO.	AIRLINE PART NUMBER	NOMENCLATURE 1234567	EFF CODE	QTY PER ASSY
07-914	BACR15BA3AD		...RIVET- (SIZE DETERMINE ON INST) -----*	Y-AR	34
916	113T3144-17		...DOOR	Y-AR	1
918	MS27253F3		.PLATE	Y-AR	1
920	113T2207-29		.BOX ASSY-FWD TORQUE (FOR DETAILS SEE FIG. 8)	Y	1
-920A	113T2207-31		.BOX ASSY-FWD TORQUE (FOR DETAILS SEE FIG. 8)	AA	1
-920B	113T2207-33		.BOX ASSY-FWD TORQUE (FOR DETAILS SEE FIG. 8)	AC,AN	1
-920C	113T2207-401		.BOX ASSY-FWD TORQUE (FOR DETAILS SEE FIG. 8)	AE	1
-920D	113T2207-403		.BOX ASSY-FWD TORQUE (FOR DETAILS SEE FIG. 8)	AG,AQ	1
-920E	113T2207-35		.BOX ASSY-FWD TORQUE (FOR DETAILS SEE FIG. 8)	AJ	1
-920F	113T2207-37		.BOX ASSY-FWD TORQUE (FOR DETAILS SEE FIG. 8)	AL	1
-922	113T2207-30		.BOX ASSY-FWD TORQUE (FOR DETAILS SEE FIG. 8)	Z	1
-922A	113T2207-32		.BOX ASSY-FWD TORQUE (FOR DETAILS SEE FIG. 8)	AB	1
-922B	113T2207-34		.BOX ASSY-FWD TORQUE (FOR DETAILS SEE FIG. 8)	AD,AP	1
-922C	113T2207-402		.BOX ASSY-FWD TORQUE (FOR DETAILS SEE FIG. 8)	AF	1
-922D	113T2207-404		.BOX ASSY-FWD TORQUE (FOR DETAILS SEE FIG. 8)	AH,AR	1
-922E	113T2207-36		.BOX ASSY-FWD TORQUE (FOR DETAILS SEE FIG. 8)	AK	1
-922F	113T2207-38		.BOX ASSY-FWD TORQUE (FOR DETAILS SEE FIG. 8)	AM	1

- Item Not Illustrated

# 57-53-27

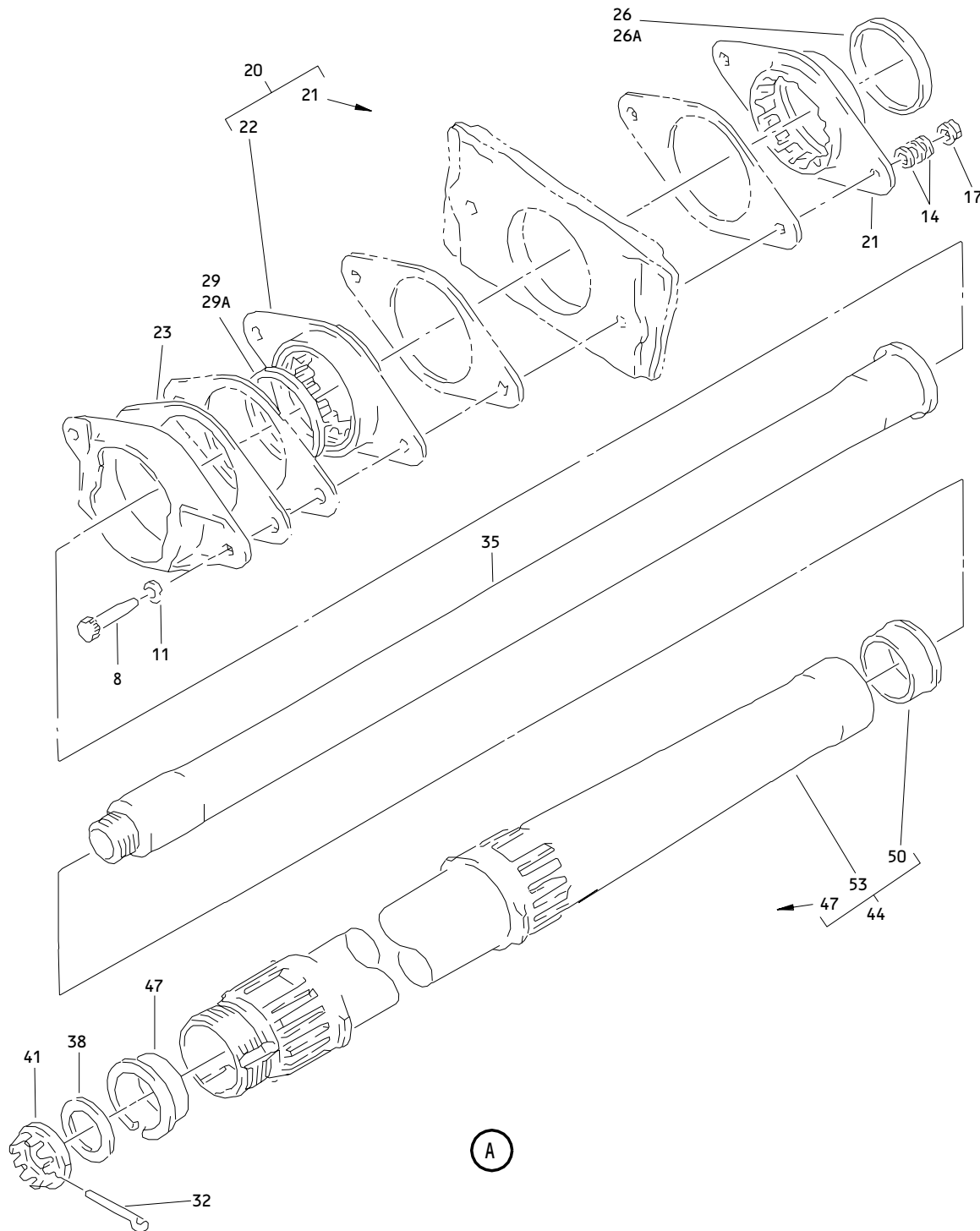
ILLUSTRATED PARTS LIST  
 01.101 Page 1060E  
 Mar 01/05



Box Assembly  
Figure 8 (Sheet 1)

**57-53-27**

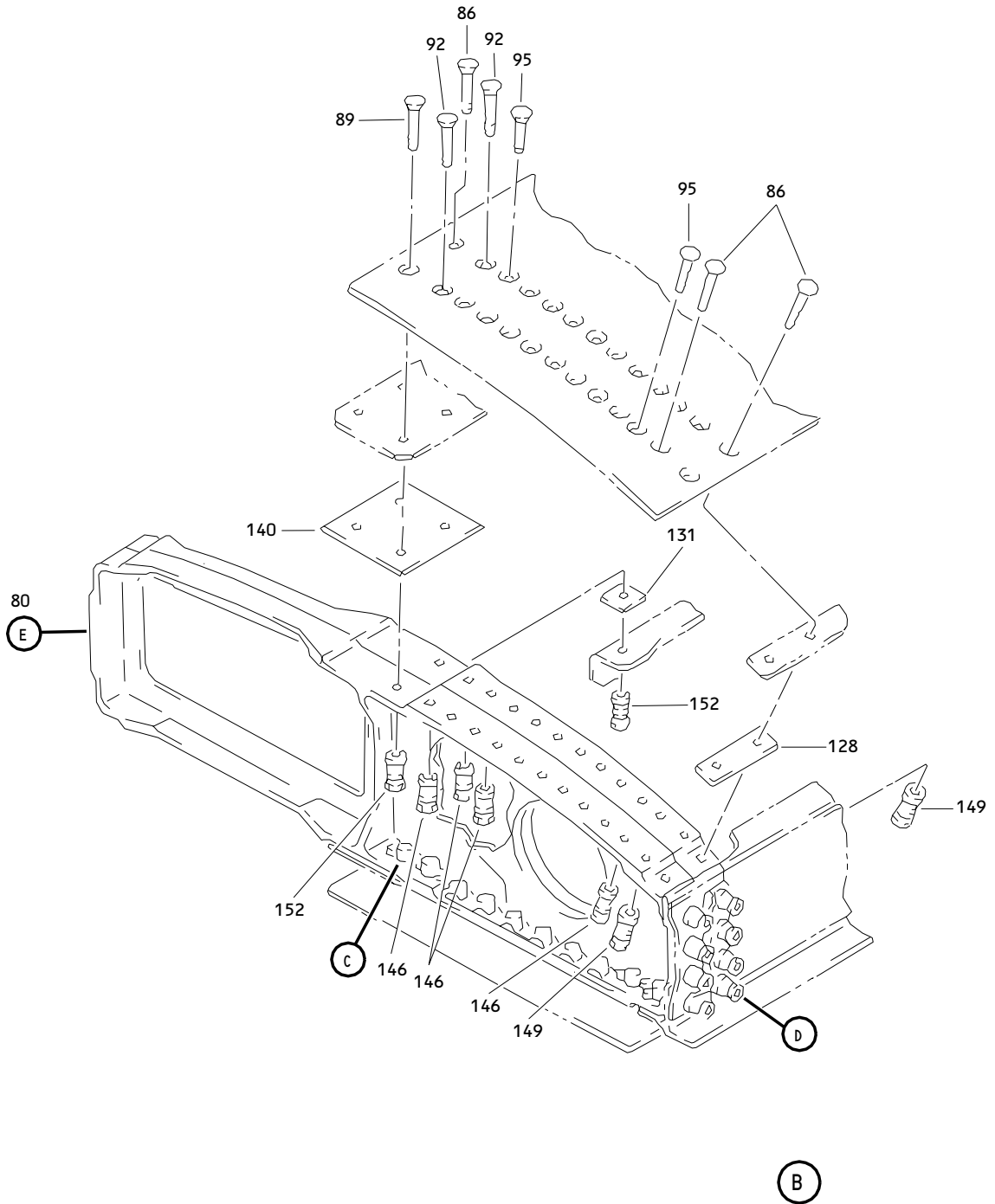
ILLUSTRATED PARTS LIST  
01.101 Page 1060G  
Mar 01/05



**Box Assembly  
 Figure 8 (Sheet 2)**

**57-53-27**

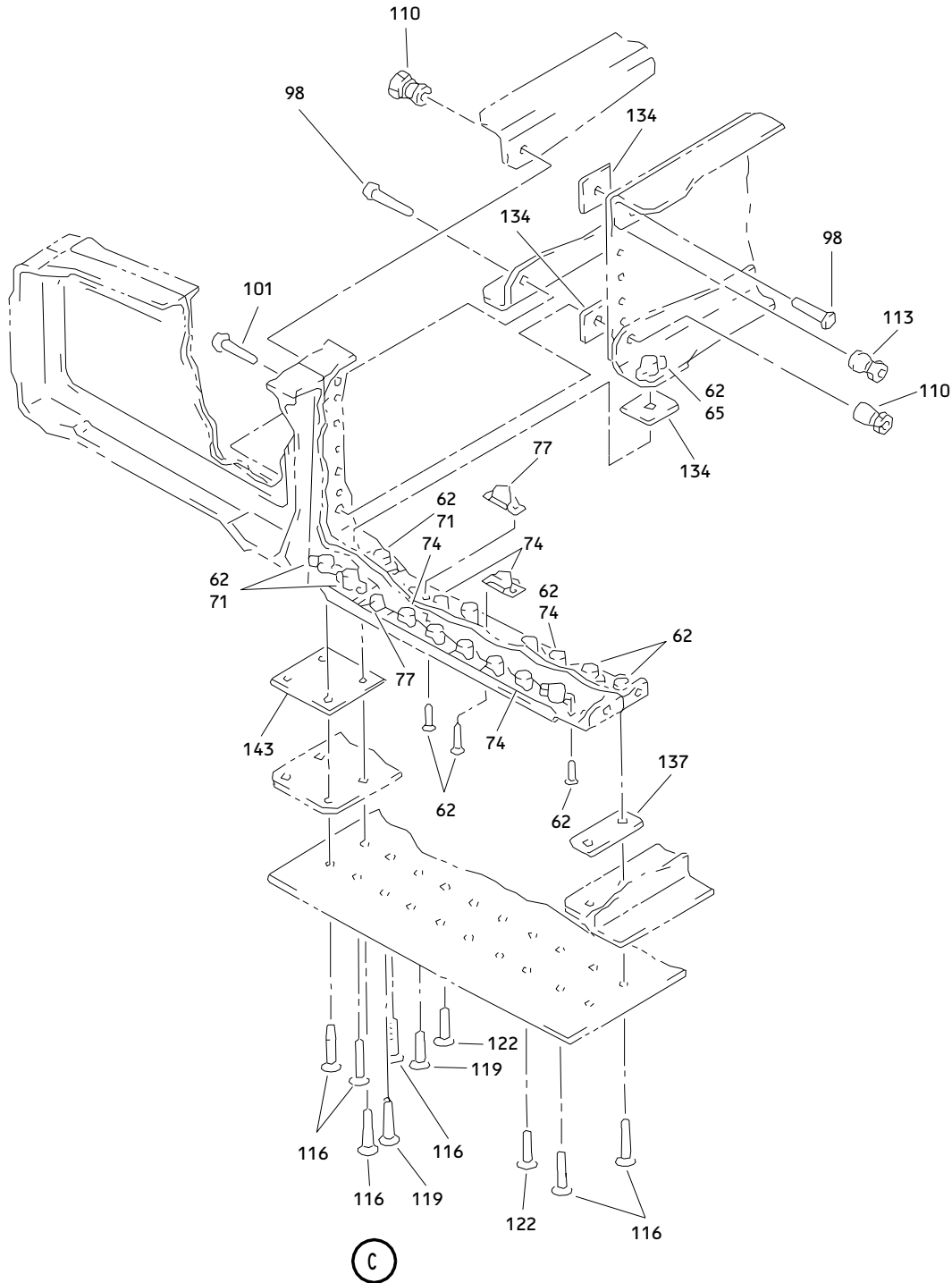
ILLUSTRATED PARTS LIST  
 01.101 Page 1060H  
 Mar 01/05



Box Assembly  
Figure 8 (Sheet 3)

**57-53-27**

ILLUSTRATED PARTS LIST  
01.101 Page 1060I  
Mar 01/05

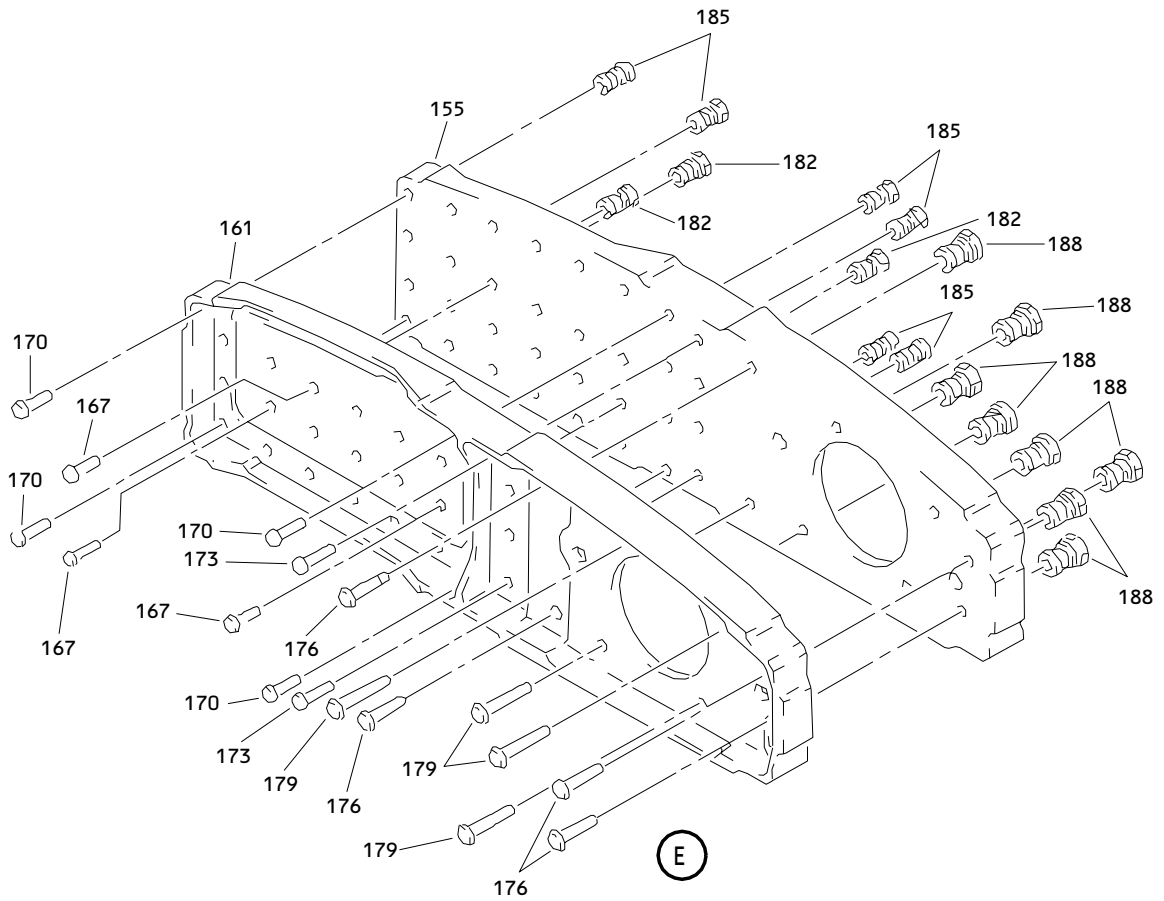
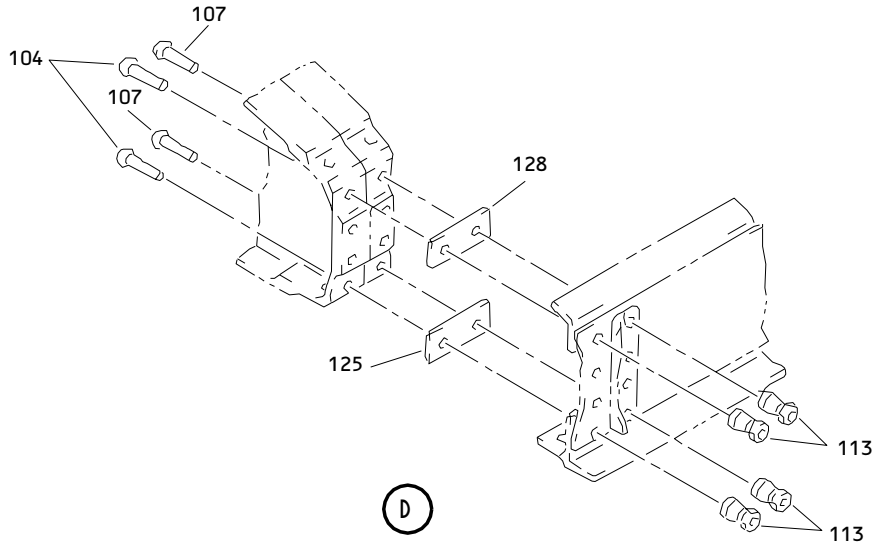


**Box Assembly  
 Figure 8 (Sheet 4)**

**57-53-27**

ILLUSTRATED PARTS LIST  
 01.101 Page 1060J  
 Mar 01/05

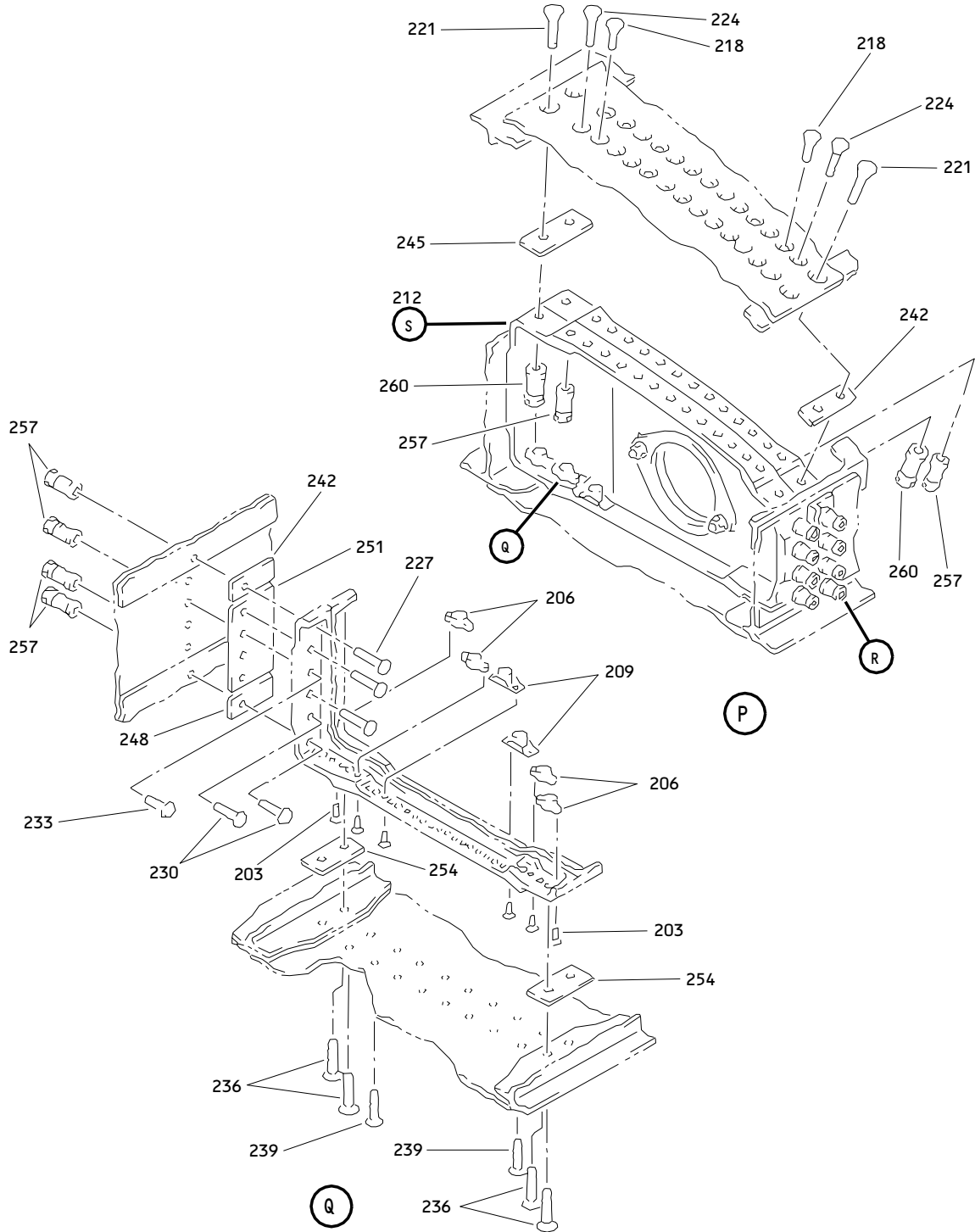




Box Assembly  
 Figure 8 (Sheet 5)

**57-53-27**

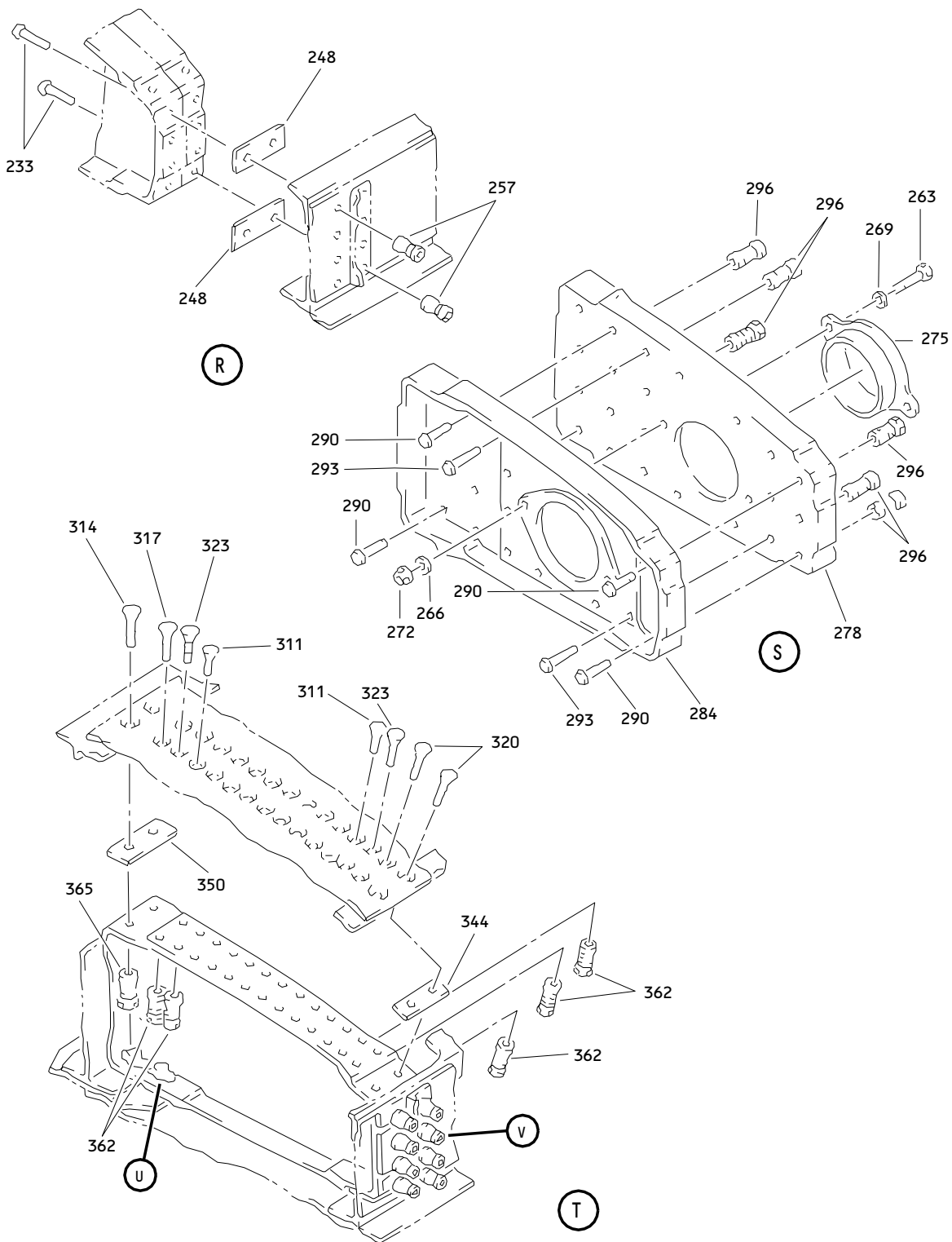
ILLUSTRATED PARTS LIST  
 01.101 Page 1060K  
 Mar 01/05



Box Assembly  
Figure 8 (Sheet 6)

**57-53-27**

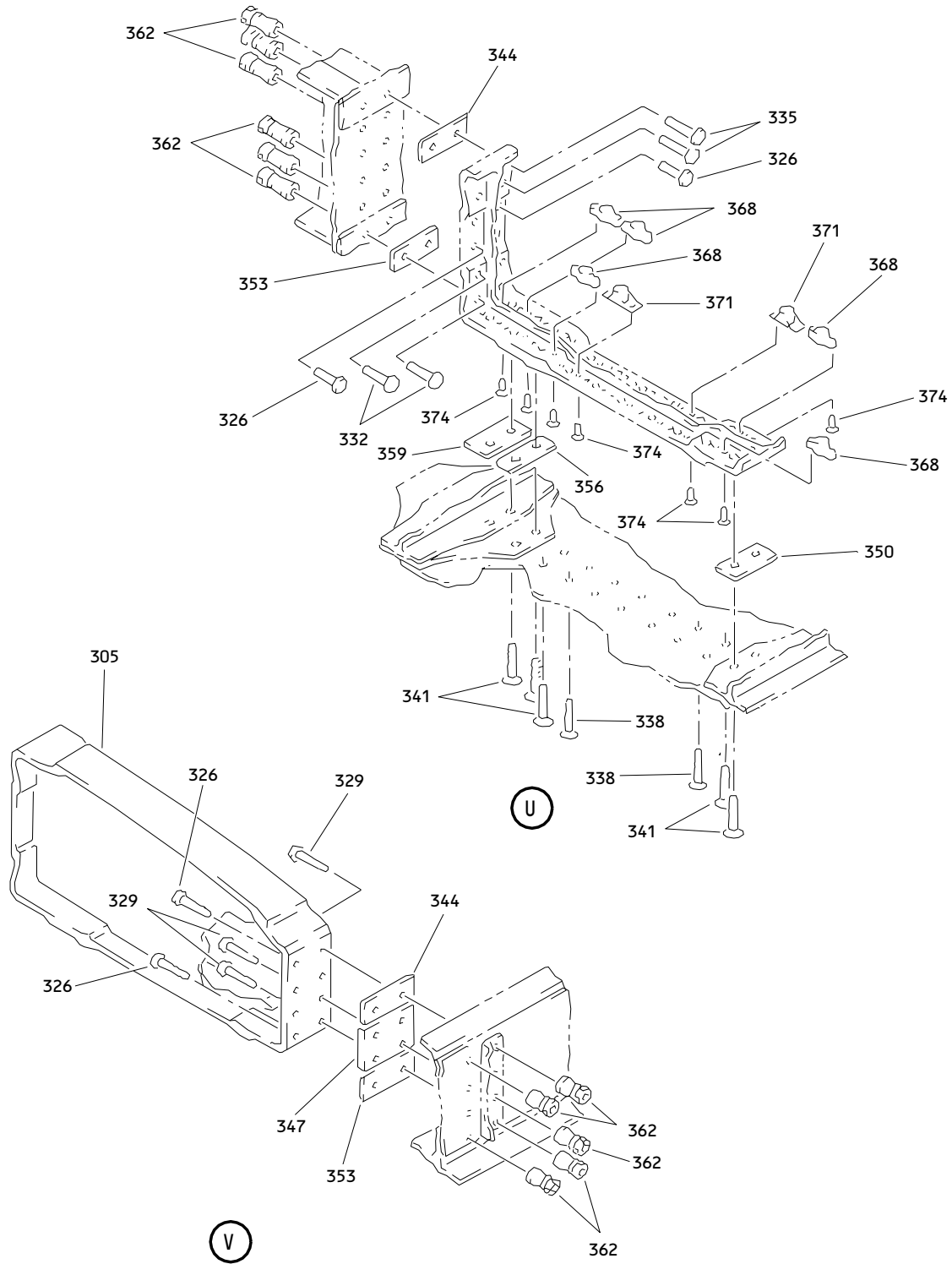
ILLUSTRATED PARTS LIST  
01.101 Page 1060L  
Mar 01/05



Box Assembly  
Figure 8 (Sheet 7)

**57-53-27**

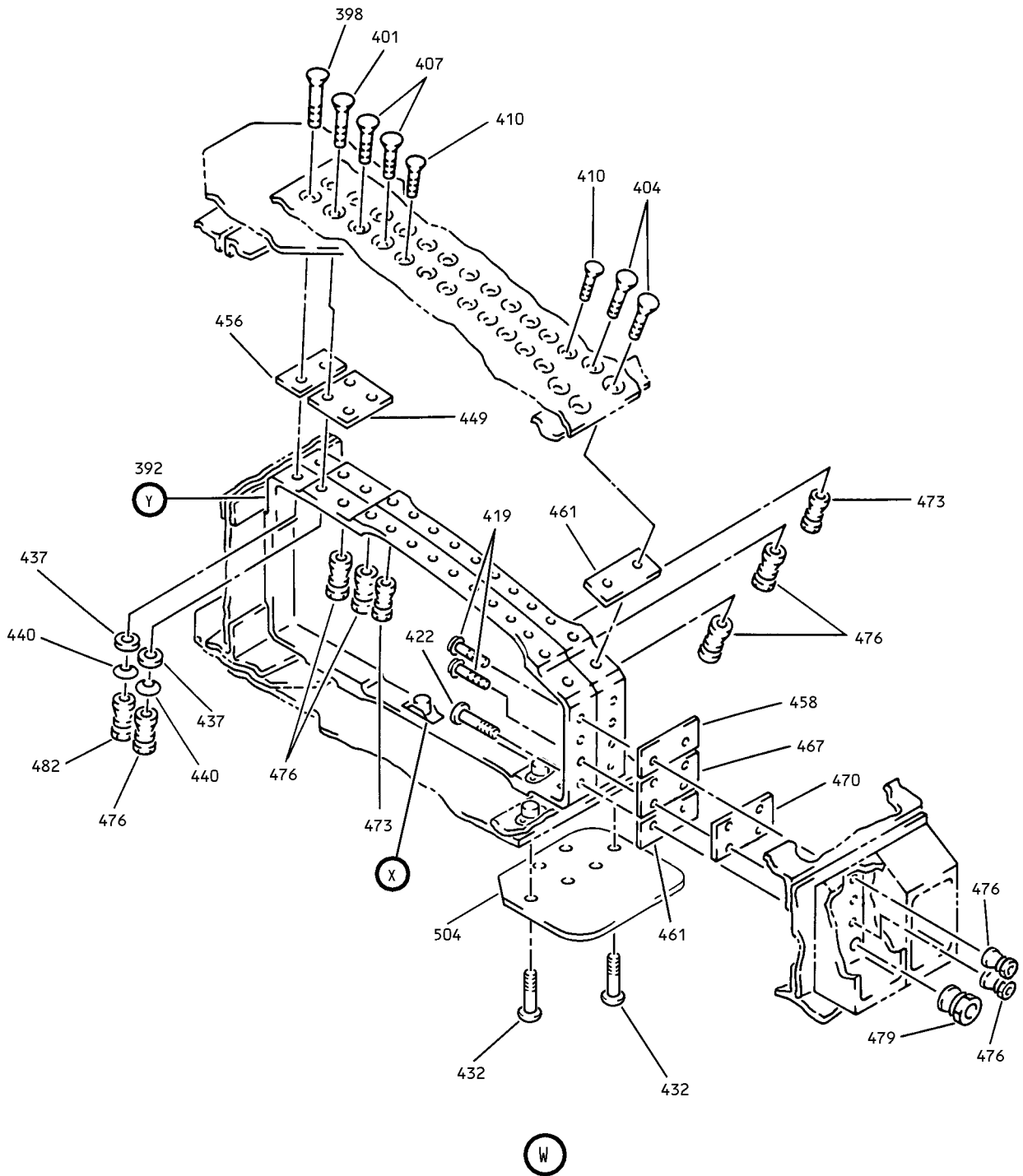
ILLUSTRATED PARTS LIST  
01.101 Page 1060M  
Mar 01/05



Box Assembly  
Figure 8 (Sheet 8)

**57-53-27**

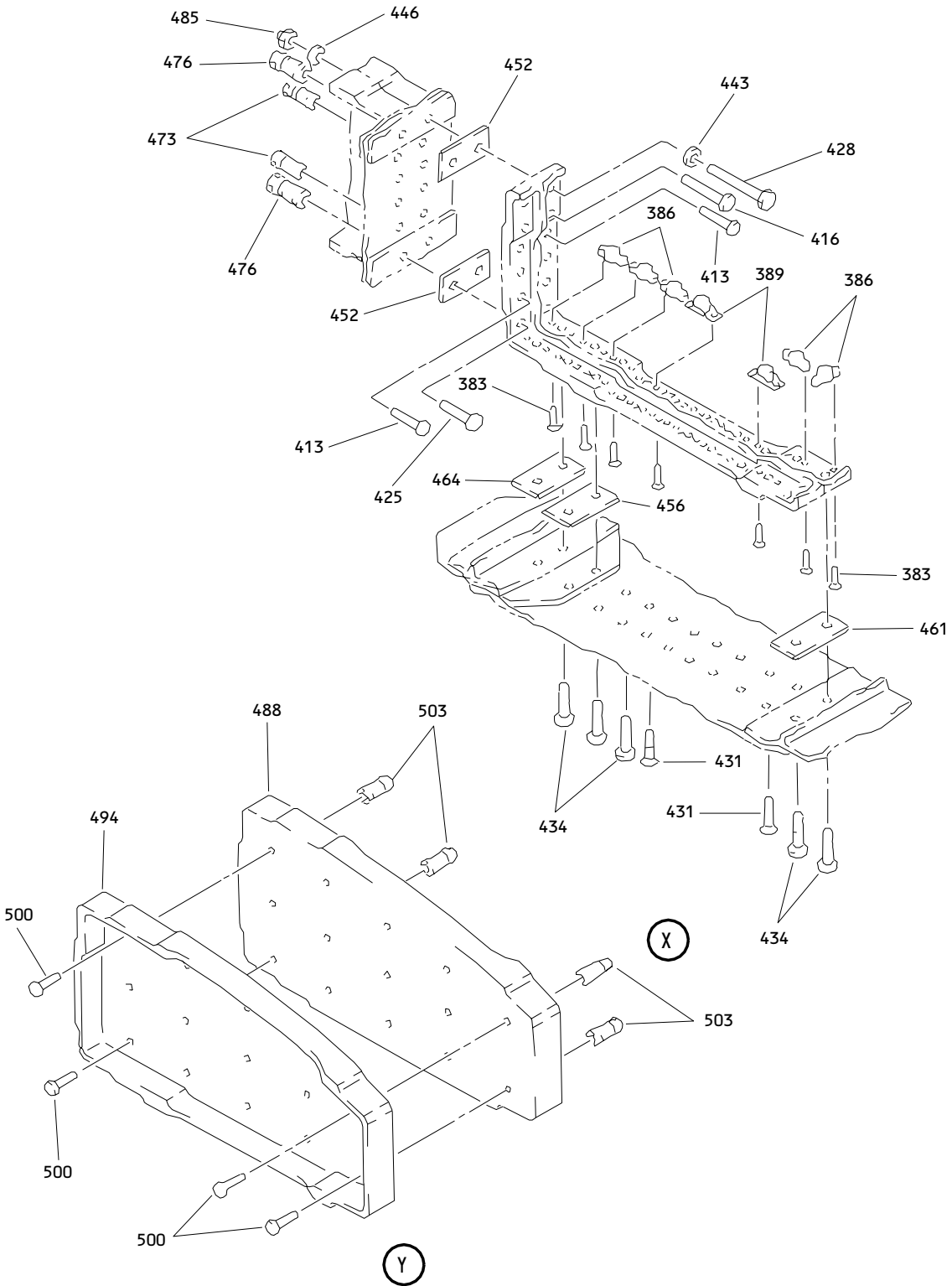
ILLUSTRATED PARTS LIST  
01.101 Page 1060N  
Mar 01/05



Box Assembly  
Figure 8 (Sheet 9)

**57-53-27**

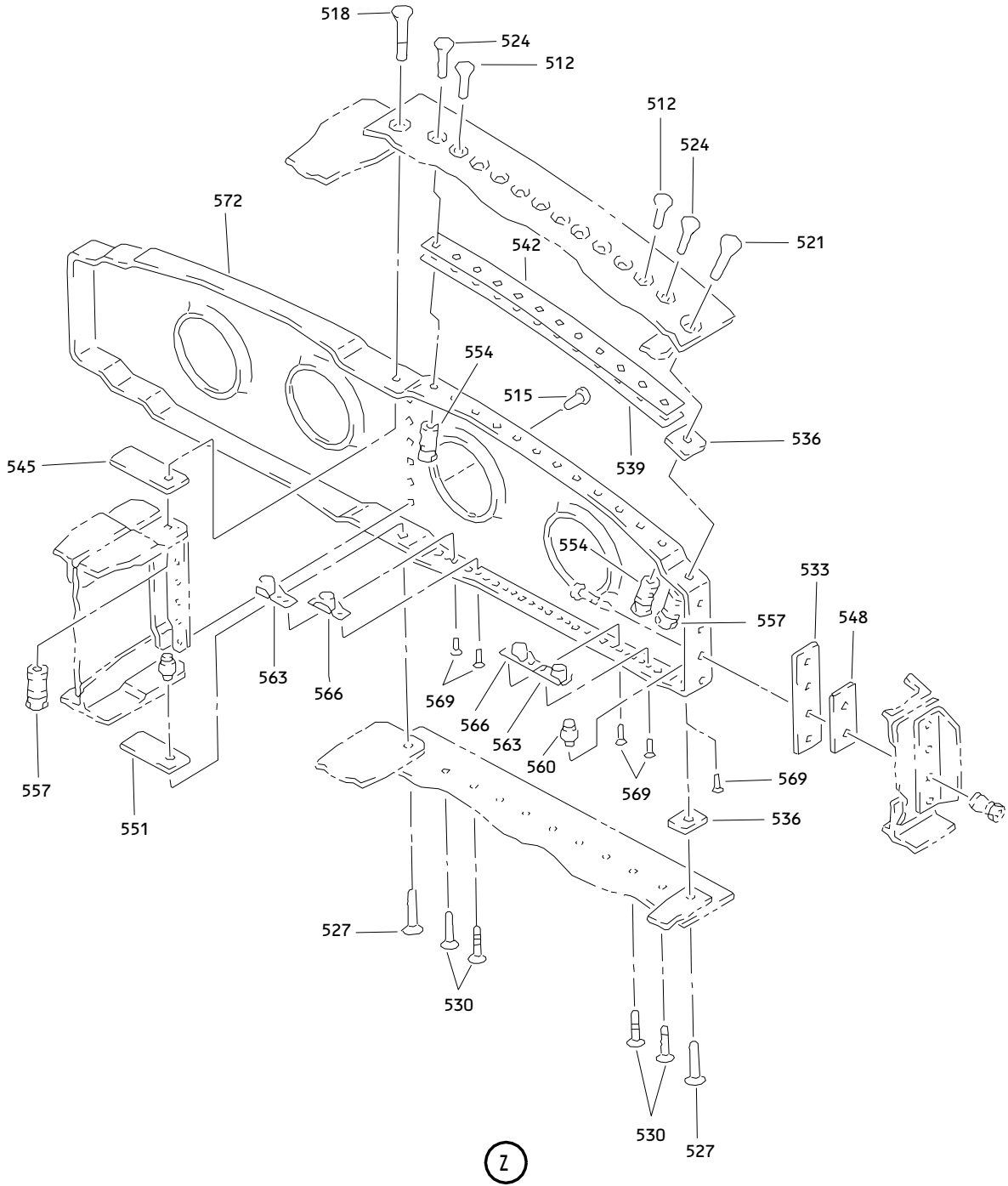
ILLUSTRATED PARTS LIST  
01.101 Page 10600  
Mar 01/05



**Box Assembly  
 Figure 8 (Sheet 10)**

**57-53-27**

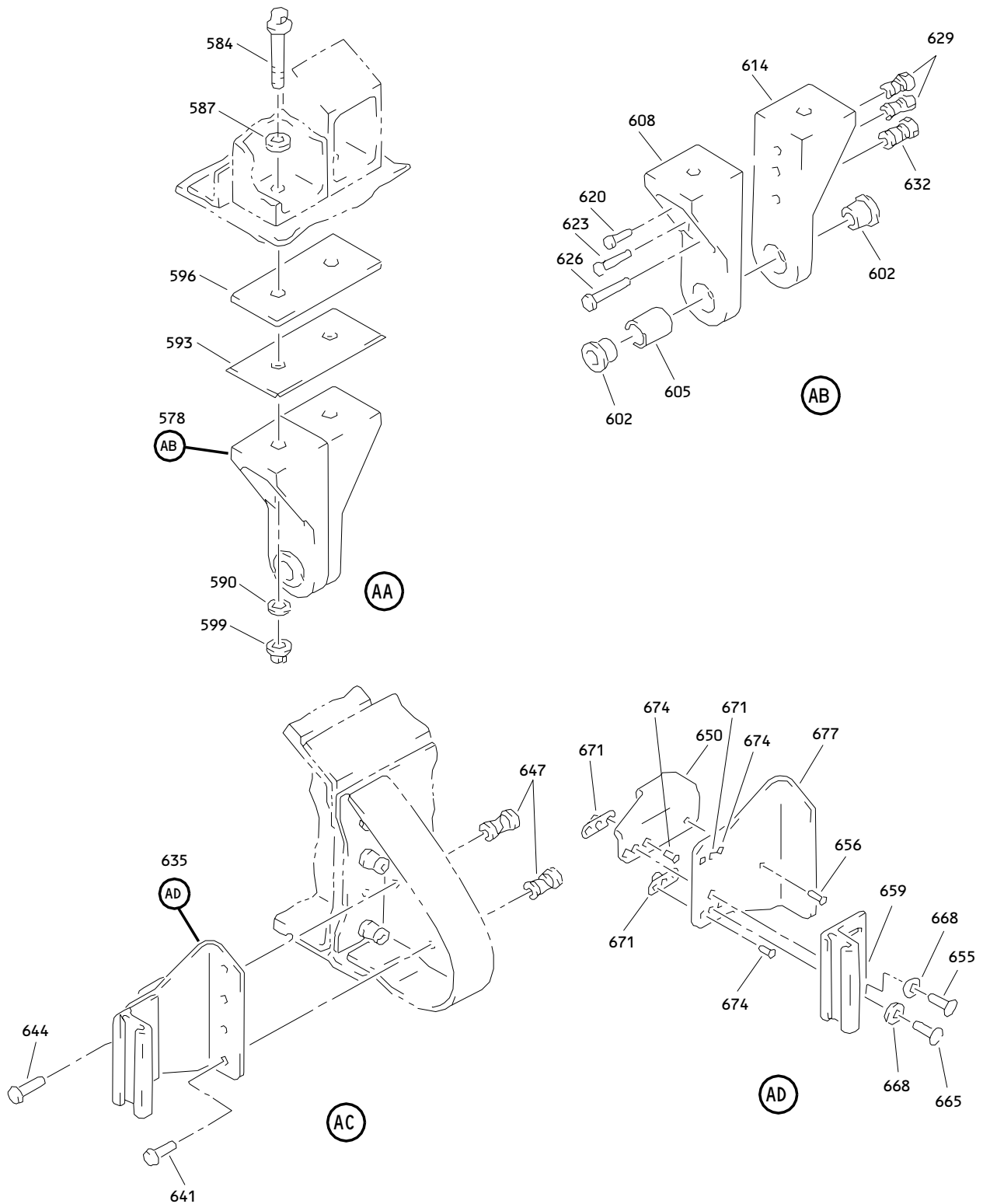
ILLUSTRATED PARTS LIST  
 01.101 Page 1060P  
 Mar 01/05



Box Assembly  
Figure 8 (Sheet 11)

**57-53-27**

ILLUSTRATED PARTS LIST  
01.101 Page 1060Q  
Mar 01/05

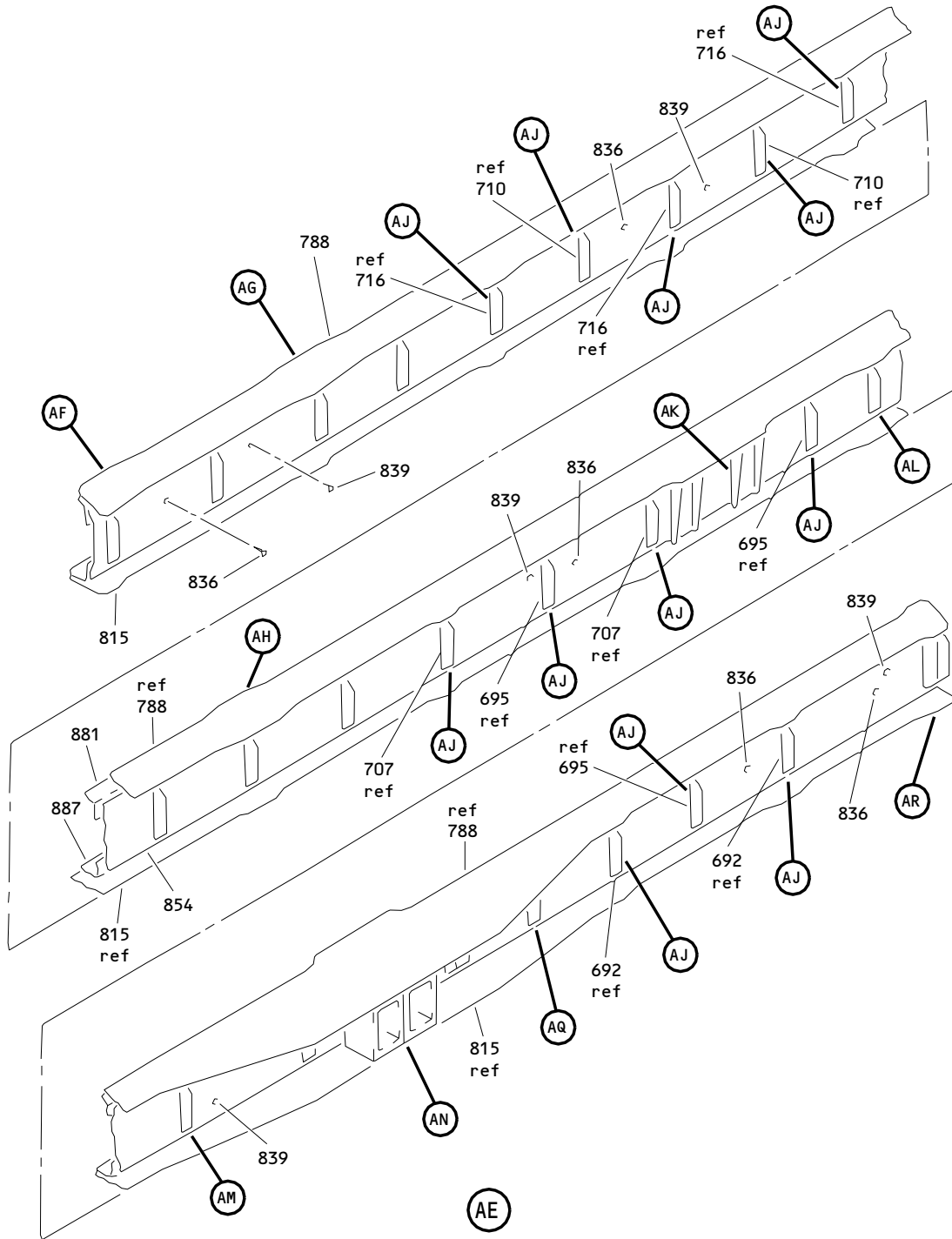


Box Assembly  
 Figure 8 (Sheet 12)

**57-53-27**

ILLUSTRATED PARTS LIST  
 01.101 Page 1060R  
 Mar 01/05

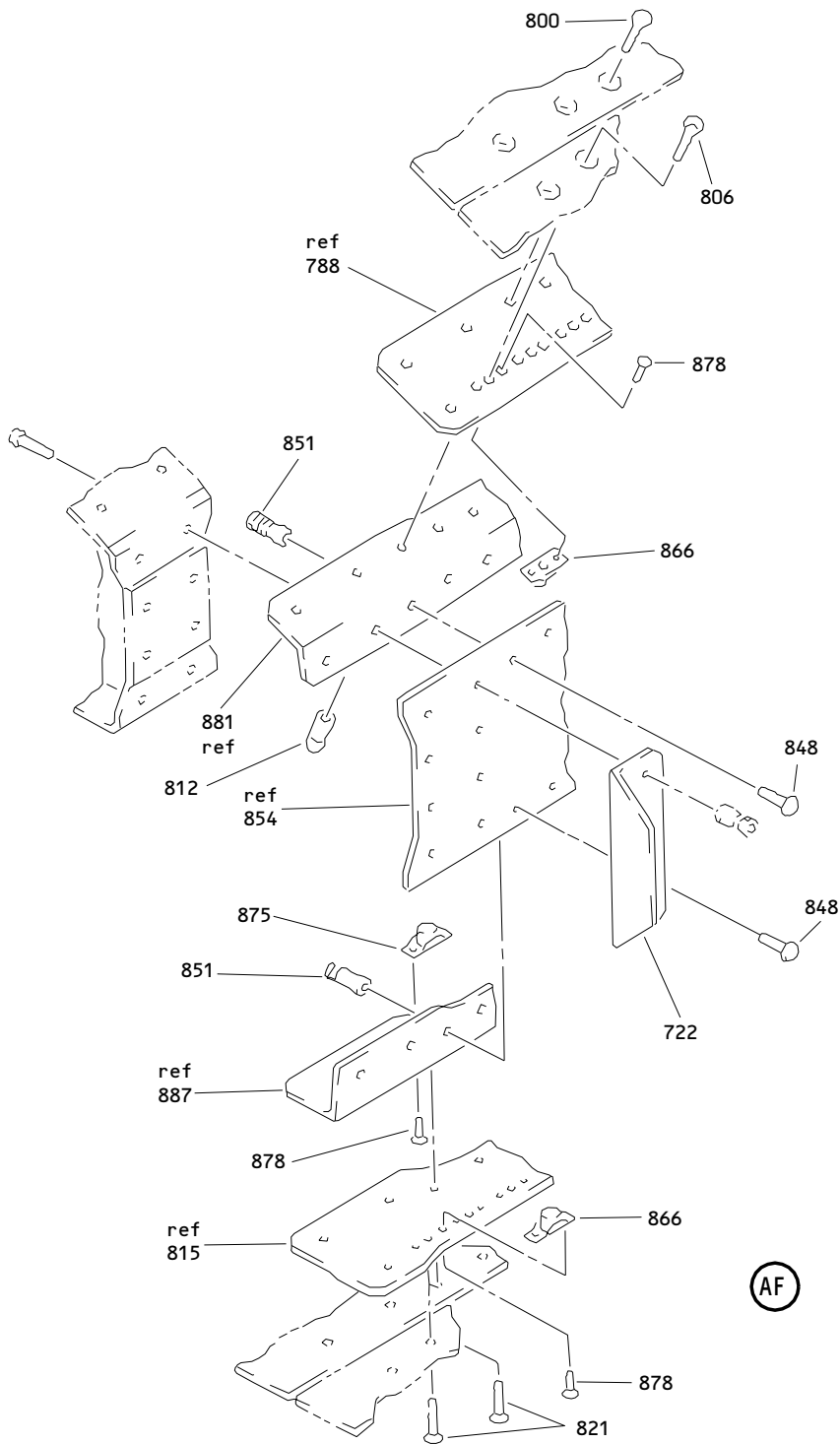




Box Assembly  
 Figure 8 (Sheet 13)

**57-53-27**

ILLUSTRATED PARTS LIST  
 01.101 Page 1060S  
 Mar 01/05

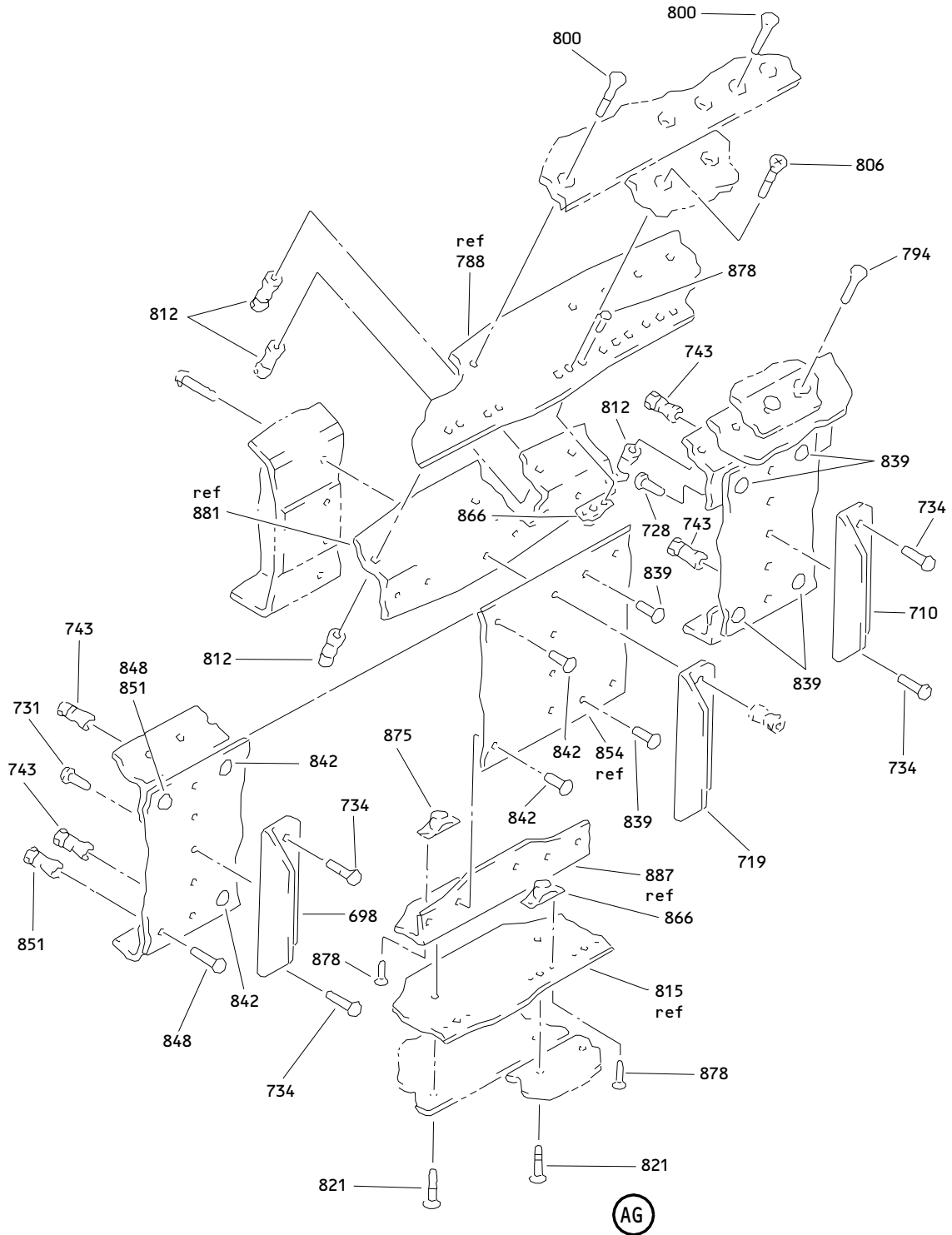


AF

**Box Assembly  
 Figure 8 (Sheet 14)**

**57-53-27**

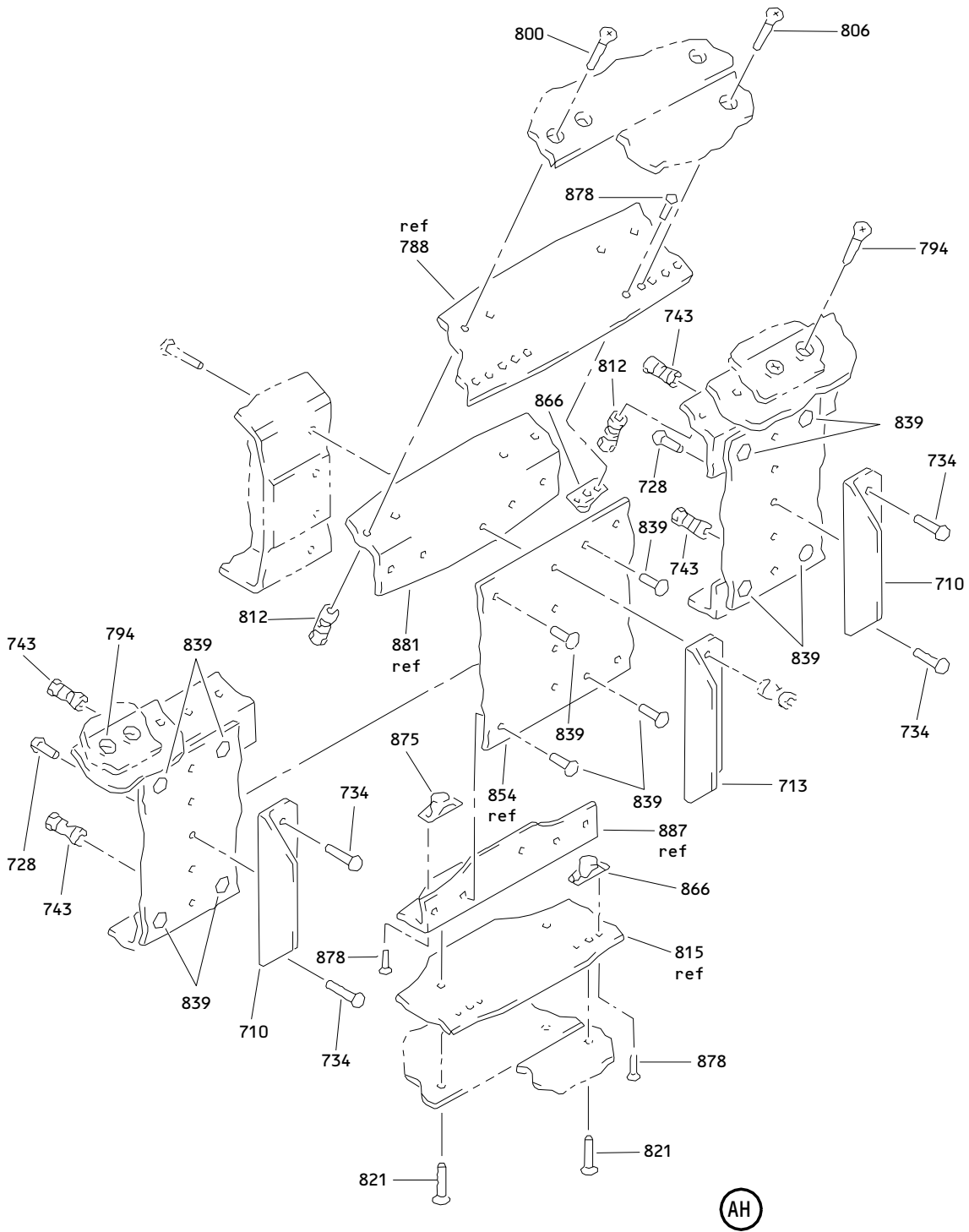
ILLUSTRATED PARTS LIST  
 01.101 Page 1060T  
 Mar 01/05



Box Assembly  
Figure 8 (Sheet 15)

**57-53-27**

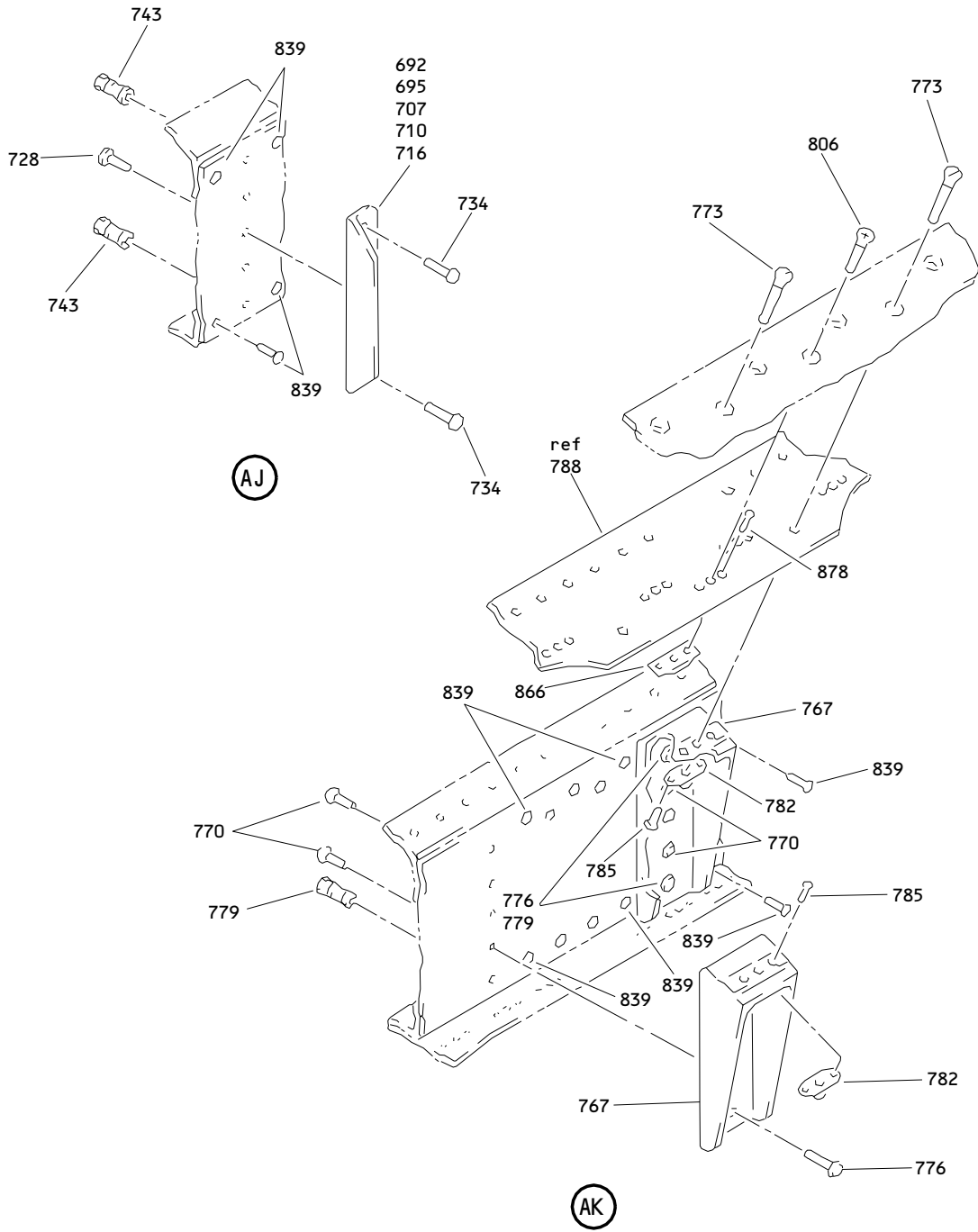
ILLUSTRATED PARTS LIST  
01.101 Page 1060U  
Mar 01/05



Box Assembly  
 Figure 8 (Sheet 16)

**57-53-27**

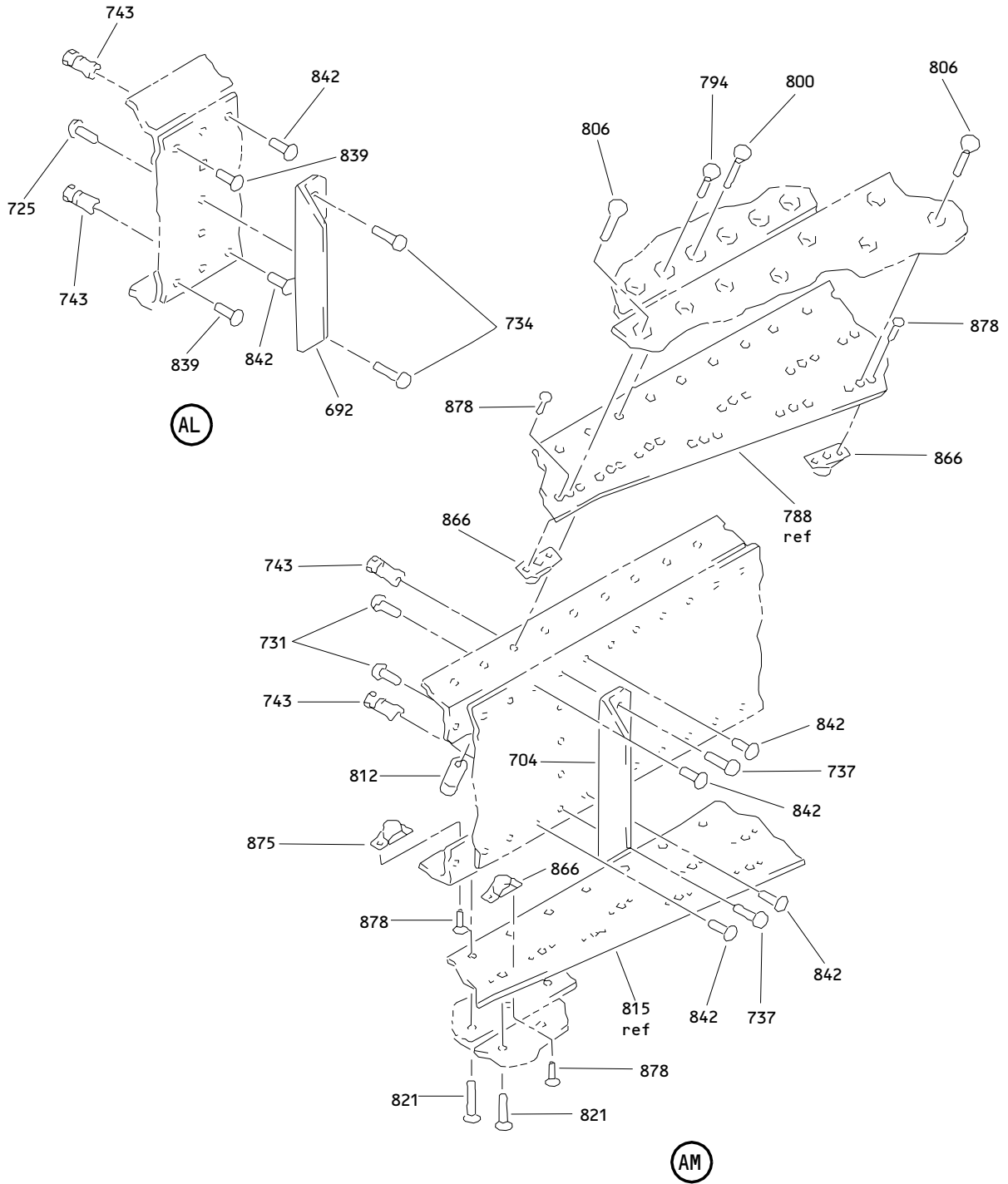
ILLUSTRATED PARTS LIST  
 01.101 Page 1060V  
 Mar 01/05



Box Assembly  
Figure 8 (Sheet 17)

**57-53-27**

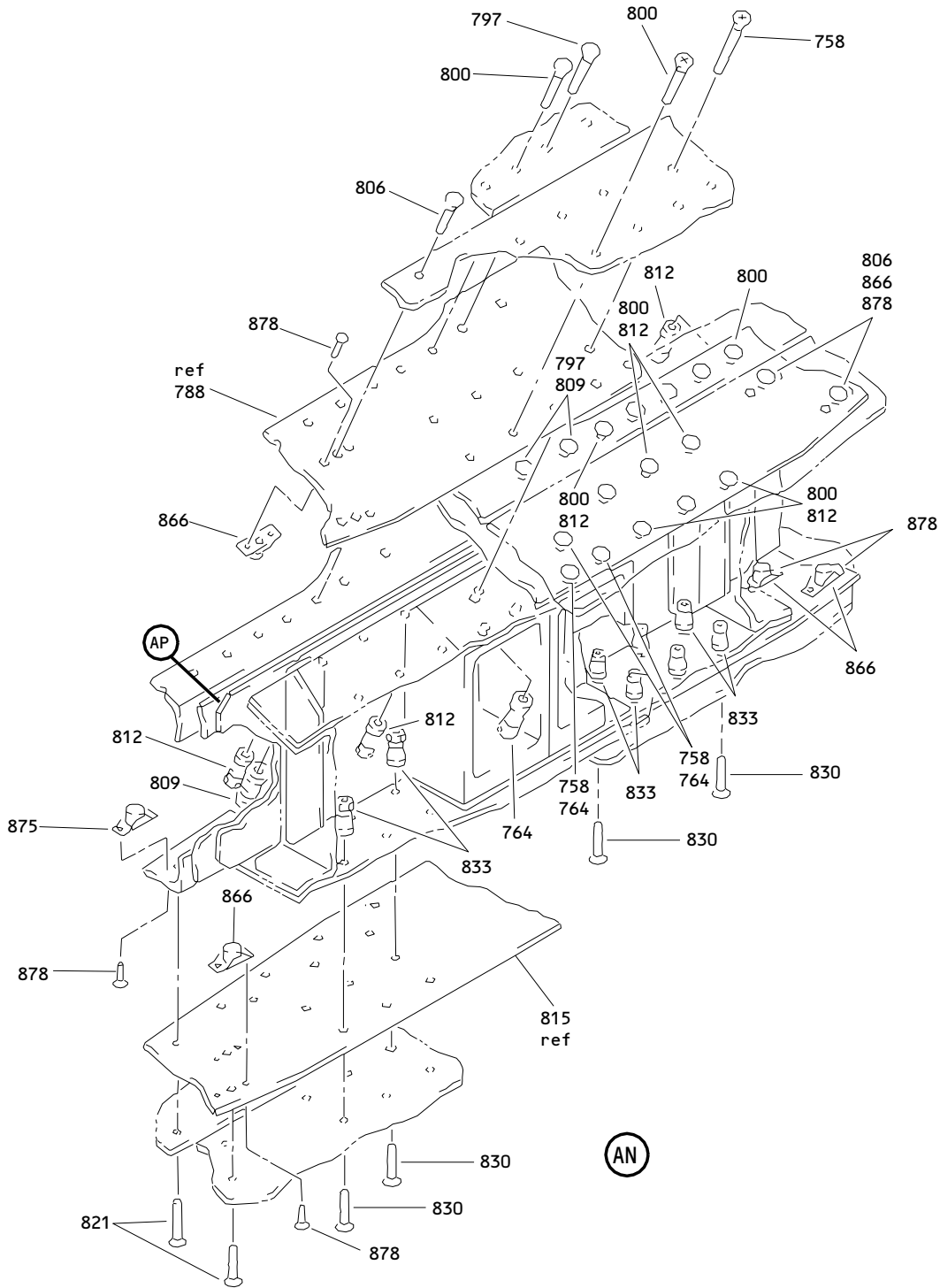
ILLUSTRATED PARTS LIST  
01.101 Page 1060W  
Mar 01/05



Box Assembly  
Figure 8 (Sheet 18)

**57-53-27**

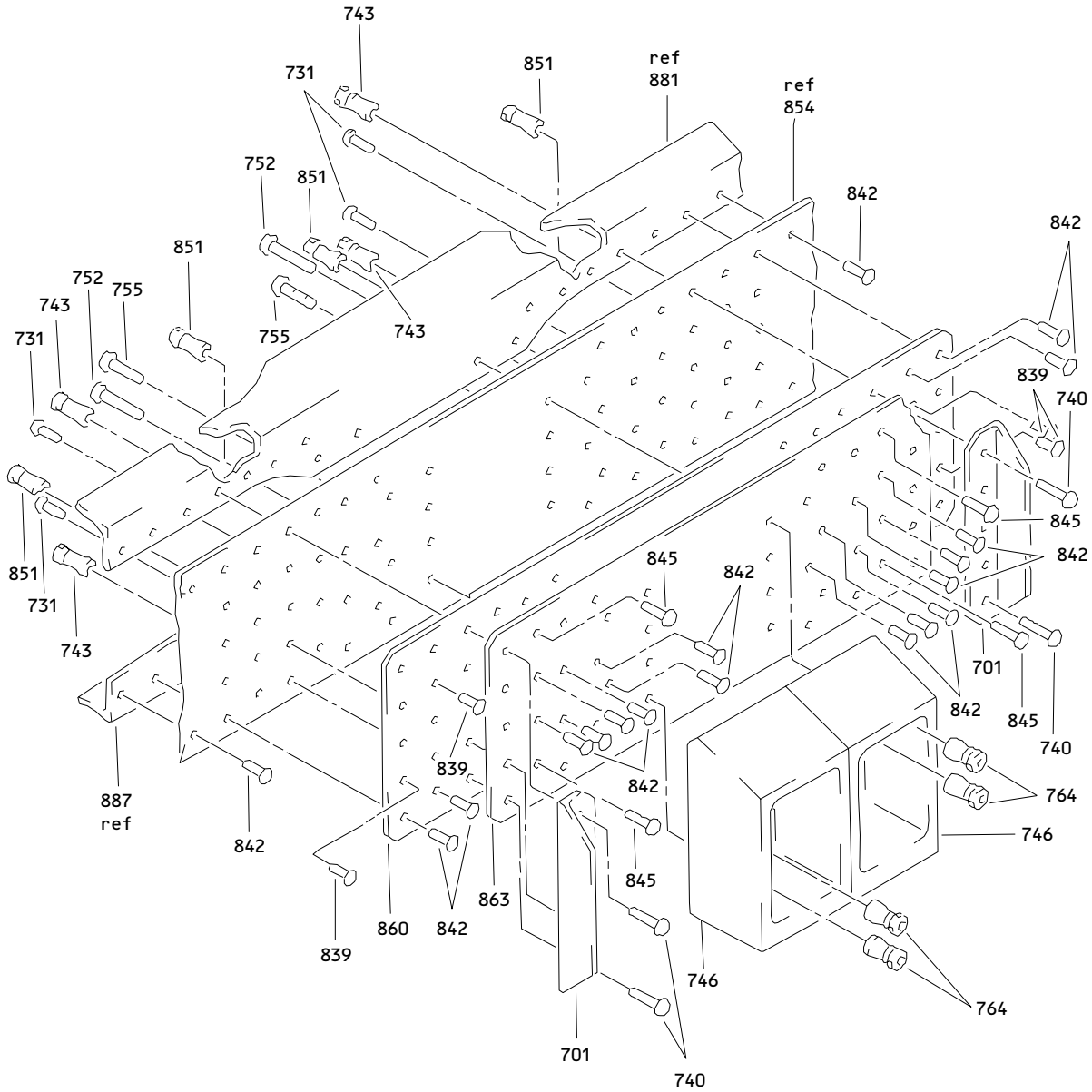
ILLUSTRATED PARTS LIST  
01.101 Page 1060X  
Mar 01/05



Box Assembly  
 Figure 8 (Sheet 19)

**57-53-27**

ILLUSTRATED PARTS LIST  
 01.101 Page 1060Y  
 Mar 01/05



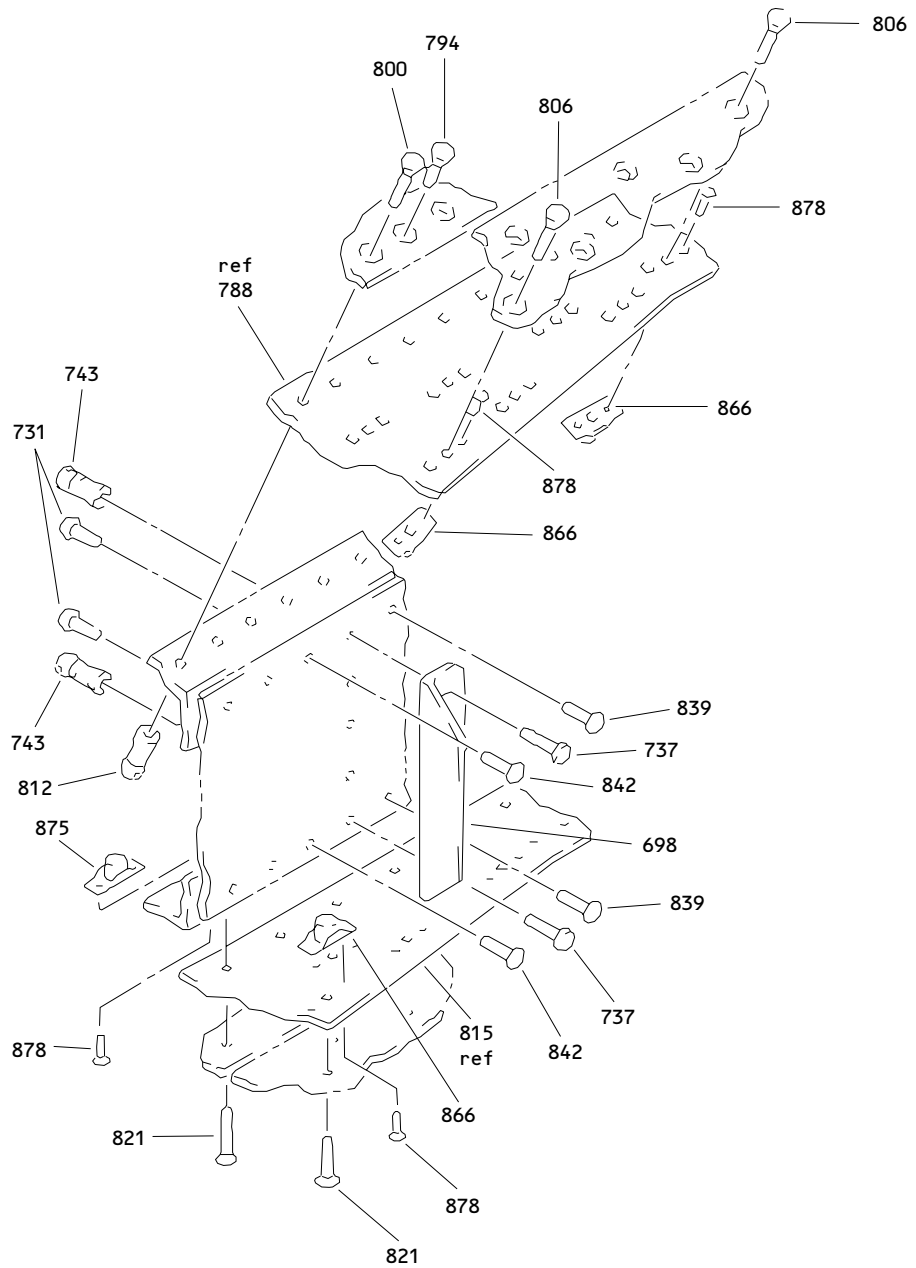
AP

Box Assembly  
 Figure 8 (Sheet 20)

**57-53-27**

ILLUSTRATED PARTS LIST  
 01.101 Page 1060Z  
 Mar 01/05

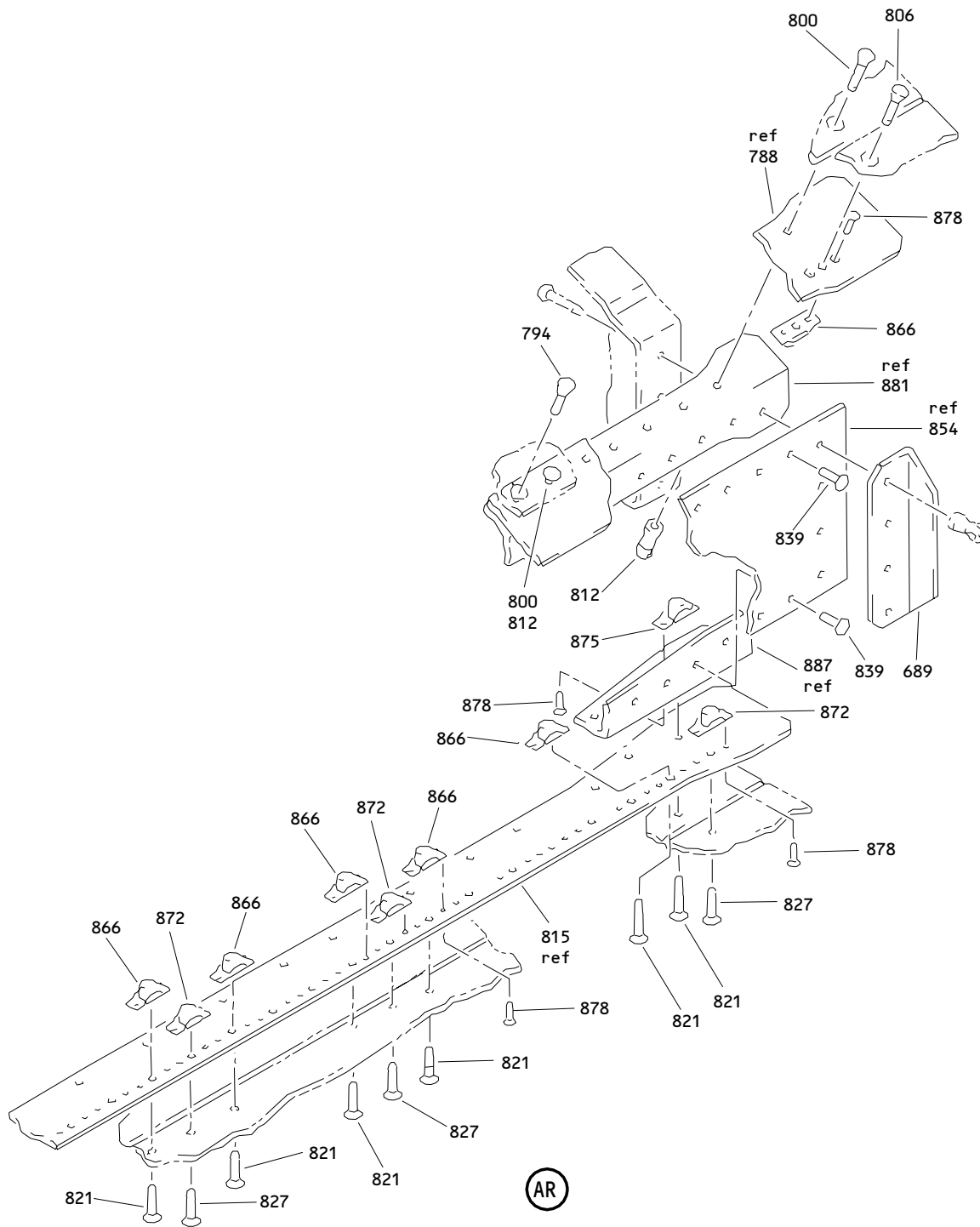




Box Assembly  
Figure 8 (Sheet 21)

**57-53-27**

ILLUSTRATED PARTS LIST  
01.101 Page 1061  
Mar 01/05



Box Assembly  
 Figure 8 (Sheet 22)

**57-53-27**

ILLUSTRATED PARTS LIST  
 01.101 Page 1062  
 Mar 01/05


**BOEING**  
 COMPONENT  
 MAINTENANCE MANUAL

FIG. & ITEM	PART NO.	AIRLINE PART NUMBER	NOMENCLATURE 1234567	EFF CODE	QTY PER ASSY
08- -1	113T2207-29		BOX ASSY-INBD TE FLAP MAIN FLAP FWD TORQUE (LH)	Y	RF
-1A	113T2207-31		BOX ASSY-INBD TE FLAP MAIN FLAP FWD TORQUE (LH)	AA	RF
-1B	113T2207-33		BOX ASSY-INBD TE FLAP MAIN FLAP FWD TORQUE (LH)	AC,AN	RF
-1C	113T2207-401		BOX ASSY-INBD TE FLAP MAIN FLAP FWD TORQUE (LH)	AE	RF
-1D	113T2207-403		BOX ASSY-INBD TE FLAP MAIN FLAP FWD TORQUE (LH)	AG,AQ	RF
-1E	113T2207-35		BOX ASSY-INBD TE FLAP MAIN FLAP FWD TORQUE (LH)	AJ	RF
-1F	113T2207-37		BOX ASSY-INBD TE FLAP MAIN FLAP FWD TORQUE (LH)	AL	RF
-5	113T2207-30		BOX ASSY-INBD TE FLAP MAIN FLAP FWD TORQUE (RH)	Z	RF
-5A	113T2207-32		BOX ASSY-INBD TE FLAP MAIN FLAP FWD TORQUE (RH)	AB	RF
-5B	113T2207-34		BOX ASSY-INBD TE FLAP MAIN FLAP FWD TORQUE (RH)	AD,AP	RF
-5C	113T2207-402		BOX ASSY-INBD TE FLAP MAIN FLAP FWD TORQUE (RH)	AF	RF
-5D	113T2207-404		BOX ASSY-INBD TE FLAP MAIN FLAP FWD TORQUE (RH)	AH,AR	RF
-5E	113T2207-36		BOX ASSY-INBD TE FLAP MAIN FLAP FWD TORQUE (RH)	AK	RF
-5F	113T2207-38		BOX ASSY-INBD TE FLAP MAIN FLAP FWD TORQUE (RH)	AM	RF
8	BACB30LT10K31		.BOLT	Y-AP	2
11	BACW10BP10C		.WASHER	Y-AD, AN-AP	2
-11A	BACW10BP10CD		.WASHER	AE-AM ,AQ,A R	2

57-53-27

 ILLUSTRATED PARTS LIST  
 01.101 Page 1062A  
 Mar 01/05

FIG. & ITEM	PART NO.	AIRLINE PART NUMBER	NOMENCLATURE 1234567	EFF CODE	QTY PER ASSY
08-14	BACW10BP10P		.WASHER	Y-AD, AN-AP	AR
-14A	BACW10BP10DP		.WASHER	AE-AM ,AQ,A R	AR
17	BMN4122AD3-10		.NUT- (V97928) (SPEC BACN10JC10) (OPT BMN4122A10 (V85495)) (OPT H10-10BAC (V15653)) (OPT RMLH9074-10 (V72962)) (OPT 48FT1018 (V56878))	Y-AD, AN-AP	2
-17A	102LH9074-10		.NUT- (V72962) (SPEC BACN10JC10CD) (OPT H51650-10BAC (V15653)) (OPT 69235-1018CD (V92215)) (OPT BMN4122CPD8-10 (V97928))	AE-AM ,AQ,A R	2
20	113T2253-3		.BUSHING ASSY-(MATCHED SET) (PRE SB 767-57A0066R3)	Y-AD, AJ,AK ,AN-A P	1
-20A	113T2253-401		.BUSHING ASSY-(MATCHED SET)	AE-AH ,AL,A M,AQ, AR	1
-20B	113T2253-7		.BUSHING ASSY-(MATCHED SET) (OPT ITEM 20C) (POST SB 767-57A0066R3)	Y-AD, AJ,AK ,AN-A P	1
-20C	113T2253-401		.BUSHING ASSY-(MATCHED SET) (OPT ITEM 20B) (POST SB 767-57A0066R3)	Y-AD, AJ,AK ,AN-A P	1

57-53-27

 ILLUSTRATED PARTS LIST  
 01.101 Page 1062B  
 Mar 01/05


**BOEING**  
 COMPONENT  
 MAINTENANCE MANUAL

FIG. & ITEM	PART NO.	AIRLINE PART NUMBER	NOMENCLATURE 1234567	EFF CODE	QTY PER ASSY
08-21	113T2253-1		..BUSHING- (USED ON ITEM 20)	Y-AD, AJ,AK ,AN-A P	1
-21A	113T2253-403		..BUSHING- (USED ON ITEMS 20A, 20C)	Y-AR	1
-21B	113T2253-5		..BUSHING- (USED ON ITEM 20B)	Y-AD, AJ,AK ,AN-A P	1
22	113T2253-2		..BUSHING- (USED ON ITEM 20)	Y-AD, AJ,AK ,AN-A P	1
-22A	113T2253-405		..BUSHING- (USED ON ITEMS 20A, 20C)	Y-AR	1
-22B	113T2253-6		..BUSHING- (USED ON ITEM 20B)	Y-AD, AJ,AK ,AN-A P	1
23	113T2110-2		.SHIM	Y-AR	1
26	113T1256-35		.SEAL- (OPT ITEM 26A)	Y-AR	1
26A	113T1256-45		.SEAL- (OPT ITEM 26)	Y-AR	1
29	113T1256-36		.SEAL- (OPT ITEM 29A)	Y-AR	1
29A	113T1256-47		.SEAL- (OPT ITEM 29)	Y-AR	1
32	MS24665-448		.PIN-COTTER	Y-AD, AN-AP	1

57-53-27

 ILLUSTRATED PARTS LIST  
 01.101 Page 1062C  
 Mar 01/05

FIG. & ITEM	PART NO.	AIRLINE PART NUMBER	NOMENCLATURE 1234567	EFF CODE	QTY PER ASSY
08- -32A	BACP18BC05A24P		.PIN-COTTER	AE-AM ,AQ,A R	1
35	113T2251-3		.TUBE	Y-AD, AJ,AK ,AN-A P	1
-35A	113T2251-401		.TUBE	AE-AH ,AL,A M,AQ, AR	1
38	113T2106-10		.WASHER	Y-AR	1
41	MS21025-32		.NUT	Y-AR	1
44	113T2250-1		.TUBE ASSY- (PRE SB 767-57A0066R2)	Y-AB	1
-44A	113T2250-5		.TUBE ASSY- (PRE SB 767-57A0066R3)	AC,AD ,AJ,A K,AN, AP	1
-44B	113T2250-401		.TUBE ASSY	AE-AH ,AL,A M,AQ, AR	1
-44C	113T2250-5		.TUBE ASSY- (OPT ITEMS 44D, 44E) (POST SB 767-57A0066R2)	Y-AD, AJ,AK ,AN,A P	1
-44D	113T2250-7		.TUBE ASSY- (OPT ITEMS 44C, 44E) (POST SB 767-57A0066R3)	Y-AD, AJ,AK ,AN,A P	1
-44E	113T2250-401		.TUBE ASSY- (OPT ITEMS 44C, 44D) (POST SB 767-57A0066R3)	Y-AD, AJ,AK ,AN,A P	1
47	113T2231-1		..BUSHING	Y-AR	1
50	113T2231-2		..BUSHING	Y-AR	1
53	113T2250-3		..TUBE-TORQUE (USED ON ITEMS 44, 44A, 44C)	Y-AD, AJ,AK ,AN-A P	1

# 57-53-27

 ILLUSTRATED PARTS LIST  
 01.101 Page 1062D  
 Mar 01/05


**BOEING**  
 COMPONENT  
 MAINTENANCE MANUAL

FIG. & ITEM	PART NO.	AIRLINE PART NUMBER	NOMENCLATURE 1234567	EFF CODE	QTY PER ASSY
08- -53A	113T2250-403		..TUBE-TORQUE (USED ON ITEMS 44B, 44E)	Y-AR	1
-53B	113T2250-8		..TUBE-TORQUE (USED ON ITEM 44D)	Y-AD, AJ,AK ,AN,A P	1
-56	113T2230-5		.RIB INSTL	Y,AA, AC,AE ,AG,A J,AL, AN,AQ	1
-59	113T2230-6		.RIB INSTL	Z,AB, AD,AF ,AH,A K,AM, AP,AR	1
62	BACR15BA3AD		..RIVET- (SIZE DETERMINE ON INST)	Y-AR	40
65	BACN10JQ42		..NUTPLATE	Y-AR	1
68	BACN10JQ43		..NUTPLATE	Y-AR	4
71	BACN10JQ44		..NUTPLATE	Y-AR	3
74	NS103191-02-2		..NUTPLATE- (V80539) (SPEC BACN10KE3B2) (OPT RMF9213-2-3 (V72962)) (OPT F51750-3-2 (V15653)) (OPT BRFR220A3-2 (V52825)) ATTACHING PARTS	Y-AR	10

57-53-27

 ILLUSTRATED PARTS LIST  
 01.101 Page 1062E  
 Mar 01/05

FIG. & ITEM	PART NO.	AIRLINE PART NUMBER	NOMENCLATURE 1234567	EFF CODE	QTY PER ASSY
08-77	BACN10JQ44		..NUTPLATE -----*	Y-AR	2
80	113T2237-9		..RIB ASSY	Y,AA, AC,AE ,AG,A J,AL, AN,AQ	1
-83	113T2237-10		..RIB ASSY	Z,AB, AD,AF ,AH,A K,AM, AP,AR	1
86	HL11VAZ8-8		ATTACHING PARTS ..BOLT- (V56878) (SPEC BACB30NW8K8) (OPT B30NW8K8 (V97928)) (OPT HL11VAZ8-8 (V73197)) (OPT HL11VAZ8-8 (V92215)) (OPT HL11VAZ8-8 (V97928)) (OPT L803-8K8 (V06725)) (OPT HL11VAZ8-8 (V0PTK6)) (OPT HL11VAZ8-8 (V60516))	Y-AR	5

**57-53-27**

 ILLUSTRATED PARTS LIST  
 01.101 Page 1062F  
 Mar 01/05




**BOEING**  
 COMPONENT  
 MAINTENANCE MANUAL

FIG. & ITEM	PART NO.	AIRLINE PART NUMBER	NOMENCLATURE 1234567	EFF CODE	QTY PER ASSY
08-89	HL11VAZ8-6		..BOLT- (V60516) (SPEC BACB30NW8K6) (OPT B30NW8K6 (V97928)) (OPT HL11VAZ8-6 (V73197)) (OPT HL11VAZ8-6 (V92215)) (OPT HL11VAZ8-6 (V97928)) (OPT L803-8K6 (V06725)) (OPT HL11VAZ8-6 (V0PTK6)) (OPT HL11VAZ8-6 (V56878))	Y-AR	1
92	HL11VAZ6-6		..BOLT- (V60516) (SPEC BACB30NW6K6) (OPT B30NW6K6 (V97928)) (OPT HL11VAZ6-6 (V73197)) (OPT HL11VAZ6-6 (V92215)) (OPT HL11VAZ6-6 (V97928)) (OPT L803-6K6 (V06725)) (OPT HL11VAZ6-6 (V0PTK6)) (OPT HL11VAZ6-6 (V56878))	Y-AR	2

57-53-27

 ILLUSTRATED PARTS LIST  
 01.101 Page 1062G  
 Mar 01/05

FIG. & ITEM	PART NO.	AIRLINE PART NUMBER	NOMENCLATURE 1234567	EFF CODE	QTY PER ASSY
08-95	HL11VAZ6-4		..BOLT- (V60516) (SPEC BACB30NW6K4) (OPT HL11V6-4 (V92215)) (OPT HL11V6-4 (V97928)) (OPT L803-6-4 (V06725)) (OPT B30NW6K4 (V97928)) (OPT HL11VAZ6-4 (V73197)) (OPT HL11VAZ6-4 (V92215)) (OPT HL11VAZ6-4 (V56878))	Y-AR	18
98	HL10VAZ8-7		..BOLT- (V60516) (SPEC BACB30MY8K7) (OPT B30MY8K7 (V97928))	Y-AR	2
101	HL10VAZ6-3		..BOLT- (V60516) (SPEC BACB30MY6K3) (OPT B30MY6K3 (V97928))	Y-AR	4
104	HL10VAZ6-5		..BOLT- (V60516) (SPEC BACB30MY6K5) (OPT B30MY6K5 (V97928))	Y-AR	4
107	L8006K6		..BOLT- (V06725) (SPEC BACB30MY6K6) (OPT L800-6-6 (V97928))	Y-AR	4

# 57-53-27

 ILLUSTRATED PARTS LIST  
 01.101 Page 1062H  
 Mar 01/05


**BOEING**  
 COMPONENT  
 MAINTENANCE MANUAL

FIG. & ITEM	PART NO.	AIRLINE PART NUMBER	NOMENCLATURE 1234567	EFF CODE	QTY PER ASSY
08-110	HL79-8		..COLLAR- (V5M902) (SPEC BACC30M8) (OPT HL79-8 (V73197)) (OPT HL79-8 (V92215)) (OPT 66014-8 (V56878)) (OPT HL79-8 (V56878))	Y-AR	2
113	HL79-6		..COLLAR- (V5M902) (SPEC BACC30M6) (OPT HL79-6 (V73197)) (OPT HL79-6 (V92215)) (OPT 66014-6 (V56878)) (OPT HL79-6 (V56878))	Y-AR	13
116	BACB30NN4K9		..BOLT	Y-AR	8
119	BACB30NN4K9		..BOLT	Y-AR	2
122	BACB30NN3K6		..BOLT	Y-AR	10
125	BACS40R08C27F		..SHIM	Y-AR	1
128	BACS40R09C27F		..SHIM	Y-AR	2
131	BACS40R10C12F		..SHIM	Y-AR	1
134	BACS40R11C12F		..SHIM	Y-AR	3
137	BACS40R11C27F		..SHIM	Y-AR	1
140	BACS40R27C29F		..SHIM	Y-AR	1
143	BACS40R29C58F		..SHIM	Y-AR	1

57-53-27

 ILLUSTRATED PARTS LIST  
 01.101 Page 1062I  
 Mar 01/05

FIG. & ITEM	PART NO.	AIRLINE PART NUMBER	NOMENCLATURE 1234567	EFF CODE	QTY PER ASSY
08-146	HL79-6		..COLLAR- (V5M902) (SPEC BACC30M6) (OPT HL79-6 (V73197)) (OPT HL79-6 (V92215)) (OPT 66014-6 (V56878)) (OPT HL79-6 (V56878))	Y-AR	20
149	HL79-8		..COLLAR- (V5M902) (SPEC BACC30M8) (OPT HL79-8 (V73197)) (OPT HL79-8 (V92215)) (OPT 66014-8 (V56878)) (OPT HL79-8 (V56878))	Y-AR	4
152	HL79-8		..COLLAR- (V5M902) (SPEC BACC30M8) (OPT HL79-8 (V73197)) (OPT HL79-8 (V92215)) (OPT 66014-8 (V56878)) (OPT HL79-8 (V56878)) -----*	Y-AR	1

**57-53-27**

 ILLUSTRATED PARTS LIST  
 01.101 Page 1062J  
 Mar 01/05


**BOEING**  
 COMPONENT  
 MAINTENANCE MANUAL

FIG. & ITEM	PART NO.	AIRLINE PART NUMBER	NOMENCLATURE 1234567	EFF CODE	QTY PER ASSY
08-155	113T2237-11		...RIB-HALF	Y,AA, AC,AE ,AG,A J,AL, AN,AQ	1
-158	113T2237-12		...RIB-HALF	Z,AB, AD,AF ,AH,A K,AM, AP,AR	1
161	113T2237-13		...RIB-HALF	Y,AA, AC,AE ,AG,A J,AL, AN,AQ	1
-164	113T2237-14		...RIB-HALF	Z,AB, AD,AF ,AH,A K,AM, AP,AR	1
167	HL10VAZ6-3		ATTACHING PARTS ...BOLT- (V60516) (SPEC BACB30MY6K3) (OPT B30MY6K3 (V97928))	Y-AR	9
170	HL10VAZ6-4		...BOLT- (V60516) (SPEC BACB30MY6K4) (OPT B30MY6K4 (V97928))	Y-AR	18
173	HL10VAZ6-5		...BOLT- (V60516) (SPEC BACB30MY6K5) (OPT B30MY6K5 (V97928))	Y-AR	4

57-53-27

 ILLUSTRATED PARTS LIST  
 01.101 Page 1062K  
 Mar 01/05

FIG. & ITEM	PART NO.	AIRLINE PART NUMBER	NOMENCLATURE 1234567	EFF CODE	QTY PER ASSY
08-176	HL10VAZ8-8		...BOLT- (V60516) (SPEC BACB30MY8K8) (OPT B30MY8K8 (V97928))	Y-AR	4
179	HL10VAZ8-12		...BOLT- (V60516) (SPEC BACB30MY8K12) (OPT B30MY8K12 (V97928))	Y-AR	4
182	HL79-6		...COLLAR- (V5M902) (SPEC BACC30M6) (OPT HL79-6 (V73197)) (OPT HL79-6 (V92215)) (OPT 66014-6 (V56878)) (OPT HL79-6 (V56878))	Y-AR	9
185	HL79-6		...COLLAR- (V5M902) (SPEC BACC30M6) (OPT HL79-6 (V73197)) (OPT HL79-6 (V92215)) (OPT 66014-6 (V56878)) (OPT HL79-6 (V56878))	Y-AR	22
188	HL79-8		...COLLAR- (V5M902) (SPEC BACC30M8) (OPT HL79-8 (V73197)) (OPT HL79-8 (V92215)) (OPT 66014-8 (V56878)) (OPT HL79-8 (V56878)) -----*	Y-AR	8

# 57-53-27

 ILLUSTRATED PARTS LIST  
 01.101 Page 1062L  
 Mar 01/05


**BOEING**  
 COMPONENT  
 MAINTENANCE MANUAL

FIG. & ITEM	PART NO.	AIRLINE PART NUMBER	NOMENCLATURE 1234567	EFF CODE	QTY PER ASSY
08- -191	113T2222-25		.SPAR INSTL-MID (FOR DETAILS SEE FIG. 5)	Y,AA, AC,AE ,AG,A J,AL, AN,AQ	1
-194	113T2222-26		.SPAR INSTL-MID (FOR DETAILS SEE FIG. 5)	Z,AB, AD,AF ,AH,A K,AM, AP,AR	1
-197	113T2348-9		.RIB INSTL	Y,AA, AC,AE ,AG,A J,AL, AN,AQ	1
-200	113T2348-10		.RIB INSTL	Z,AB, AD,AF ,AH,A K,AM, AP,AR	1
203	BACR15BA3AD		..RIVET- (SIZE DETERMINE ON INST)	Y-AR	40
206	BACN10JQ42		..NUTPLATE	Y-AR	8
209	NS103191-02-3		..NUTPLATE- (V80539) (SPEC BACN10KE3B3) (OPT RMF9213-3-3 (V72962)) (OPT F51750-3-3 (V15653)) (OPT BRFR220A3-3 (V52828))	Y-AR	12

57-53-27

 ILLUSTRATED PARTS LIST  
 01.101 Page 1062M  
 Mar 01/05

FIG. & ITEM	PART NO.	AIRLINE PART NUMBER	NOMENCLATURE 1234567	EFF CODE	QTY PER ASSY
08-212	113T2232-9		..RIB ASSY-SPRT	Y,AA, AC,AE ,AG,A J,AL, AN,AQ	1
-215	113T2232-10		..RIB ASSY-SPRT	Z,AB, AD,AF ,AH,A K,AM, AP,AR	1
218 221	BACR15CE6KE4 HL11VAZ8-8		ATTACHING PARTS ..RIVET ..BOLT- (V56878) (SPEC BACB30NW8K8) (OPT B30NW8K8 (V97928)) (OPT HL11VAZ8-8 (V73197)) (OPT HL11VAZ8-8 (V92215)) (OPT HL11VAZ8-8 (V97928)) (OPT L803-8K8 (V06725)) (OPT HL11VAZ8-8 (V0PTK6)) (OPT HL11VAZ8-8 (V60516))	Y-AR Y-AR	22 4

57-53-27

 ILLUSTRATED PARTS LIST  
 01.101 Page 1062N  
 Mar 01/05




**BOEING**  
 COMPONENT  
 MAINTENANCE MANUAL

FIG. & ITEM	PART NO.	AIRLINE PART NUMBER	NOMENCLATURE 1234567	EFF CODE	QTY PER ASSY
08-224	HL11VAZ6-8		..BOLT- (V60516) (SPEC BACB30NW6K8) (OPT B30NW6K8 (V97928)) (OPT HL11VAZ6-8 (V73197)) (OPT HL11VAZ6-8 (V92215)) (OPT HL11VAZ6-8 (V97928)) (OPT L803-6K8 (V06725)) (OPT HL11VAZ6-8 (V0PTK6)) (OPT HL11VAZ6-8 (V56878))	Y-AR	4
227	HL10VAZ6-8		..BOLT- (V60516) (SPEC BACB30MY6K8) (OPT B30MY6K8 (V97928))	Y-AR	1
230	HL10VAZ6-7		..BOLT- (V60516) (SPEC BACB30MY6K7) (OPT B30MY6K7 (V97928))	Y-AR	2
233	L8006K6		..BOLT- (V06725) (SPEC BACB30MY6K6) (OPT L800-6-6 (V97928))	Y-AR	14

57-53-27

 ILLUSTRATED PARTS LIST  
 01.101 Page 10620  
 Mar 01/05

FIG. & ITEM	PART NO.	AIRLINE PART NUMBER	NOMENCLATURE 1234567	EFF CODE	QTY PER ASSY
08-					
236	BACB30NN4K9		..BOLT	Y-AR	8
239	BACB30NN3K6		..BOLT	Y-AR	12
242	BACS40R09C22F		..SHIM	Y-AR	2
245	BACS40R10C22F		..SHIM	Y-AR	1
248	BACS40R08C22F		..SHIM	Y-AR	3
251	BACS40R40C22F		..SHIM	Y-AR	1
254	BACS40R11C22F		..SHIM	Y-AR	2
257	HL79-6		..COLLAR- (V5M902) (SPEC BACC30M6) (OPT HL79-6 (V73197)) (OPT HL79-6 (V92215)) (OPT 66014-6 (V56878)) (OPT HL79-6 (V56878)) -----*	Y-AR	18
258	BACC30N7		..COLLAR ATTACHING PARTS	Y-AR	4
260	HL79-8		..COLLAR- (V5M902) (SPEC BACC30M8) (OPT HL79-8 (V73197)) (OPT HL79-8 (V92215)) (OPT 66014-8 (V56878)) (OPT HL79-8 (V56878))	Y-AR	4

57-53-27

 ILLUSTRATED PARTS LIST  
 01.101 Page 1062P  
 Mar 01/05

**BOEING**  
 COMPONENT  
 MAINTENANCE MANUAL

FIG. & ITEM	PART NO.	AIRLINE PART NUMBER	NOMENCLATURE 1234567	EFF CODE	QTY PER ASSY
08-					
263	BACB30LJ3U10		..BOLT	Y-AR	2
266	BACW10BP3DP		..WASHER	Y-AR	2
269	BACW10BP3CD		..WASHER	Y-AR	2
272	BRH10C3M		..NUT- (V52828) (SPEC BACN10JC3CM) (OPT T6C1032JM (V11815)) (OPT 97E02 (V80539)) (OPT 109LH9075-3W (V72962)) (OPT VN303D02 (V92215)) (OPT NS202101SE02 (V80539)) (OPT H01-3BAC (V15653)) -----*	Y-AR	2
275	113T2231-4		...BUSHING	Y-AR	1
278	113T2232-11		...RIB-HALF	Y,AA, AC,AE ,AG,A J,AL, AN,AQ	1
-281	113T2232-12		...RIB-HALF	Z,AB, AD,AF ,AH,A K,AM, AP,AR	1

**57-53-27**

ILLUSTRATED PARTS LIST  
 01.101 Page 1062Q  
 Mar 01/05

FIG. & ITEM	PART NO.	AIRLINE PART NUMBER	NOMENCLATURE 1234567	EFF CODE	QTY PER ASSY
08-284	113T2232-13		...RIB-HALF	Y,AA, AC,AE ,AG,A J,AL, AN,AQ	1
-287	113T2232-14		...RIB-HALF	Z,AB, AD,AF ,AH,A K,AM, AP,AR	1
290	HL10VAZ6-3		ATTACHING PARTS ...BOLT- (V60516) (SPEC BACB30MY6K3) (OPT B30MY6K3 (V97928))	Y-AR	11
293	HL10VAZ6-4		...BOLT- (V60516) (SPEC BACB30MY6K4) (OPT B30MY6K4 (V97928))	Y-AR	11
296	HL79-6		...COLLAR- (V5M902) (SPEC BACC30M6) (OPT HL79-6 (V73197)) (OPT HL79-6 (V92215)) (OPT 66014-6 (V56878)) (OPT HL79-6 (V56878)) -----*	Y-AR	22
-299	113T2233-5		.RIB INSTL	Y,AA, AC,AE ,AG,A J,AL, AN,AQ	1

57-53-27

 ILLUSTRATED PARTS LIST  
 01.101 Page 1062R  
 Mar 01/05


**BOEING**  
 COMPONENT  
 MAINTENANCE MANUAL

FIG. & ITEM	PART NO.	AIRLINE PART NUMBER	NOMENCLATURE 1234567	EFF CODE	QTY PER ASSY
08- -302	113T2233-6		.RIB INSTL	Z,AB, AD,AF ,AH,A K,AM, AP,AR	1
305	113T2236-7		..RIB-SPRT	Y,AA, AC,AE ,AG,A J,AL, AN,AQ	1
-308	113T2236-8		..RIB-SPRT	Z,AB, AD,AF ,AH,A K,AM, AP,AR	1
311	BACR15CE6KE		ATTACHING PARTS ..RIVET- (SIZE DETERMINE ON INST)	Y-AR	18
314	HL11VAZ8-9		..BOLT- (V56878) (SPEC BACB30NW8K9) (OPT B30NW8K9 (V97928)) (OPT HL11VAZ8-9 (V73197)) (OPT HL11VAZ8-9 (V92215)) (OPT HL11VAZ8-9 (V97928)) (OPT L803-8K9 (V06725)) (OPT HL11VAZ8-9 (V0PTK6)) (OPT HL11VAZ8-9 (V60516))	Y-AR	2

57-53-27

 ILLUSTRATED PARTS LIST  
 01.101 Page 1062S  
 Mar 01/05

FIG. & ITEM	PART NO.	AIRLINE PART NUMBER	NOMENCLATURE 1234567	EFF CODE	QTY PER ASSY
08-317	HL11VAZ6-9		..BOLT- (V60516) (SPEC BACB30NW6K9) (OPT B30NW6K9 (V97928)) (OPT HL11VAZ6-9 (V73197)) (OPT HL11VAZ6-9 (V92215)) (OPT HL11VAZ6-9 (V97928)) (OPT L803-6K9 (V06725)) (OPT HL11VAZ6-9 (VOPTK6)) (OPT HL11VAZ6-9 (V56878))	Y-AR	2
320	HL11VAZ6-8		..BOLT- (V60516) (SPEC BACB30NW6K8) (OPT B30NW6K8 (V97928)) (OPT HL11VAZ6-8 (V73197)) (OPT HL11VAZ6-8 (V92215)) (OPT HL11VAZ6-8 (V97928)) (OPT L803-6K8 (V06725)) (OPT HL11VAZ6-8 (VOPTK6)) (OPT HL11VAZ6-8 (V56878))	Y-AR	4

**57-53-27**

 ILLUSTRATED PARTS LIST  
 01.101 Page 1062T  
 Mar 01/05


**BOEING**  
 COMPONENT  
 MAINTENANCE MANUAL

FIG. & ITEM	PART NO.	AIRLINE PART NUMBER	NOMENCLATURE 1234567	EFF CODE	QTY PER ASSY
08-323	HL11VAZ6-4		..BOLT- (V60516) (SPEC BACB30NW6K4) (OPT HL11V6-4 (V92215)) (OPT HL11V6-4 (V97928)) (OPT L803-6-4 (V06725)) (OPT B30NW6K4 (V97928)) (OPT HL11VAZ6-4 (V73197)) (OPT HL11VAZ6-4 (V92215)) (OPT HL11VAZ6-4 (V56878))	Y-AR	4
326	HL10VAZ6-5		..BOLT- (V60516) (SPEC BACB30MY6K5) (OPT B30MY6K5 (V97928))	Y-AR	8
329	L8006K6		..BOLT- (V06725) (SPEC BACB30MY6K6) (OPT L800-6-6 (V97928))	Y-AR	4
332	HL10VAZ6-7		..BOLT- (V60516) (SPEC BACB30MY6K7) (OPT B30MY6K7 (V97928))	Y-AR	4

57-53-27

 ILLUSTRATED PARTS LIST  
 01.101 Page 1062U  
 Mar 01/05

FIG. & ITEM	PART NO.	AIRLINE PART NUMBER	NOMENCLATURE 1234567	EFF CODE	QTY PER ASSY
08-335	HL10VAZ6-8		..BOLT- (V60516) (SPEC BACB30MY6K8) (OPT B30MY6K8 (V97928))	Y-AR	4
338	BACB30NN3K6		..BOLT	Y-AR	10
341	BACB30NN4K9		..BOLT	Y-AR	10
344	BACS40R09C21F		..SHIM	Y-AR	3
347	BACS40R24E21F		..SHIM	Y-AR	1
350	BACS40R11C21F		..SHIM	Y-AR	2
353	BACS40R08C21F		..SHIM	Y-AR	2
356	BACS40R10C21F		..SHIM	Y-AR	1
359	BACS40R12C21F		..SHIM	Y-AR	1
362	HL79-6		..COLLAR- (V5M902) (SPEC BACC30M6) (OPT HL79-6 (V73197)) (OPT HL79-6 (V92215)) (OPT 66014-6 (V56878)) (OPT HL79-6 (V56878))	Y-AR	30
365	HL79-8		..COLLAR- (V5M902) (SPEC BACC30M8) (OPT HL79-8 (V73197)) (OPT HL79-8 (V92215)) (OPT 66014-8 (V56878)) (OPT HL79-8 (V56878))	Y-AR	2

**57-53-27**

 ILLUSTRATED PARTS LIST  
 01.101 Page 1062V  
 Mar 01/05




**BOEING**  
 COMPONENT  
 MAINTENANCE MANUAL

FIG. & ITEM	PART NO.	AIRLINE PART NUMBER	NOMENCLATURE 1234567	EFF CODE	QTY PER ASSY
08-368	BACN10JQ42		..NUTPLATE	Y-AR	10
371	NS103191-02-3		..NUTPLATE- (V80539) (SPEC BACN10KE3B3) (OPT RMF9213-3-3 (V72962)) (OPT F51750-3-3 (V15653)) (OPT BRFR220A3-3 (V52828))	Y-AR	10
374	BACR15BA3AD		..RIVET- (SIZE DETERMINE ON INST) -----*	Y-AR	40
-377	113T2234-11		.RIB INSTL	Y,AA, AC,AJ ,AL,A N	1
-377A	113T2234-401		.RIB INSTL	AE,AG ,AQ	1
-380	113T2234-12		.RIB INSTL	Z,AB, AD,AK ,AM,A P	1
-380A	113T2234-402		.RIB INSTL	AF,AH ,AR	1
383	BACR15BA3AD		..RIVET- (SIZE DETERMINE ON INST)	Y-AR	44
386	BACN10JQ42		..NUTPLATE	Y-AD, AJ-AP	10
-386A	MF19058-4-2BAC		..NUTPLATE- (V15653) (SPEC BACN10YF42)	AE-AH ,AQ,A R	10
389	NS103191-02-3		..NUTPLATE- (V80539) (SPEC BACN10KE3B3) (OPT RMF9213-3-3 (V72962)) (OPT F51750-3-3 (V15653)) (OPT BRFR220A3-3 (V52828))	Y-AR	12

57-53-27

 ILLUSTRATED PARTS LIST  
 01.101 Page 1062W  
 Mar 01/05

FIG. & ITEM	PART NO.	AIRLINE PART NUMBER	NOMENCLATURE 1234567	EFF CODE	QTY PER ASSY
08-392	113T2238-24		..RIB ASSY-SPRT	Y,AA, AC,AE ,AG,A J,AL, AN,AQ	1
-395	113T2238-25		..RIB ASSY-SPRT	Z,AB, AD,AF ,AH,A K,AM, AP,AR	1
398	HL11VAZ8-10		ATTACHING PARTS ..BOLT- (V60516) (SPEC BACB30NW8K10) (OPT B30NW8K10 (V97928)) (OPT HL11VAZ8-10 (V73197)) (OPT HL11VAZ8-10 (V92215)) (OPT HL11VAZ8-10 (V97928)) (OPT L803-8K10 (V06725)) (OPT HL11VAZ8-10 (V0PTK6)) (OPT HL11VAZ8-10 (V56878))	Y-AD, AJ-AP	2
-398A	WC331K8-10		..BOLT- (V60516) (SPEC BACB30YP8K10)	AE-AH ,AQ,A R	2

57-53-27

 ILLUSTRATED PARTS LIST  
 01.101 Page 1062X  
 Mar 01/05

**BOEING**  
 COMPONENT  
 MAINTENANCE MANUAL

FIG. & ITEM	PART NO.	AIRLINE PART NUMBER	NOMENCLATURE 1234567	EFF CODE	QTY PER ASSY
08-401	HL11VAZ8-9		..BOLT- (V56878) (SPEC BACB30NW8K9) (OPT B30NW8K9 (V97928)) (OPT HL11VAZ8-9 (V73197)) (OPT HL11VAZ8-9 (V92215)) (OPT HL11VAZ8-9 (V97928)) (OPT L803-8K9 (V06725)) (OPT HL11VAZ8-9 (V0PTK6)) (OPT HL11VAZ8-9 (V60516))	Y-AD, AJ-AP	2
-401A	WC331K8-9		..BOLT- (V60516) (SPEC BACB30YP8K9)	AE-AH ,AQ,A R	2
404	HL11VAZ8-8		..BOLT- (V56878) (SPEC BACB30NW8K8) (OPT B30NW8K8 (V97928)) (OPT HL11VAZ8-8 (V73197)) (OPT HL11VAZ8-8 (V92215)) (OPT HL11VAZ8-8 (V97928)) (OPT L803-8K8 (V06725)) (OPT HL11VAZ8-8 (V0PTK6)) (OPT HL11VAZ8-8 (V60516))	Y-AD, AJ-AP	4
-404A	WC331K8-8		..BOLT- (V60516) (SPEC BACB30YP8K8)	AE-AH ,AQ,A R	4

57-53-27

ILLUSTRATED PARTS LIST  
 01.101 Page 1062Y  
 Mar 01/05

FIG. & ITEM	PART NO.	AIRLINE PART NUMBER	NOMENCLATURE 1234567	EFF CODE	QTY PER ASSY
08-407	HL11VAZ8-7		..BOLT- (V56878) (SPEC BACB30NW8K7) (OPT B30NW8K7 (V97928)) (OPT HL11VAZ8-7 (V73197)) (OPT HL11VAZ8-7 (V92215)) (OPT HL11VAZ8-7 (V97928)) (OPT L803-8K7 (V06725)) (OPT HL11VAZ8-7 (V0PTK6)) (OPT HL11VAZ8-7 (V60516))	Y-AD, AJ-AP	4
-407A	WC331K8-7		..BOLT- (V60516) (SPEC BACB30YP8K7)	AE-AH ,AQ,A R	4
410	HL11VAZ6-4		..BOLT- (V60516) (SPEC BACB30NW6K4) (OPT HL11V6-4 (V92215)) (OPT HL11V6-4 (V97928)) (OPT L803-6-4 (V06725)) (OPT B30NW6K4 (V97928)) (OPT HL11VAZ6-4 (V73197)) (OPT HL11VAZ6-4 (V92215)) (OPT HL11VAZ6-4 (V56878))	Y-AD, AJ-AP	16
-410A	WC331K6-4		..BOLT- (V60516) (SPEC BACB30YP6K4)	AE-AH ,AQ,A R	16

# 57-53-27

 ILLUSTRATED PARTS LIST  
 01.101 Page 1062Z  
 Mar 01/05


**BOEING**  
 COMPONENT  
 MAINTENANCE MANUAL

FIG. & ITEM	PART NO.	AIRLINE PART NUMBER	NOMENCLATURE 1234567	EFF CODE	QTY PER ASSY
08-413	HL10VAZ6-8		..BOLT- (V60516) (SPEC BACB30MY6K8) (OPT B30MY6K8 (V97928))	Y-AD, AJ-AP	6
-413A	HST10AG6-8		..BOLT- (VOPTK6) (SPEC BACB30VT6K8) (OPT HST10AG6-8 (V06725)) (OPT HST10AG6-8 (V56878)) (OPT HST10AG6-8 (V73197))	AE-AH ,AQ,A R	6
416	HL10VAZ8-12		..BOLT- (V60516) (SPEC BACB30MY8K12) (OPT B30MY8K12 (V97928))	Y-AD, AJ-AP	2
-416A	HST10AG8-12		..BOLT- (VOPTK6) (SPEC BACB30VT8K12) (OPT HST10AG8-12 (V06725)) (OPT HST10AG8-12 (V56878)) (OPT HST10AG8-12 (V73197))	AE-AH ,AQ,A R	2
419	HL10VAZ8-9		..BOLT- (V60516) (SPEC BACB30MY8K9) (OPT B30MY8K9 (V97928))	A-AD, AJ-AP	6
-419A	HST10AG8-9		..BOLT- (VOPTK6) (SPEC BACB30VT8K9) (OPT HST10AG8-9 (V06725)) (OPT HST10AG8-9 (V56878)) (OPT HST10AG8-9 (V73197))	AE-AH ,AQ,A R	6

57-53-27

 ILLUSTRATED PARTS LIST  
 01.101 Page 1063  
 Mar 01/05

FIG. & ITEM	PART NO.	AIRLINE PART NUMBER	NOMENCLATURE 1234567	EFF CODE	QTY PER ASSY
08-422	HL10VAZ10-10		..BOLT- (V60516) (SPEC BACB30MY10K10) (OPT B30MY10K10 (V97928))	Y-AD, AJ-AP	2
-422A	HST10AG12-10		..BOLT- (VOPTK6) (SPEC BACB30VT12K10) (OPT HST10AG12-10 (V06725)) (OPT HST10AG12-10 (V56878)) (OPT HST10AG12-10 (V73197))	AE-AH ,AQ,A R	2
425	HL10VAZ8-8		..BOLT- (V60516) (SPEC BACB30MY8K8) (OPT B30MY8K8 (V97928))	Y-AD, AJ-AP	2
-425A	HST10AG8-8		..BOLT- (VOPTK6) (SPEC BACB30VT8K8) (OPT HST10AG8-8 (V06725)) (OPT HST10AG8-8 (V56878)) (OPT HST10AG8-8 (V73197))	AE-AJ ,AQ,A R	2
428	BACB30NR4K14		..BOLT	Y-AR	2
431	BACB30NN3K6		..BOLT	Y-AR	12
432	BACB30LK3-10		..BOLT	AE-AH ,AQ,A R	2

# 57-53-27

 ILLUSTRATED PARTS LIST  
 01.101 Page 1064  
 Mar 01/05


**BOEING**  
 COMPONENT  
 MAINTENANCE MANUAL

FIG. & ITEM	PART NO.	AIRLINE PART NUMBER	NOMENCLATURE 1234567	EFF CODE	QTY PER ASSY
08-					
434	BACB30LK4-9		..BOLT	Y-AR	6
435	BACB30LK4-9		..BOLT	Y-AD, AJ-AP	4
-435A	BACB30LK4-11		..BOLT	AE-AH ,AQ,A R	4
437	K29913-104		..WASHER- (V15653) (SPEC BACW10CA104CC) (OPT 70191-104 (V56878)) (OPT 922008-4 (V60119)) (OPT 942008-4 (V60119))	Y-AR	4
440	K29646-104		..WASHER- (V15653) (SPEC BACW10CA104CV) (OPT 70188-104 (V56878)) (OPT 922007-4 (V60119)) (OPT 942007-4 (V60119))	Y-AR	4
443	BACW10BP4CD		..WASHER	Y-AR	2
446	BACW10BP4DP		..WASHER	Y-AR	2
449	BACS4OR20C22F		..SHIM	Y-AD, AJ-AP	1
-449A	BACS4OR020C022F		..SHIM	AE-AH ,AQ,A R	1
452	BACS4OR11C22F		..SHIM	Y-AD, AJ-AP	2
-452A	BACS4OR011C022F		..SHIM	AE-AH ,AQ,A R	2
456	BACS4OR12C22F		-----*----- ..SHIM	Y-AD, AJ-AP	2
-456A	BACS4OR012C022F		..SHIM	AE-AH ,AQ,A R	2
			ATTACHING PARTS		

57-53-27

 ILLUSTRATED PARTS LIST  
 01.101 Page 1064A  
 Mar 01/05

FIG. & ITEM	PART NO.	AIRLINE PART NUMBER	NOMENCLATURE 1234567	EFF CODE	QTY PER ASSY
08-458	BACS40R15C26F		..SHIM	Y-AD,	1
-458A	BACS40R015C026F		..SHIM	AJ-AP AE-AH ,AQ,A R	1
461	BACS40R12C26F		..SHIM	Y-AD,	3
-461A	BACS40R012C026F		..SHIM	AJ-AP AE-AH ,AQ,A R	3
464	BACS40R13C22F		..SHIM	Y-AD,	1
-464A	BACS40R013C022F		..SHIM	AJ-AP AE-AH ,AQ,A R	1
467	BACS40R16C26F		..SHIM	Y-AD,	1
-467A	BACS40R016C026F		..SHIM	AJ-AP AE-AH ,AQ,A R	1
470	BACS40R16D26F		..SHIM	Y-AD,	1
-470A	BACS40R016D026F		..SHIM	AJ-AP AE-AH ,AQ,A R	1
473	HL79-6		..COLLAR- (V5M902) (SPEC BACC30M6) (OPT HL79-6 (V73197)) (OPT HL79-6 (V92215)) (OPT 66014-6 (V56878)) (OPT HL79-6 (V56878))	Y-AD, AJ-AP	22
-473A	HST79CY6		..COLLAR- (V73197) (SPEC BACC30BL6) (OPT HST79-6 (V92215)) (OPT HST79CY6 (V56878)) (OPT HST79CY6 (V5M902))	AE-AH ,AQ,A R	22

# 57-53-27

 ILLUSTRATED PARTS LIST  
 01.101 Page 1064B  
 Mar 01/05




**BOEING**  
 COMPONENT  
 MAINTENANCE MANUAL

FIG. & ITEM	PART NO.	AIRLINE PART NUMBER	NOMENCLATURE 1234567	EFF CODE	QTY PER ASSY
08-476	HL79-8		..COLLAR- (V5M902) (SPEC BACC30M8) (OPT HL79-8 (V73197)) (OPT HL79-8 (V92215)) (OPT 66014-8 (V56878)) (OPT HL79-8 (V56878))	Y-AD, AJ-AP	16
-476A	HST79CY8		..COLLAR- (V73197) (SPEC BACC30BL8) (OPT HST79-8 (V92215)) (OPT HST79CY8 (V56878)) (OPT HST79CY8 (V5M902))	AE-AH ,AQ,A R	16
477	HL79-8		..COLLAR- (V5M902) (SPEC BACC30M8) (OPT HL79-8 (V73197)) (OPT HL79-8 (V92215)) (OPT 66014-8 (V56878)) (OPT HL79-8 (V56878))	Y-AD, AJ-AP	4
-477A	HST828AW		..COLLAR- (V5M902) (SPEC BACC30BQ8) (OPT HST828AW (V56878)) (OPT HST828AW (V73197)) (OPT HST82CY8APBW (V73197)) (OPT HST82CY8APBW (V56878))	AE-AH ,AQ,A R	4

57-53-27

 ILLUSTRATED PARTS LIST  
 01.101 Page 1064C  
 Mar 01/05

FIG. & ITEM	PART NO.	AIRLINE PART NUMBER	NOMENCLATURE 1234567	EFF CODE	QTY PER ASSY
08-479	HL79-10		..COLLAR- (V5M902) (SPEC BACC30M10) (OPT HL79-10 (V73197)) (OPT HL79-10 (V92215)) (OPT 66014-10 (V56878)) (OPT HL79-10 (V56878))	Y-AD, AJ-AP	2
-479A	HST79CY12		..COLLAR- (V73197) (SPEC BACC30BL12) (OPT HST79CY12 (V56878)) (OPT HST79CY12 (V5M902)) (OPT HST79-12 (V92215))	AE-AH ,AQ,A R	2
482	HL79-8		..COLLAR- (V5M902) (SPEC BACC30M8) (OPT HL79-8 (V73197)) (OPT HL79-8 (V92215)) (OPT 66014-8 (V56878)) (OPT HL79-8 (V56878))	Y-AD, AJ-AP	2
-482A	HST79CY8		..COLLAR- (V73197) (SPEC BACC30BL8) (OPT HST79-8 (V92215)) (OPT HST79CY8 (V56878)) (OPT HST79CY8 (V5M902))	AE-AH ,AQ,A R	2

# 57-53-27

 ILLUSTRATED PARTS LIST  
 01.101 Page 1064D  
 Mar 01/05


**BOEING**  
 COMPONENT  
 MAINTENANCE MANUAL

FIG. & ITEM	PART NO.	AIRLINE PART NUMBER	NOMENCLATURE 1234567	EFF CODE	QTY PER ASSY
08-485	BRH10C4M		..NUT- (V52828) (SPEC BACN10JC4CM) (OPT T6C428JM (V11815)) (OPT 97E48 (V80539)) (OPT 109LH9075-4W (V72962)) (OPT VN303D048 (V92215)) (OPT 9NS202101SE048 (VA8053)) (OPT H01-4BAC (V15653)) -----*	Y-AR	2
488	113T2238-20		...RIB-SPRT	Y,AA, AC,AE ,AG,A J,AL, AN,AQ	1
-491	113T2238-21		...RIB-SPRT	Z,AB, AD,AF ,AH,A K,AM, AP,AR	1
494	113T2238-22		...RIB-SPRT	Y,AA, AC,AE ,AG,A J,AL, AN,AQ	1
-497	113T2238-23		...RIB-SPRT	Z,AB, AD,AF ,AH,A K,AM, AP,AR	1
500	HL10VAZ6-3		ATTACHING PARTS ...BOLT- (V60516) (SPEC BACB30MY6K3) (OPT B30MY6K3 (V97928))	Y-AR	14

57-53-27

 ILLUSTRATED PARTS LIST  
 01.101 Page 1064E  
 Mar 01/05

FIG. & ITEM	PART NO.	AIRLINE PART NUMBER	NOMENCLATURE 1234567	EFF CODE	QTY PER ASSY
08-503	HL79-6		...COLLAR- (V5M902) (SPEC BACC30M6) (OPT HL79-6 (V73197)) (OPT HL79-6 (V92215)) (OPT 66014-6 (V56878)) (OPT HL79-6 (V56878)) -----*	Y-AR	14
504	113T2265-403		..DOUBLER	AE-AH ,AQ,A R	1
-506	113T2290-1		.RIB INSTL-OUTBD	Y,AA, AC,AE ,AG,A J,AL, AN,AQ	1
-509	113T2290-2		.RIB INSTL-OUTBD	Z,AB, AD,AF ,AH,A K,AM, AP,AR	1
512	BACR15CE6KE		..RIVET- (SIZE DETERMINE ON INST)	Y-AR	10
515	BACR15FT6KE		..RIVET- (SIZE DETERMINE ON INST)	Y-AR	7

# 57-53-27

 ILLUSTRATED PARTS LIST  
 01.101 Page 1064F  
 Mar 01/05

**BOEING**  
 COMPONENT  
 MAINTENANCE MANUAL

FIG. & ITEM	PART NO.	AIRLINE PART NUMBER	NOMENCLATURE 1234567	EFF CODE	QTY PER ASSY
08-518	HL11VAZ8-8		..BOLT- (V56878) (SPEC BACB30NW8K8) (OPT B30NW8K8 (V97928)) (OPT HL11VAZ8-8 (V73197)) (OPT HL11VAZ8-8 (V92215)) (OPT HL11VAZ8-8 (V97928)) (OPT L803-8K8 (V06725)) (OPT HL11VAZ8-8 (V0PTK6)) (OPT HL11VAZ8-8 (V60516))	Y-AR	1
521	HL11VAZ8-7		..BOLT- (V56878) (SPEC BACB30NW8K7) (OPT B30NW8K7 (V97928)) (OPT HL11VAZ8-7 (V73197)) (OPT HL11VAZ8-7 (V92215)) (OPT HL11VAZ8-7 (V97928)) (OPT L803-8K7 (V06725)) (OPT HL11VAZ8-7 (V0PTK6)) (OPT HL11VAZ8-7 (V60516))	Y-AR	1

**57-53-27**

ILLUSTRATED PARTS LIST  
 01.101 Page 1064G  
 Mar 01/05

FIG. & ITEM	PART NO.	AIRLINE PART NUMBER	NOMENCLATURE 1234567	EFF CODE	QTY PER ASSY
08-524	HL11VAZ6-3		..BOLT- (V60516) (SPEC BACB30NW6K3) (OPT B30NW6K3 (V97928)) (OPT HL11VAZ6-3 (V73197)) (OPT HL11VAZ6-3 (V92215)) (OPT HL11VAZ6-3 (V97928)) (OPT L803-6K3 (V06725)) (OPT HL11VAZ6-3 (V0PTK6)) (OPT HL11VAZ6-3 (V56878))	Y-AR	2
527	BACB30NN4K9		..BOLT	Y-AR	2
530	BACB30NN3K6		..BOLT	Y-AR	9
533	BACF3T04D9-40		..FILLER	Y-AR	1
536	BACS40R08C10F		..SHIM	Y-AR	2
539	BACS40R10B120F		..SHIM	Y-AR	1
542	BACS40R10C120F		..SHIM	Y-AR	1
545	BACS40R27C10F		..SHIM	Y-AR	1
548	BACS40R25D09F		..SHIM	Y-AR	1
551	BACS40R24C10F		..SHIM	Y-AR	1
554	HL79-6		..COLLAR- (V5M902) (SPEC BACC30M6) (OPT HL79-6 (V73197)) (OPT HL79-6 (V92215)) (OPT 66014-6 (V56878)) (OPT HL79-6 (V56878))	Y-AR	2

57-53-27

 ILLUSTRATED PARTS LIST  
 01.101 Page 1064H  
 Mar 01/05


**BOEING**  
 COMPONENT  
 MAINTENANCE MANUAL

FIG. & ITEM	PART NO.	AIRLINE PART NUMBER	NOMENCLATURE 1234567	EFF CODE	QTY PER ASSY
08-557	HL79-8		..COLLAR- (V5M902) (SPEC BACC30M8) (OPT HL79-8 (V73197)) (OPT HL79-8 (V92215)) (OPT 66014-8 (V56878)) (OPT HL79-8 (V56878))	Y-AR	2
560	BACN10JQ43		..NUTPLATE	Y-AR	1
563	NS103194-02-3		..NUTPLATE- (V80539) (SPEC BACN10KE3E3) (OPT RMF9216-3-3 (V72962)) (OPT F51752-3-3 (V15653)) (OPT BRFR120A3-3 (V52828))	Y-AR	2
566	NS103191-02-3		..NUTPLATE- (V80539) (SPEC BACN10KE3B3) (OPT RMF9213-3-3 (V72962)) (OPT F51750-3-3 (V15653)) (OPT BRFR220A3-3 (V52828)) ATTACHING PARTS	Y-AR	7

57-53-27

 ILLUSTRATED PARTS LIST  
 01.101 Page 1064I  
 Mar 01/05

FIG. & ITEM	PART NO.	AIRLINE PART NUMBER	NOMENCLATURE 1234567	EFF CODE	QTY PER ASSY
08-569	BACR15BA3AD		..RIVET- (SIZE DETERMINE ON INST) -----*-----	Y-AR	20
572	113T2235-1		..RIB-END	Y,AA, AC,AE ,AG,A J,AL, AN,AQ	1
-575	113T2235-2		..RIB-END	Z,AB, AD,AF ,AH,A K,AM, AP,AR	1
578	113T2255-9		.FITTING ASSY-BEAM (9-10)	Y,AA, AC,AJ ,AL,A N	1
-581	113T2255-10		.FITTING ASSY-BEAM (9-10)	Z,AB, AD,AK ,AM,A P	1
584	BACB30MR8K27		ATTACHING PARTS .BOLT- (PRE SB 767-27A0176)	Y-AD, AN-AP	2
-584A	BACB30LE8K30		.BOLT	AJ-AM	2
R -584B	BACB30LE8K27		.BOLT- (OPT ITEM 584C) (POST SB 767-27A0176)	Y-AD, AN-AP	2
R -584C	BACB30US8K27		.BOLT- (OPT ITEM 584B) (POST SB 767-27A0176)	Y-AD, AN-AP	2
587	BACW10BP8CD		.WASHER	Y-AD, AN-AP	2
-587A	K29913-8		.WASHER- (V15653) (SPEC BACW10CA8CC) (OPT 70191-8 (V56878)) (OPT 922008-8 (V60119)) (OPT 942008-8 (V60119))	AJ-AM	2

# 57-53-27

 ILLUSTRATED PARTS LIST  
 01.101 Page 1064J  
 Mar 01/05




**BOEING**  
 COMPONENT  
 MAINTENANCE MANUAL

FIG. & ITEM	PART NO.	AIRLINE PART NUMBER	NOMENCLATURE 1234567	EFF CODE	QTY PER ASSY
R 08-589	BACW10BP8APU		.WASHER- (POST SB 767-27A0176)	Y-AD, AN-AP	AR
590	BACW10BP8DP		.WASHER	Y-AD, AN-AP	2
-590A	K29646-8		.WASHER- (V15653) (SPEC BACW10CA8CV) (OPT 70188-8 (V56878)) (OPT 922007-8 (V60119)) (OPT 942007-8 (V60119))	AJ-AM	2
R -591	NAS1149E0832R		.WASHER- (POST SB 767-27A0176)	Y-AD, AN-AP	AR
R -592	NAS1149E0863R		.WASHER- (POST SB 767-27A0176)	Y-AD, AN-AP	AR
593	113T2207-9		.SHIM	Y-AD, AJ-AP	1
596	113T2207-10		.FILLER	Y-AD, AJ-AP	1
599	NAS1804-8		.NUT- (OPT ITEM 599A) (PRE SB 767-27A0176)	Y-AD, AN-AP	2
R -599A	NAS1805-8L		.NUT- (OPT ITEM 599) (PRE SB 767-27A0176)	Y-AD, AN-AP	2

57-53-27

 ILLUSTRATED PARTS LIST  
 01.101 Page 1064K  
 Mar 01/05

FIG. & ITEM	PART NO.	AIRLINE PART NUMBER	NOMENCLATURE 1234567	EFF CODE	QTY PER ASSY
R 08- -599B R -599C	NAS1804-8 BMN10HRCWD3-8		.NUT .NUT- (V97928) (SPEC BACN10HR8CD) (OPT H51560-8 (V15653)) (OPT 67832CD820 (V56878)) (OPT 102LH9031-8 (V72962)) (OPT BH00303CM8 (V27238)) (OPT BMN5024CWD38 (V97928)) (OPT CR60308 (V62554)) (OPT SL7108C8 (V11815)) (OPT VCU0005D8 (V06710)) (OPT 102LH90318 (V72962)) (OPT 67832CD8 (V56878)) (POST SB 767-27A0176) -----*-----	AJ-AM Y-AD, AN-AP	2 2
602	113T2104-22		..BUSHING	Y-AD, AJ-AP	2
605	113T2104-24		..BUSHING	Y-AD, AJ-AP	1
608	113T2255-11		..FITTING	Y,AA, AC,AJ ,AL,A N	1

57-53-27

 ILLUSTRATED PARTS LIST  
 01.101 Page 1064L  
 Mar 01/05


**BOEING**  
 COMPONENT  
 MAINTENANCE MANUAL

FIG. & ITEM	PART NO.	AIRLINE PART NUMBER	NOMENCLATURE 1234567	EFF CODE	QTY PER ASSY
08- -611	113T2255-12		..FITTING	Z,AB, AD,AK ,AM,A P	1
614	113T2255-13		..FITTING	Y,AA, AC,AJ ,AL,A N	1
-617	113T2255-14		..FITTING	Z,AB, AD,AK ,AM,A P	1
620	HL10VAZ8-7		ATTACHING PARTS ..BOLT- (V60516) (SPEC BACB30MY8K7) (OPT B30MY8K7 (V97928))	Y-AD, AJ-AP	1
623	HL10VAZ8-13		..BOLT- (V60516) (SPEC BACB30MY8K13) (OPT B30MY8K13 (V97928))	Y-AD, AJ-AP	1
626	HL10VAZ10-20		..BOLT- (V60516) (SPEC BACB30MY10K20) (OPT B30MY10K20 (V97928))	Y-AD, AJ-AP	1
629	HL79-8		..COLLAR- (V5M902) (SPEC BACC30M8) (OPT HL79-8 (V73197)) (OPT HL79-8 (V92215)) (OPT 66014-8 (V56878)) (OPT HL79-8 (V56878))	Y-AD, AJ-AP	2

57-53-27

 ILLUSTRATED PARTS LIST  
 01.101 Page 1064M  
 Mar 01/05

FIG. & ITEM	PART NO.	AIRLINE PART NUMBER	NOMENCLATURE 1234567	EFF CODE	QTY PER ASSY
08-632	HL79-10		. . COLLAR- (V5M902) (SPEC BACC30M10) (OPT HL79-10 (V73197)) (OPT HL79-10 (V92215)) (OPT 66014-10 (V56878)) (OPT HL79-10 (V56878)) -----*	Y-AD, AJ-AP	1
635	113T2111-1		. SUPPORT ASSY-SEAL	Y,AA, AC,AE ,AG,A J,AL, AN,AQ	1
-638	113T2111-2		. SUPPORT ASSY-SEAL	Z,AB, AD,AF ,AH,A K,AM, AP,AR	1
641	HL10VAZ6-2		ATTACHING PARTS . BOLT- (V60516) (SPEC BACB30MY6K2) (OPT B30MY6K2 (V97928))	Y-AR	4
644	HL10VAZ6-3		. BOLT- (V60516) (SPEC BACB30MY6K3) (OPT B30MY6K3 (V97928))	Y-AR	1

# 57-53-27

 ILLUSTRATED PARTS LIST  
 01.101 Page 1064N  
 Mar 01/05

**BOEING**  
 COMPONENT  
 MAINTENANCE MANUAL

FIG. & ITEM	PART NO.	AIRLINE PART NUMBER	NOMENCLATURE 1234567	EFF CODE	QTY PER ASSY
08-647	HL79-6		.COLLAR- (V5M902) (SPEC BACC30M6) (OPT HL79-6 (V73197)) (OPT HL79-6 (V92215)) (OPT 66014-6 (V56878)) (OPT HL79-6 (V56878)) -----*	Y-AR	5
650	113T2111-5		..BRACKET	Y,AA, AC,AE ,AG,A J,AL, AN,AQ	1
-653	113T2111-6		..BRACKET	Z,AB, AD,AF ,AH,A K,AM, AP,AR	1
656	BACR15BB6AD		ATTACHING PARTS ..RIVET- (SIZE DETERMINE ON INST) -----*	Y-AR	1
659	113T2111-7		..SUPPORT	Y,AA, AC,AE ,AG,A J,AL, AN,AQ	1

**57-53-27**

ILLUSTRATED PARTS LIST  
 01.101 Page 10640  
 Mar 01/05

FIG. & ITEM	PART NO.	AIRLINE PART NUMBER	NOMENCLATURE 1234567	EFF CODE	QTY PER ASSY
08- -662	113T2111-8		..SUPPORT	Z,AB, AD,AF ,AH,A K,AM, AP,AR	1
665	BACB30LK3-4		ATTACHING PARTS ..BOLT	Y-AR	3
668	AN960PD10		..WASHER -----*-----	Y-AR	3
671	BACN10JQ32		..NUTPLATE ATTACHING PARTS	Y-AR	3
674	BACR15BA3AD		..RIVET- (SIZE DETERMINE ON INST) -----*-----	Y-AR	6
677	113T2111-3		..ANGLE	Y,AA, AC,AE ,AG,A J,AL, AN,AQ	1
-680	113T2111-4		..ANGLE	Z,AB, AD,AF ,AH,A K,AM, AP,AR	1
-683	113T2220-45		.SPAR INSTL-FRONT	Y,AA, AC,AE ,AG,A J,AL, AN,AQ	1
-686	113T2220-46		.SPAR INSTL-FRONT	Z,AB, AD,AF ,AH,A K,AM, AP,AR	1
689	113T2220-25		..STIFFENER	Y-AR	1
692	113T2220-35		..STIFFENER	Y-AR	3
695	113T2220-23		..STIFFENER	Y-AR	3
698	113T2220-13		..STIFFENER	Y-AR	2
701	113T2220-19		..STIFFENER	Y-AR	2
704	113T2220-27		..STIFFENER	Y-AR	1
707	113T2220-31		..STIFFENER	Y-AR	2
710	113T2220-11		..STIFFENER	Y-AR	5
713	113T2220-29		..STIFFENER	Y-AR	1
716	113T2220-21		..STIFFENER	Y-AR	3
719	113T2220-17		..STIFFENER	Y-AR	1

57-53-27

 ILLUSTRATED PARTS LIST  
 01.101 Page 1064P  
 Mar 01/05


**BOEING**  
 COMPONENT  
 MAINTENANCE MANUAL

FIG. & ITEM	PART NO.	AIRLINE PART NUMBER	NOMENCLATURE 1234567	EFF CODE	QTY PER ASSY
08-722	113T2220-15		..STIFFENER ATTACHING PARTS	Y-AR	1
725	BACR15FT6KE		..RIVET- (SIZE DETERMINE ON INST)	Y-AR	3
728	BACR15FT6AD		..RIVET- (SIZE DETERMINE ON INST)	Y-AR	45
731	BACR15FT6KE		..RIVET- (SIZE DETERMINE ON INST)	Y-AR	15
734	HL10VAZ6-3		..BOLT- (V60516) (SPEC BACB30MY6K3) (OPT B30MY6K3 (V97928))	Y-AR	34
737	HL10VAZ6-4		..BOLT- (V60516) (SPEC BACB30MY6K4) (OPT B30MY6K4 (V97928))	Y-AR	4
740	L8006K6		..BOLT- (V06725) (SPEC BACB30MY6K6) (OPT L800-6-6 (V97928))	Y-AR	4
743	HL79-6		..COLLAR- (V5M902) (SPEC BACC30M6) (OPT HL79-6 (V73197)) (OPT HL79-6 (V92215)) (OPT 66014-6 (V56878)) (OPT HL79-6 (V56878)) -----*	Y-AR	42

57-53-27

 ILLUSTRATED PARTS LIST  
 01.101 Page 1064Q  
 Mar 01/05

FIG. & ITEM	PART NO.	AIRLINE PART NUMBER	NOMENCLATURE 1234567	EFF CODE	QTY PER ASSY
08-746	113T2256-1		..FITTING	Y,AA, AC,AE ,AG,A J,AL, AN,AQ	2
-749	113T2256-2		..FITTING	Z,AB, AD,AF ,AH,A K,AM, AP,AR	2
752	HL10VAZ8-8		ATTACHING PARTS ..BOLT- (V60516) (SPEC BACB30MY8K8) (OPT B30MY8K8 (V97928))	Y-AR	4
755	HL10VAZ8-7		..BOLT- (V60516) (SPEC BACB30MY8K7) (OPT B30MY8K7 (V97928))	Y-AR	4
758	HL11VAZ8-8		..BOLT- (V56878) (SPEC BACB30NW8K8) (OPT B30NW8K8 (V97928)) (OPT HL11VAZ8-8 (V73197)) (OPT HL11VAZ8-8 (V92215)) (OPT HL11VAZ8-8 (V97928)) (OPT L803-8K8 (V06725)) (OPT HL11VAZ8-8 (V0PTK6)) (OPT HL11VAZ8-8 (V60516))	Y-AR	6

57-53-27

 ILLUSTRATED PARTS LIST  
 01.101 Page 1064R  
 Mar 01/05




**BOEING**  
 COMPONENT  
 MAINTENANCE MANUAL

FIG. & ITEM	PART NO.	AIRLINE PART NUMBER	NOMENCLATURE 1234567	EFF CODE	QTY PER ASSY
08- -761 764	BACS40R020C025F HL79-8		..SHIM ..COLLAR- (V5M902) (SPEC BACC30M8) (OPT HL79-8 (V73197)) (OPT HL79-8 (V92215)) (OPT 66014-8 (V56878)) (OPT HL79-8 (V56878)) -----*	Y-AR Y-AR	2 14
767	113T2259-1		..FITTING-BACKUP ATTACHING PARTS	Y-AR	2
770	BACR15FT6AD		..RIVET- (SIZE DETERMINE ON INST)	Y-AR	6
773 776	BACB30NN4K9 HL10VAZ6-4		..BOLT ..BOLT- (V60516) (SPEC BACB30MY6K4) (OPT B30MY6K4 (V97928))	Y-AR Y-AR	2 4
779	HL79-6		..COLLAR- (V5M902) (SPEC BACC30M6) (OPT HL79-6 (V73197)) (OPT HL79-6 (V92215)) (OPT 66014-6 (V56878)) (OPT HL79-6 (V56878)) -----*	Y-AR	4

57-53-27

 ILLUSTRATED PARTS LIST  
 01.101 Page 1064S  
 Mar 01/05

FIG. & ITEM	PART NO.	AIRLINE PART NUMBER	NOMENCLATURE 1234567	EFF CODE	QTY PER ASSY
08-782	BACN10JQ44		..NUTPLATE ATTACHING PARTS	Y-AR	2
785	BACR15BA3AD		..RIVET- (SIZE DETERMINE ON INST) -----*-----	Y-AR	4
788	113T2220-41		..STRAP-UPR	Y,AA, AC,AE ,AG,A J,AL, AN,AQ	1
-791	113T2220-42		..STRAP-UPR	Z,AB, AD,AF ,AH,A K,AM, AP,AR	1
794	BACR15CE6KE		ATTACHING PARTS ..RIVET- (SIZE DETERMINE ON INST)	Y-AR	158
797	HL11VAZ8-5		..BOLT- (V60516) (SPEC BACB30NW8K5) (OPT B30NW8K5 (V97928)) (OPT HL11VAZ8-5 (V73197)) (OPT HL11VAZ8-5 (V92215)) (OPT HL11VAZ8-5 (V97928)) (OPT L803-8K5 (V06725)) (OPT HL11VAZ8-5 (V0PTK6)) (OPT HL11VAZ8-5 (V56878))	Y-AR	4

**57-53-27**

 ILLUSTRATED PARTS LIST  
 01.101 Page 1064T  
 Mar 01/05


**BOEING**  
 COMPONENT  
 MAINTENANCE MANUAL

FIG. & ITEM	PART NO.	AIRLINE PART NUMBER	NOMENCLATURE 1234567	EFF CODE	QTY PER ASSY
08-800	HL11VAZ6-5		..BOLT- (V60516) (SPEC BACB30NW6K5) (OPT HL11V6-5 (V92215)) (OPT HL11V6-5 (V97928)) (OPT L803-6-5 (V06725)) (OPT B30NW6K5 (V97928)) (OPT HL11VAZ6-5 (V73197)) (OPT HL11VAZ6-5 (V92215)) (OPT HL11VAZ6-5 (V56878))	Y-AR	54
806	BACB30NN3K6		..BOLT	Y-AR	129
809	HL79-8		..COLLAR- (V5M902) (SPEC BACC30M8) (OPT HL79-8 (V73197)) (OPT HL79-8 (V92215)) (OPT 66014-8 (V56878)) (OPT HL79-8 (V56878))	Y-AR	4
812	HL79-6		..COLLAR- (V5M902) (SPEC BACC30M6) (OPT HL79-6 (V73197)) (OPT HL79-6 (V92215)) (OPT 66014-6 (V56878)) (OPT HL79-6 (V56878)) -----*	Y-AR	74

57-53-27

 ILLUSTRATED PARTS LIST  
 01.101 Page 1064U  
 Mar 01/05

FIG. & ITEM	PART NO.	AIRLINE PART NUMBER	NOMENCLATURE 1234567	EFF CODE	QTY PER ASSY
08-815	113T2220-43		..STRAP-LWR	Y,AA, AC,AE ,AG,A J,AL, AN,AQ	1
-818	113T2220-44		..STRAP-LWR	Z,AB, AD,AF ,AH,A K,AM, AP,AR	1
821	BACB30NN3K6		ATTACHING PARTS ..BOLT -----*-----	Y-AR	275
824	BACB30NN3K6		..BOLT	Y-AR	1
827	BACB30LR3-8		..BOLT	Y-AR	3
830	HL11VAZ6-5		ATTACHING PARTS ..BOLT- (V60516) (SPEC BACB30NW6K5) (OPT HL11V6-5 (V92215)) (OPT HL11V6-5 (V97928)) (OPT L803-6-5 (V06725)) (OPT B30NW6K5 (V97928)) (OPT HL11VAZ6-5 (V73197)) (OPT HL11VAZ6-5 (V92215)) (OPT HL11VAZ6-5 (V56878))	Y-AR	12

57-53-27

 ILLUSTRATED PARTS LIST  
 01.101 Page 1064V  
 Mar 01/05


**BOEING**  
 COMPONENT  
 MAINTENANCE MANUAL

FIG. & ITEM	PART NO.	AIRLINE PART NUMBER	NOMENCLATURE 1234567	EFF CODE	QTY PER ASSY
08-833	HL79-6		..COLLAR- (V5M902) (SPEC BACC30M6) (OPT HL79-6 (V73197)) (OPT HL79-6 (V92215)) (OPT 66014-6 (V56878)) (OPT HL79-6 (V56878)) -----*	Y-AR	12
836	BACR15FT8AD		..RIVET- (SIZE DETERMINE ON INST)	Y-AR	5
839	BACR15FT6AD		..RIVET- (SIZE DETERMINE ON INST)	Y-AR	277
842	BACR15FT6KE		..RIVET- (SIZE DETERMINE ON INST)	Y-AR	76
845	HL10VAZ6-4		..BOLT- (V60516) (SPEC BACB30MY6K4) (OPT B30MY6K4 (V97928))	Y-AR	16
848	HL10VAZ6-3		..BOLT- (V60516) (SPEC BACB30MY6K3) (OPT B30MY6K3 (V97928))	Y-AR	14
851	HL79-6		..COLLAR- (V5M902) (SPEC BACC30M6) (OPT HL79-6 (V73197)) (OPT HL79-6 (V92215)) (OPT 66014-6 (V56878)) (OPT HL79-6 (V56878))	Y-AR	30

57-53-27

 ILLUSTRATED PARTS LIST  
 01.101 Page 1064W  
 Mar 01/05

FIG. & ITEM	PART NO.	AIRLINE PART NUMBER	NOMENCLATURE 1234567	EFF CODE	QTY PER ASSY
08-854	113T2220-3		..WEB	Y,AA, AC,AE ,AG,A J,AL, AN,AQ	1
-857	113T2220-4		..WEB	Z,AB, AD,AF ,AH,A K,AM, AP,AR	1
860	113T2220-9		..DOUBLER	Y-AR	1
863	113T2220-10		..DOUBLER	Y-AR	1
866	NS103191-02-4		..NUTPLATE- (V80539) (SPEC BACN10KE3B4) (OPT RMF9213-4-3 (V72962)) (OPT F51750-3-4 (V15653)) (OPT BRFR220A3-4 (V52828))	Y-AR	261
869	NS103191-02-4		..NUTPLATE- (V80539) (SPEC BACN10KE3B4) (OPT RMF9213-4-3 (V72962)) (OPT F51750-3-4 (V15653)) (OPT BRFR220A3-4 (V52828))	Y-AR	1

57-53-27

 ILLUSTRATED PARTS LIST  
 01.101 Page 1064X  
 Mar 01/05


**BOEING**  
 COMPONENT  
 MAINTENANCE MANUAL

FIG. & ITEM	PART NO.	AIRLINE PART NUMBER	NOMENCLATURE 1234567	EFF CODE	QTY PER ASSY
08-872	NS103191-02-6		..NUTPLATE- (V80539) (SPEC BACN10KE3B6) (OPT RMF9213-6-3 (V72962)) (OPT F51750-3-6 (V15653)) (OPT BRFR220A3-6 (V52828))	Y-AR	3
875	NS103191-02-2		..NUTPLATE- (V80539) (SPEC BACN10KE3B2) (OPT RMF9213-2-3 (V72962)) (OPT F51750-3-2 (V15653)) (OPT BRFR220A3-2 (V52825)) ATTACHING PARTS	Y-AR	143
878	BACR15BA3AD		..RIVET- (SIZE DETERMINE ON INST) -----*-----	Y-AR	808
881	113T2221-5		..CHORD-UPR	Y,AA, AC,AE ,AG,A J,AL, AN,AQ	1
-884	113T2221-6		..CHORD-UPR	Z,AB, AD,AF ,AH,A K,AM, AP,AR	1
887	113T2221-7		..CHORD-LWR	Y,AA, AC,AE ,AG,A J,AL, AN,AQ	1
-890	113T2221-8		..CHORD-LWR	Z,AB, AD,AF ,AH,A K,AM, AP,AR	1

57-53-27

 ILLUSTRATED PARTS LIST  
 01.101 Page 1064Y  
 Mar 01/05

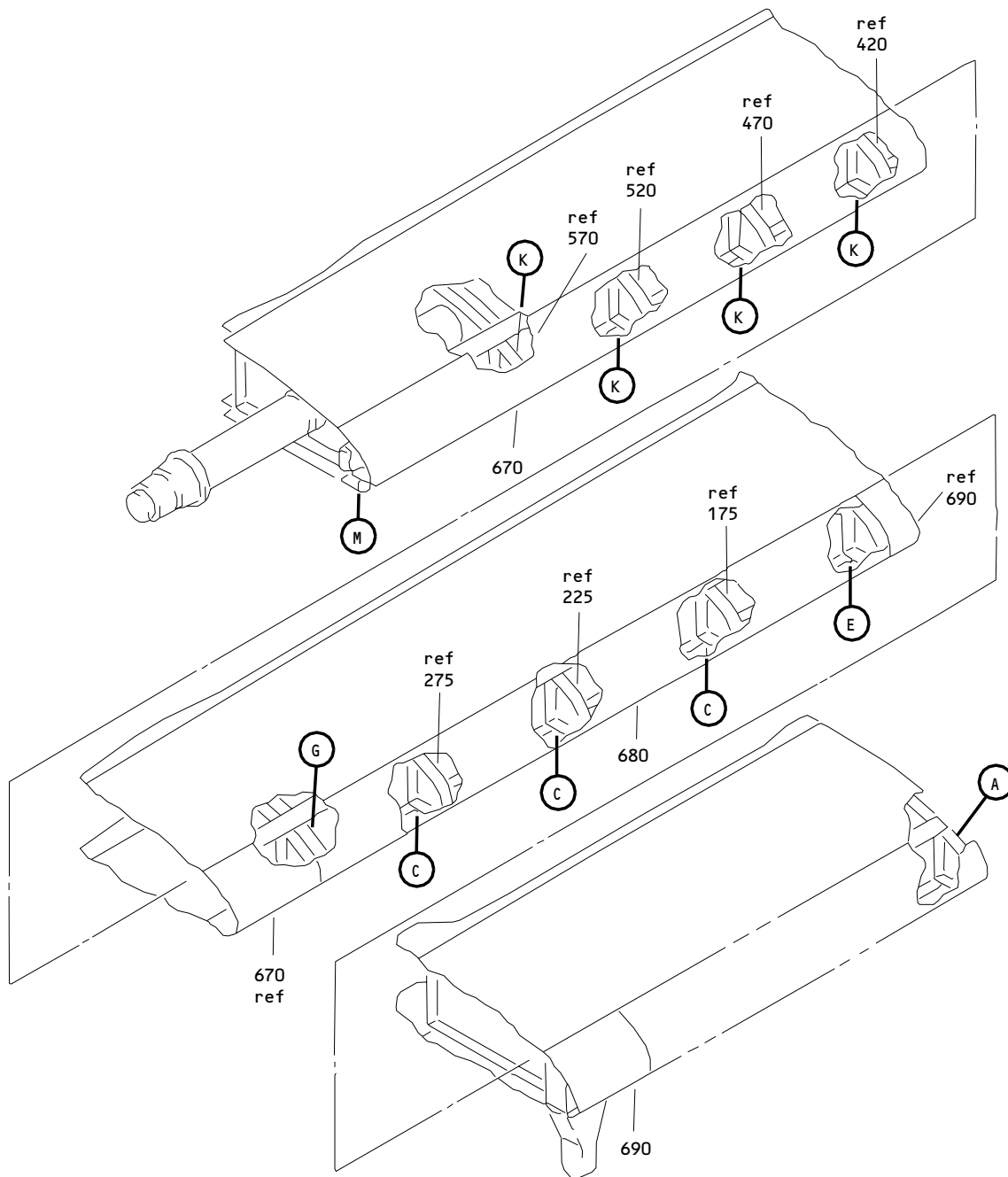
FIG. & ITEM	PART NO.	AIRLINE PART NUMBER	NOMENCLATURE 1234567	EFF CODE	QTY PER ASSY
08-893	113T2240-15		.PANEL ASSY-UPR	Y,AA, AC,AE ,AG,A J,AL, AN,AQ	1
-896	113T2240-16		.PANEL ASSY-UPR	Z,AB, AD,AF ,AH,A K,AM, AP,AR	1
899	113T2241-15		.PANEL ASSY-LWR	Y,AA, AC,AE ,AG,A J,AL, AN,AQ	1
-902	113T2241-16		.PANEL ASSY-LWR	Z,AB, AD,AF ,AH,A K,AM, AP,AR	1
-905	113T2207-23		.LEADING EDGE INSTL- (FOR DETAILS DEE FIG. 9)	Y,AA, AC,AE ,AG,A J,AL, AN,AQ	1
-908	113T2207-24		.LEADING EDGE INSTL- (FOR DETAILS SEE FIG. 9)	Z,AB, AD,AF ,AH,A K,AM, AP,AR	1

- Item Not Illustrated

# 57-53-27

ILLUSTRATED PARTS LIST  
 01.101 Page 1064Z  
 Mar 01/05

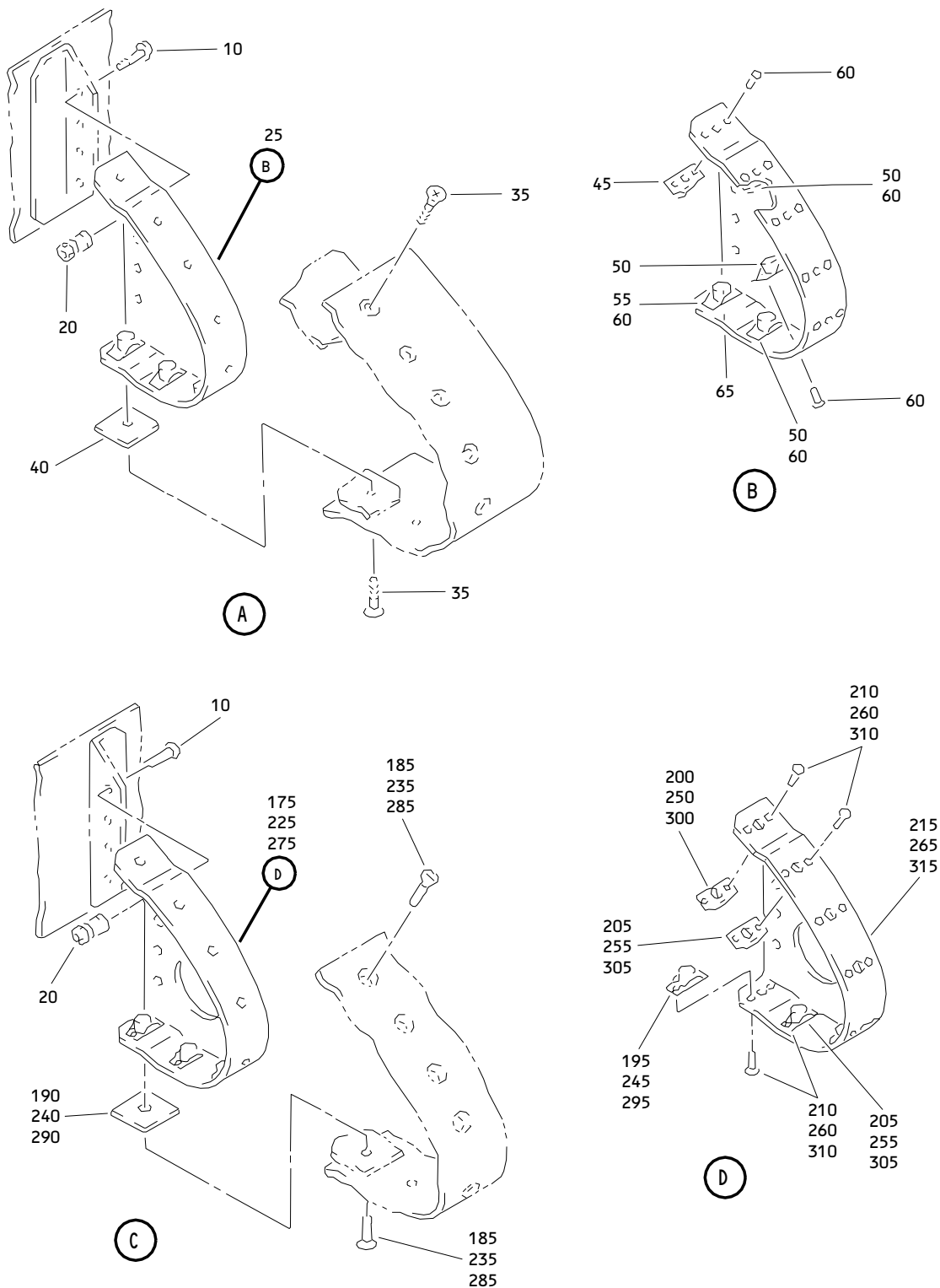




Leading Edge Installation  
 Figure 9 (Sheet 1)

**57-53-27**

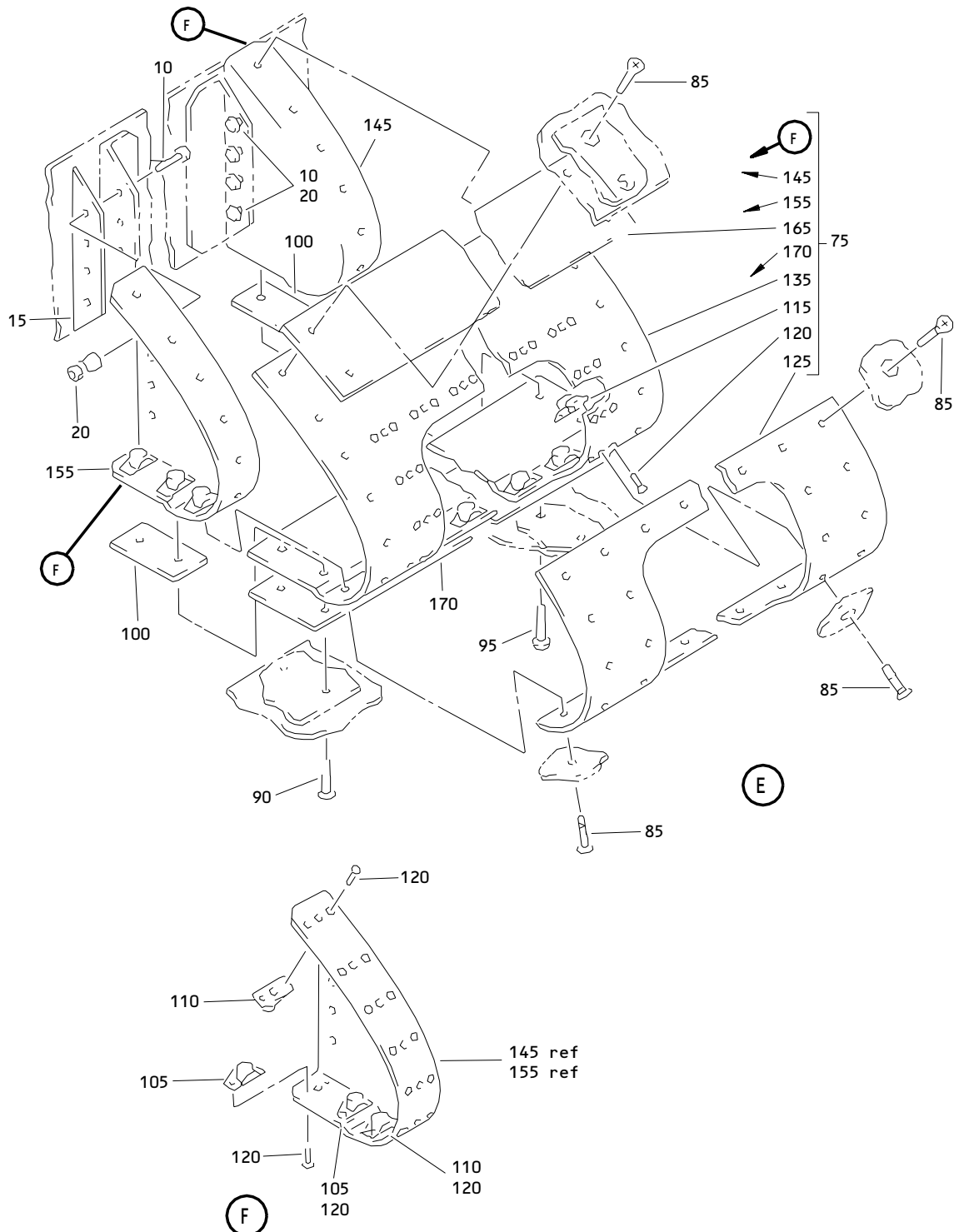
ILLUSTRATED PARTS LIST  
 01.101 Page 1066  
 Mar 01/05



Leading Edge Installation  
 Figure 9 (Sheet 2)

**57-53-27**

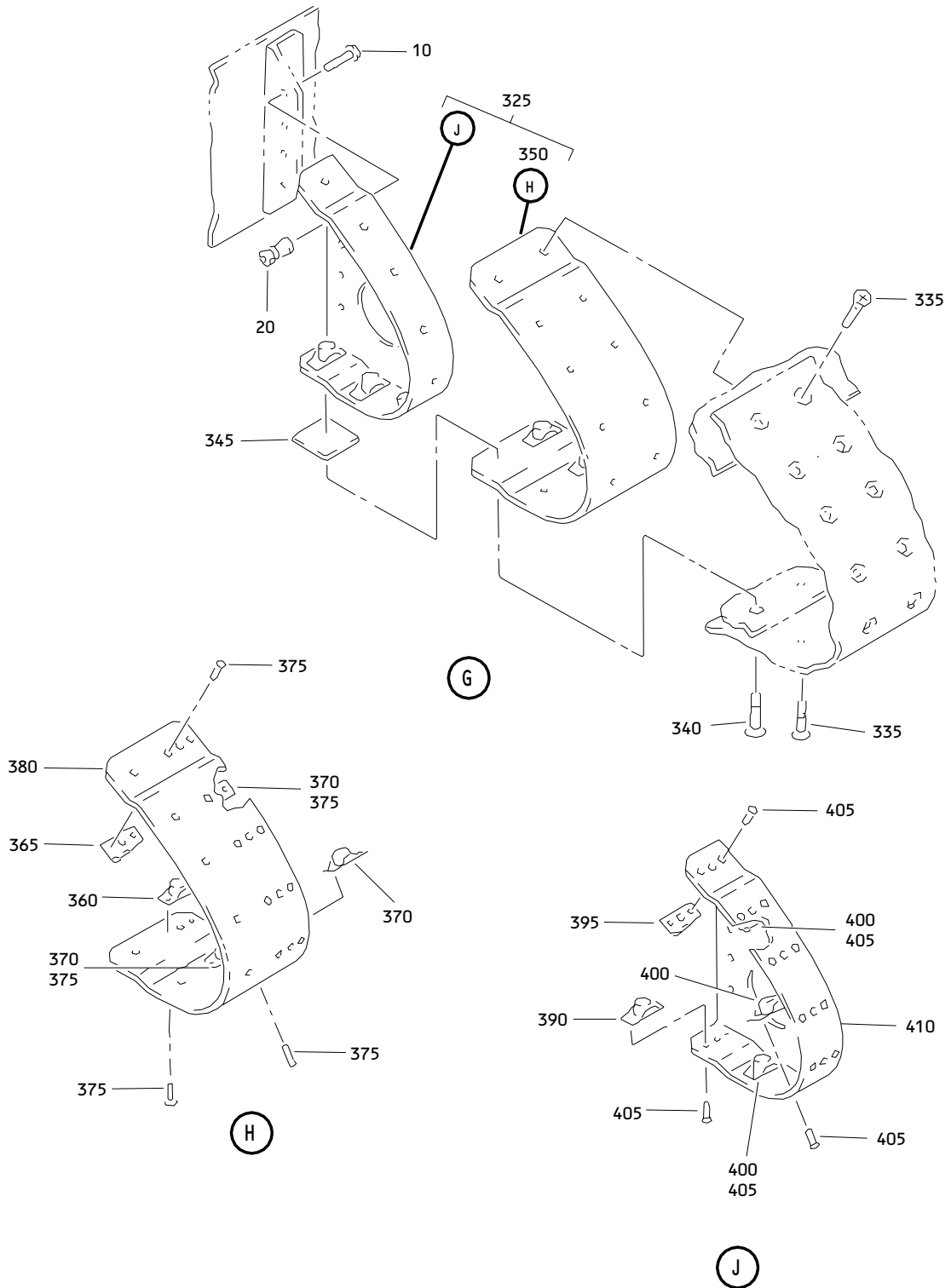
ILLUSTRATED PARTS LIST  
 01.101 Page 1066A  
 Mar 01/05



Leading Edge Installation  
 Figure 9 (Sheet 3)

**57-53-27**

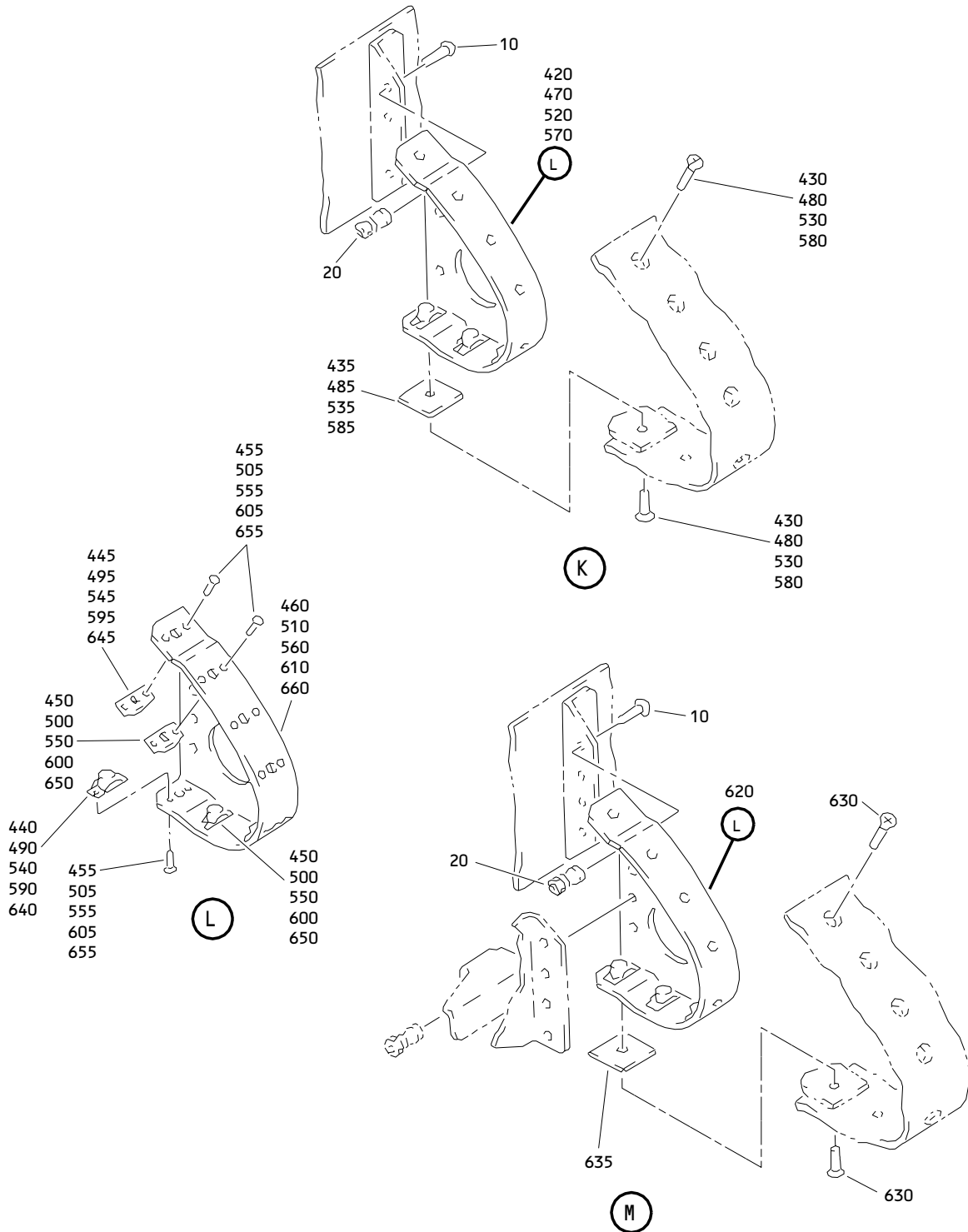
ILLUSTRATED PARTS LIST  
 01.101 Page 1066B  
 Mar 01/05



Leading Edge Installation  
 Figure 9 (Sheet 4)

**57-53-27**

ILLUSTRATED PARTS LIST  
 01.101 Page 1066C  
 Mar 01/05



Leading Edge Installation  
 Figure 9 (Sheet 5)

**57-53-27**

ILLUSTRATED PARTS LIST  
 01.101 Page 1066D  
 Mar 01/05


**BOEING**  
 COMPONENT  
 MAINTENANCE MANUAL

FIG. & ITEM	PART NO.	AIRLINE PART NUMBER	NOMENCLATURE 1234567	EFF CODE	QTY PER ASSY
09- -1	113T2207-23		LEADING EDGE INSTL	Y,AA, AC,AE ,AG,A J,AL, AN,AQ	RF
-5	113T2207-24		LEADING EDGE INSTL	Z,AB, AD,AF ,AH,A K,AM, AP,AR Y-AR	RF
10	HL10VAZ6-3		.BOLT- (V60516) (SPEC BACB30MY6K3) (OPT B30MY6K3 (V97928))		47
15 20	113T2207-11 HL79-6		.SHIM .COLLAR- (V5M902) (SPEC BACC30M6) (OPT HL79-6 (V73197)) (OPT HL79-6 (V92215)) (OPT 66014-6 (V56878)) (OPT HL79-6 (V56878))	Y-AR Y-AR	1 47
25	113T2212-5		.RIB ASSY-NOSE	Y,AA, AC,AE ,AG,A J,AL, AN,AQ	1

57-53-27

 ILLUSTRATED PARTS LIST  
 01.101 Page 1066E  
 Mar 01/05

FIG. & ITEM	PART NO.	AIRLINE PART NUMBER	NOMENCLATURE 1234567	EFF CODE	QTY PER ASSY
09-30	113T2212-6		.RIB ASSY-NOSE	Z,AB, AD,AF ,AH,A K,AM, AP,AR	1
35	BACB30NN3K6		ATTACHING PARTS .BOLT	Y-AR	8
40	BACS40R09C12F		.SHIM	Y-AR	1
			-----*-----		
45	BRFM22A3-3		..NUTPLATE- (V52828) (SPEC BACN10JQ33) (OPT MF19058-3-3BAC (V15653))	Y-AR	1
50	BRFM22A4-3		..NUTPLATE- (V52828) (SPEC BACN10JQ34) (OPT MF19058-3-4BAC (V15653))	Y-AR	6
55	BACN10JQ32		..NUTPLATE	Y-AR	1
60	BACR15BA3AD		ATTACHING PARTS ..RIVET- (SIZE DETERMINE ON INST)	Y-AR	16
			-----*-----		
65	113T2212-27		..RIB	Y,AA, AC,AE ,AG,A J,AL, AN,AQ	1
-70	113T2212-28		..RIB	Z,AB, AD,AF ,AH,A K,AM, AP,AR	1

57-53-27

 ILLUSTRATED PARTS LIST  
 01.101 Page 1066F  
 Mar 01/05


**BOEING**  
 COMPONENT  
 MAINTENANCE MANUAL

FIG. & ITEM	PART NO.	AIRLINE PART NUMBER	NOMENCLATURE 1234567	EFF CODE	QTY PER ASSY
09-75	113T2207-5		.DOUBLER ASSY-LE RIB	Y,AA, AC,AE ,AG,A J,AL, AN,AQ	1
-80	113T2207-6		.DOUBLER ASSY-LE RIB	Z,AB, AD,AF ,AH,A K,AM, AP,AR	1
85	BACB30NN3K6		ATTACHING PARTS .BOLT	Y-AR	40
90	BACB30NN4K7		.BOLT	Y-AR	2
95	BACB30LK3-7		.BOLT	Y-AR	1
100	BACS40R12C20F		.SHIM	Y-AR	2
			-----*-----		
105	BACN10JQ42		..NUTPLATE	Y-AR	2
110	BACN10JQ32		..NUTPLATE	Y-AR	16
115	BRFM22A3-3		..NUTPLATE- (V52828) (SPEC BACN10JQ33) (OPT MF19058-3-3BAC (V15653))	Y-AR	26
			ATTACHING PARTS		
120	BACR15BA3AD		..RIVET- (SIZE DETERMINE ON INST)	Y-AR	88
			-----*-----		
125	113T2212-57		..FILLER	Y,AA, AC,AE ,AG,A J,AL, AN,AQ	1
-130	113T2212-58		..FILLER	Z,AB, AD,AF ,AH,A K,AM, AP,AR	1
135	113T2212-61		..DOUBLER	Y,AA, AC,AE ,AG,A J,AL, AN,AQ	1

57-53-27

 ILLUSTRATED PARTS LIST  
 01.101 Page 1066G  
 Mar 01/05



FIG. & ITEM	PART NO.	AIRLINE PART NUMBER	NOMENCLATURE 1234567	EFF CODE	QTY PER ASSY
09- -140	113T2212-62		..DOUBLER	Z,AB, AD,AF ,AH,A K,AM, AP,AR	1
145	113T2212-55		..RIB-NOSE	Y,AA, AC,AE ,AG,A J,AL, AN,AQ	1
-150	113T2212-56		..RIB-NOSE	Z,AB, AD,AF ,AH,A K,AM, AP,AR	1
155	113T2212-3		..RIB-NOSE	Y,AA, AC,AE ,AG,A J,AL, AN,AQ	1
-160	113T2212-4		..RIB-NOSE	Z,AB, AD,AF ,AH,A K,AM, AP,AR	1
165	113T2212-67		..DOUBLER	Y-AR	1
170	113T2212-69		..DOUBLER	Y-AR	1
175	113T2212-11		.RIB ASSY-NOSE	Y,AA, AC,AE ,AG,A J,AL, AN,AQ	1

**57-53-27**

 ILLUSTRATED PARTS LIST  
 01.101 Page 1066H  
 Mar 01/05

**BOEING**  
 COMPONENT  
 MAINTENANCE MANUAL

FIG. & ITEM	PART NO.	AIRLINE PART NUMBER	NOMENCLATURE 1234567	EFF CODE	QTY PER ASSY
09- -180	113T2212-12		.RIB ASSY-NOSE	Z,AB, AD,AF ,AH,A K,AM, AP,AR	1
185	BACB30NN3K6		ATTACHING PARTS .BOLT	Y-AR	8
190	BACS4OR09C12F		.SHIM -----*-----	Y-AR	1
195	BACN10JQ32		..NUTPLATE	Y-AR	1
200	BRFM22A3-3		..NUTPLATE- (V52828) (SPEC BACN10JQ33) (OPT MF19058-3-3BAC (V15653))	Y-AR	1
205	BRFM22A4-3		..NUTPLATE- (V52828) (SPEC BACN10JQ34) (OPT MF19058-3-4BAC (V15653))	Y-AR	6
210	BACR15BA3AD		ATTACHING PARTS ..RIVET- (SIZE DETERMINE ON INST) -----*-----	Y-AR	16
215	113T2212-33		..RIB	Y,AA, AC,AE ,AG,A J,AL, AN,AQ	1

**57-53-27**

ILLUSTRATED PARTS LIST  
 01.101 Page 1066I  
 Mar 01/05

FIG. & ITEM	PART NO.	AIRLINE PART NUMBER	NOMENCLATURE 1234567	EFF CODE	QTY PER ASSY
09- -220	113T2212-34		..RIB	Z,AB, AD,AF ,AH,A K,AM, AP,AR	1
225	113T2212-13		.RIB ASSY-NOSE	Y,AA, AC,AE ,AG,A J,AL, AN,AQ	1
-230	113T2212-14		.RIB ASSY-NOSE	Z,AB, AD,AF ,AH,A K,AM, AP,AR	1
235	BACB30NN3K6		ATTACHING PARTS .BOLT	Y-AR	8
240	BACS40R09C12F		.SHIM	Y-AR	1
			-----*		
245	BACN10JQ32		..NUTPLATE	Y-AR	1
250	BRFM22A3-3		..NUTPLATE- (V52828) (SPEC BACN10JQ33) (OPT MF19058-3-3BAC (V15653))	Y-AR	1
255	BRFM22A4-3		..NUTPLATE- (V52828) (SPEC BACN10JQ34) (OPT MF19058-3-4BAC (V15653))	Y-AR	6
260	BACR15BA3AD		ATTACHING PARTS ..RIVET- (SIZE DETERMINE ON INST)	Y-AR	16
			-----*		
265	113T2212-35		..RIB	Y,AA, AC,AE ,AG,A J,AL, AN,AQ	1

57-53-27

 ILLUSTRATED PARTS LIST  
 01.101 Page 1066J  
 Mar 01/05

**BOEING**  
 COMPONENT  
 MAINTENANCE MANUAL

FIG. & ITEM	PART NO.	AIRLINE PART NUMBER	NOMENCLATURE 1234567	EFF CODE	QTY PER ASSY
09- -270	113T2212-36		..RIB	Z,AB, AD,AF ,AH,A K,AM, AP,AR	1
275	113T2212-15		.RIB ASSY-NOSE	Y,AA, AC,AE ,AG,A J,AL, AN,AQ	1
-280	113T2212-16		.RIB ASSY-NOSE	Z,AB, AD,AF ,AH,A K,AM, AP,AR	1
285	BACB30NN3K6		ATTACHING PARTS .BOLT	Y-AR	8
290	BACS40R09C12F		.SHIM	Y-AR	1
			-----*		
295	BACN10JQ32		..NUTPLATE	Y-AR	1
300	BRFM22A3-3		..NUTPLATE- (V52828) (SPEC BACN10JQ33) (OPT MF19058-3-3BAC (V15653))	Y-AR	1
305	BRFM22A4-3		..NUTPLATE- (V52828) (SPEC BACN10JQ34) (OPT MF19058-3-4BAC (V15653))	Y-AR	6
310	BACR15BA3AD		ATTACHING PARTS ..RIVET- (SIZE DETERMINE ON INST)	Y-AR	16
			-----*		
315	113T2212-37		..RIB-NOSE	Y,AA, AC,AE ,AG,A J,AL, AN,AQ	1
-320	113T2212-38		..RIB-NOSE	Z,AB, AD,AF ,AH,A K,AM, AP,AR	1

**57-53-27**

ILLUSTRATED PARTS LIST  
 01.101 Page 1066K  
 Mar 01/05

FIG. & ITEM	PART NO.	AIRLINE PART NUMBER	NOMENCLATURE 1234567	EFF CODE	QTY PER ASSY
09-325	113T2207-7		.PLATE ASSY-LE RIB SPLICE	Y,AA, AC,AE ,AG,A J,AL, AN,AQ	1
-330	113T2207-8		.PLATE ASSY-LE RIB SPLICE	Z,AB, AD,AF ,AH,A K,AM, AP,AR	1
			ATTACHING PARTS		
335	BACB30NN3K6		.BOLT	Y-AR	15
340	BACB30NN4K7		.BOLT	Y-AR	1
345	BACS40R11C12F		.SHIM	Y-AR	1
			-----*-----		
350	113T2212-63		..PLATE ASSY-SPLICE	Y,AA, AC,AE ,AG,A J,AL, AN,AQ	1
-355	113T2212-64		..PLATE ASSY-SPLICE	Z,AB, AD,AF ,AH,A K,AM, AP,AR	1
360	BACN10JQ32		...NUTPLATE	Y-AR	1
365	BRFM22A3-3		...NUTPLATE- (V52828) (SPEC BACN10JQ33) (OPT MF19058-3-3BAC (V15653))	Y-AR	1

57-53-27

 ILLUSTRATED PARTS LIST  
 01.101 Page 1066L  
 Mar 01/05


**BOEING**  
 COMPONENT  
 MAINTENANCE MANUAL

FIG. & ITEM	PART NO.	AIRLINE PART NUMBER	NOMENCLATURE 1234567	EFF CODE	QTY PER ASSY
09-370	BRFM22A4-3		...NUTPLATE- (V52828) (SPEC BACN10JQ34) (OPT MF19058-3-4BAC (V15653)) ATTACHING PARTS	Y-AR	6
375	BACR15BA3AD		...RIVET- (SIZE DETERMINE ON INST) -----*-----	Y-AR	16
380	113T2212-65		...PLATE	Y,AA, AC,AE ,AG,A J,AL, AN,AQ	1
-385	113T2212-66		...PLATE	Z,AB, AD,AF ,AH,A K,AM, AP,AR	1
390	BACN10JQ42		..NUTPLATE	Y-AR	1
395	BACN10JQ32		..NUTPLATE	Y-AR	1
400	BRFM22A3-3		..NUTPLATE- (V52828) (SPEC BACN10JQ33) (OPT MF19058-3-3BAC (V15653)) ATTACHING PARTS	Y-AR	6
405	BACR15BA3AD		..RIVET- (SIZE DETERMINE ON INST) -----*-----	Y-AR	16
410	113T2212-51		..RIB	Y,AA, AC,AE ,AG,A J,AL, AN,AQ	1

57-53-27

 ILLUSTRATED PARTS LIST  
 01.101 Page 1066M  
 Mar 01/05

FIG. & ITEM	PART NO.	AIRLINE PART NUMBER	NOMENCLATURE 1234567	EFF CODE	QTY PER ASSY
09- -415	113T2212-52		..RIB	Z,AB, AD,AF ,AH,A K,AM, AP,AR	1
420	113T2212-17		.RIB ASSY-NOSE	Y,AA, AC,AE ,AG,A J,AL, AN,AQ	1
-425	113T2212-18		.RIB ASSY-NOSE	Z,AB, AD,AF ,AH,A K,AM, AP,AR	1
430	BACB30NN3K6		ATTACHING PARTS .BOLT	Y-AR	8
435	BACS40R09C12F		.SHIM -----*-----	Y-AR	1
440	BACN10JQ32		..NUTPLATE	Y-AR	1
445	BRFM22A3-3		..NUTPLATE- (V52828) (SPEC BACN10JQ33) (OPT MF19058-3-3BAC (V15653))	Y-AR	1
450	BRFM22A4-3		..NUTPLATE- (V52828) (SPEC BACN10JQ34) (OPT MF19058-3-4BAC (V15653)) ATTACHING PARTS	Y-AR	6

57-53-27

 ILLUSTRATED PARTS LIST  
 01.101 Page 1066N  
 Mar 01/05


**BOEING**  
 COMPONENT  
 MAINTENANCE MANUAL

FIG. & ITEM	PART NO.	AIRLINE PART NUMBER	NOMENCLATURE 1234567	EFF CODE	QTY PER ASSY
09-455	BACR15BA3AD		..RIVET- (SIZE DETERMINE ON INST) -----*-----	Y-AR	16
460	113T2212-39		..RIB	Y,AA, AC,AE ,AG,A J,AL, AN,AQ	1
-465	113T2212-40		..RIB	Z,AB, AD,AF ,AH,A K,AM, AP,AR	1
470	113T2212-19		.RIB ASSY-NOSE	Y,AA, AC,AE ,AG,A J,AL, AN,AQ	1
-475	113T2212-20		.RIB ASSY-NOSE	Z,AB, AD,AF ,AH,A K,AM, AP,AR	1
480	BACB30NN3K6		ATTACHING PARTS .BOLT	Y-AR	8
485	BACS40R09C12F		.SHIM -----*-----	Y-AR	1
490	BACN10JQ32		..NUTPLATE	Y-AR	1
495	BRFM22A3-3		..NUTPLATE- (V52828) (SPEC BACN10JQ33) (OPT MF19058-3-3BAC (V15653))	Y-AR	1
500	BRFM22A4-3		..NUTPLATE- (V52828) (SPEC BACN10JQ34) (OPT MF19058-3-4BAC (V15653)) ATTACHING PARTS	Y-AR	6

57-53-27

 ILLUSTRATED PARTS LIST  
 01.101 Page 10660  
 Mar 01/05



FIG. & ITEM	PART NO.	AIRLINE PART NUMBER	NOMENCLATURE 1234567	EFF CODE	QTY PER ASSY
09-505	BACR15BA3AD		..RIVET- (SIZE DETERMINE ON INST) -----*-----	Y-AR	16
510	113T2212-41		..RIB	Y,AA, AC,AE ,AG,A J,AL, AN,AQ	1
-515	113T2212-42		..RIB	Z,AB, AD,AF ,AH,A K,AM, AP,AR	1
520	113T2212-21		.RIB ASSY-NOSE	Y,AA, AC,AE ,AG,A J,AL, AN,AQ	1
-525	113T2212-22		.RIB ASSY-NOSE	Z,AB, AD,AF ,AH,A K,AM, AP,AR	1
530	BACB30NN3K6		ATTACHING PARTS .BOLT	Y-AR	8
535	BACS40R09C12F		.SHIM -----*-----	Y-AR	1
540	BACN10JQ32		..NUTPLATE	Y-AR	1
545	BRFM22A3-3		..NUTPLATE- (V52828) (SPEC BACN10JQ33) (OPT MF19058-3-3BAC (V15653))	Y-AR	1

57-53-27

 ILLUSTRATED PARTS LIST  
 01.101 Page 1066P  
 Mar 01/05

**BOEING**  
 COMPONENT  
 MAINTENANCE MANUAL

FIG. & ITEM	PART NO.	AIRLINE PART NUMBER	NOMENCLATURE 1234567	EFF CODE	QTY PER ASSY
09-550	BRFM22A4-3		..NUTPLATE- (V52828) (SPEC BACN10JQ34) (OPT MF19058-3-4BAC (V15653)) ATTACHING PARTS	Y-AR	6
555	BACR15BA3AD		..RIVET- (SIZE DETERMINE ON INST) -----*-----	Y-AR	16
560	113T2212-43		..RIB	Y,AA, AC,AE ,AG,A J,AL, AN,AQ	1
-565	113T2212-44		..RIB	Z,AB, AD,AF ,AH,A K,AM, AP,AR	1
570	113T2212-23		.RIB ASSY-NOSE	Y,AA, AC,AE ,AG,A J,AL, AN,AQ	1
-575	113T2212-24		.RIB ASSY-NOSE	Z,AB, AD,AF ,AH,A K,AM, AP,AR	1
			ATTACHING PARTS		

**57-53-27**

ILLUSTRATED PARTS LIST  
 01.101 Page 1066Q  
 Mar 01/05

FIG. & ITEM	PART NO.	AIRLINE PART NUMBER	NOMENCLATURE 1234567	EFF CODE	QTY PER ASSY
09-					
580	BACB30NN3K6		.BOLT	Y-AR	8
585	BACS40R09C12F		.SHIM	Y-AR	1
			-----*-----		
590	BACN10JQ32		..NUTPLATE	Y-AR	1
595	BRFM22A3-3		..NUTPLATE-	Y-AR	1
			(V52828)		
			(SPEC BACN10JQ33)		
			(OPT MF19058-3-3BAC		
			(V15653))		
600	BRFM22A4-3		..NUTPLATE-	Y-AR	6
			(V52828)		
			(SPEC BACN10JQ34)		
			(OPT MF19058-3-4BAC		
			(V15653))		
			ATTACHING PARTS		
605	BACR15BA3AD		..RIVET-	Y-AR	16
			(SIZE DETERMINE ON INST)		
			-----*-----		
610	113T2212-45		..RIB	Y,AA, AC,AE ,AG,A J,AL, AN,AQ	1
-615	113T2212-46		..RIB	Z,AB, AD,AF ,AH,A K,AM, AP,AR	1
620	113T2212-25		.RIB ASSY-NOSE	Y,AA, AC,AE ,AG,A J,AL, AN,AQ	1
-625	113T2212-26		.RIB ASSY-NOSE	Z,AB, AD,AF ,AH,A K,AM, AP,AR	1
			ATTACHING PARTS		

57-53-27

 ILLUSTRATED PARTS LIST  
 01.101 Page 1066R  
 Mar 01/05


**BOEING**  
 COMPONENT  
 MAINTENANCE MANUAL

FIG. & ITEM	PART NO.	AIRLINE PART NUMBER	NOMENCLATURE 1234567	EFF CODE	QTY PER ASSY
09-					
630	BACB30NN3K6		.BOLT	Y-AR	8
635	BACS40R09C12F		.SHIM -----*	Y-AR	1
640	BACN10JQ32		..NUTPLATE	Y-AR	1
645	BRFM22A3-3		..NUTPLATE- (V52828) (SPEC BACN10JQ33) (OPT MF19058-3-3BAC (V15653))	Y-AR	1
650	BRFM22A4-3		..NUTPLATE- (V52828) (SPEC BACN10JQ34) (OPT MF19058-3-4BAC (V15653)) ATTACHING PARTS	Y-AR	6
655	BACR15BA3AD		..RIVET- (SIZE DETERMINE ON INST) -----*	Y-AR	16
660	113T2212-47		..RIB	Y,AA, AC,AE ,AG,A J,AL, AN,AQ	1
-665	113T2212-48		..RIB	Z,AB, AD,AF ,AH,A K,AM, AP,AR	1
670	113T2211-1		.SKIN-LE INBD	Y,AA, AC,AE ,AG,A J,AL, AN,AQ	1
-675	113T2211-2		.SKIN-LE INBD	Z,AB, AD,AF ,AH,A K,AM, AP,AR	1
680	113T2211-3		.SKIN-LE CTR	Y,AA, AC,AE ,AG,A J,AL, AN,AQ	1

57-53-27

 ILLUSTRATED PARTS LIST  
 01.101 Page 1066S  
 Mar 01/05

FIG. & ITEM	PART NO.	AIRLINE PART NUMBER	NOMENCLATURE	EFF CODE	QTY PER ASSY
09-685	113T2211-4		.SKIN-LE CTR	Z,AB,AD,AF, AH,A, K,AM, AP,AR	1
690	113T2211-5		.DOOR-LE	Y,AA,AC,AE, AG,A, J,AL, AN,AQ	1
-695	113T2211-6		.DOOR-LE	Z,AB,AD,AF, AH,A, K,AM, AP,AR	1

- Item Not Illustrated

# 57-53-27

ILLUSTRATED PARTS LIST  
 01.101 Page 1066T  
 Mar 01/05